



US00D679305S

(12) **United States Design Patent**  
**Wu**

(10) **Patent No.:** **US D679,305 S**  
(45) **Date of Patent:** **\*\* Apr. 2, 2013**

(54) **INFRARED CAMERA**

(56) **References Cited**

(75) Inventor: **Jiping Wu**, Guangzhou (CN)  
(73) Assignee: **Guangzhou Sat Infrared Technology**  
(CN)

U.S. PATENT DOCUMENTS

D486,845	S	*	2/2004	Oka	.....	D16/202
D528,141	S	*	9/2006	Kinemura et al.	.....	D16/202
D557,300	S	*	12/2007	Wu	.....	D16/202
D559,879	S	*	1/2008	Sumita	.....	D16/202
D609,728	S	*	2/2010	Tashima	.....	D16/202
D629,434	S	*	12/2010	Kawahara	.....	D16/202
7,927,029	B2	*	4/2011	Fujii et al.	.....	396/448
8,010,311	B1	*	8/2011	Warnke et al.	.....	348/164

(\*\*) Term: **14 Years**

\* cited by examiner

(21) Appl. No.: **29/386,614**

*Primary Examiner* — Adir Aronovich

(22) Filed: **Mar. 3, 2011**

(74) *Attorney, Agent, or Firm* — Ballard Spahr LLP

(30) **Foreign Application Priority Data**

(57) **CLAIM**

I claim the ornamental design for an infrared camera, as shown and described.

Sep. 6, 2010 (CN) ..... 2010 3 0506719

Jan. 25, 2011 (EP) ..... 001810417-0001

**DESCRIPTION**

(51) **LOC (9) Cl.** ..... **16-01**

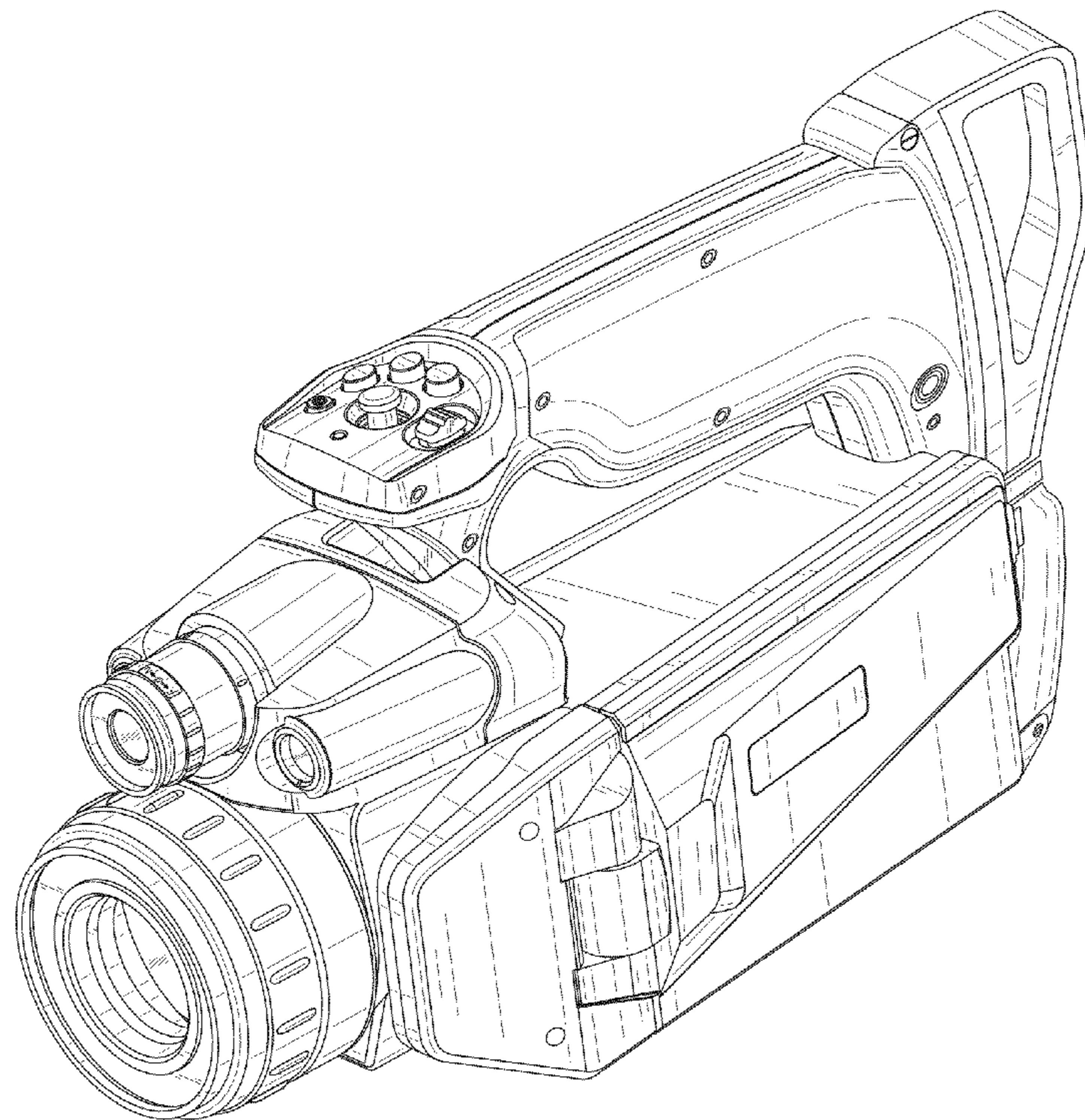
(52) **U.S. Cl.** ..... **D16/202**

(58) **Field of Classification Search** ..... D16/200–205,  
D16/208, 218; 348/164, 373; 358/906;  
396/535–541

FIG. 1 is a left side elevational view of an infrared camera showing my new design;  
FIG. 2 is a bottom plan view thereof;  
FIG. 3 is a top plan view thereof;  
FIG. 4 is a right side elevational view thereof;  
FIG. 5 is a rear elevational view thereof;  
FIG. 6 is a front elevational view thereof; and,  
FIG. 7 is a front and left side perspective view thereof.

See application file for complete search history.

**1 Claim, 4 Drawing Sheets**



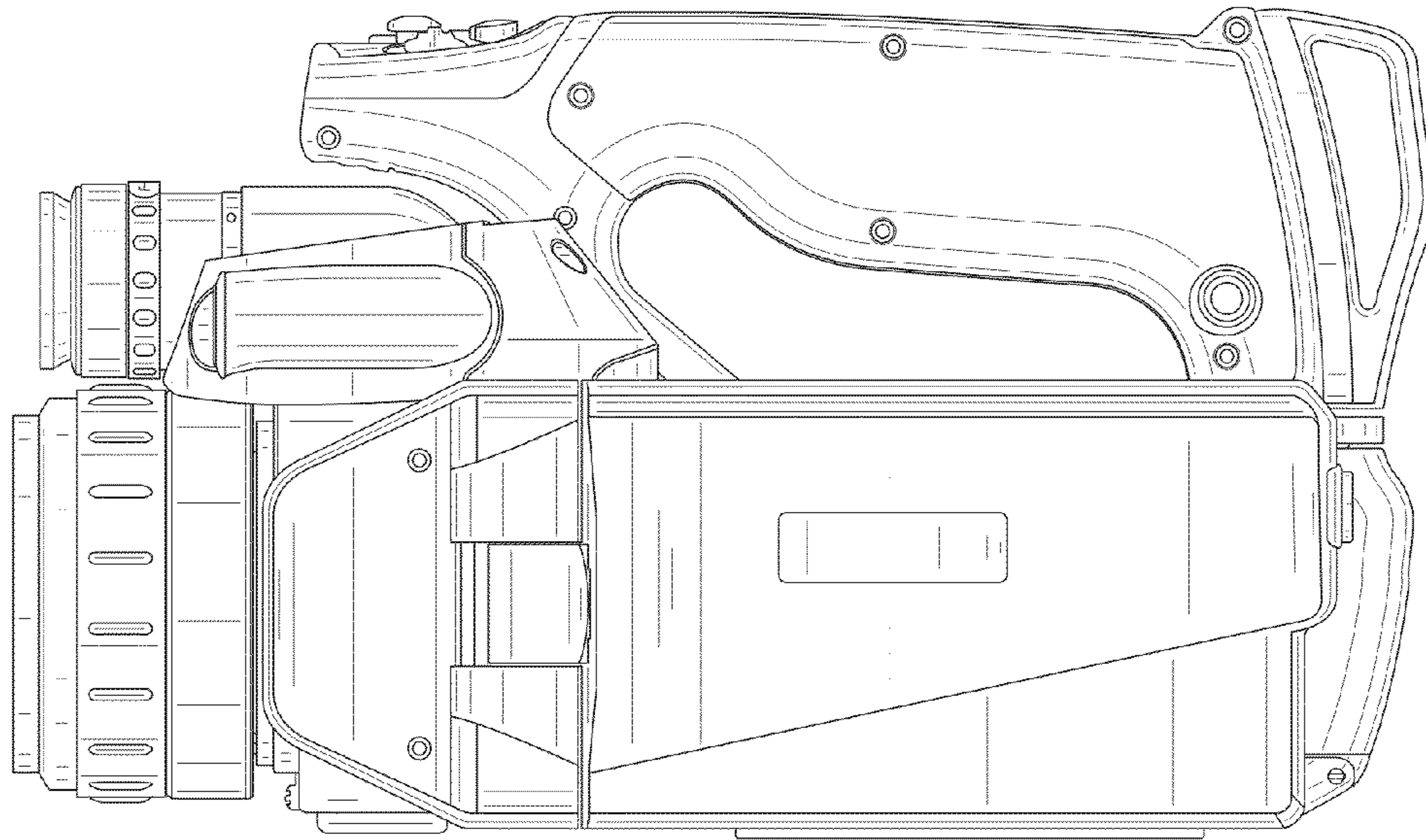


FIG. 1

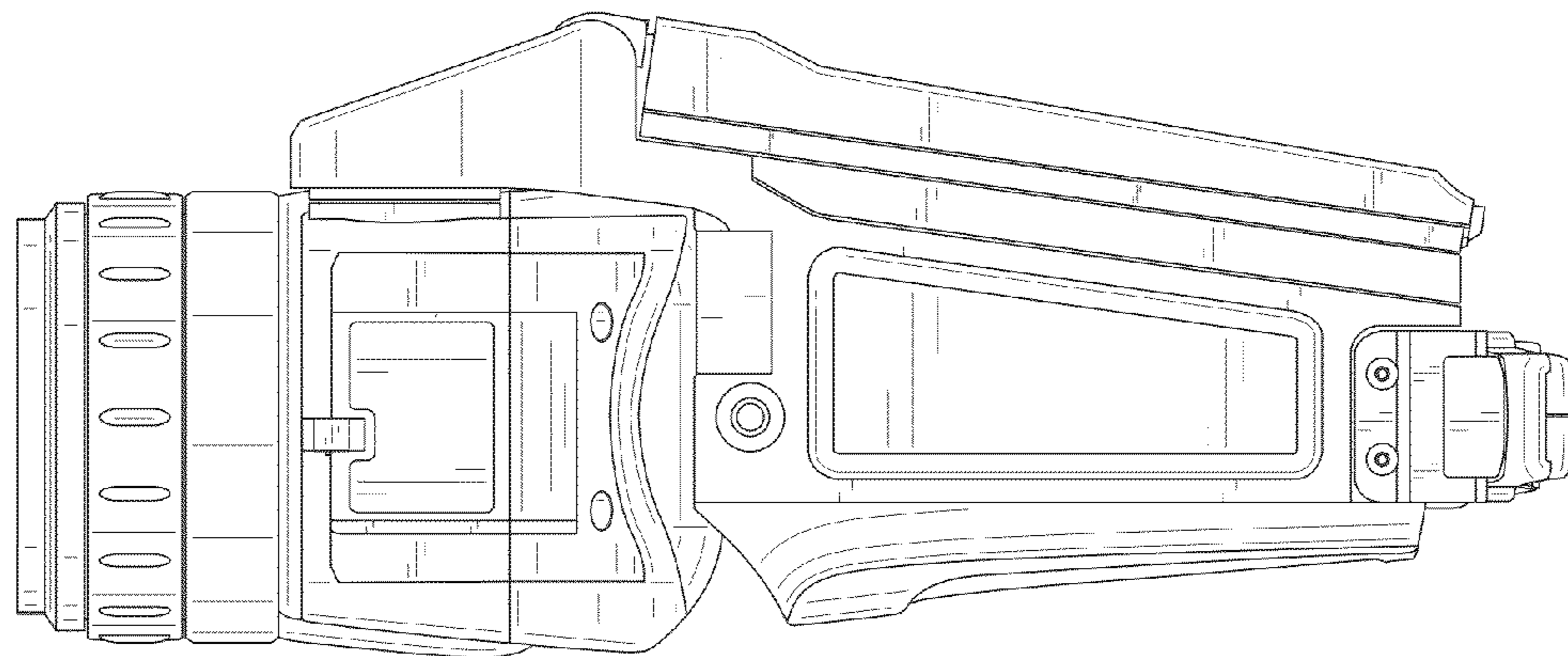


FIG. 2



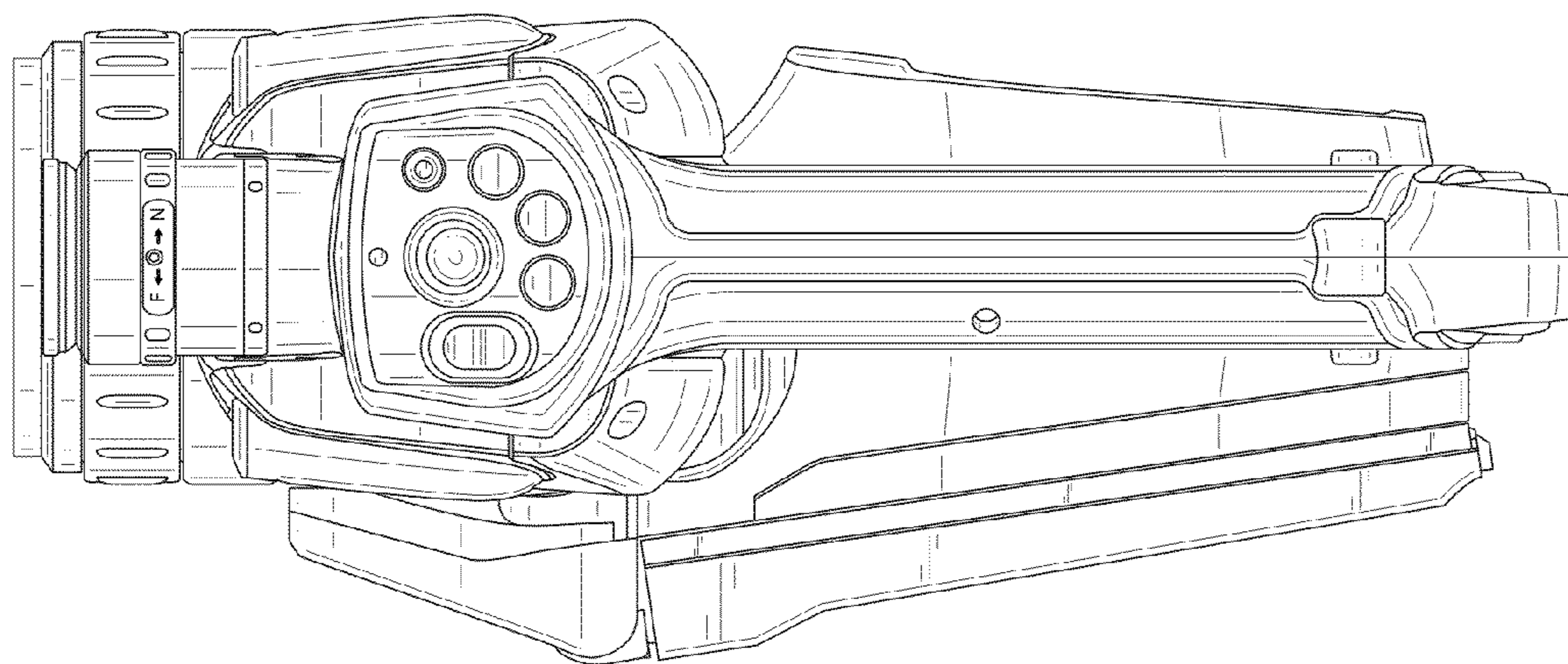


FIG. 3

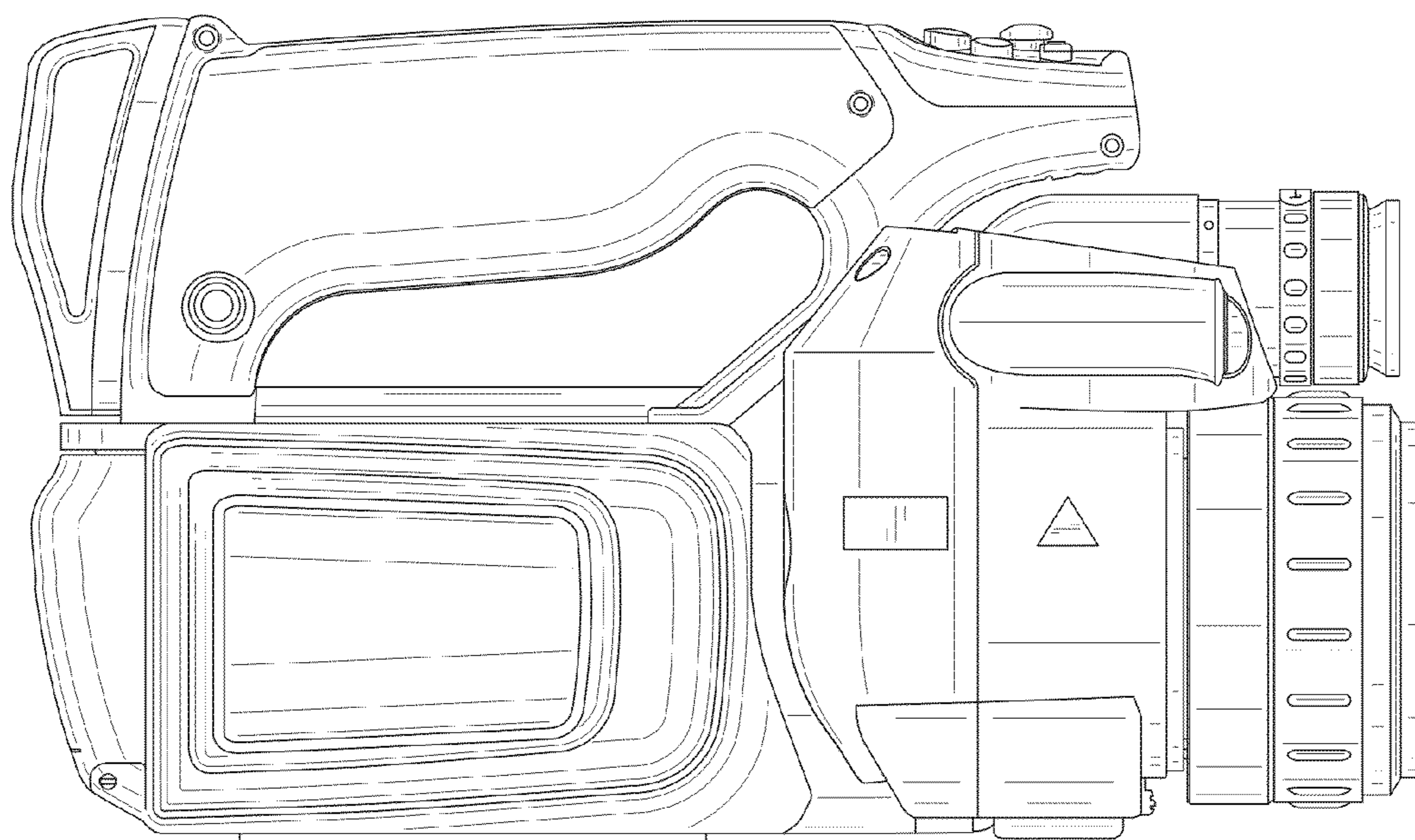


FIG. 4

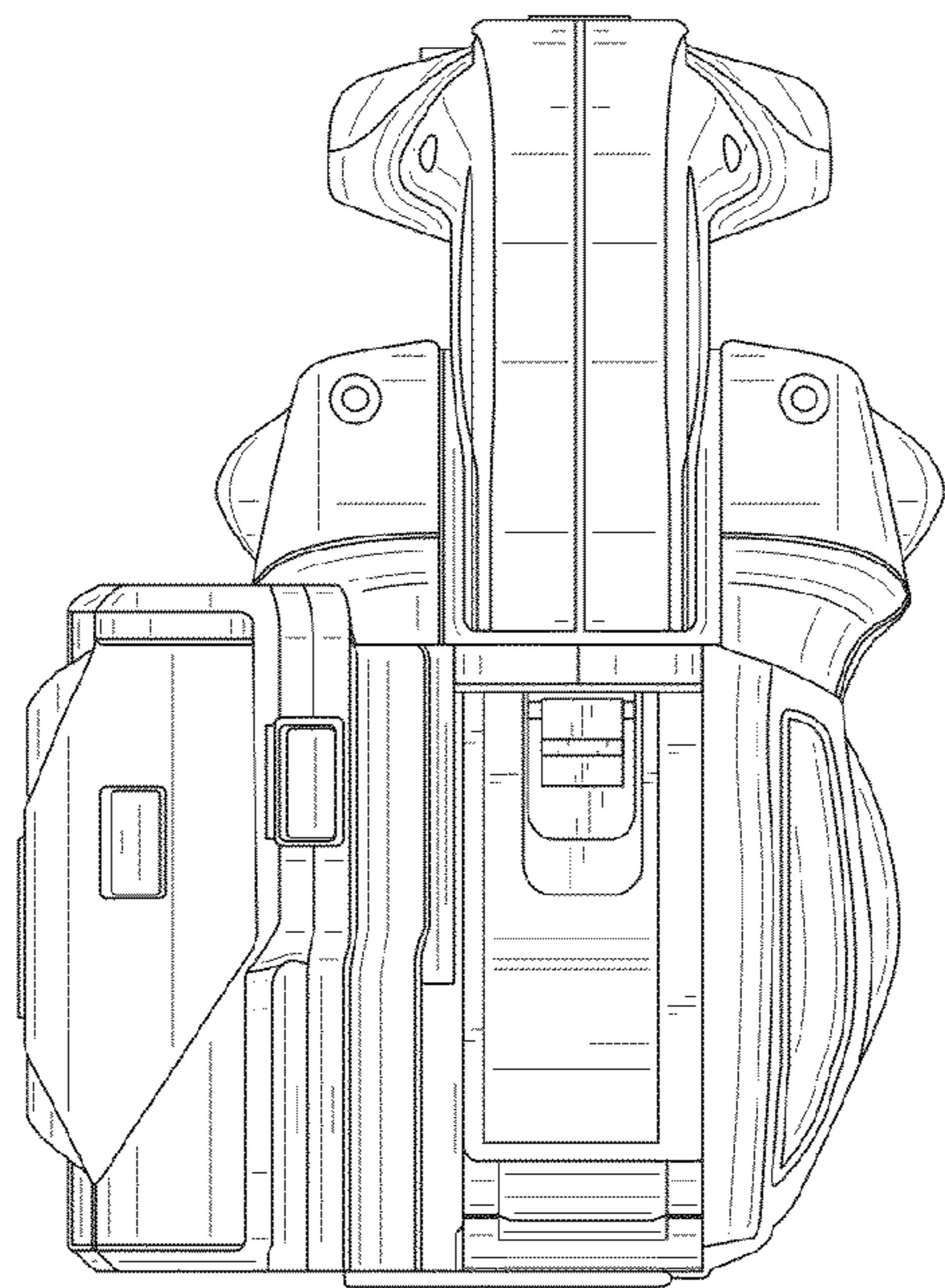


FIG. 5

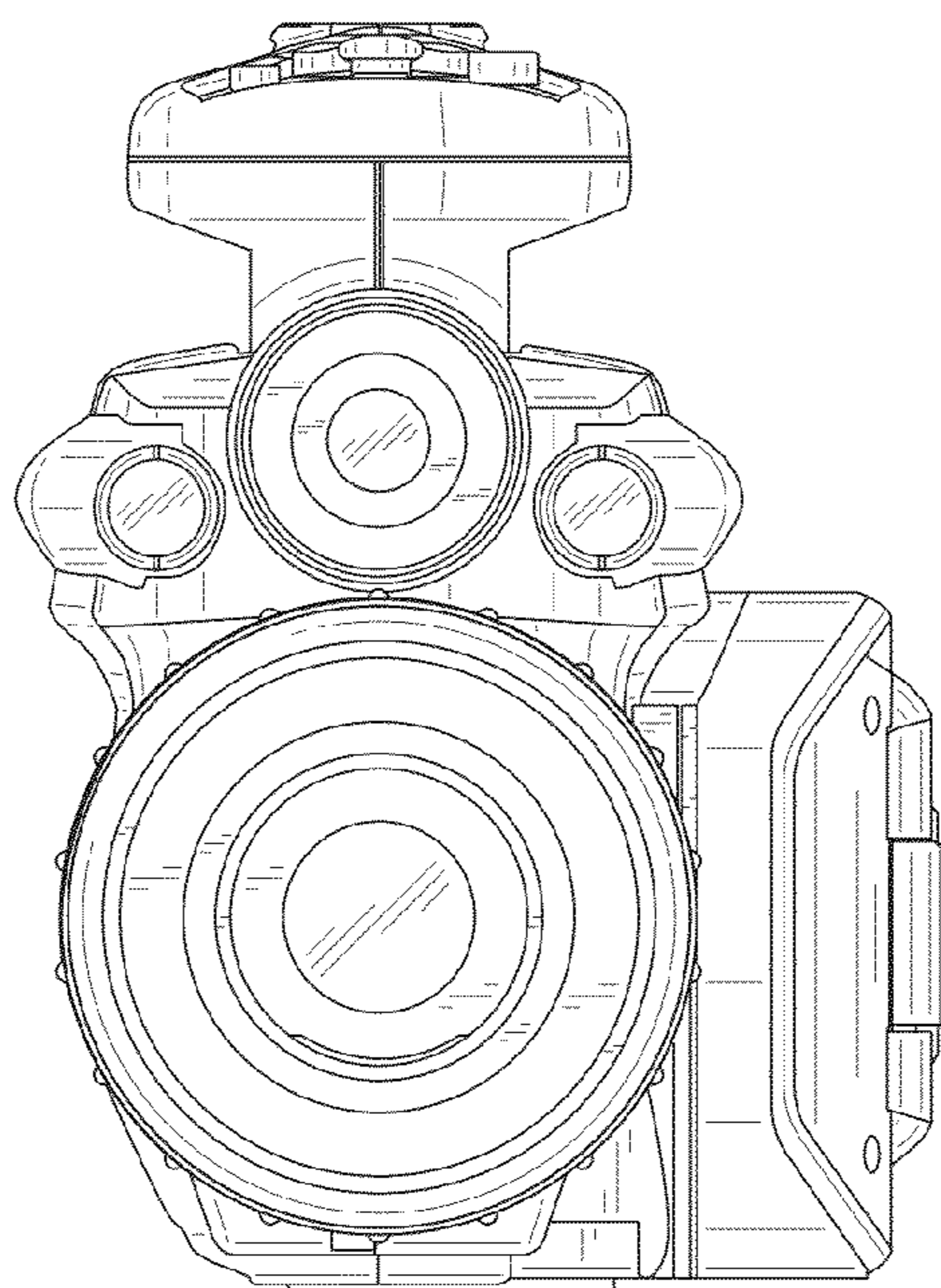


FIG. 6

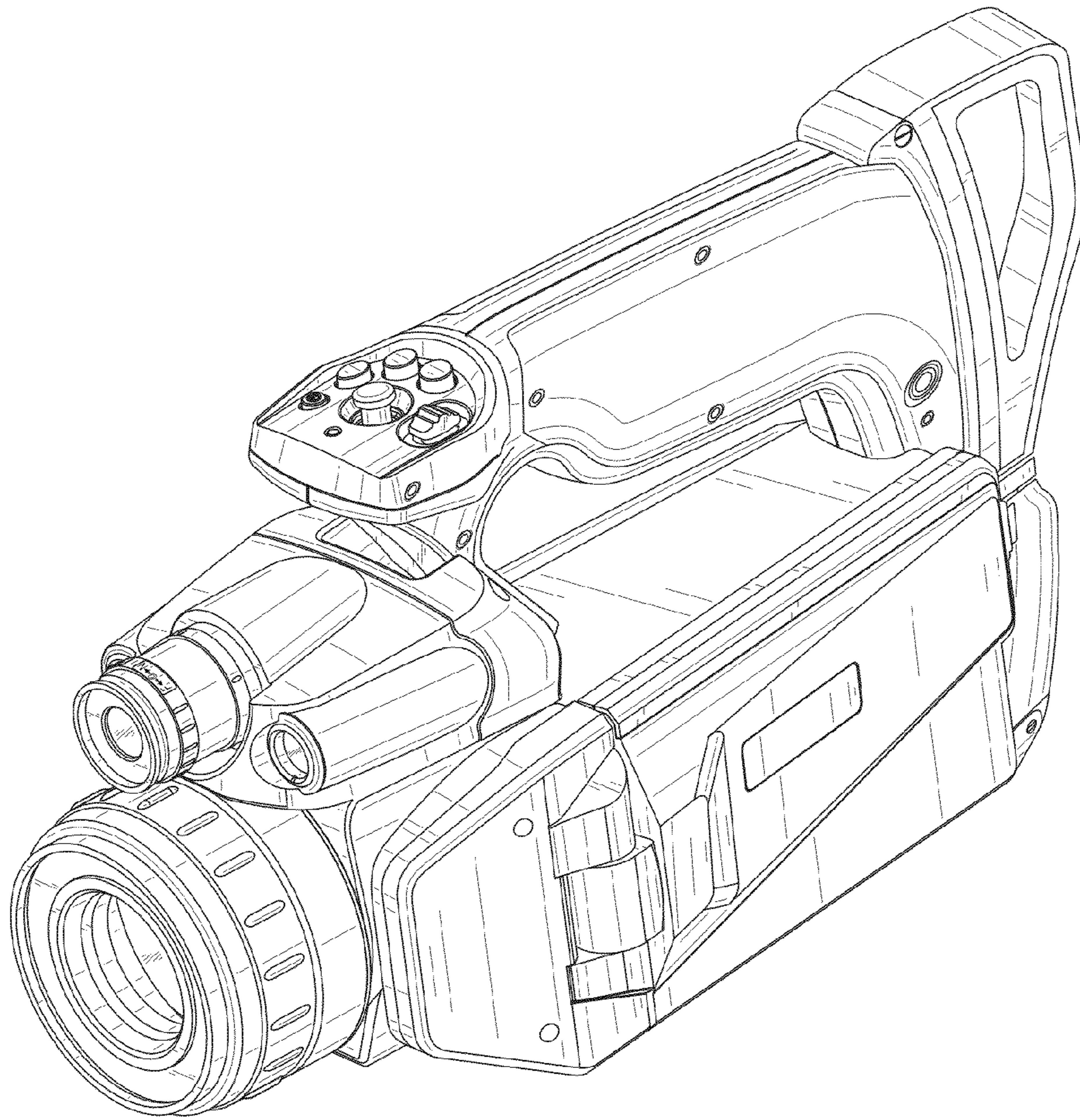


FIG. 7