



US00D679304S

(12) **United States Design Patent**
Delaney et al.

(10) **Patent No.:** **US D679,304 S**
(45) **Date of Patent:** **** Apr. 2, 2013**

(54) **OPTICAL DEVICE**

(75) Inventors: **Sean Delaney**, Lowell, MA (US);
Carlos Santos, Dracut, MA (US)

(73) Assignee: **Flir Systems, Inc.**, Wilsonville, OR (US)

(**) Term: **14 Years**

(21) Appl. No.: **29/415,006**

(22) Filed: **Mar. 6, 2012**

(51) **LOC (9) Cl.** **16-06**

(52) **U.S. Cl.** **D16/133**

(58) **Field of Classification Search** D16/130,
D16/133, 202, 208, 234, 220; 359/407, 408,
359/409, 410, 418, 417, 414, 416, 220, 335;
D26/37; 358/906; D22/109
See application file for complete search history.

(56) **References Cited**

U.S. PATENT DOCUMENTS

2,032,676	A *	3/1936	Warmisham	359/407
D303,674	S *	9/1989	Shimizu et al.	D16/202
4,915,487	A *	4/1990	Riddell et al.	359/630
D340,732	S *	10/1993	Sano et al.	D16/202
D359,973	S *	7/1995	Hayamizu	D16/133
5,455,711	A *	10/1995	Palmer	359/353
5,495,364	A *	2/1996	Palmer	359/412
D371,786	S *	7/1996	Maeyama	D14/168
D409,212	S *	5/1999	Omino	D16/133
D418,849	S *	1/2000	Becker et al.	D16/133
D418,853	S *	1/2000	Kubota	D16/203
D424,081	S *	5/2000	Gordon	D16/130
D433,430	S *	11/2000	Meinzer	D16/132
D439,260	S *	3/2001	Matsushita	D16/133
6,219,250	B1 *	4/2001	Palmer	361/752
D449,436	S *	10/2001	Baurley et al.	D3/5
D453,174	S *	1/2002	Koinuma	D16/133
6,456,497	B1 *	9/2002	Palmer	361/752
6,469,828	B2 *	10/2002	Plotsker	359/409

6,542,294	B2 *	4/2003	Funatsu	359/407
D502,201	S *	2/2005	Hines et al.	D16/208
D522,551	S *	6/2006	Hayashi	D16/133
D539,317	S *	3/2007	Tonhofer	D16/132
D568,508	S *	5/2008	Howe et al.	D26/38
D611,979	S *	3/2010	Frank et al.	D16/202
D669,107	S *	10/2012	Yoneda	D16/133

* cited by examiner

Primary Examiner — Paula Greene

(74) *Attorney, Agent, or Firm* — Haynes and Boone, LLP

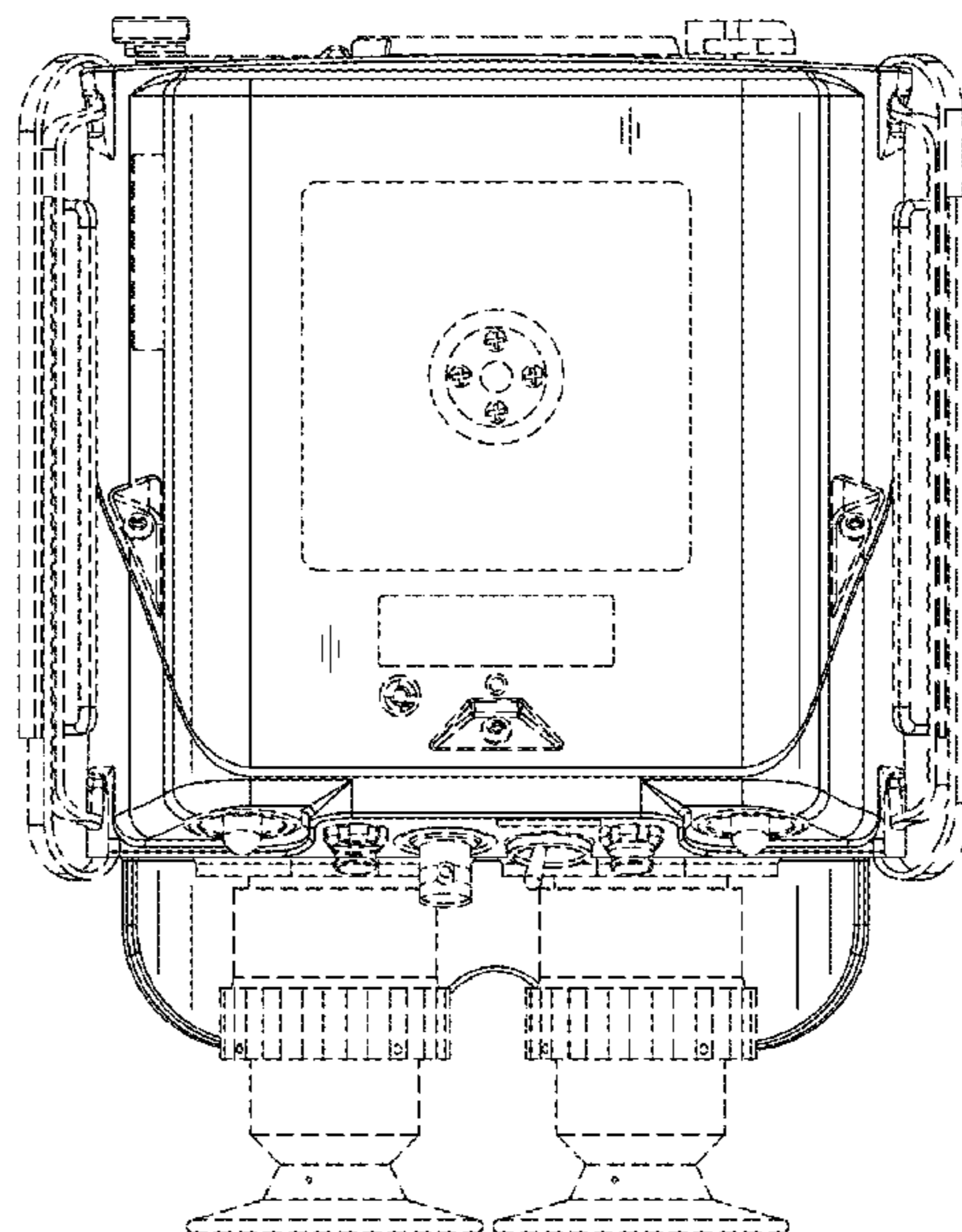
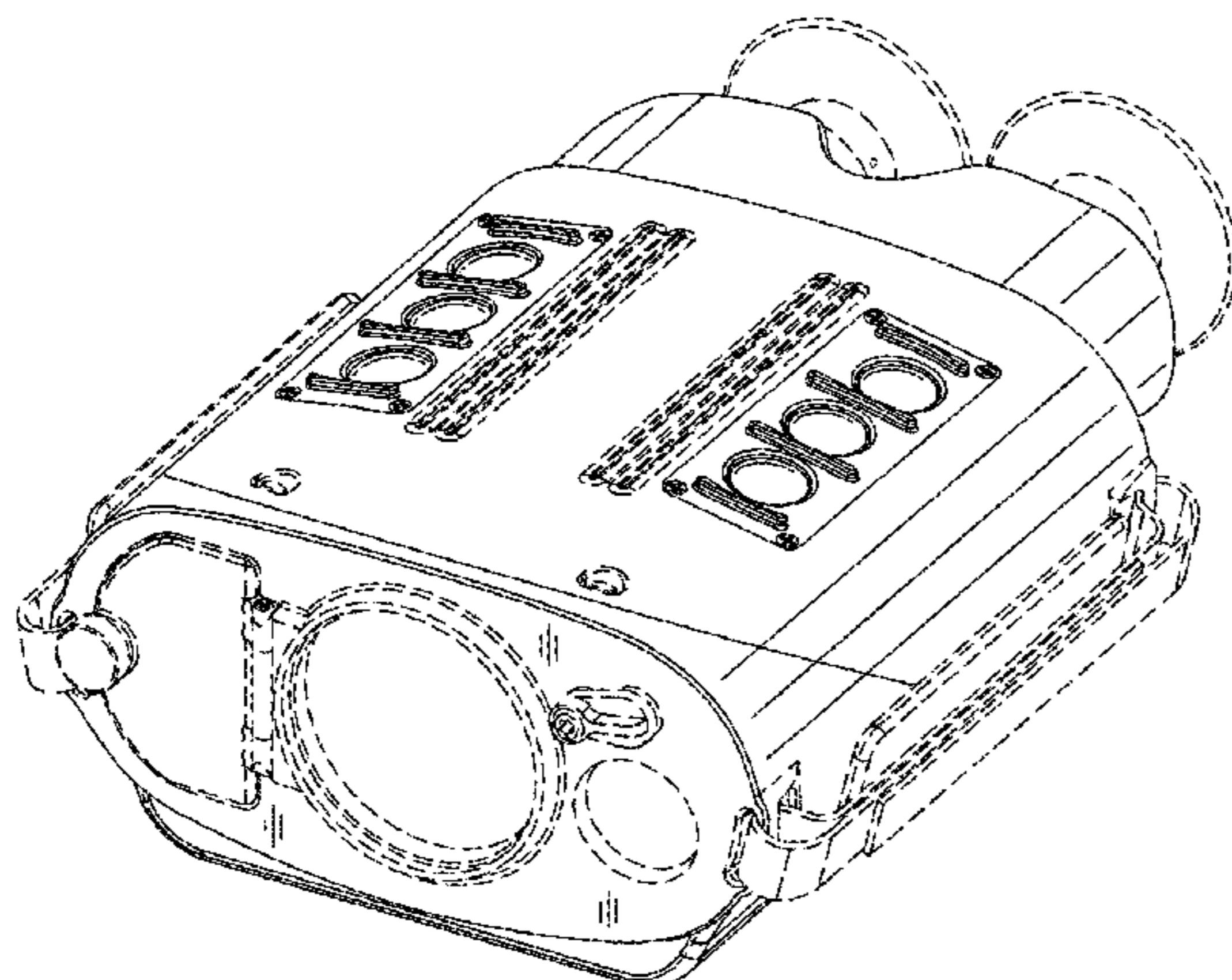
(57) **CLAIM**

The ornamental design for an optical device, as shown and described.

DESCRIPTION

FIG. 1 is a rear-left-top perspective view of a first optical device embodying the new design;
 FIG. 2 is a front-right-top perspective view thereof;
 FIG. 3 is a rear elevational view thereof;
 FIG. 4 is a front elevational view thereof;
 FIG. 5 is a right side elevational view thereof;
 FIG. 6 is a left side elevational view thereof;
 FIG. 7 is a top plan view thereof;
 FIG. 8 is a bottom plan view thereof;
 FIG. 9 is a rear-left-top perspective view of a second optical device embodying the new design;
 FIG. 10 is a front-right-top perspective view thereof;
 FIG. 11 is a rear elevational view thereof;
 FIG. 12 is a front elevational view thereof;
 FIG. 13 is a right side elevational view thereof (with a left side substantially identical to the right side elevational view); and,
 FIG. 14 is a bottom plan view thereof.
 The broken lines in the figures are shown for the purpose of illustrating environmental matter and form no part of the claimed design.

1 Claim, 14 Drawing Sheets



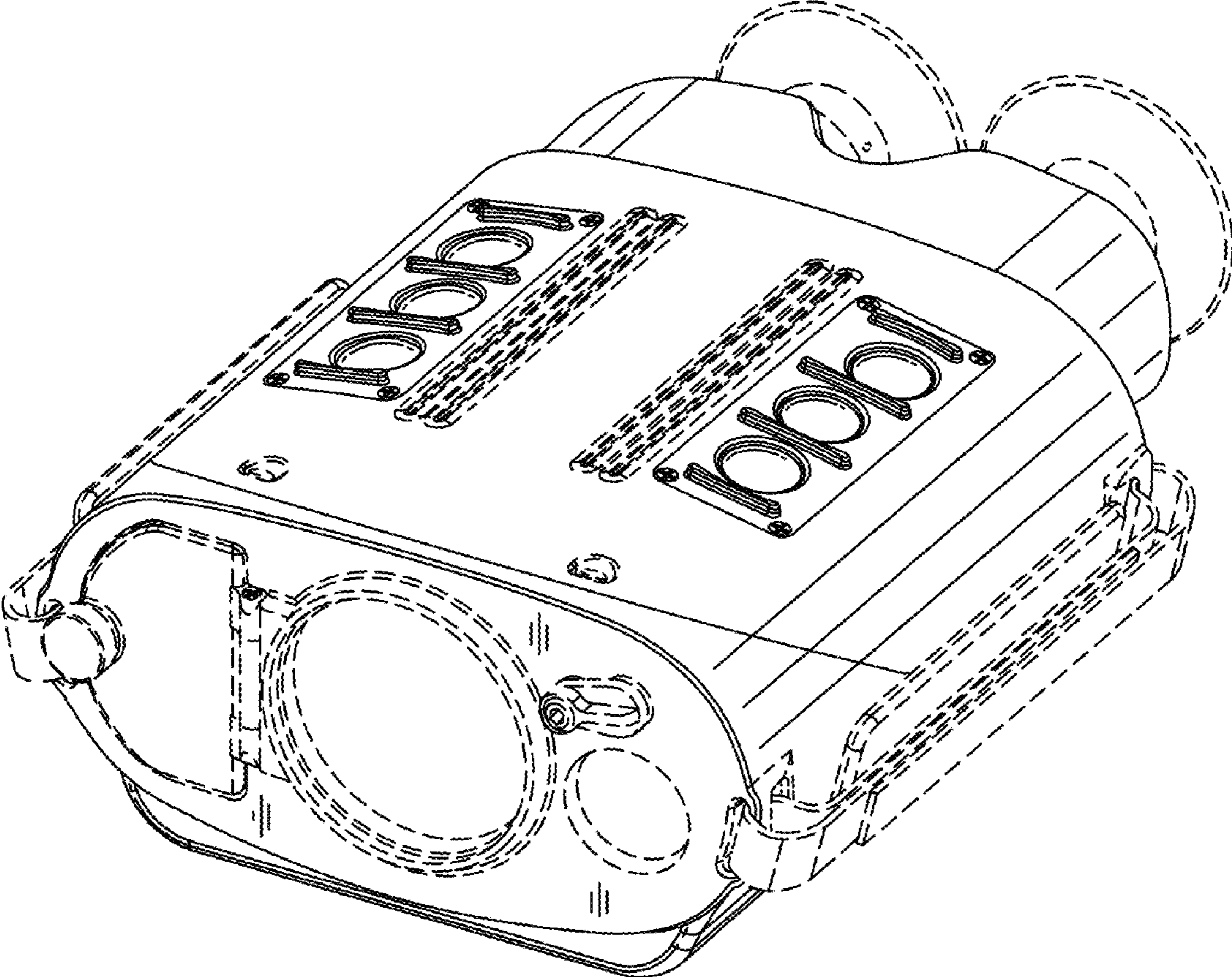


FIG. 1

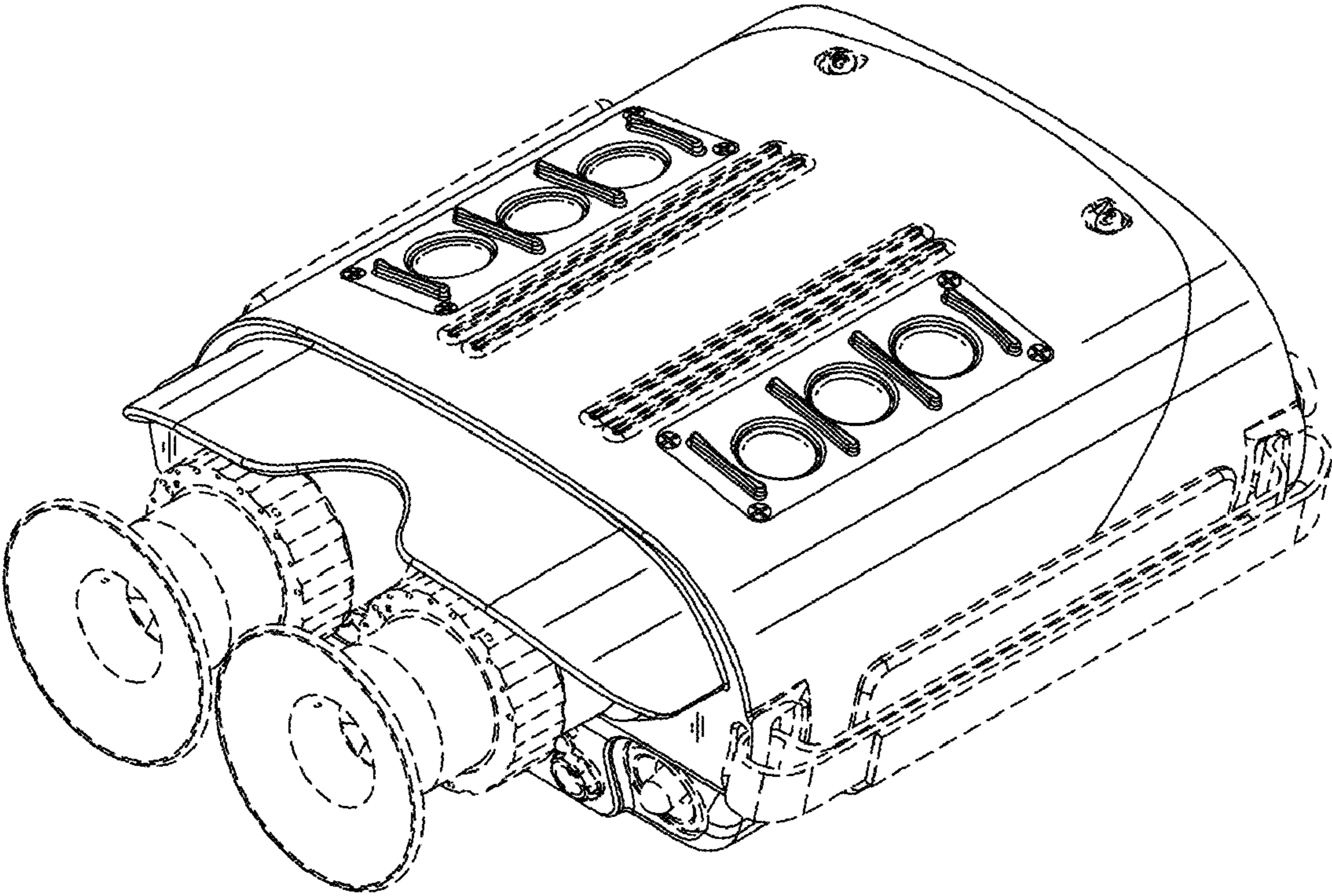


FIG. 2

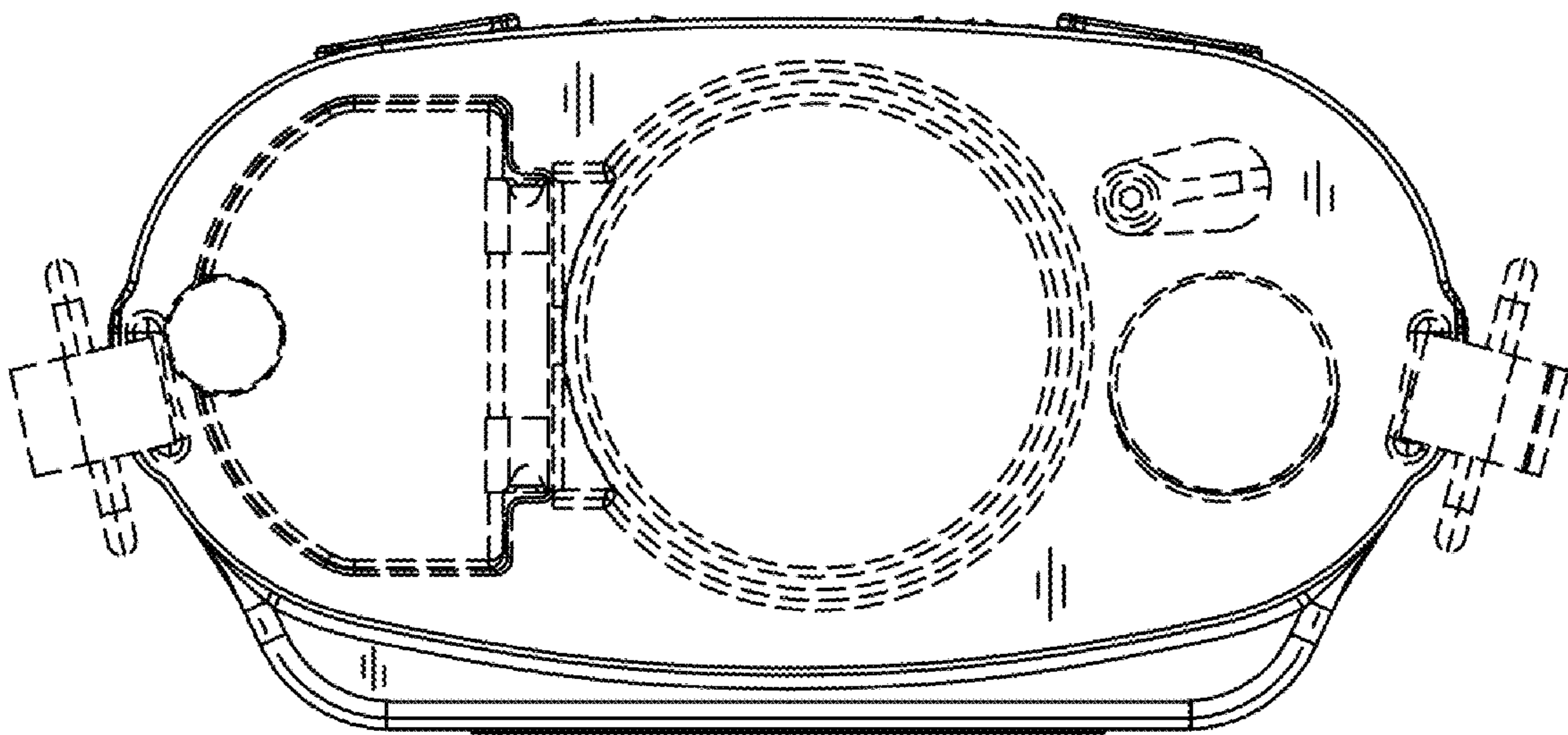


FIG. 3

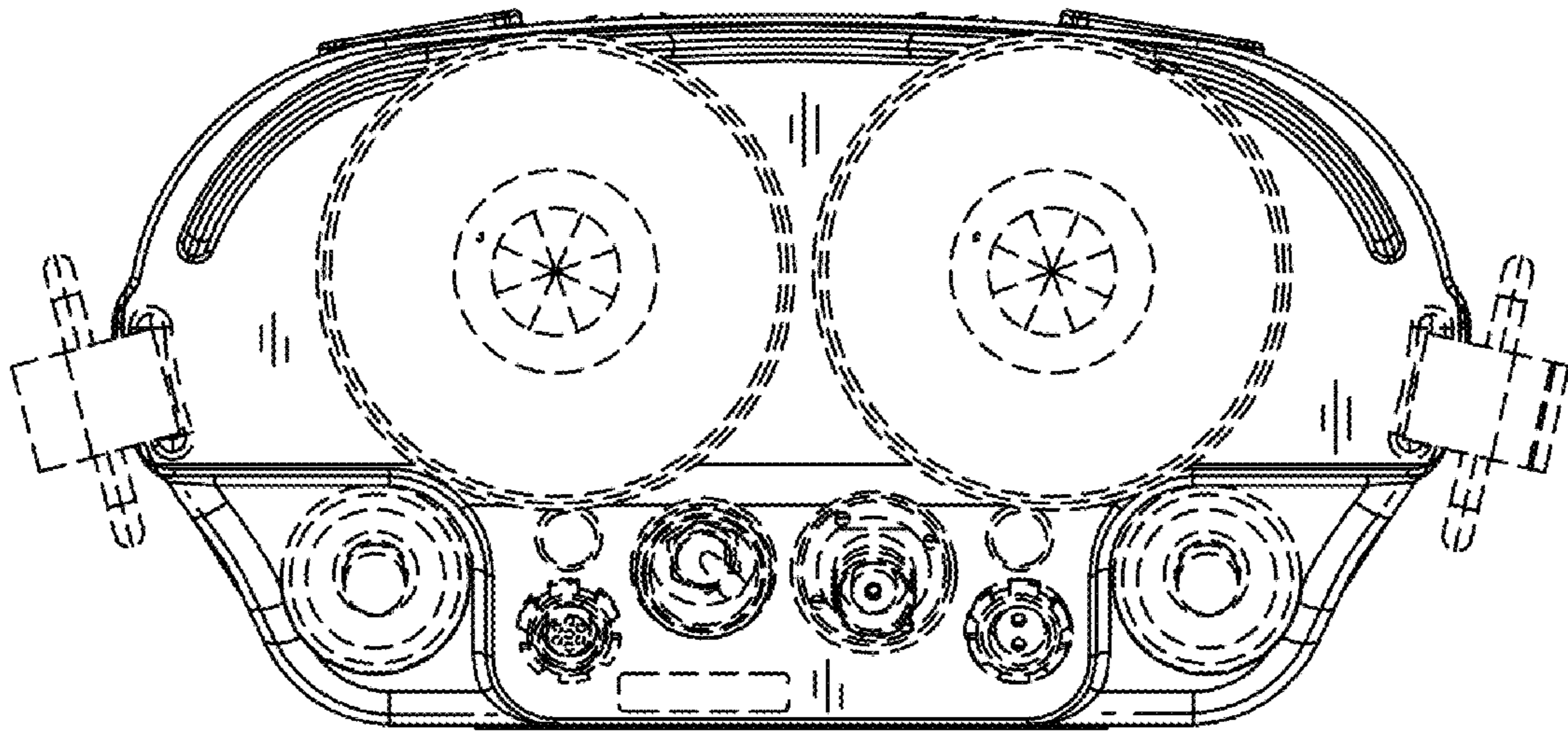


FIG. 4

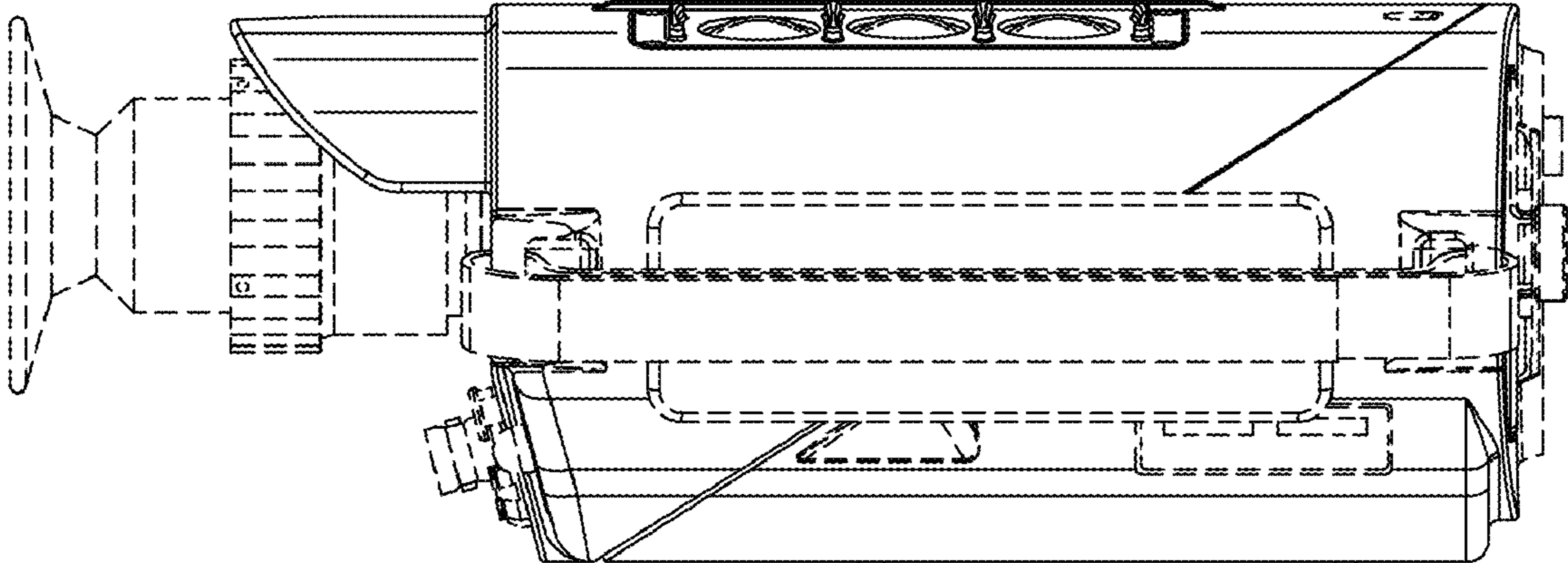


FIG. 5

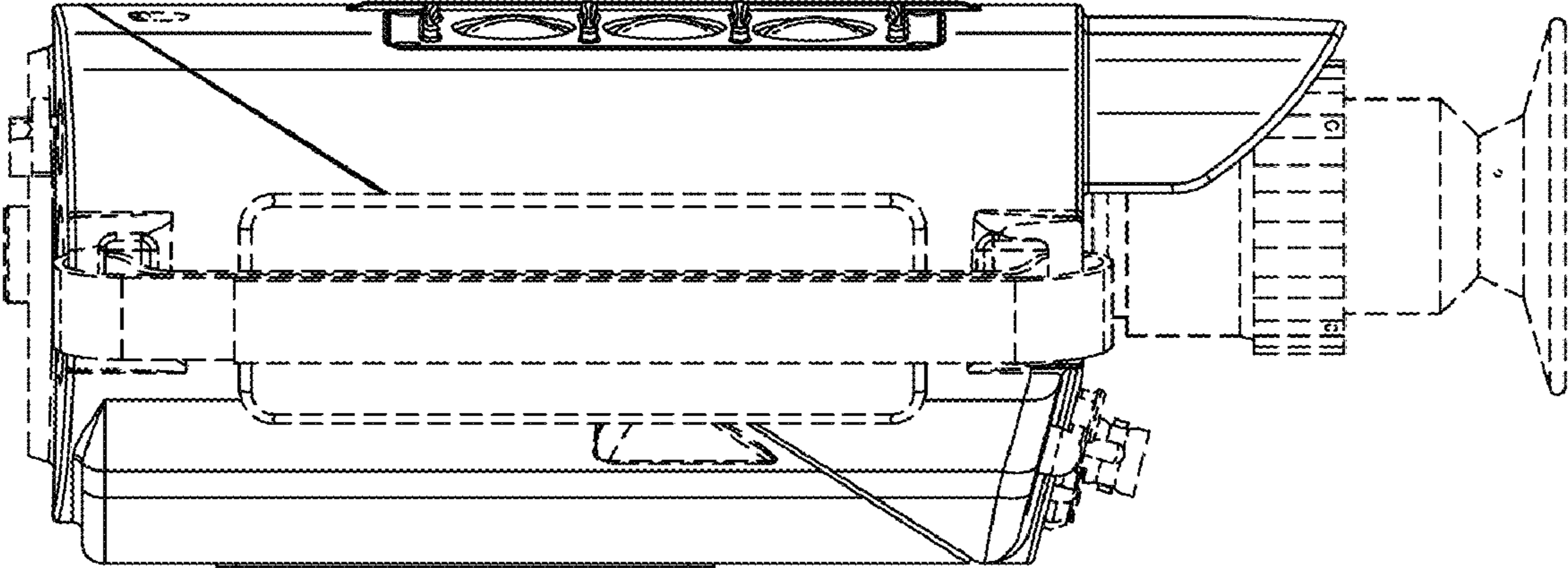


FIG. 6

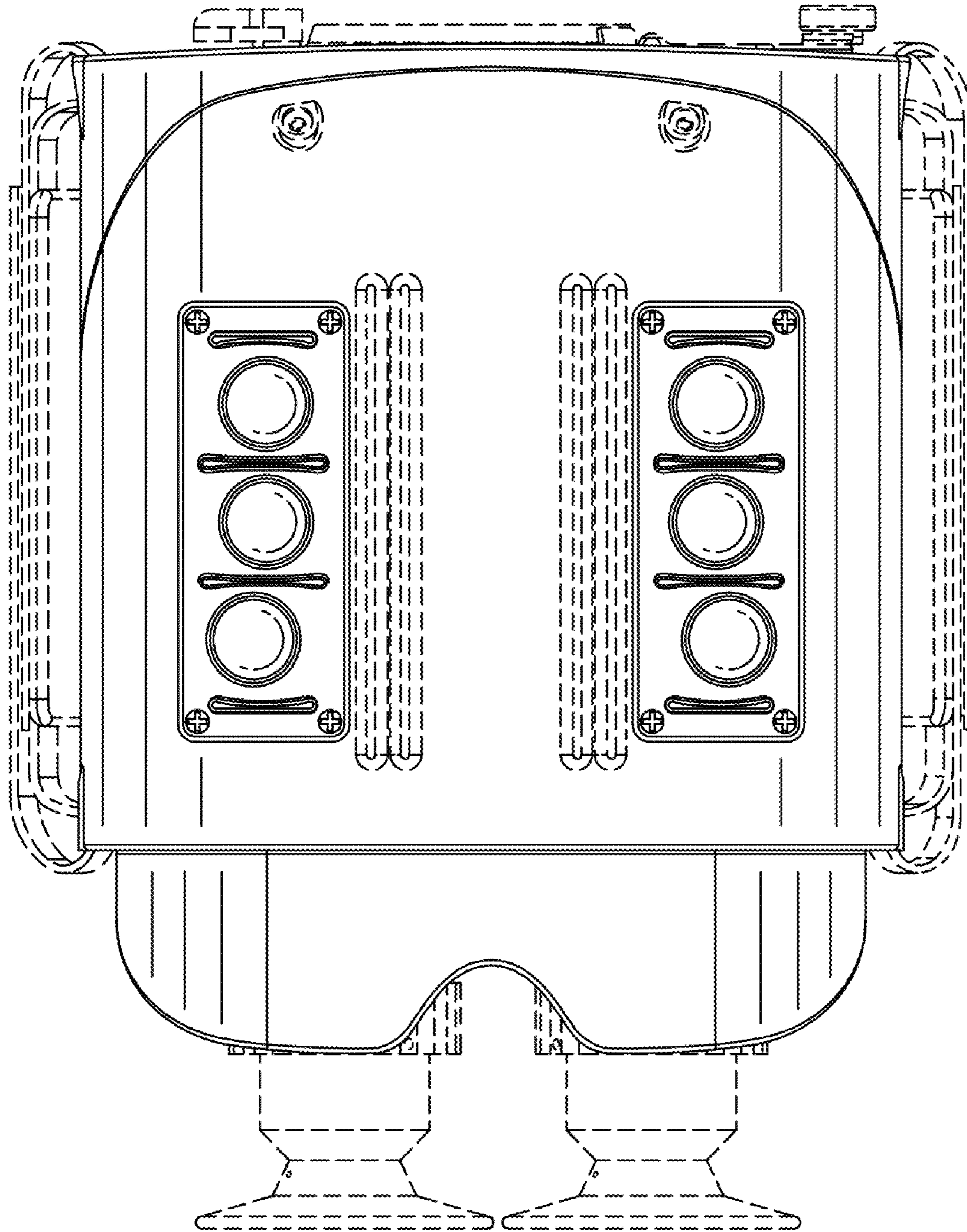


FIG. 7

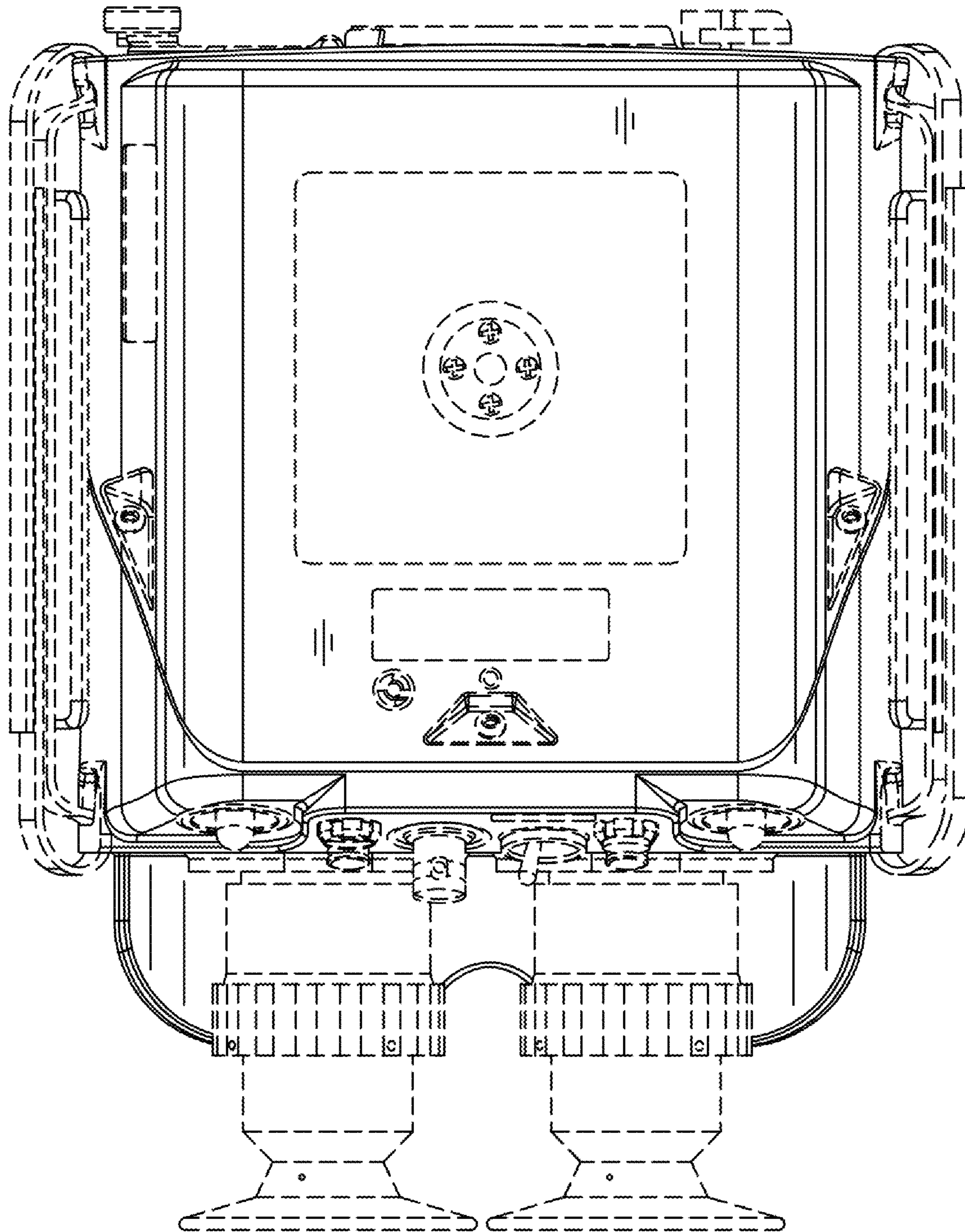


FIG. 8

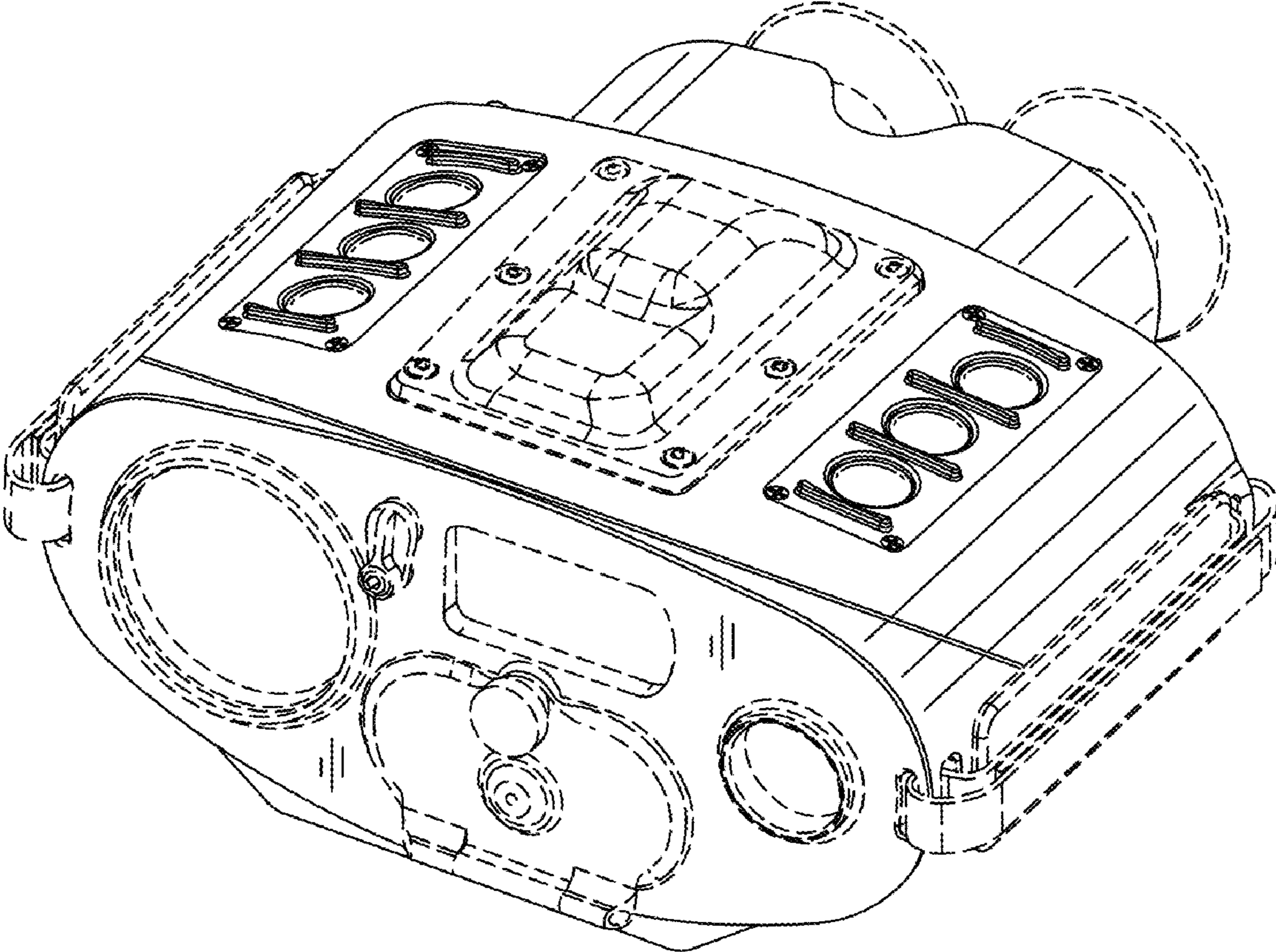


FIG. 9

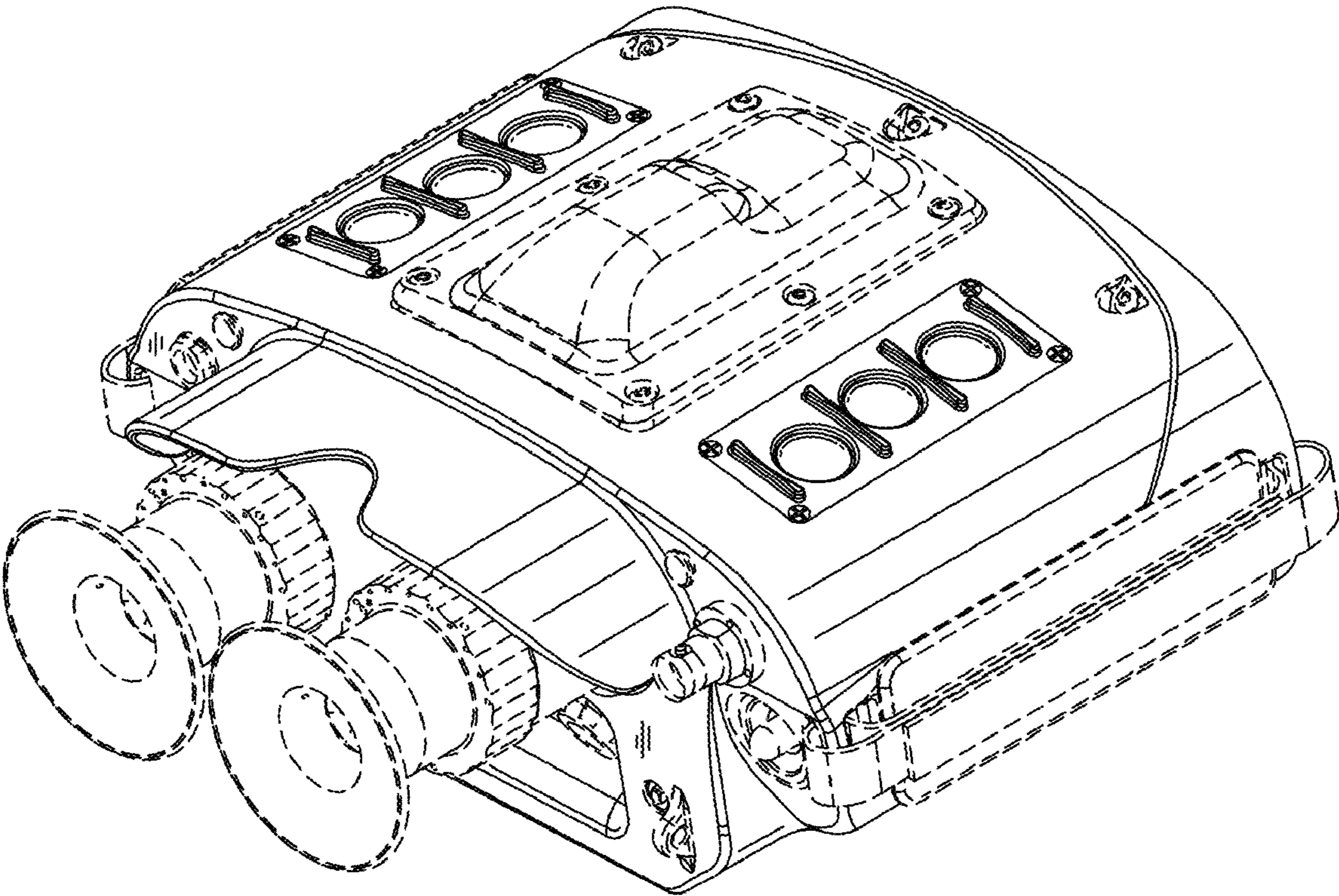


FIG. 10

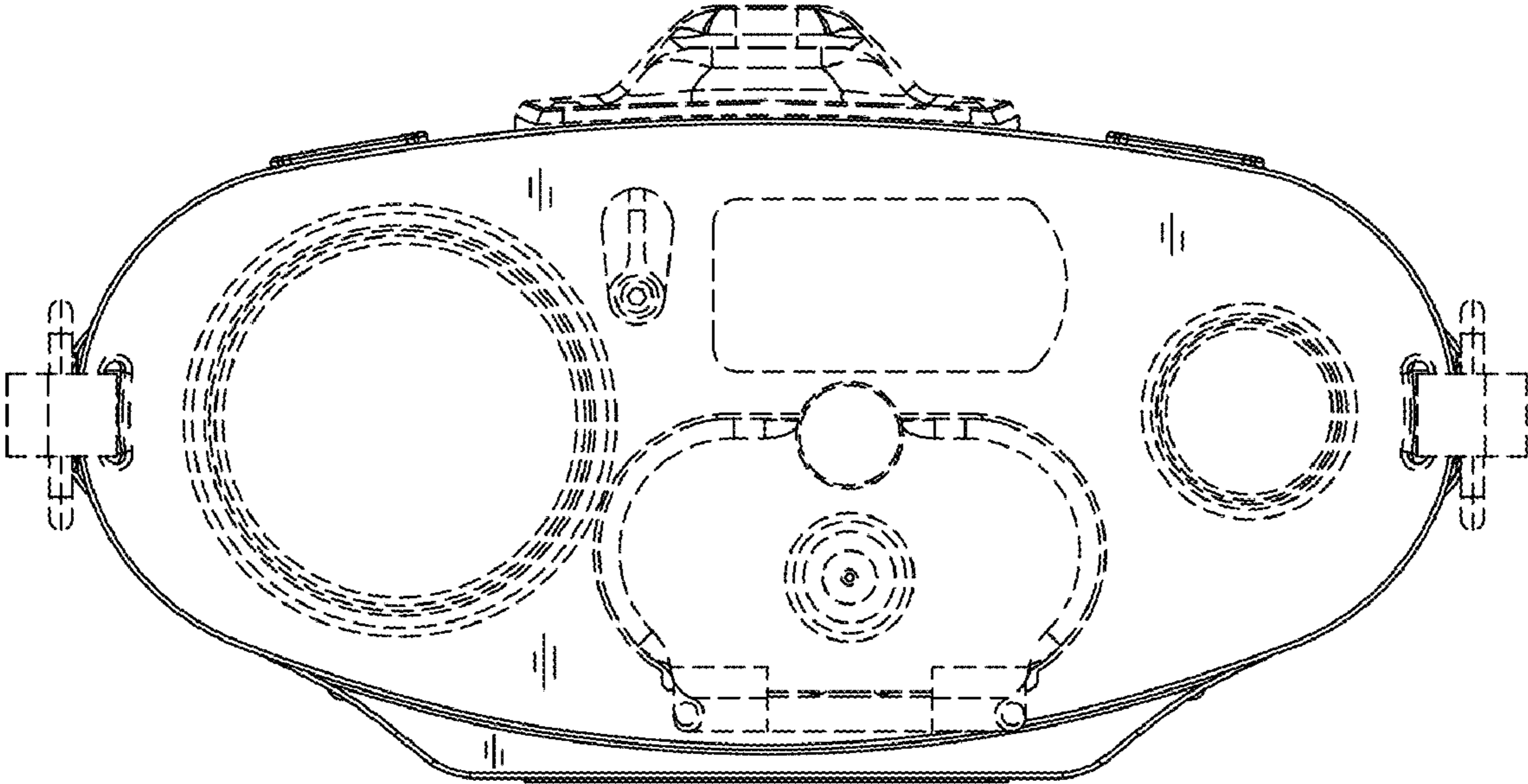


FIG. 11

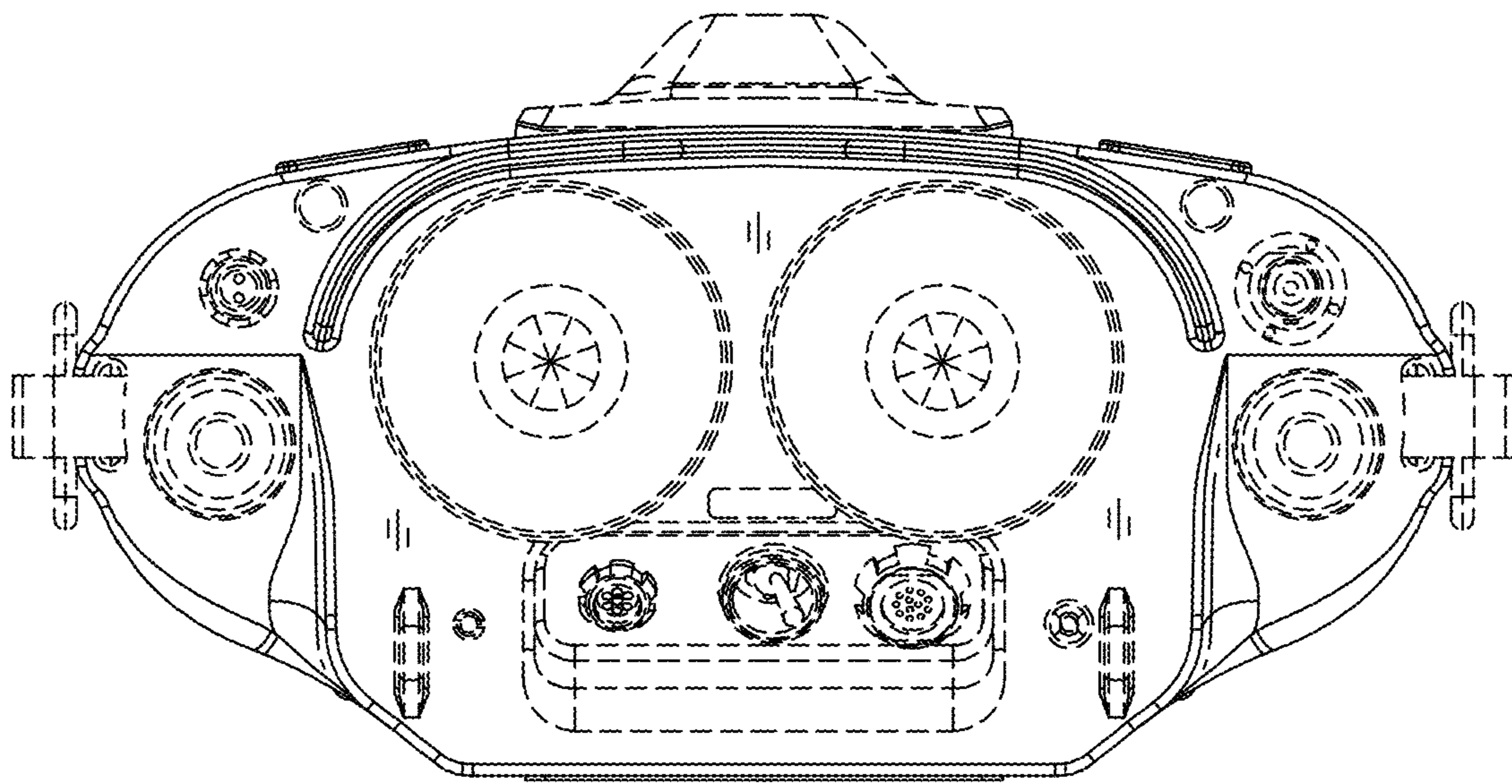


FIG. 12

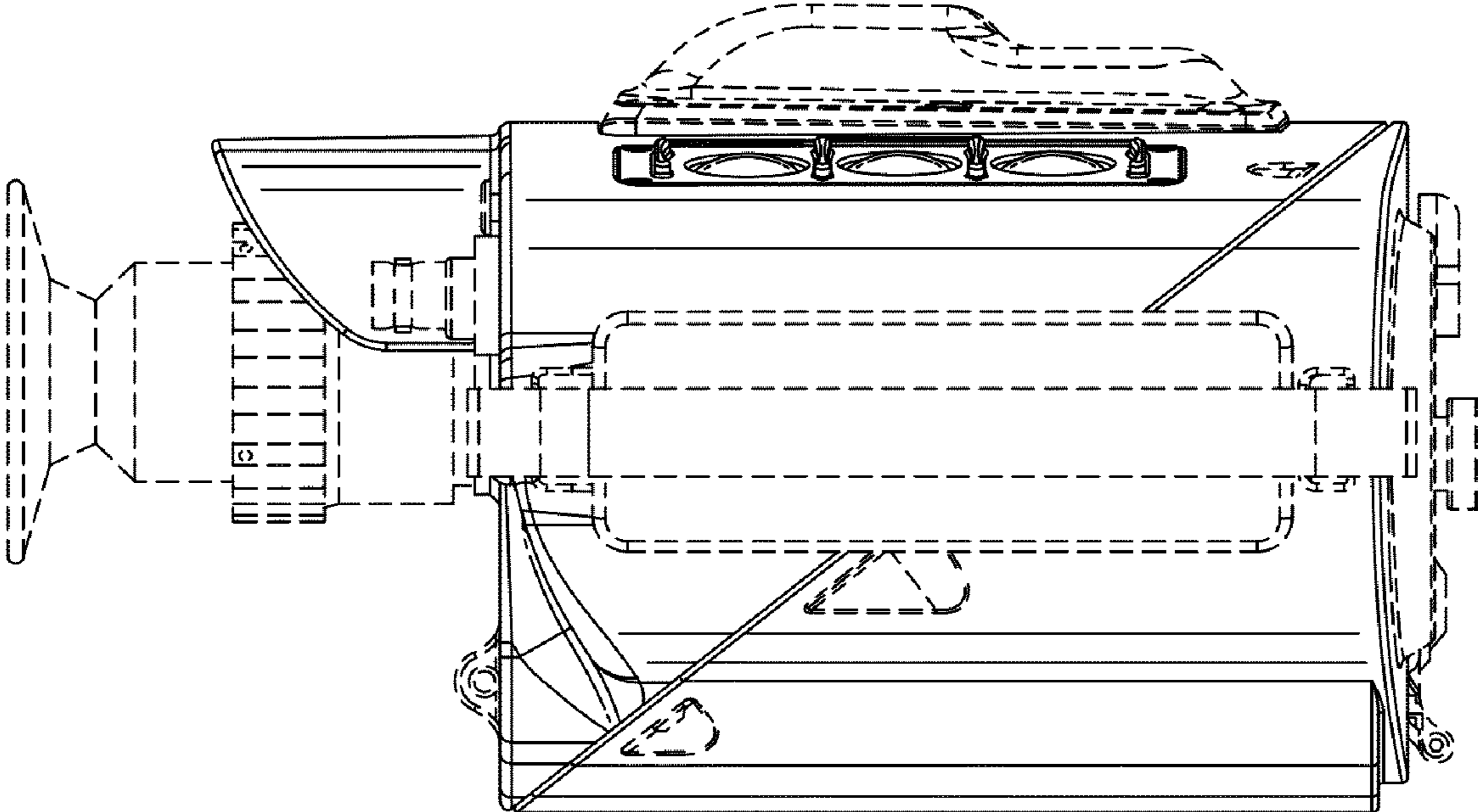


FIG. 13

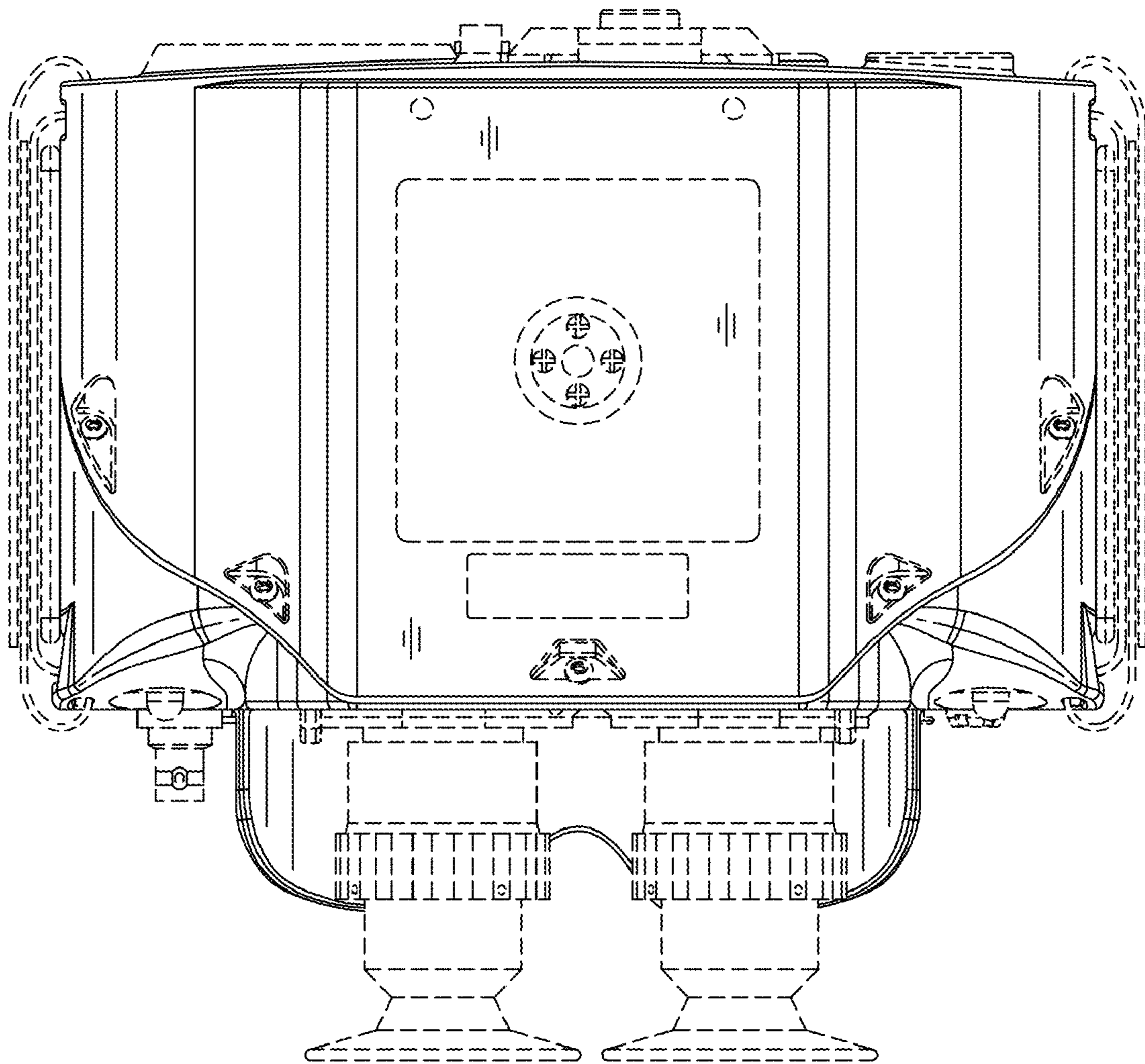


FIG. 14