



US00D679303S

(12) **United States Design Patent**  
**Cibien**

(10) **Patent No.:** **US D679,303 S**

(45) **Date of Patent:** **\*\* Apr. 2, 2013**

(54) **SEQUENTIAL GEARBOX**

(75) **Inventor:** **Angelo Cibien**, San Colombano al Lambro (IT)

(73) **Assignee:** **BI. CI. DI. SRL**, San Colombano AL Lambro (MI) (IT)

(\*\*) **Term:** **14 Years**

(21) **Appl. No.:** **29/393,438**

(22) **Filed:** **Jun. 3, 2011**

(30) **Foreign Application Priority Data**

Dec. 10, 2010 (IT) ..... M12010O0119

(51) **LOC (9) Cl.** ..... **15-99**

(52) **U.S. Cl.** ..... **D15/149**

(58) **Field of Classification Search** ..... D15/148,  
D15/149; 74/335, 464; 395/395, 395.411,  
395/464, 640; 427/249.19; 428/408; 464/73;  
475/83, 331-335, 344, 901

See application file for complete search history.

(56) **References Cited**

**U.S. PATENT DOCUMENTS**

2,357,781	A	9/1944	Randol	
4,508,190	A	4/1985	Uchiyama	
4,651,848	A	3/1987	Kobayashi et al.	
4,783,915	A	11/1988	Sasaki et al.	
D406,596	S *	3/1999	Ziegler et al.	D15/148
D479,542	S *	9/2003	Lannoch	D15/148

D497,374	S *	10/2004	Wittenstein	D15/148
D501,860	S *	2/2005	Wanschura et al.	D15/149
D529,059	S *	9/2006	Lin	D15/148
D533,205	S *	12/2006	Sinz	D15/149
D553,654	S *	10/2007	Betz	D15/148
D598,938	S *	8/2009	Mijno	D15/148
D618,262	S *	6/2010	Siegfried	D15/148
D619,631	S *	7/2010	Otsuka	D15/149
2008/0064506	A1 *	3/2008	Lin	464/73
2010/0307270	A1 *	12/2010	Brick et al.	74/423
2012/0144941	A1 *	6/2012	Cibien	74/335

**FOREIGN PATENT DOCUMENTS**

GB	1164713	9/1969
JP	571156927	10/1982

\* cited by examiner

*Primary Examiner* — Patricia Palasik

(74) *Attorney, Agent, or Firm* — Fredrikson & Byron, PA

(57) **CLAIM**

I claim the ornamental design for a sequential gearbox, as shown and described.

**DESCRIPTION**

FIG. 1 is a top plan view of a sequential gearbox showing my new design;

FIG. 2 is a bottom view thereof;

FIG. 3 is a right elevation view thereof;

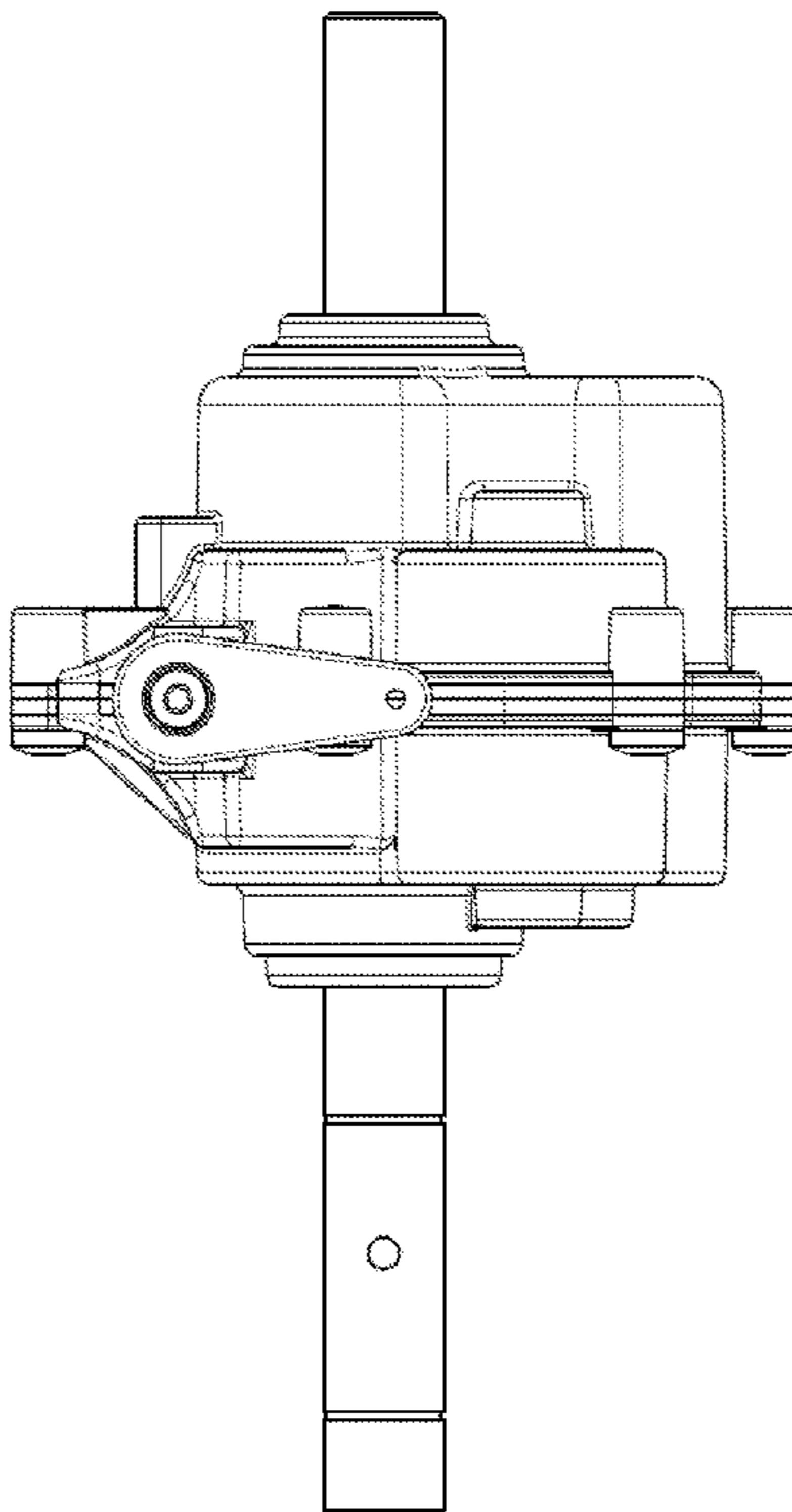
FIG. 4 is a left elevation view thereof;

FIG. 5 is a front elevation view thereof;

FIG. 6 is a rear elevation view thereof; and,

FIG. 7 is a perspective view thereof.

**1 Claim, 7 Drawing Sheets**



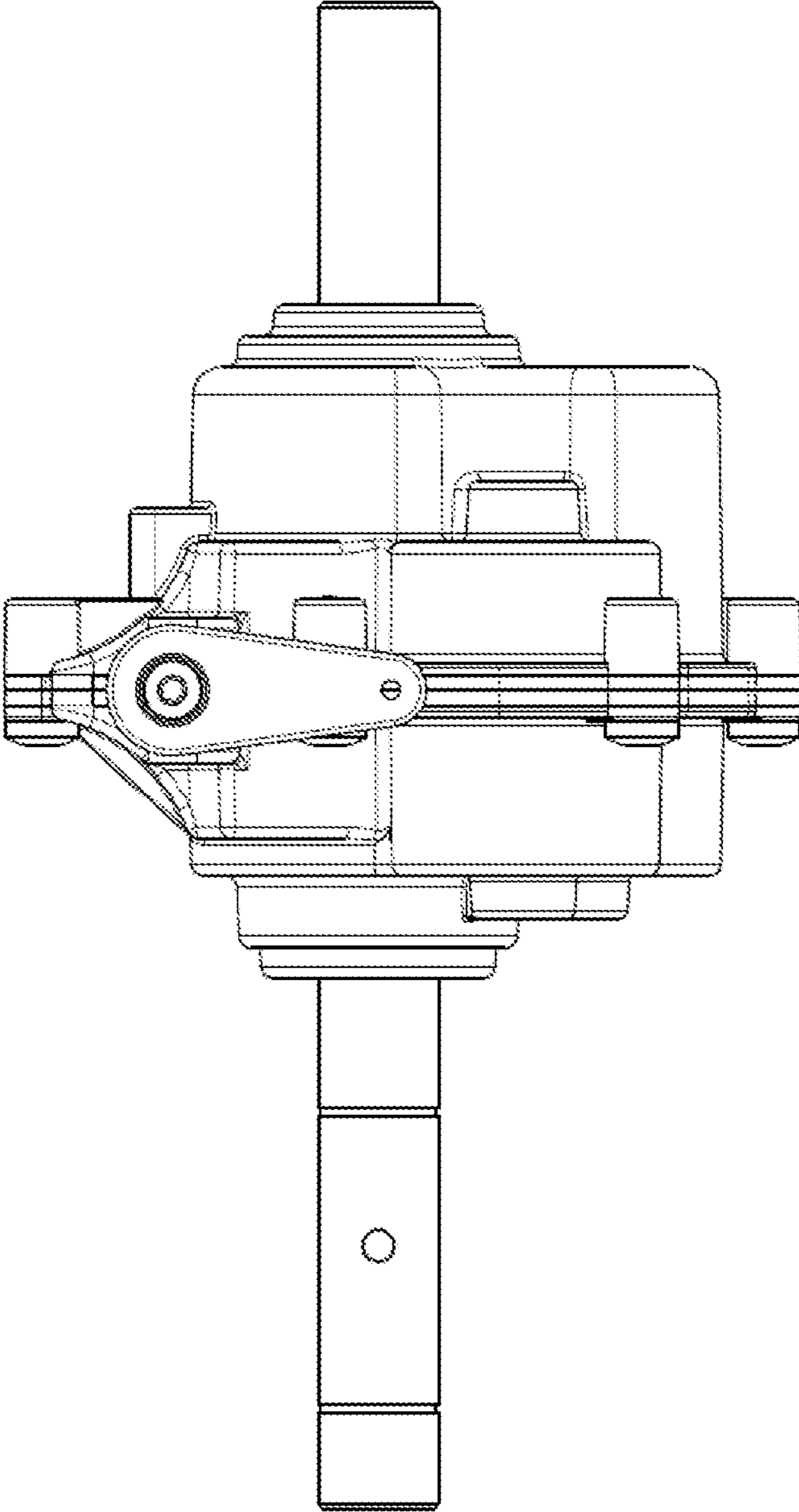


Fig. 1

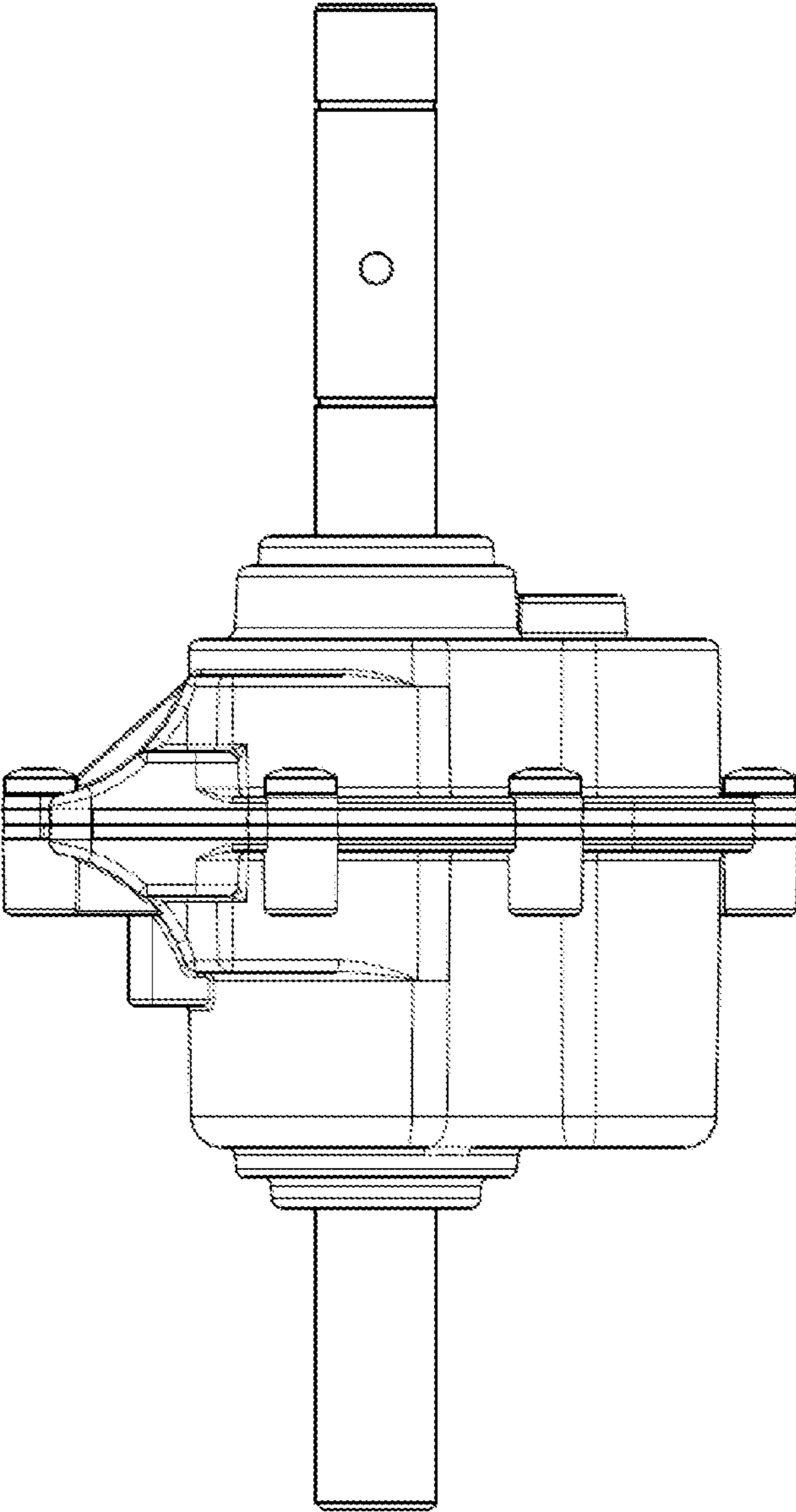


Fig. 2

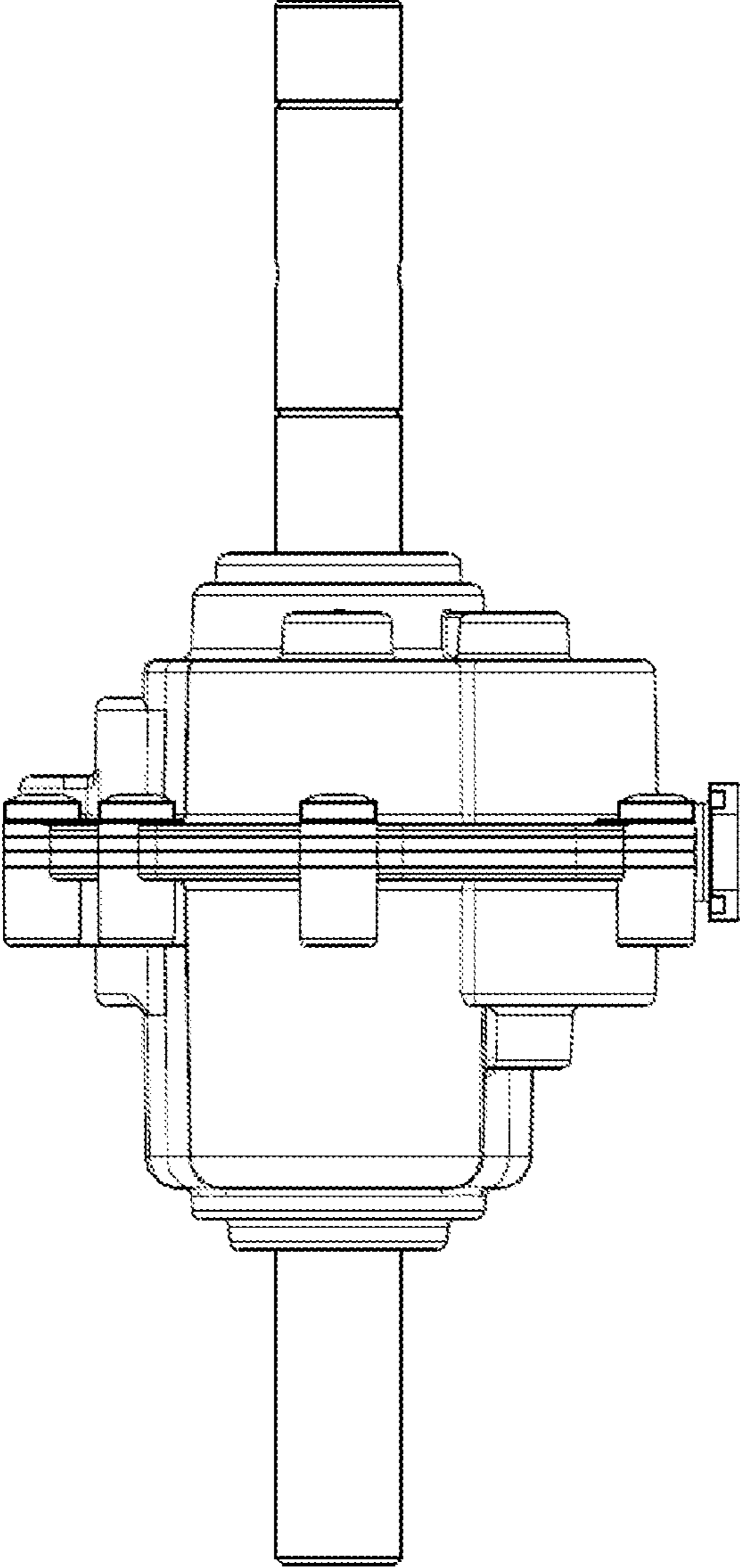


Fig. 3

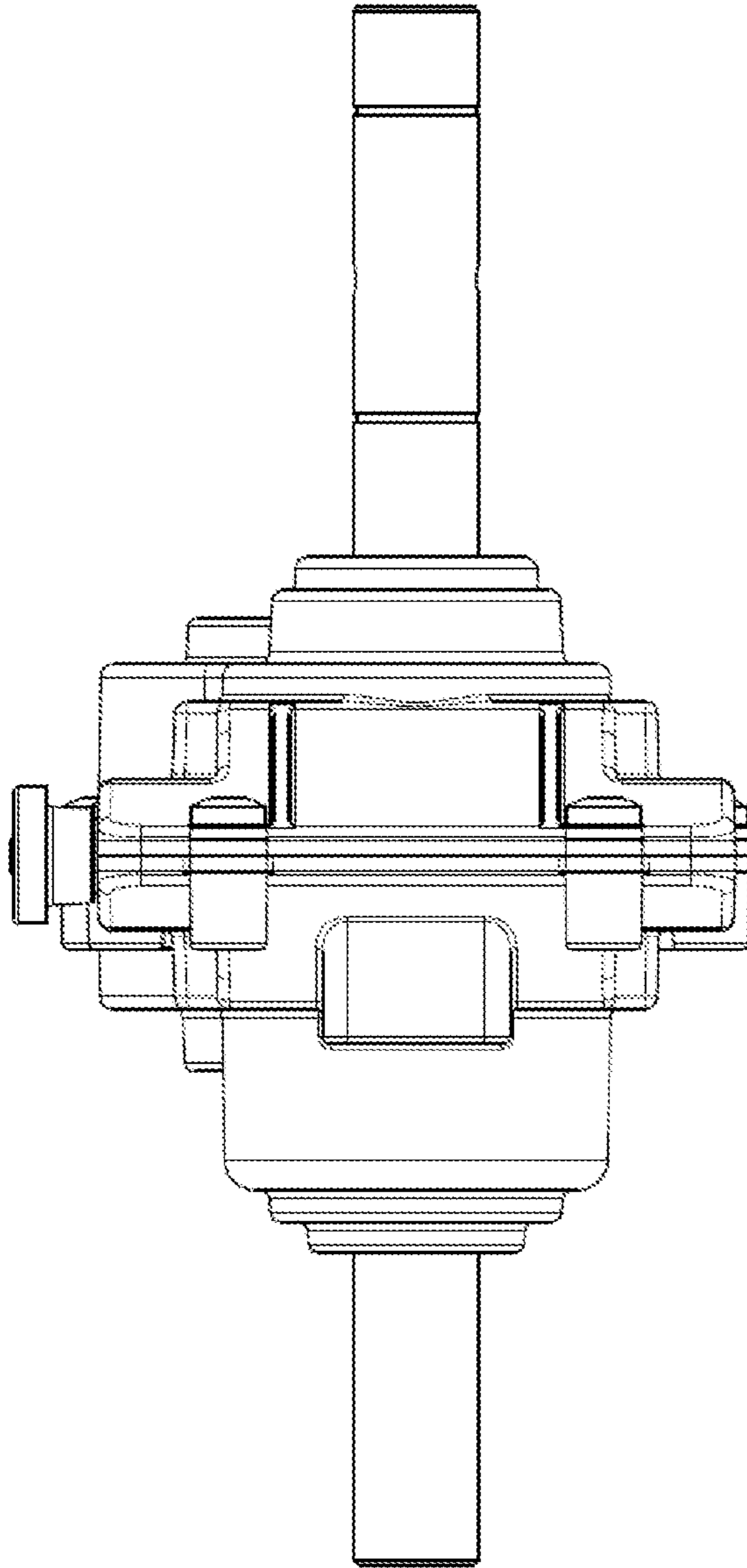


Fig. 4

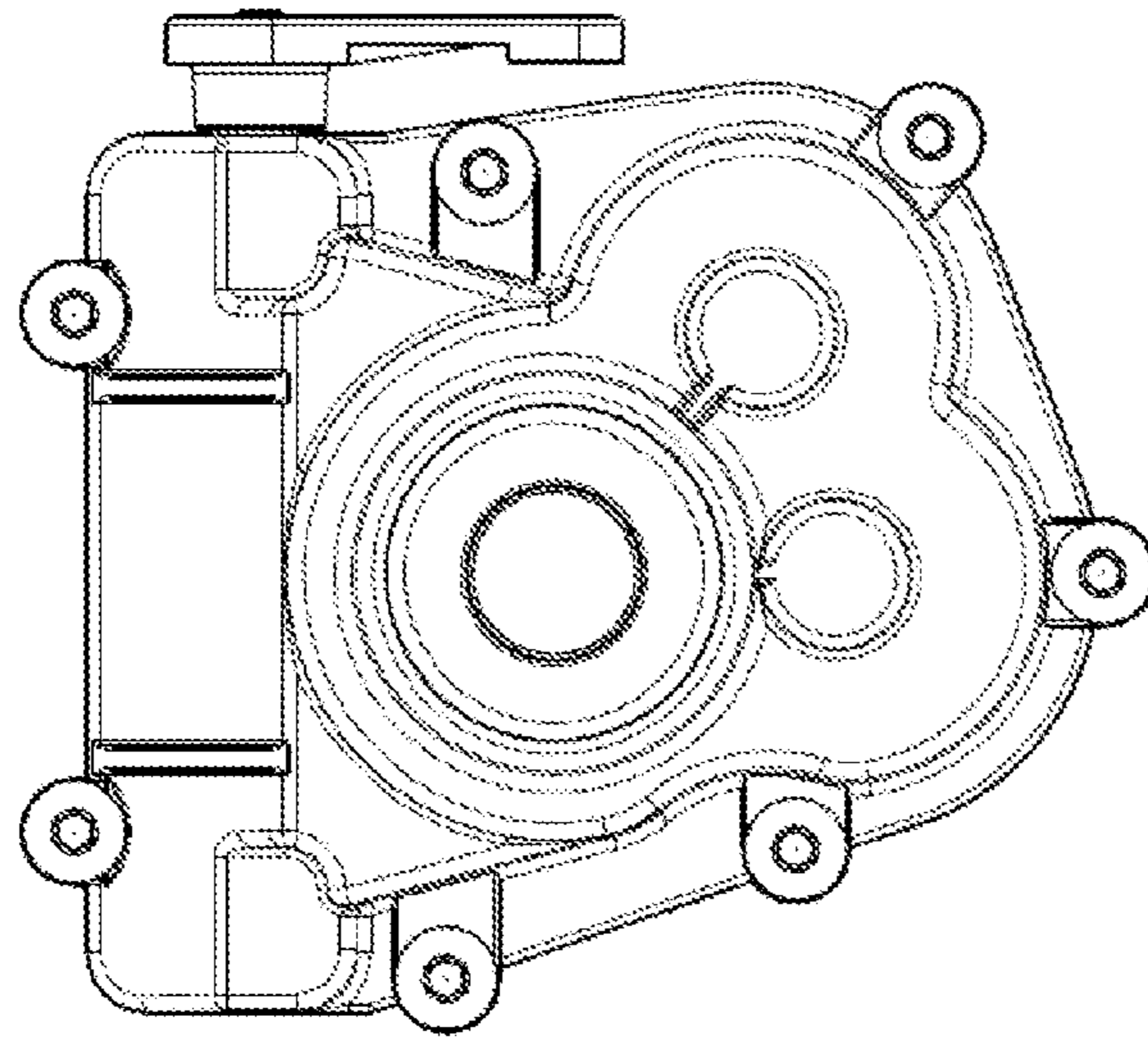


Fig. 5

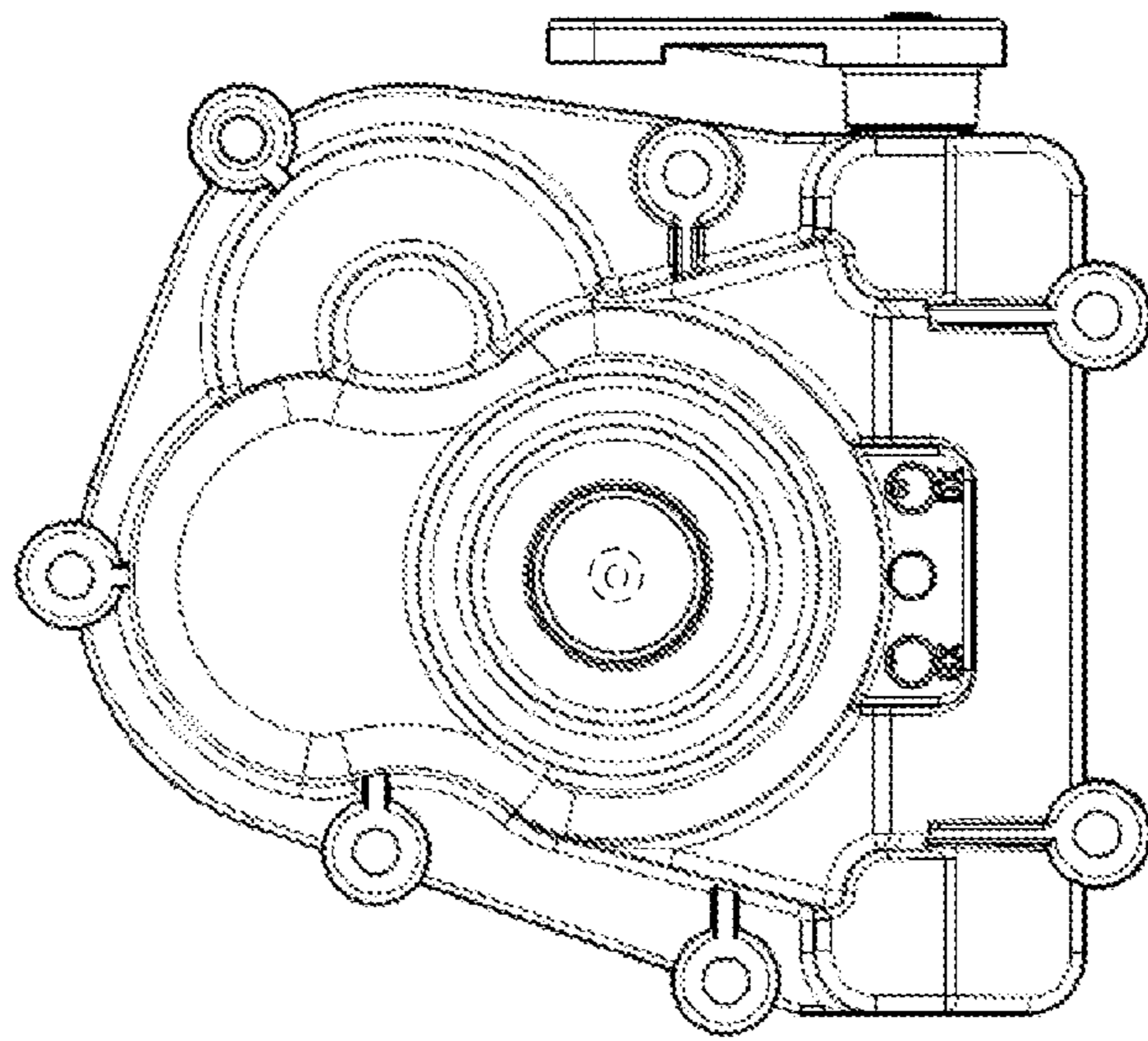


Fig. 6

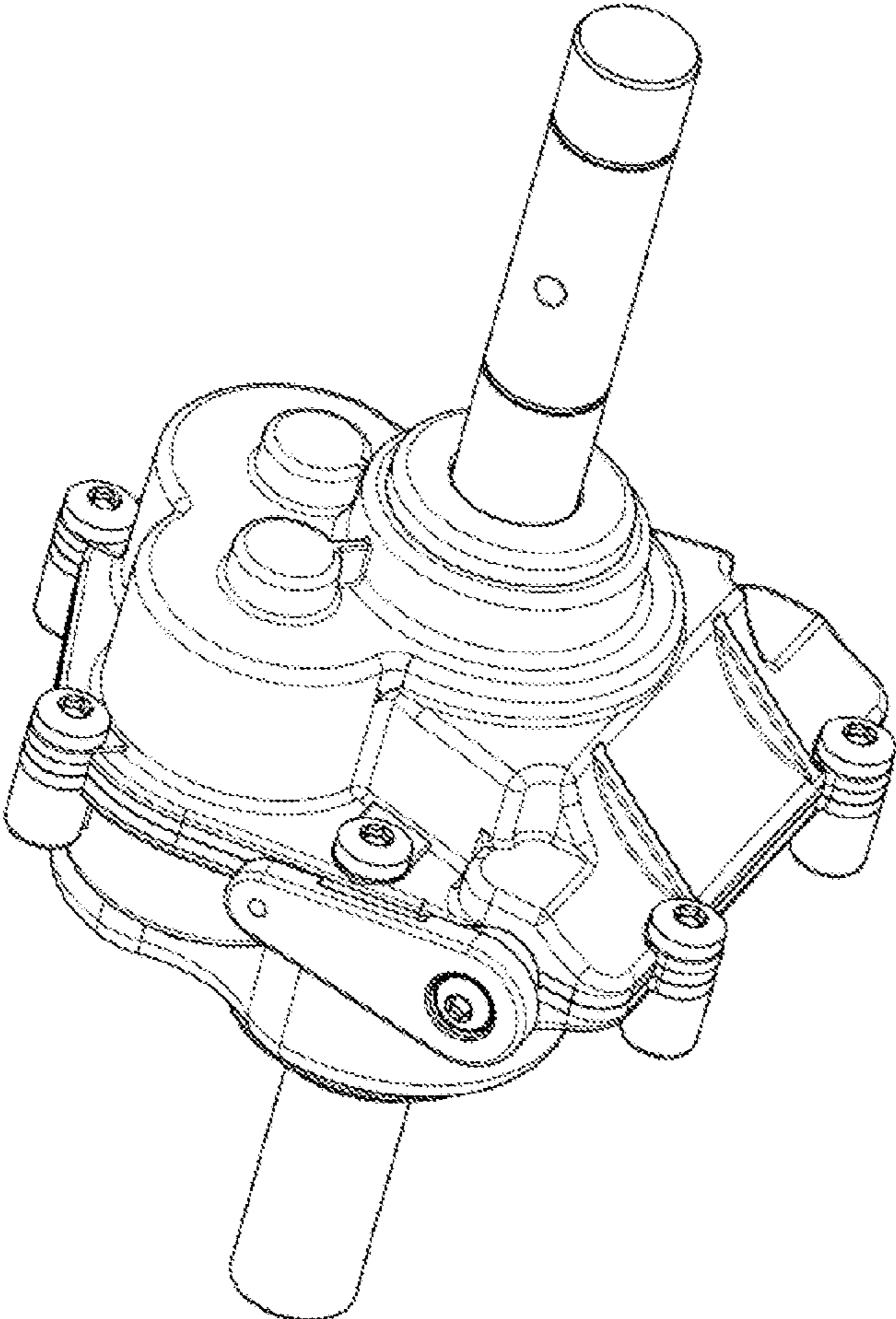


Fig. 7