



US00D679301S

(12) **United States Design Patent**
Wilkinson

(10) **Patent No.:** **US D679,301 S**

(45) **Date of Patent:** **** Apr. 2, 2013**

(54) **STUFFING BOX BUSHING WITH LANTERN RING AND A SLIT WITH A LOCKING FEATURE**

(76) **Inventor:** **Mark R. Wilkinson**, Huntington, MA (US)

(**) **Term:** **14 Years**

(21) **Appl. No.:** **29/422,709**

(22) **Filed:** **May 23, 2012**

Related U.S. Application Data

(63) Continuation-in-part of application No. 11/432,679, filed on May 11, 2006, now abandoned, which is a continuation-in-part of application No. 11/336,143, filed on Jan. 20, 2006, now abandoned.

(51) **LOC (9) Cl.** **15-09**

(52) **U.S. Cl.** **D15/143**

(58) **Field of Classification Search** D15/143;
D23/365; 277/348, 408, 511, 516, 548, 585,
277/914, 930

See application file for complete search history.

(56) **References Cited**

U.S. PATENT DOCUMENTS

600,469	A *	3/1898	Bassinger	239/18
3,697,088	A *	10/1972	Hummer	277/348
4,102,419	A *	7/1978	Klima	175/371
4,301,893	A *	11/1981	St. Jean et al.	277/516
4,909,638	A *	3/1990	Muto	384/273
5,333,883	A *	8/1994	Piper et al.	277/529

D412,336	S *	7/1999	Bakoledis	D15/143
6,142,923	A *	11/2000	Bakoledis	493/243
6,340,161	B1 *	1/2002	Zitting et al.	277/459
D458,285	S *	6/2002	Votruba et al.	D15/143
6,793,050	B2 *	9/2004	Nylander et al.	188/379
7,252,291	B2 *	8/2007	Khonsari et al.	277/360
7,458,726	B2 *	12/2008	Seilheimer	384/276
2007/0170657	A1 *	7/2007	Wilkinson	277/585
2007/0170658	A1 *	7/2007	Wilkinson	277/585
2009/0045589	A1 *	2/2009	Patton et al.	277/516

* cited by examiner

Primary Examiner — Patricia Palasik

(74) *Attorney, Agent, or Firm* — Michael I. Wolfson

(57) **CLAIM**

The ornamental design for a stuffing box bushing with lantern ring and a slit with a locking feature, as shown and described.

DESCRIPTION

FIG. 1 is a top perspective view of a stuffing box bushing with lantern ring and having a slit with a locking feature showing my new design;

FIG. 2 is a front elevational view thereof;

FIG. 3 is a left side elevational view thereof;

FIG. 4 is a right side elevational view thereof;

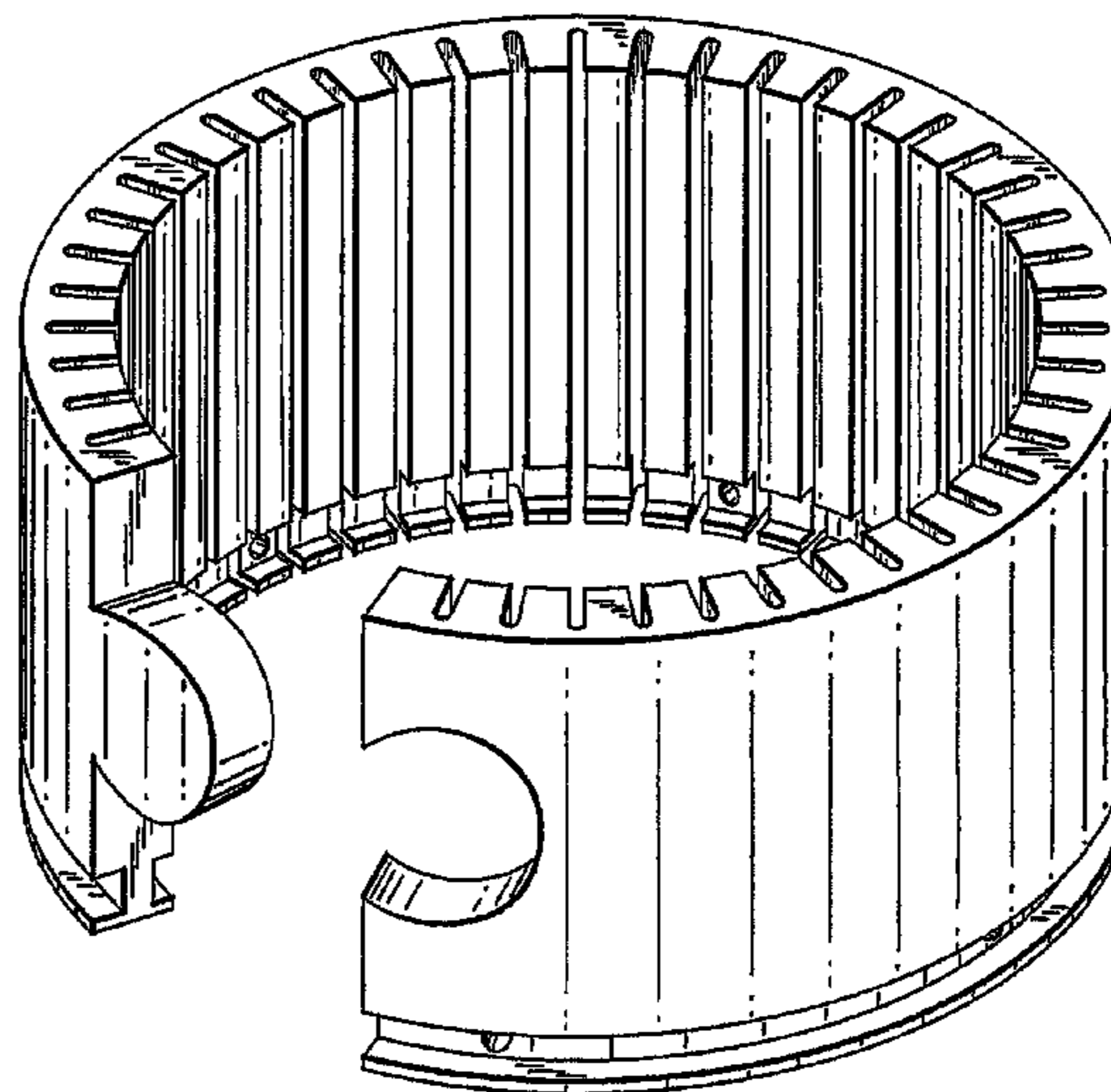
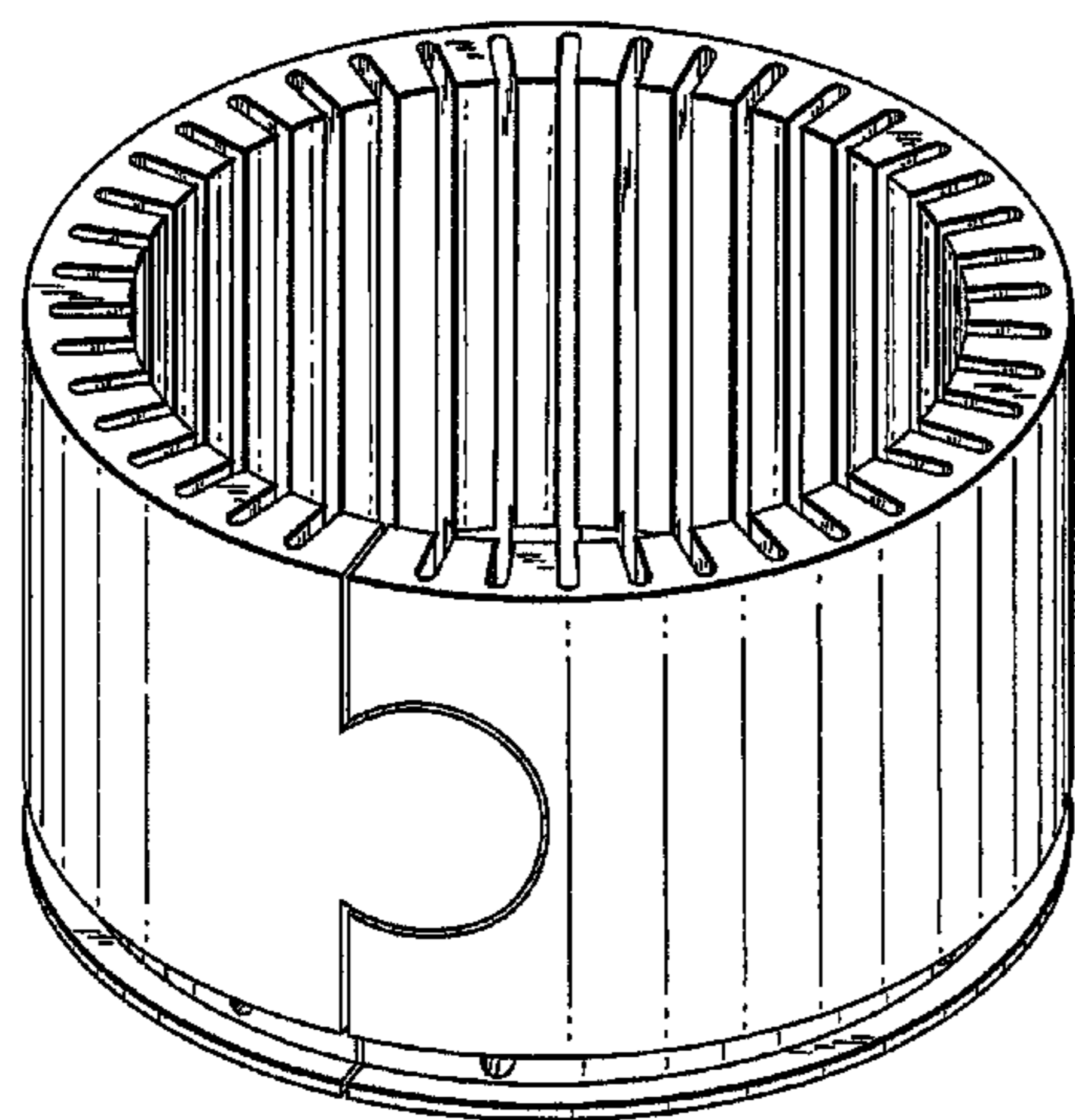
FIG. 5 is a rear elevational view thereof;

FIG. 6 is a top plan view thereof;

FIG. 7 is a bottom plan view thereof; and,

FIG. 8 is a top perspective view of the bushing showing the slit open.

1 Claim, 6 Drawing Sheets



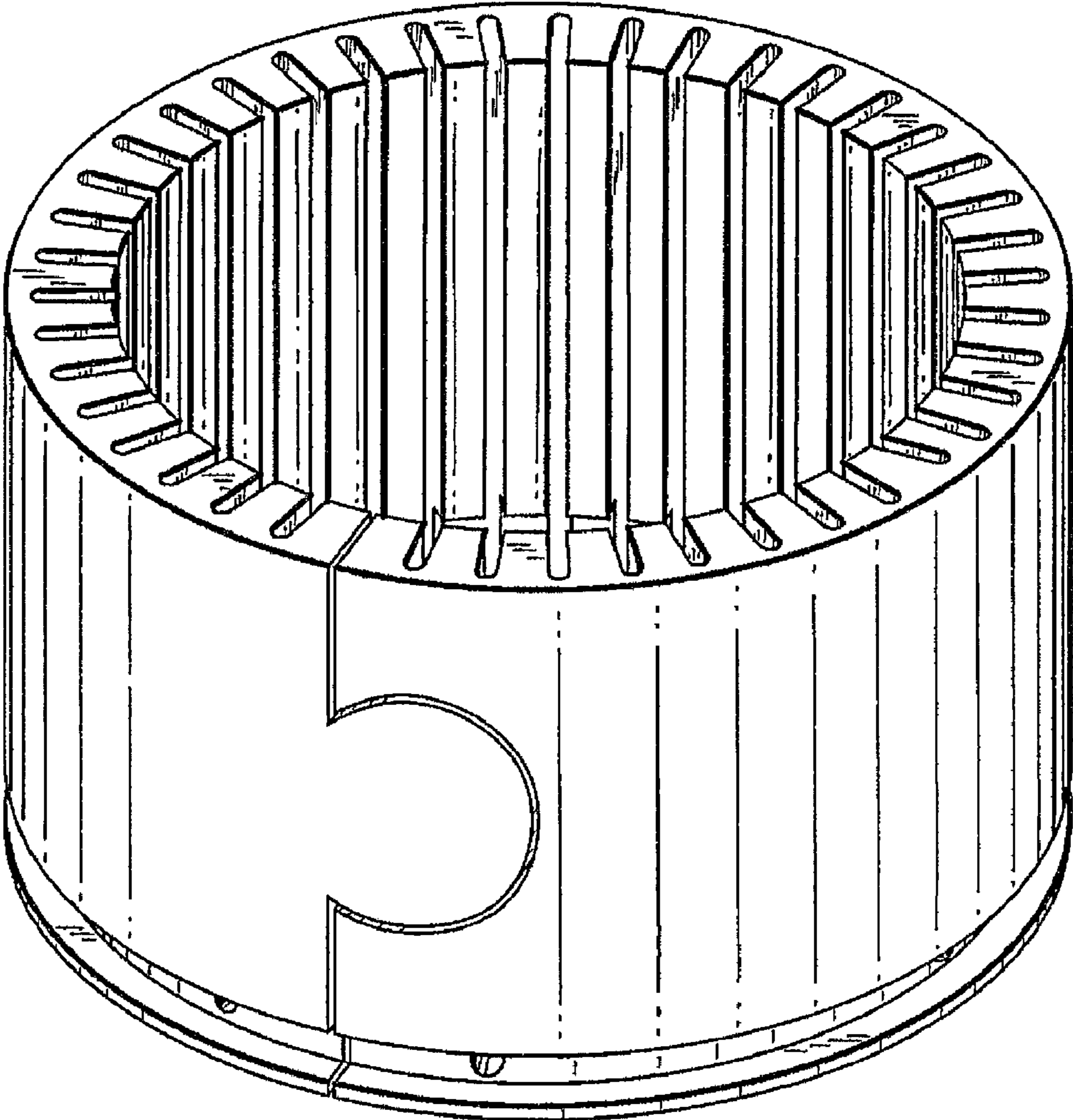


FIG. 1

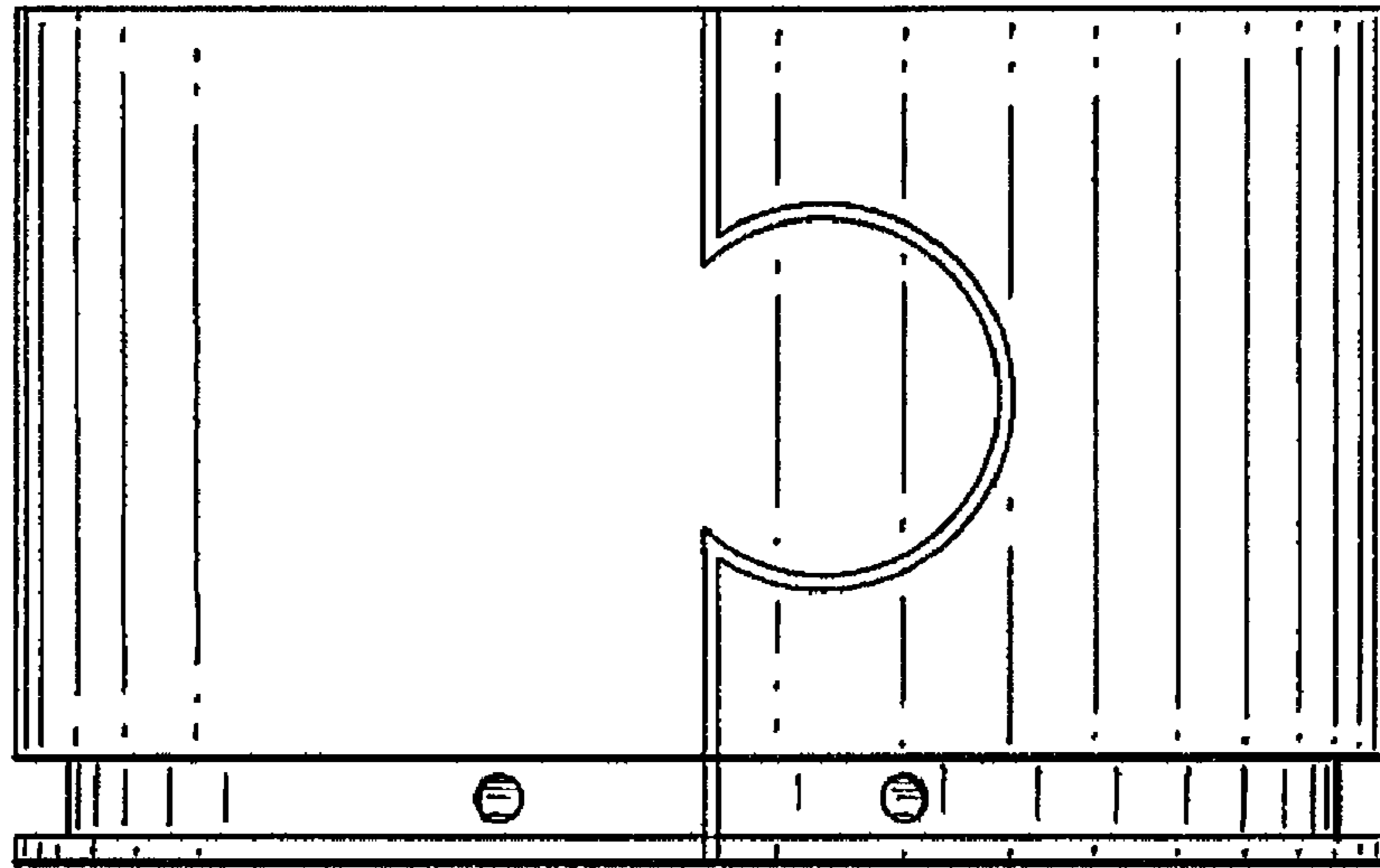


FIG. 2

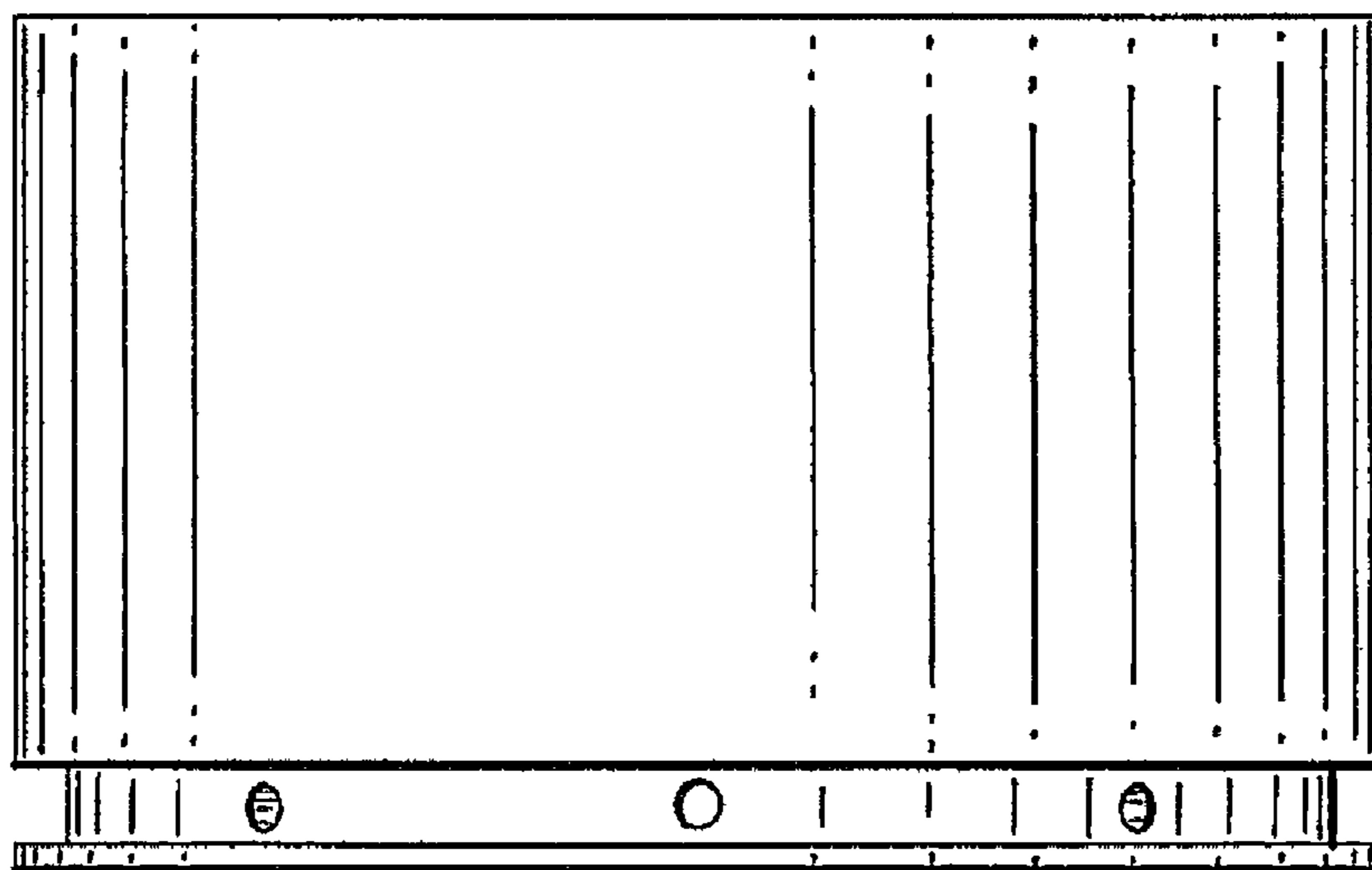


FIG. 3

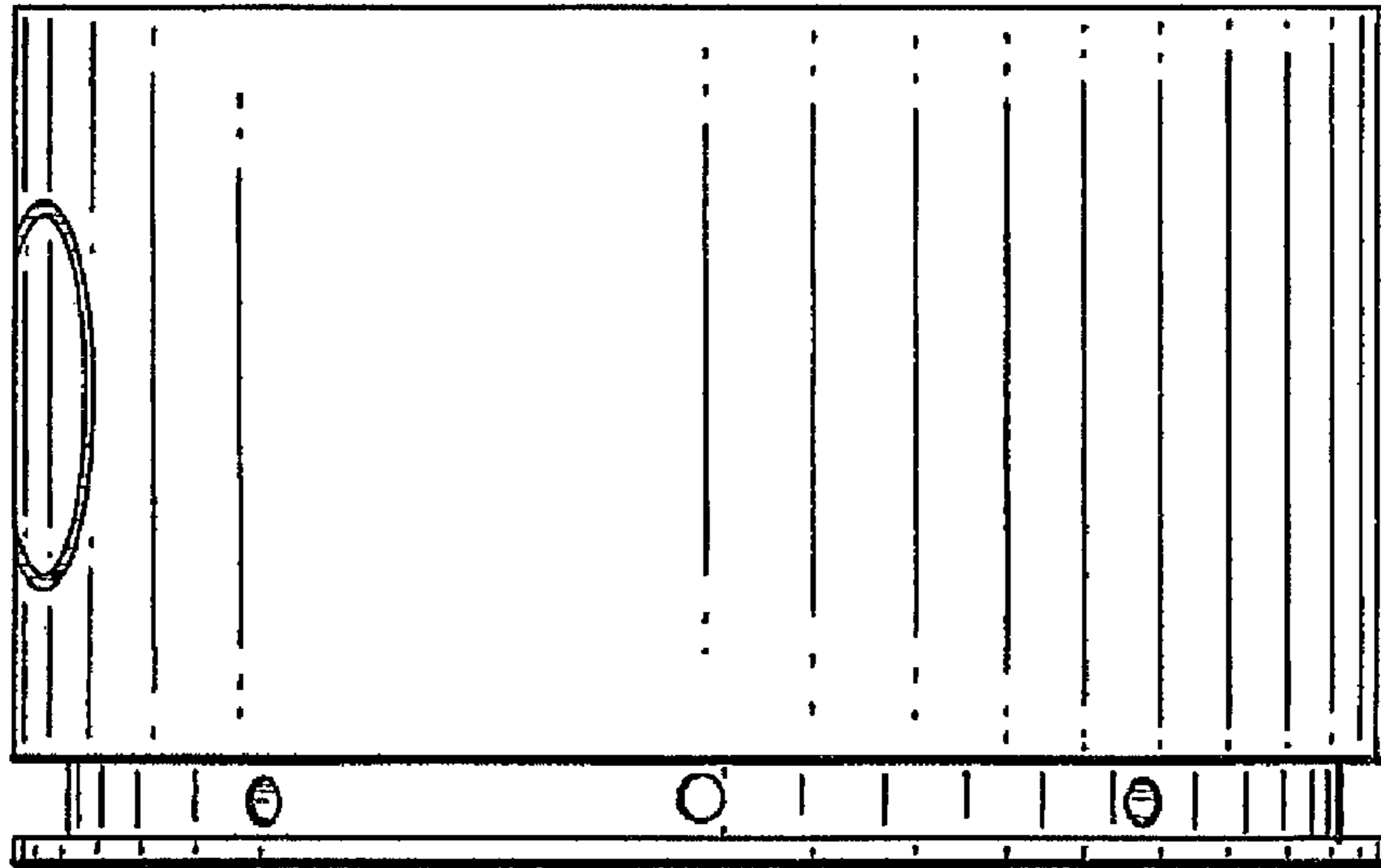


FIG. 4

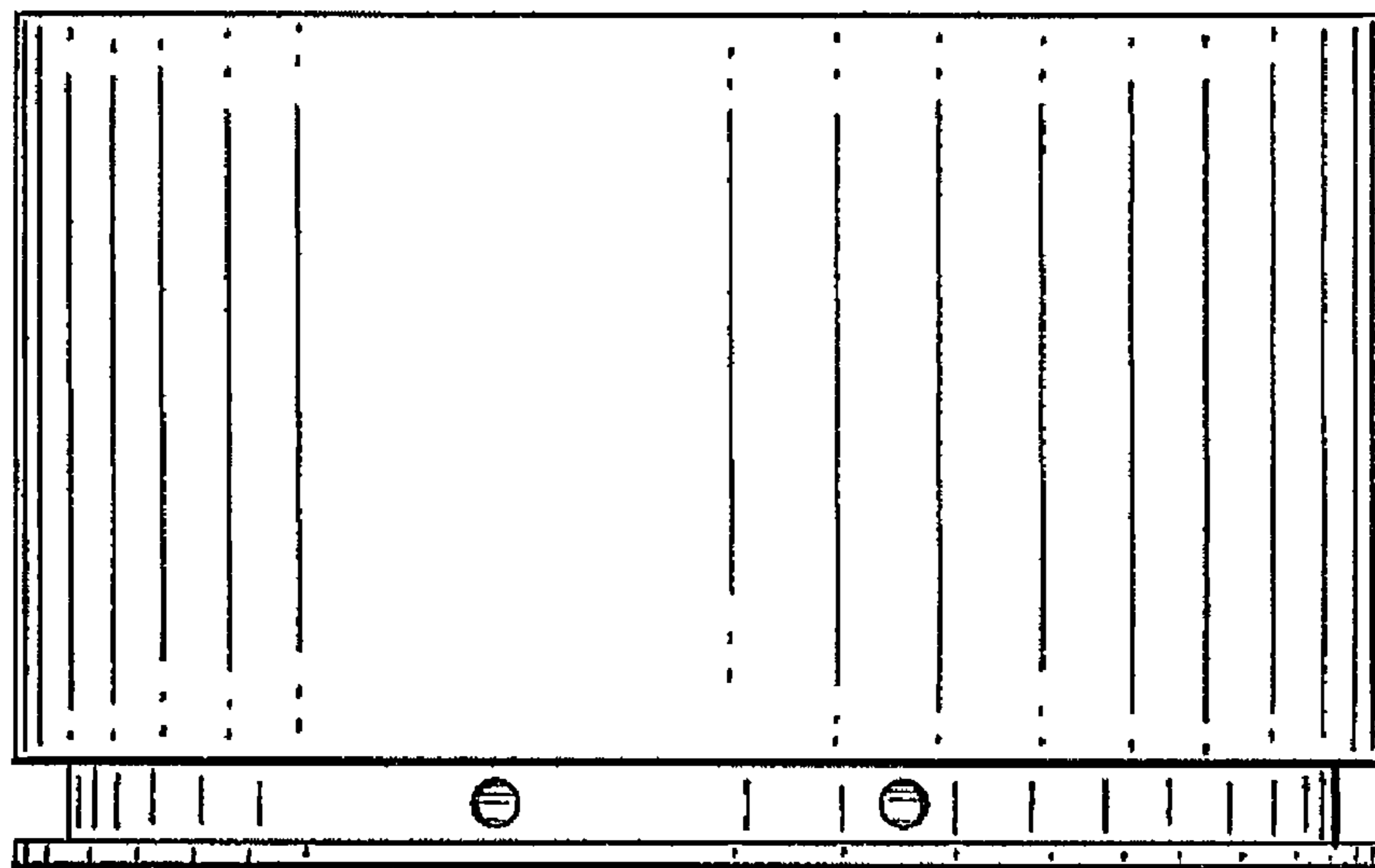


FIG. 5

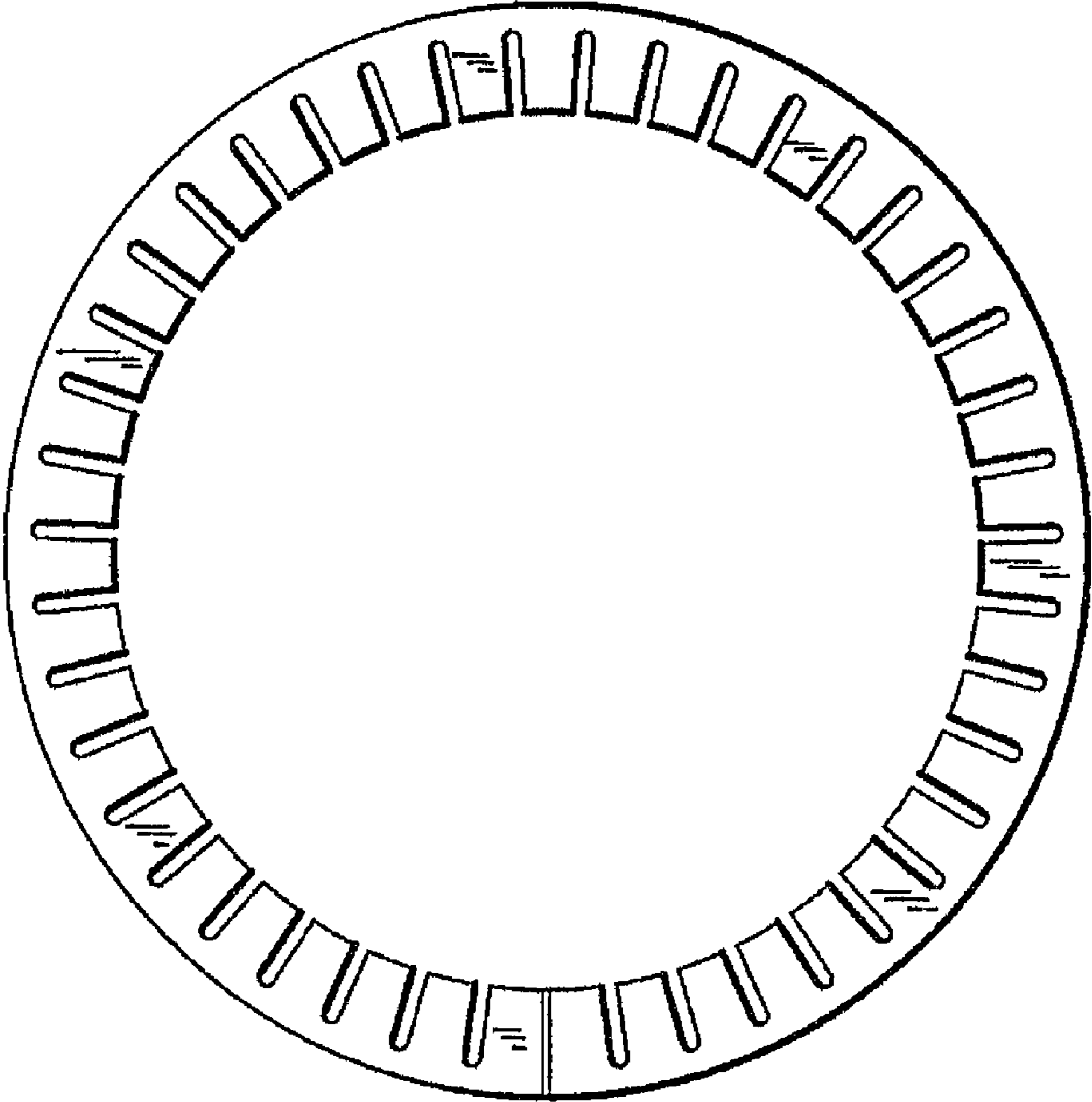


FIG.6

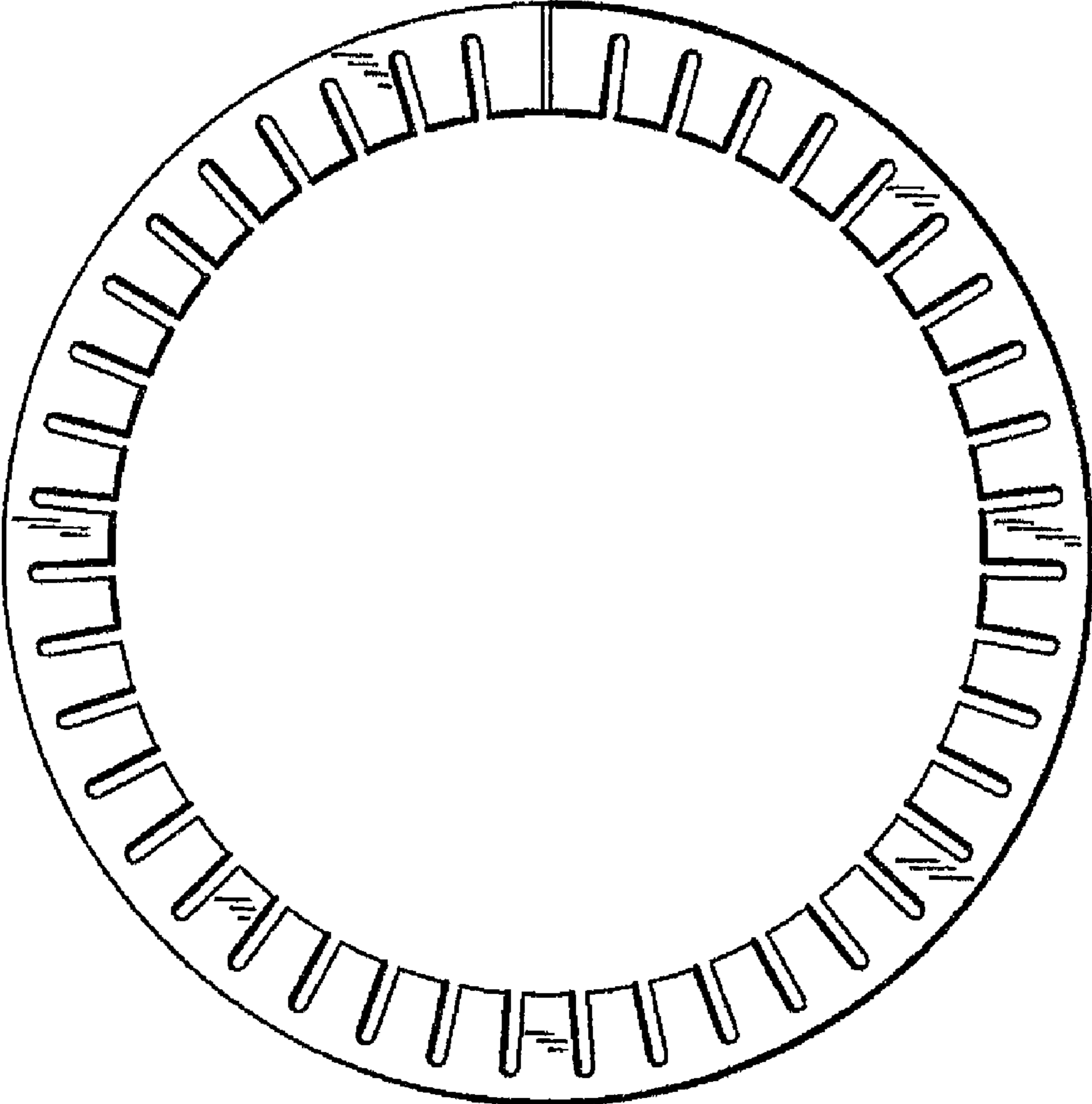


FIG. 7

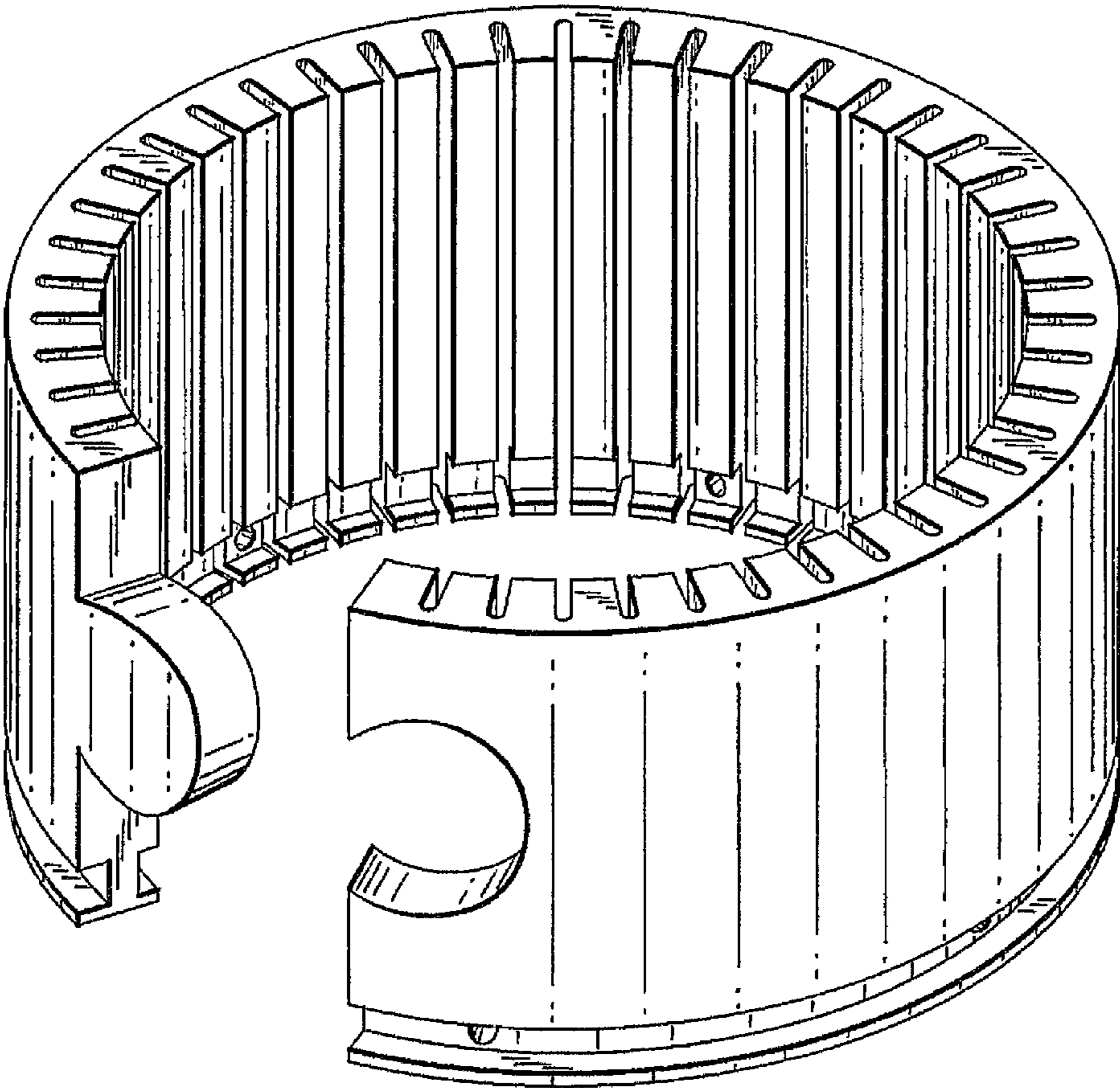


FIG.8