

US00D679299S

(12) **United States Design Patent**
Greiderer

(10) **Patent No.:** **US D679,299 S**

(45) **Date of Patent:** **** Apr. 2, 2013**

(54) **ABRASIVE DISC**

(75) Inventor: **Andreas Greiderer**, Schwaz (AT)

(73) Assignee: **Tyrolit-Schleifmittel Werke Swarovski K.G.**, Schwaz (AT)

(**) Term: **14 Years**

(21) Appl. No.: **29/418,981**

(22) Filed: **Apr. 24, 2012**

(30) **Foreign Application Priority Data**

Nov. 11, 2011 (EM) 001946021-0001

(51) **LOC (9) Cl.** **15-09**

(52) **U.S. Cl.** **D15/126**

(58) **Field of Classification Search** D8/63,
D8/70; D15/124, 125, 126, 138, 139; 30/307,
30/346, 347, 355, 388, 389, 390; 83/478,
83/663, 676, 835, 839, 848, 852, 854, 855;
125/15, 18, 230, 231; 451/41, 47, 56, 259,
451/324, 359, 420, 443, 490, 510, 523, 533,
451/540, 541, 542, 544, 545, 547, 548-551

See application file for complete search history.

(56) **References Cited**

U.S. PATENT DOCUMENTS

2,749,681	A *	6/1956	Reidenbach	451/527
2,804,733	A *	9/1957	Hurst	451/529
3,353,308	A *	11/1967	Zane	451/529
D277,486	S *	2/1985	Yanagiura	D15/126
D407,618	S *	4/1999	Fujikawa	D8/70
D426,560	S *	6/2000	Texler et al.	D15/139
6,077,581	A *	6/2000	Kuramochi et al.	428/64.1
6,245,406	B1 *	6/2001	Kuramochi et al.	428/64.1
D444,483	S *	7/2001	Sunagawa	D15/126
D460,767	S *	7/2002	Kim et al.	D15/139
D586,370	S *	2/2009	Owen et al.	D15/126
D664,571	S *	7/2012	Beyer et al.	D15/125
2010/0015898	A1 *	1/2010	An et al.	451/443

* cited by examiner

Primary Examiner — Patricia Palasik

(74) *Attorney, Agent, or Firm* — Wenderoth, Lind & Ponack, L.L.P.

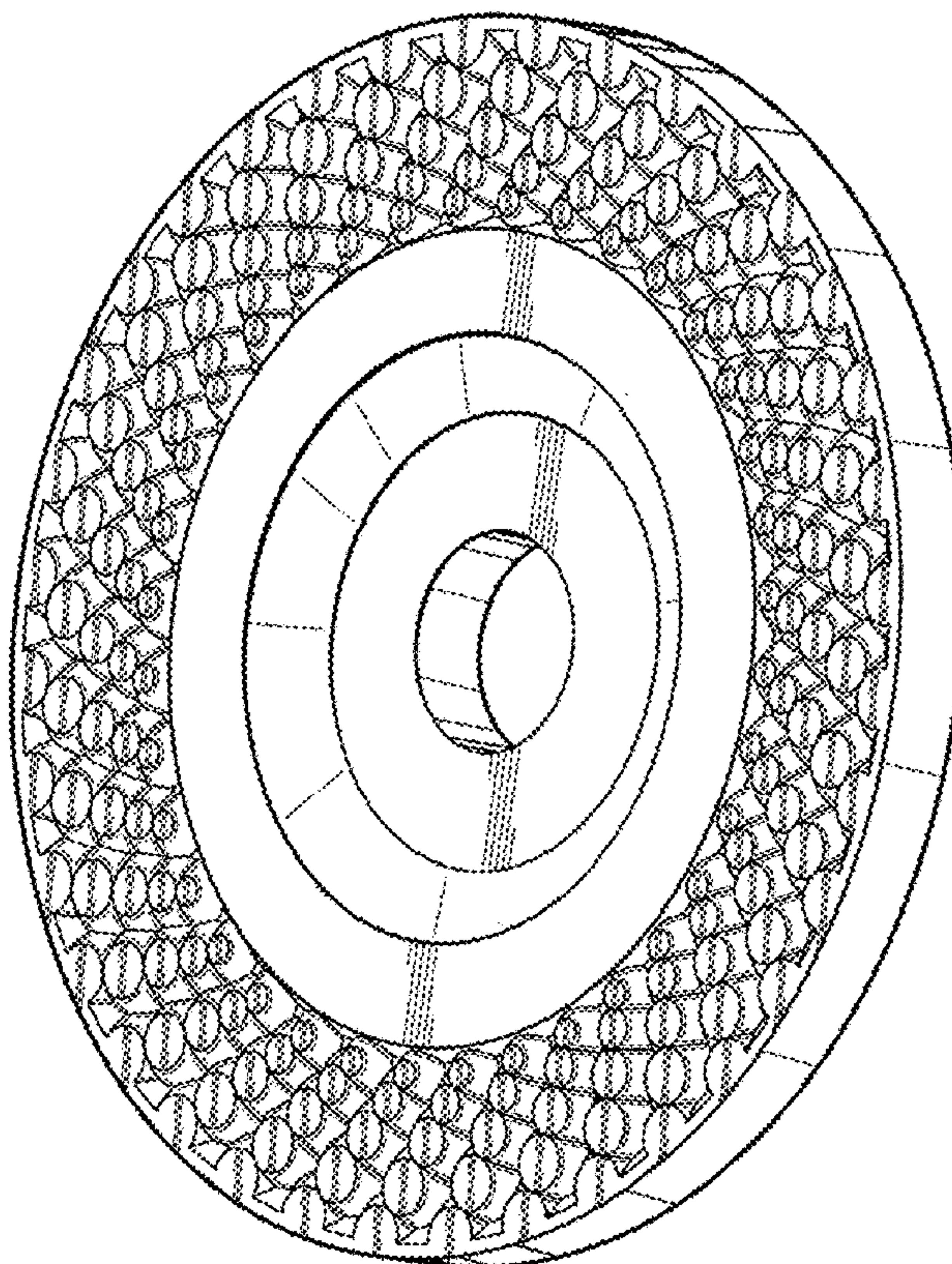
(57) **CLAIM**

The ornamental design for an abrasive disc, as shown and described.

DESCRIPTION

FIG. 1 is a perspective view of an abrasive disc;
FIG. 2 is a front view thereof;
FIG. 3 is a side view thereof;
FIG. 4 is a back view thereof; and,
FIG. 5 is a cross section of FIG. 2.

1 Claim, 5 Drawing Sheets



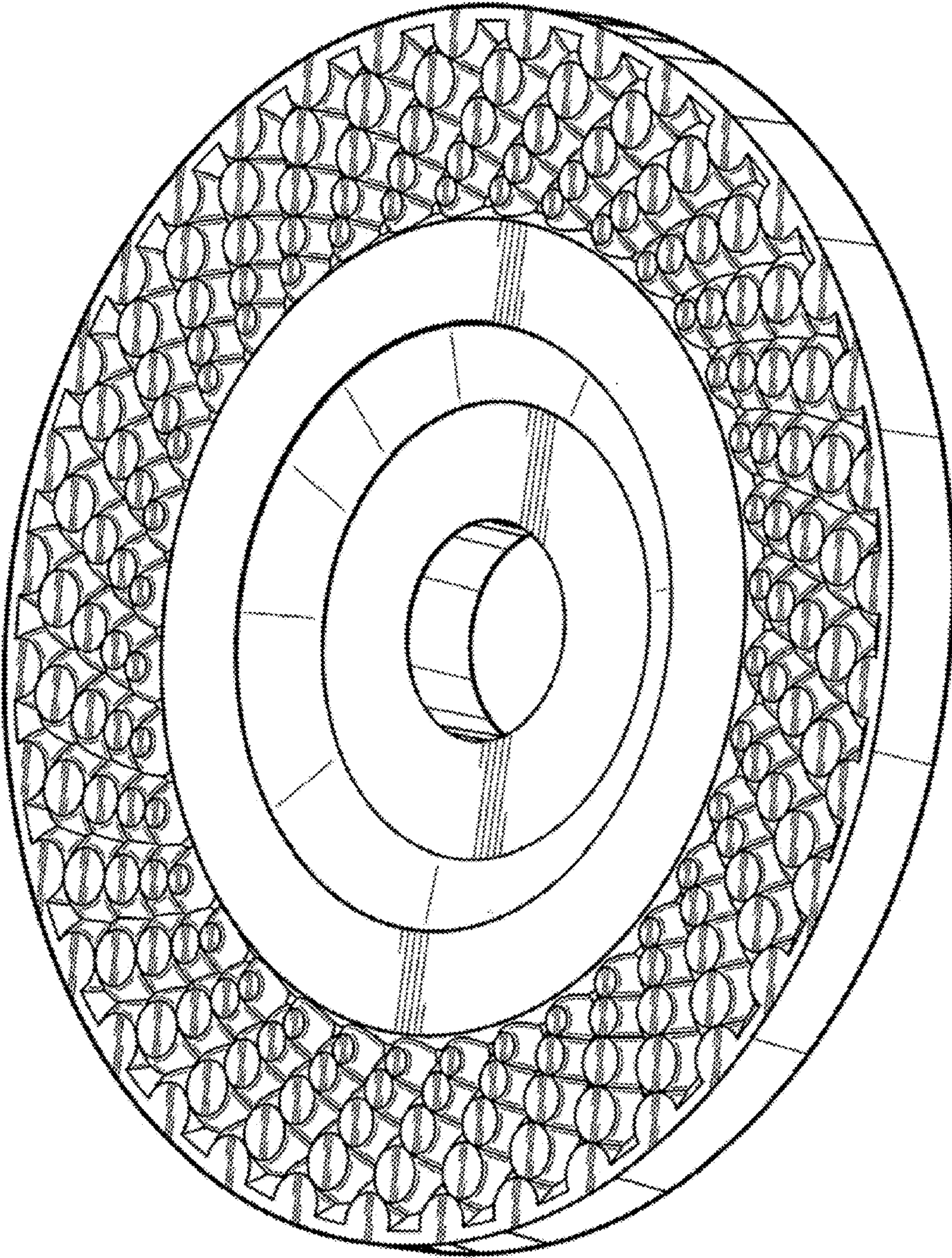


FIG. 1

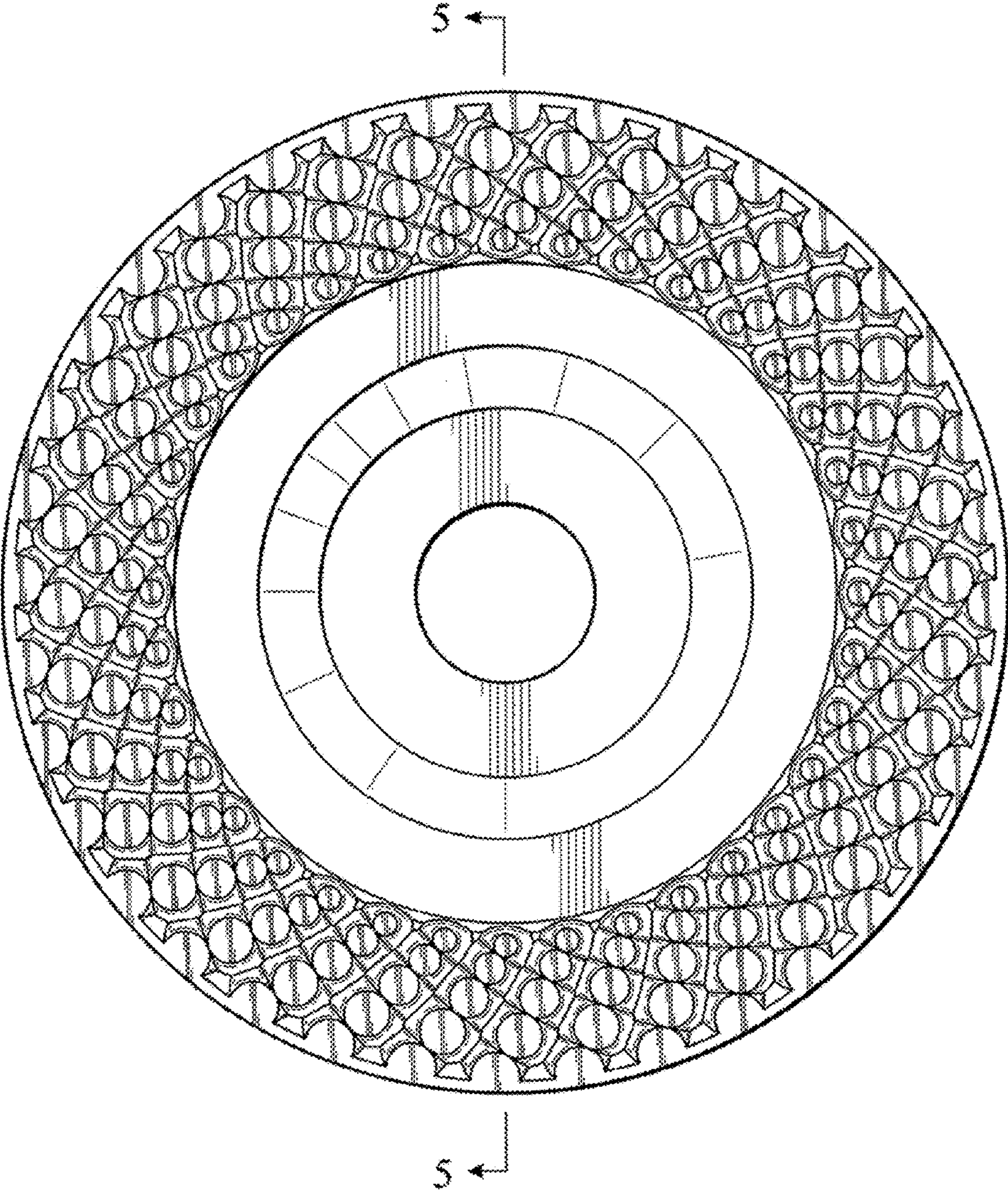


FIG. 2

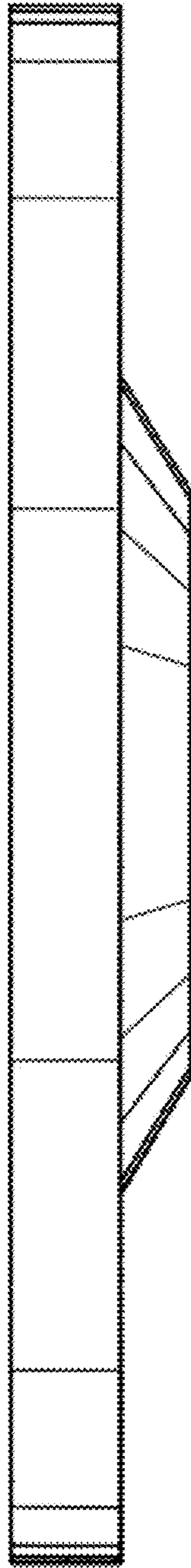


FIG. 3

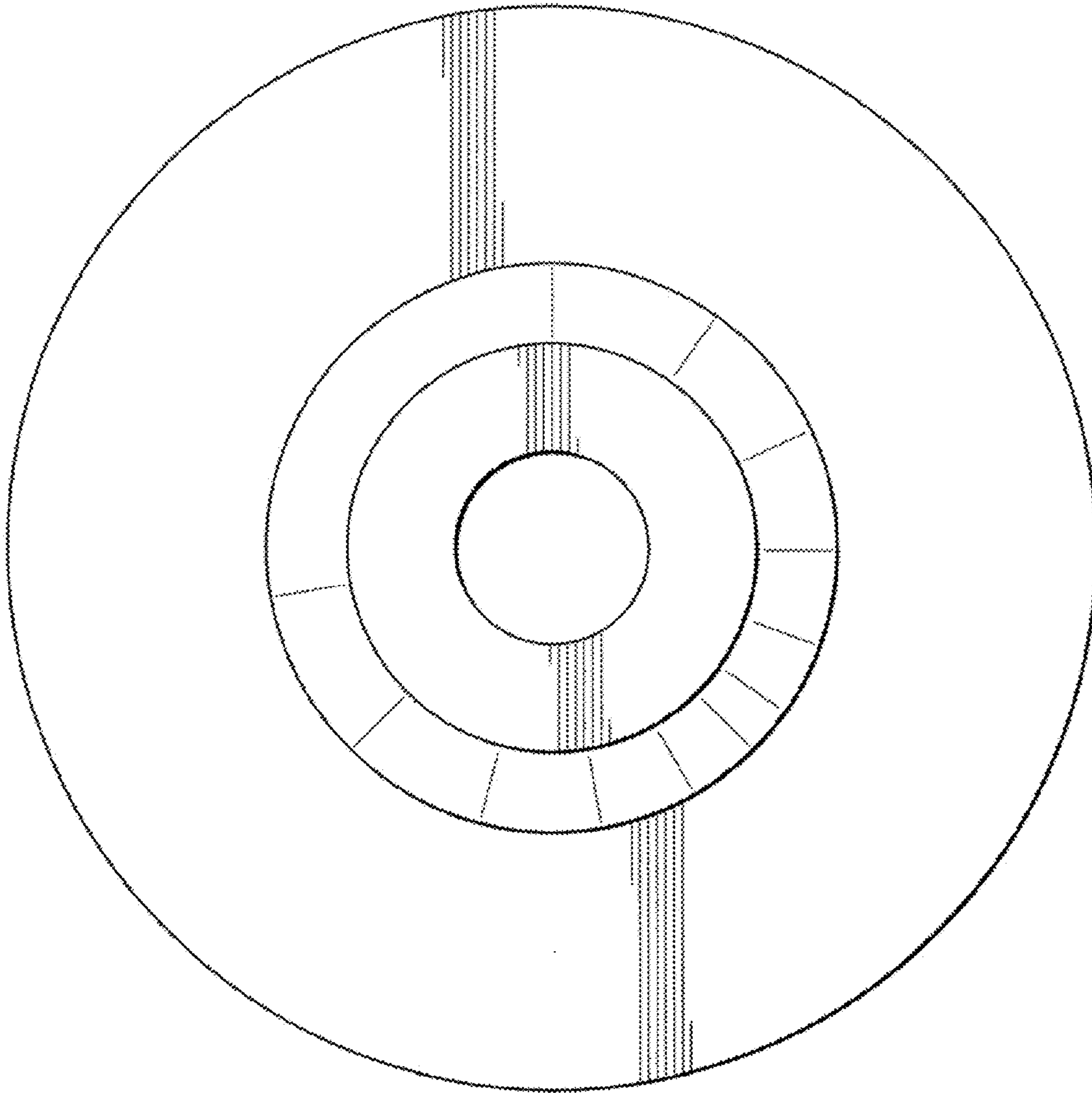


FIG. 4

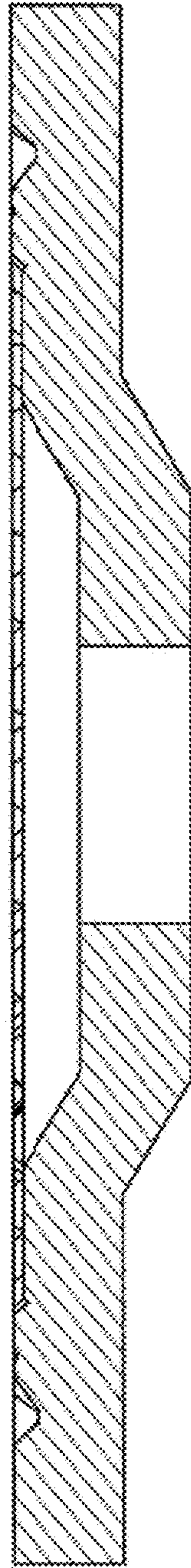


FIG. 5

UNITED STATES PATENT AND TRADEMARK OFFICE
CERTIFICATE OF CORRECTION

PATENT NO. : D679,299 S
APPLICATION NO. : 29/418981
DATED : April 2, 2013
INVENTOR(S) : Andreas Greiderer

Page 1 of 1

It is certified that error appears in the above-identified patent and that said Letters Patent is hereby corrected as shown below:

On the Title Page

In item (73) Assignee: "Tyrolit-Schleifmittel Werke Swarovski K.G., Schwaz (AT)" to
--Tyrolit-Schleifmittelwerke Swarovski K.G., Schwaz (AT)--

Signed and Sealed this
Eighteenth Day of July, 2017



Joseph Matal
*Performing the Functions and Duties of the
Under Secretary of Commerce for Intellectual Property and
Director of the United States Patent and Trademark Office*