



US00D679297S

(12) **United States Design Patent**
Asano et al.

(10) **Patent No.:** **US D679,297 S**
(45) **Date of Patent:** **** Apr. 2, 2013**

(54) **SEWING MACHINE**

(75) Inventors: **Masahide Asano**, Nagoya (JP);
Mitsuharu Hattori, Nagoya (JP)

(73) Assignee: **Brother Industries, Ltd.**, Nagoya (JP)

(**) Term: **14 Years**

(21) Appl. No.: **29/416,381**

(22) Filed: **Mar. 21, 2012**

(51) **LOC (9) Cl.** **15-06**

(52) **U.S. Cl.** **D15/69**

(58) **Field of Classification Search** D15/66-76;
112/2, 63, 78, 154, 163, 217.1-217.4, 258-261,
112/444

See application file for complete search history.

(56) **References Cited**

U.S. PATENT DOCUMENTS

D292,929 S *	11/1987	Yoneda	D15/69
D293,115 S *	12/1987	Kuroki	D15/69
D301,888 S *	6/1989	Kuroki et al.	D15/69
D450,332 S *	11/2001	Kuroki et al.	D15/69

D523,030 S *	6/2006	Muto	D15/69
D524,829 S *	7/2006	Muto	D15/69
D529,054 S *	9/2006	Hosoi et al.	D15/69
D534,930 S *	1/2007	Hosoi et al.	D15/69
D629,020 S *	12/2010	Hattori	D15/69

* cited by examiner

Primary Examiner — Mitchell Siegel

(74) *Attorney, Agent, or Firm* — Oliff & Berridge, PLC

(57) **CLAIM**

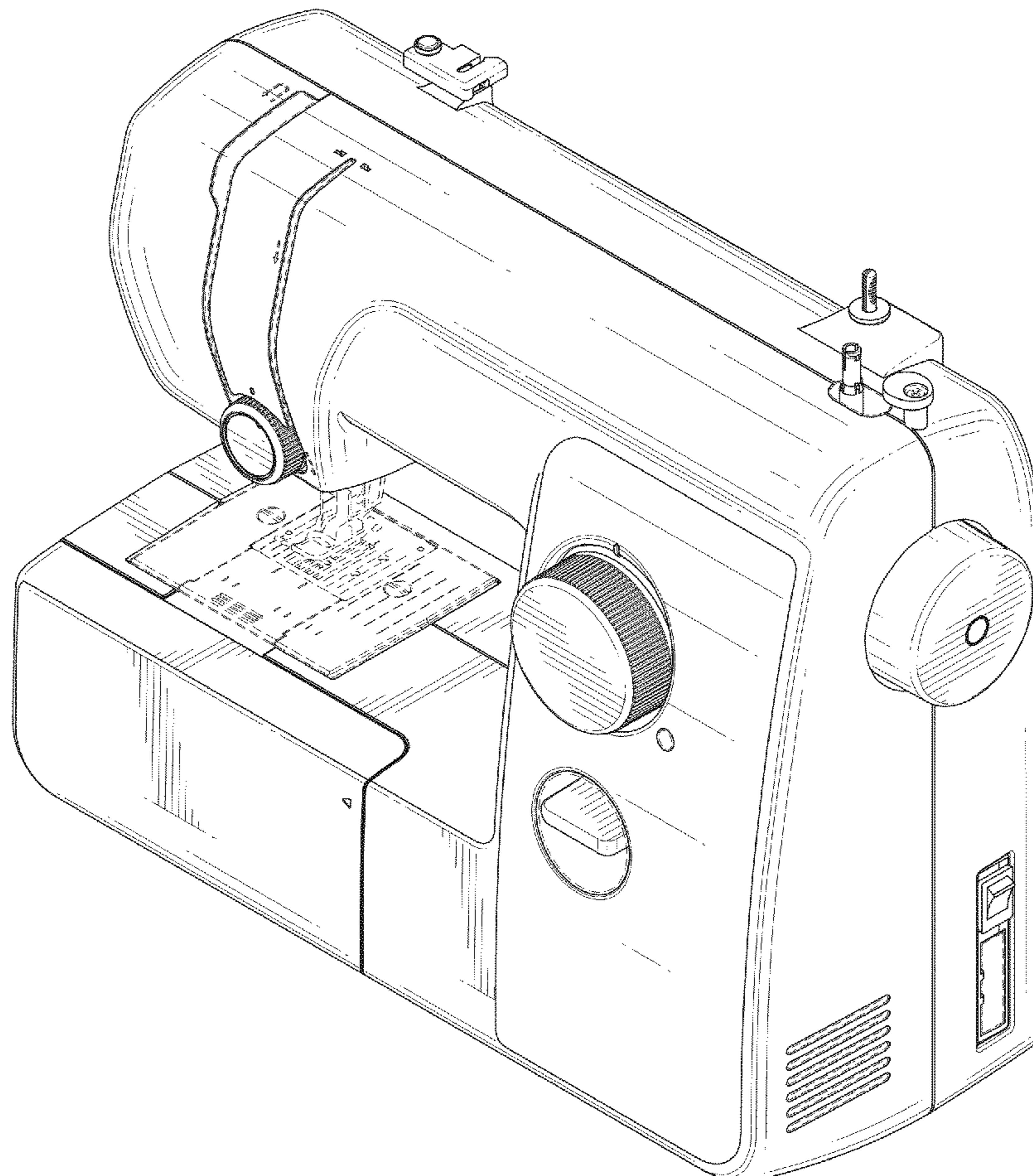
The ornamental design for a sewing machine, as shown and described.

DESCRIPTION

FIG. 1 is a perspective view of a sewing machine;
FIG. 2 is a front view thereof;
FIG. 3 is a top view thereof;
FIG. 4 is a right-side view thereof;
FIG. 5 is a left-side view thereof;
FIG. 6 is a rear view thereof; and,
FIG. 7 is a bottom view thereof.

The broken lines depict unclaimed portions only and form no part of the claimed design.

1 Claim, 7 Drawing Sheets



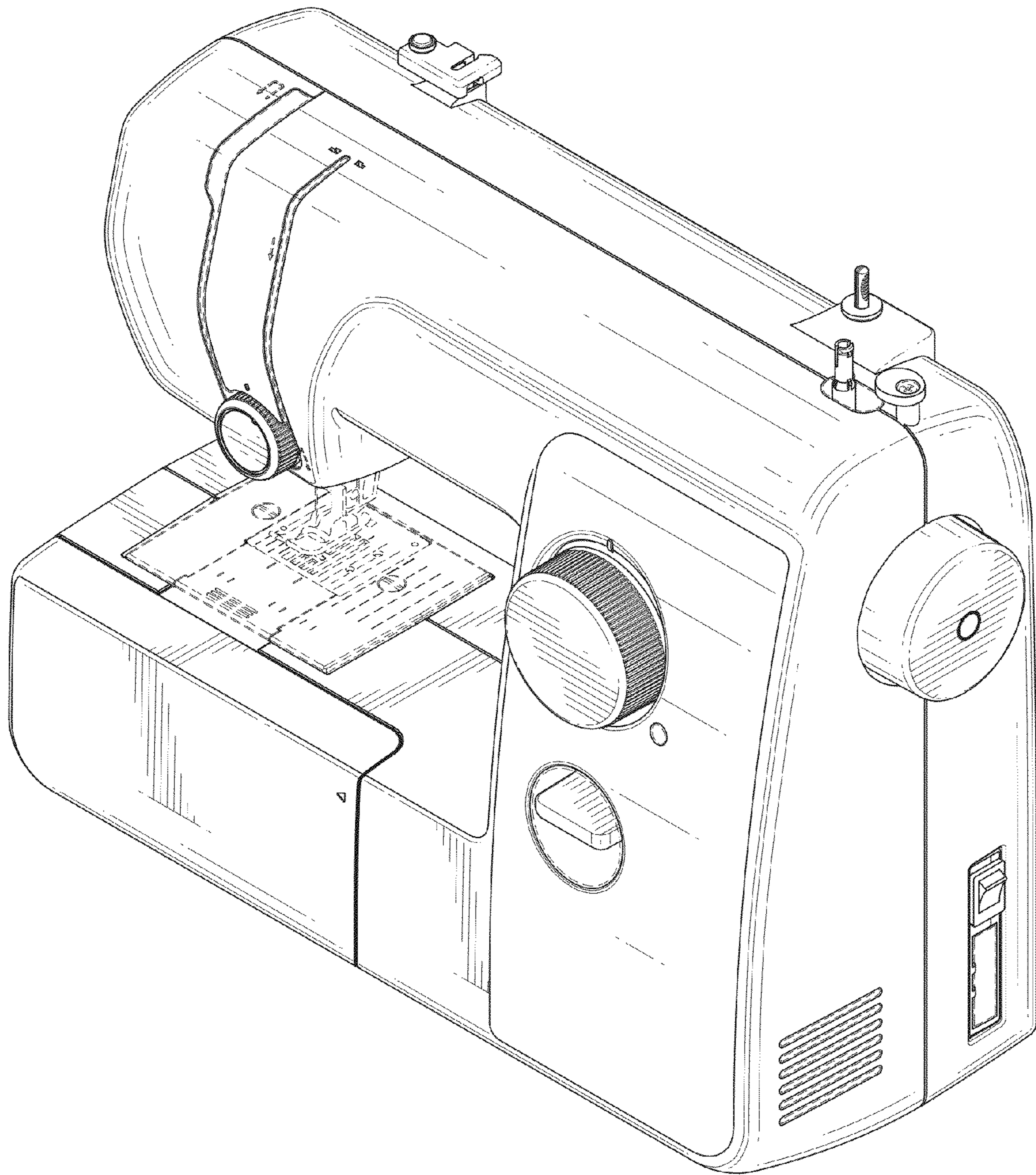


FIG. 1

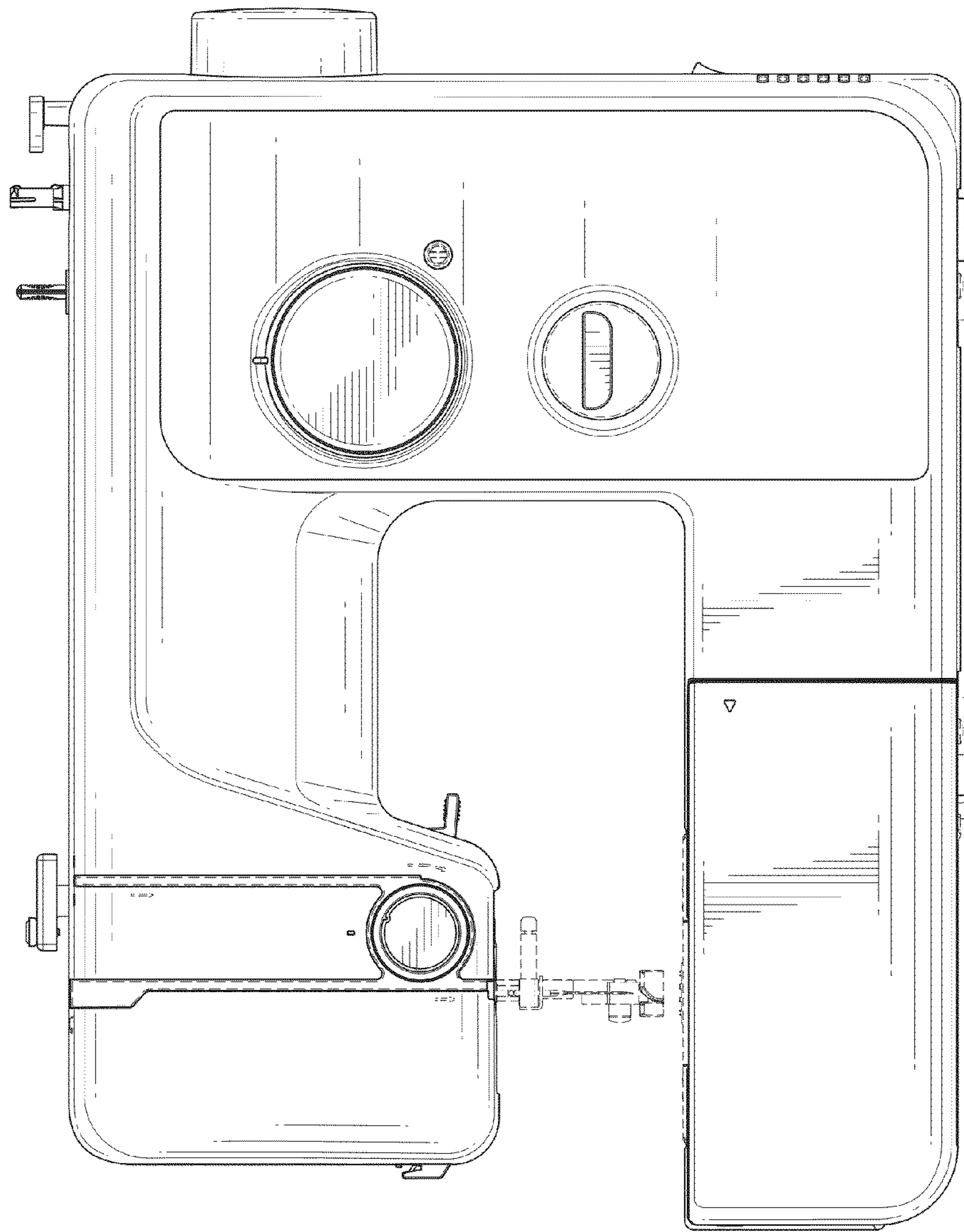


FIG. 2

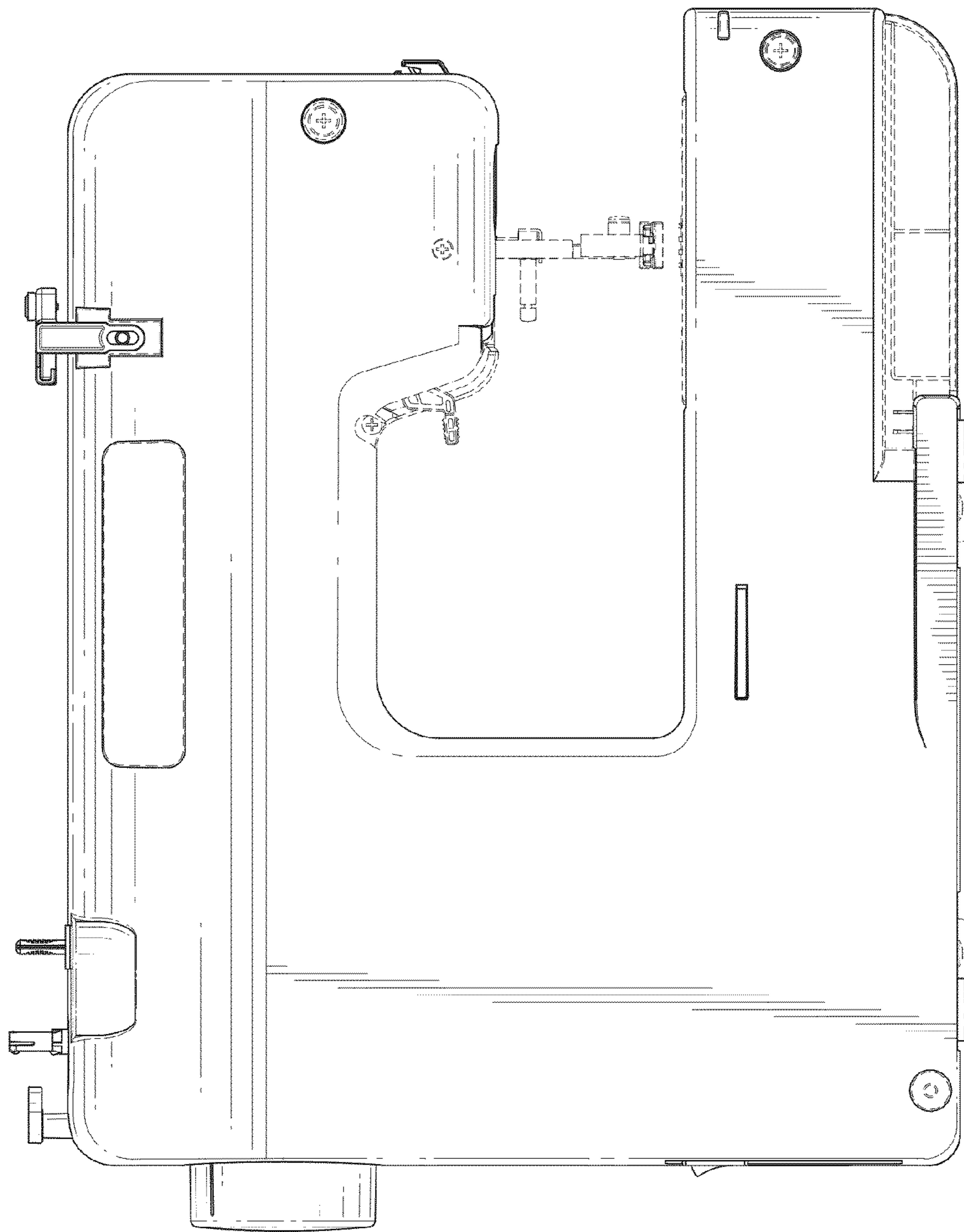


FIG.3

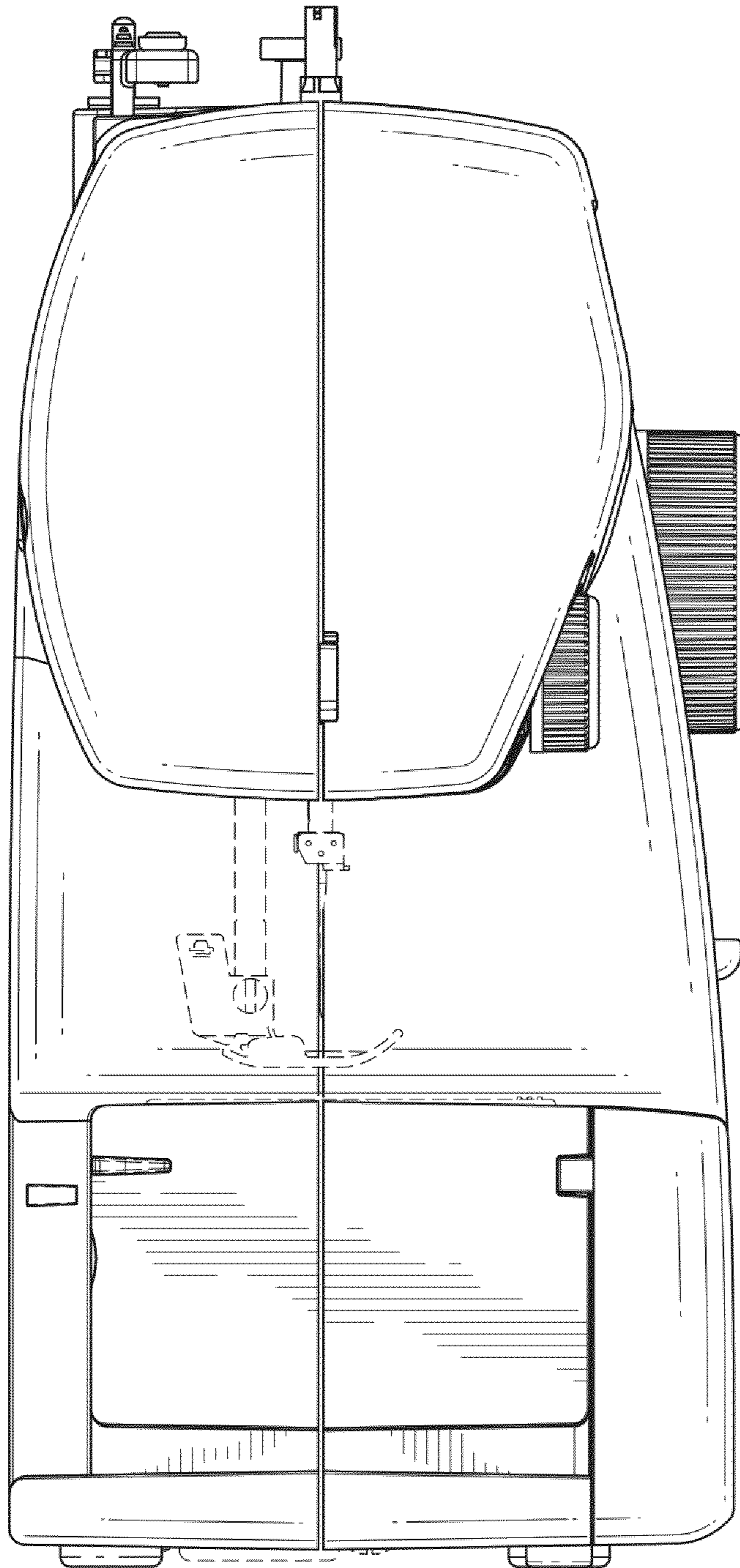


FIG.4

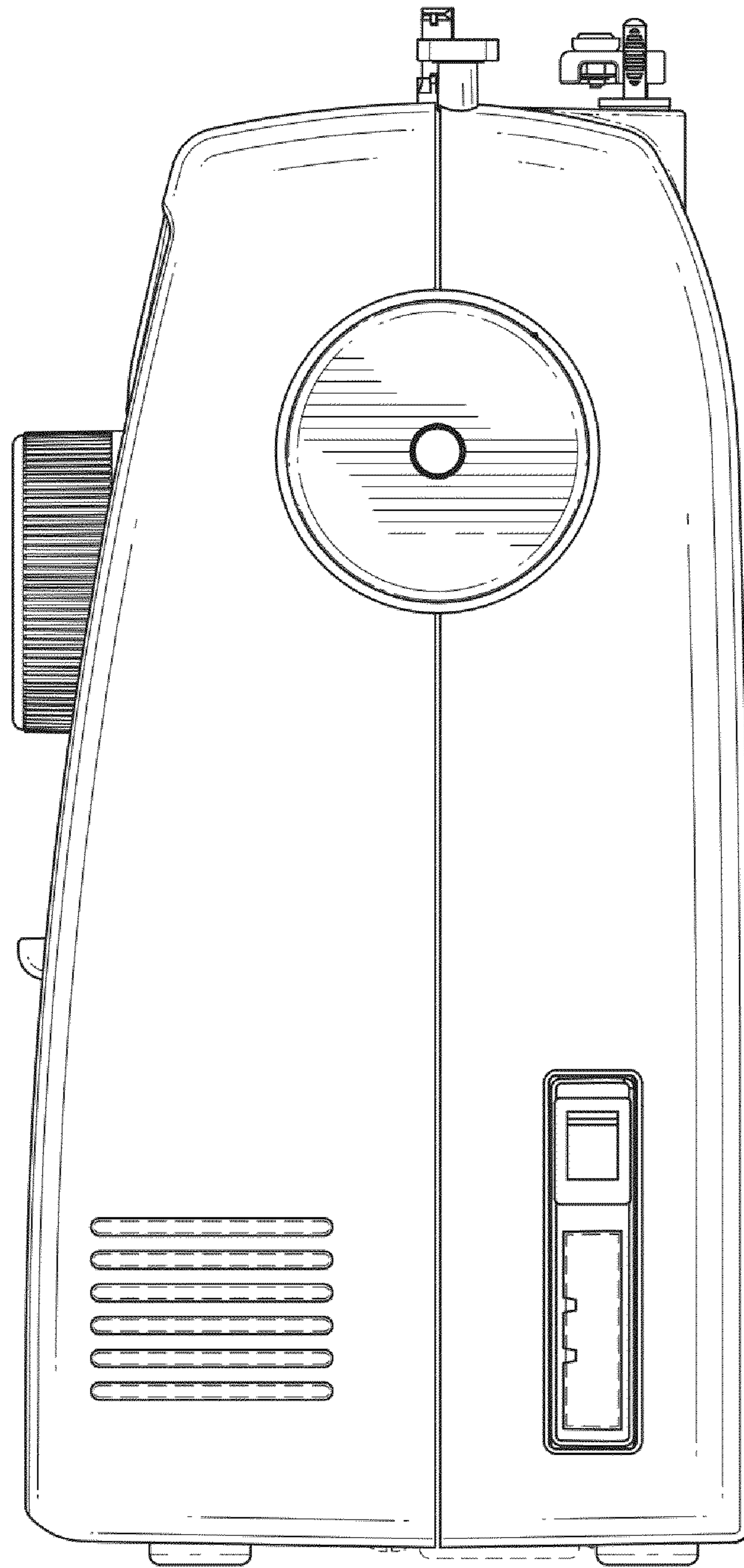


FIG. 5

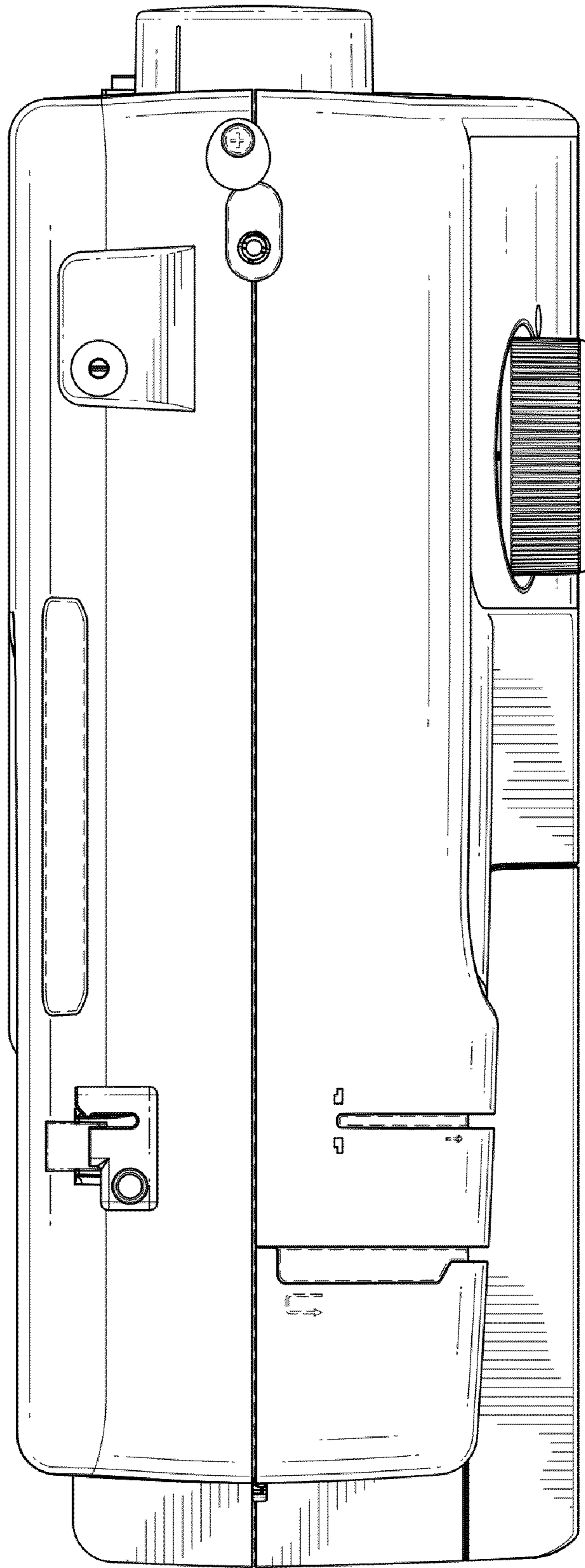


FIG. 6

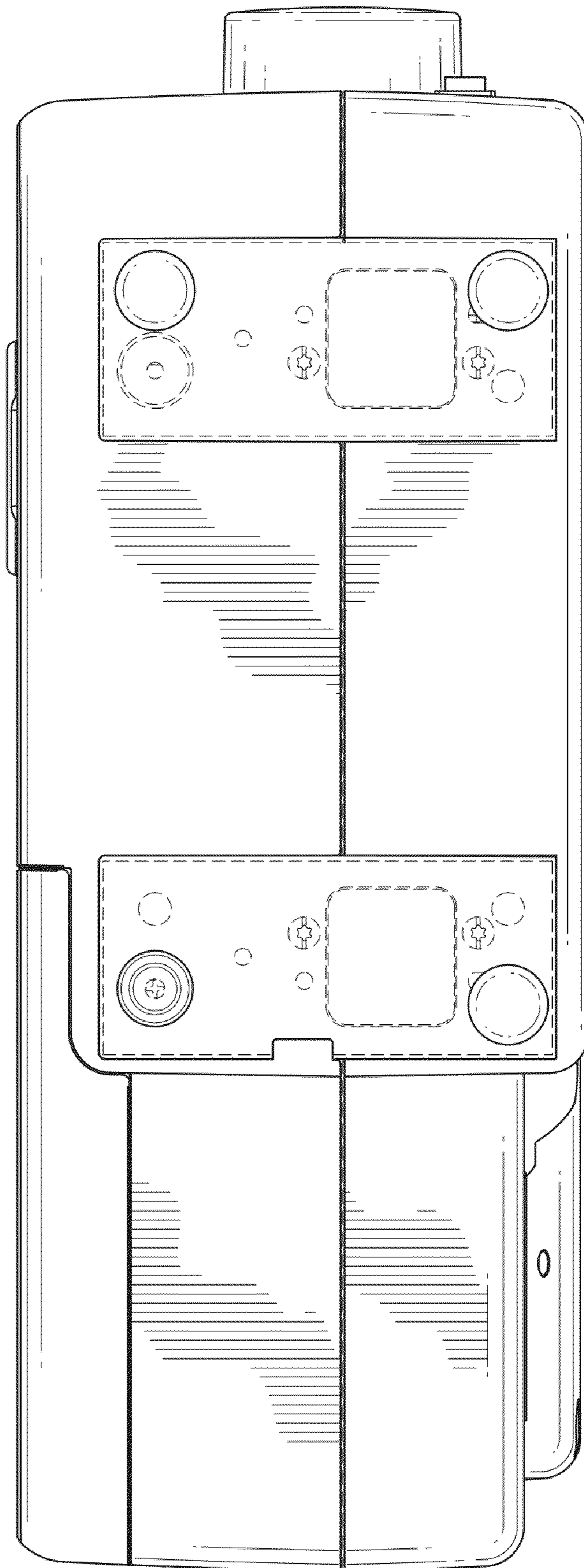


FIG. 7