



US00D679296S

(12) **United States Design Patent**  
**Graf et al.**

(10) **Patent No.:** **US D679,296 S**

(45) **Date of Patent:** **\*\* Apr. 2, 2013**

(54) **TEXTILE MACHINE**

(56) **References Cited**

(75) Inventors: **Erich Graf**, Untrasried (DE); **Yilmaz Ipeksoy**, Kempten (DE)

U.S. PATENT DOCUMENTS

(73) Assignee: **Oerlikon Saurer Zweigniederlassung der Oerlikon Textile GmbH & Co. KG**, Kempten (DE)

D311,745 S *	10/1990	Wieland .....	D15/66
D474,785 S *	5/2003	Carter et al. ....	D15/66
D492,702 S *	7/2004	Suwa et al. ....	D15/66
D521,027 S *	5/2006	Hosoi .....	D15/66
D570,882 S *	6/2008	Lee .....	D15/66
D611,964 S *	3/2010	Lonati .....	D15/66

\* cited by examiner

(\*\*) Term: **14 Years**

*Primary Examiner* — Mitchell Siegel

(21) Appl. No.: **29/385,891**

(74) *Attorney, Agent, or Firm* — Martin Fleit; Paul D. Bianco; Fleit Gibbons Gutman Bongini & Bianco PL

(22) Filed: **Feb. 22, 2011**

(57) **CLAIM**

The ornamental design for a textile machine, as shown and described.

(30) **Foreign Application Priority Data**

**DESCRIPTION**

Oct. 26, 2010 (WO) ..... 570591801

(51) **LOC (9) Cl.** ..... **15-06**

(52) **U.S. Cl.** ..... **D15/66**

(58) **Field of Classification Search** ..... D15/66-76;

112/1, 2, 78, 122, 154, 256, 270, 286, 63,

112/217.1-217.4, 255-261, 321.12; 312/208.5

See application file for complete search history.

FIG. 1 is a perspective view of a textile machine.

FIG. 2 is a front view of the textile machine of FIG. 1.

FIG. 3 is a left side view of the textile machine of FIG. 1.

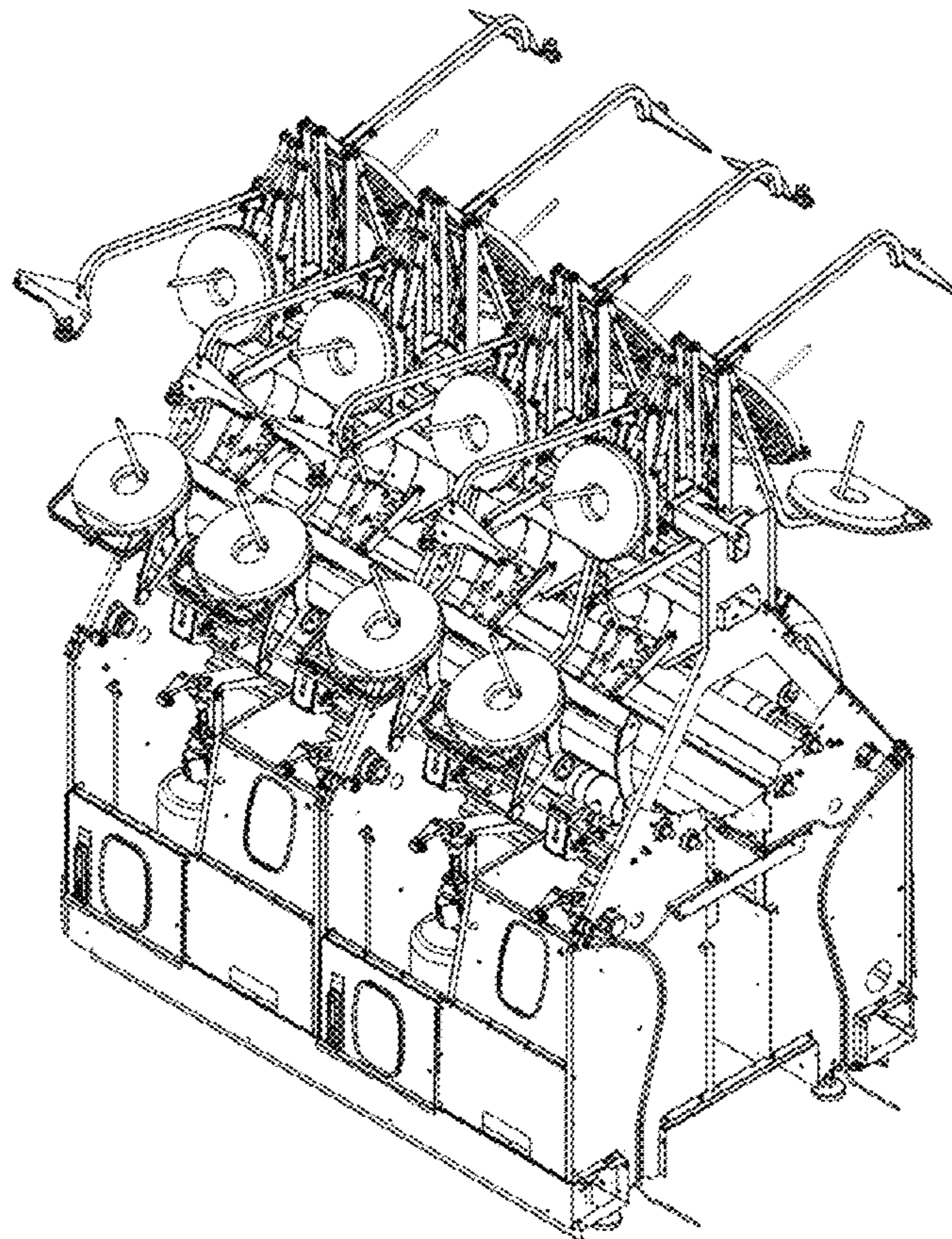
FIG. 4 is a top view of the textile machine of FIG. 1.

FIG. 5 is a right side view of the textile machine of FIG. 1.

FIG. 6 is a back view of the textile machine of FIG. 1; and,

FIG. 7 is bottom view of the textile machine of FIG. 1.

**1 Claim, 7 Drawing Sheets**



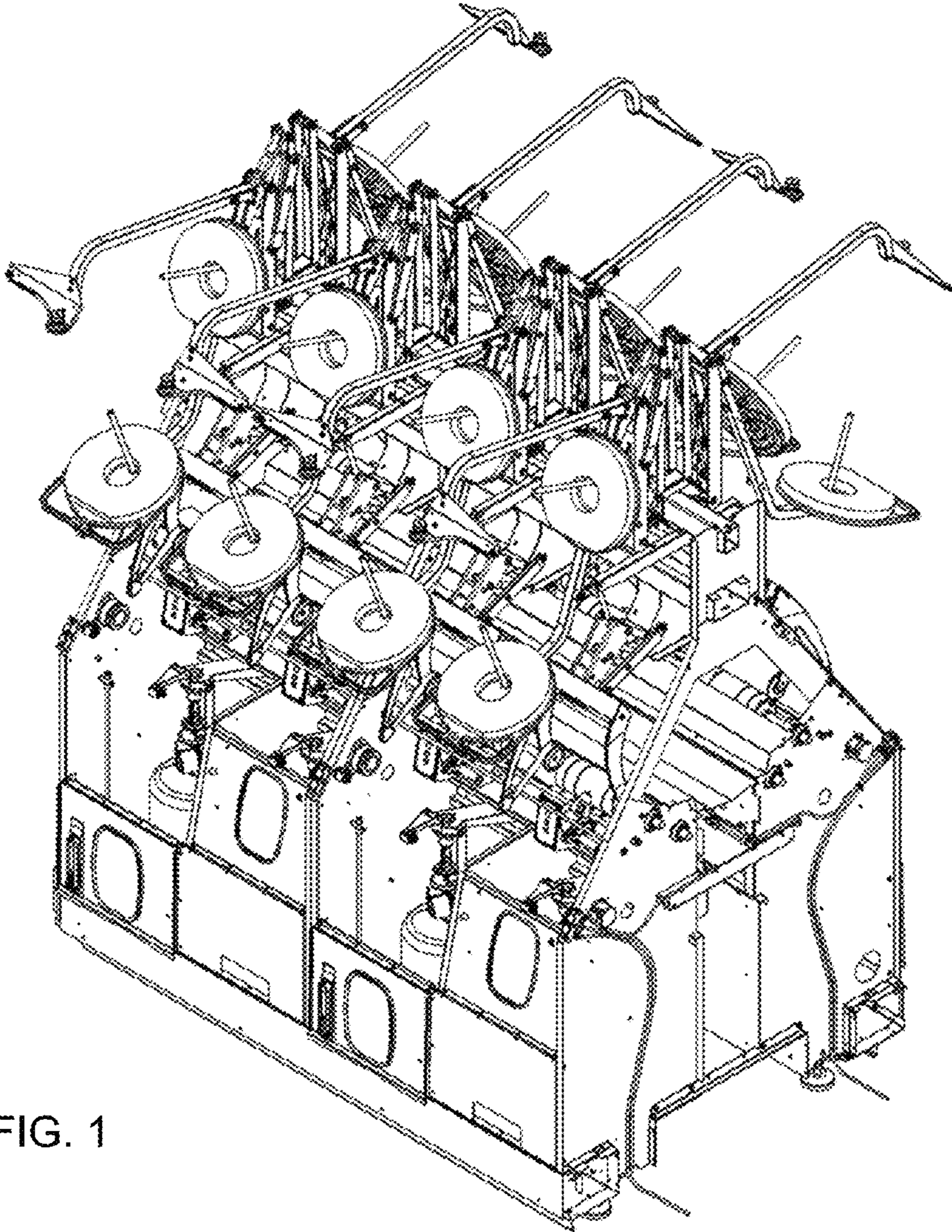


FIG. 1

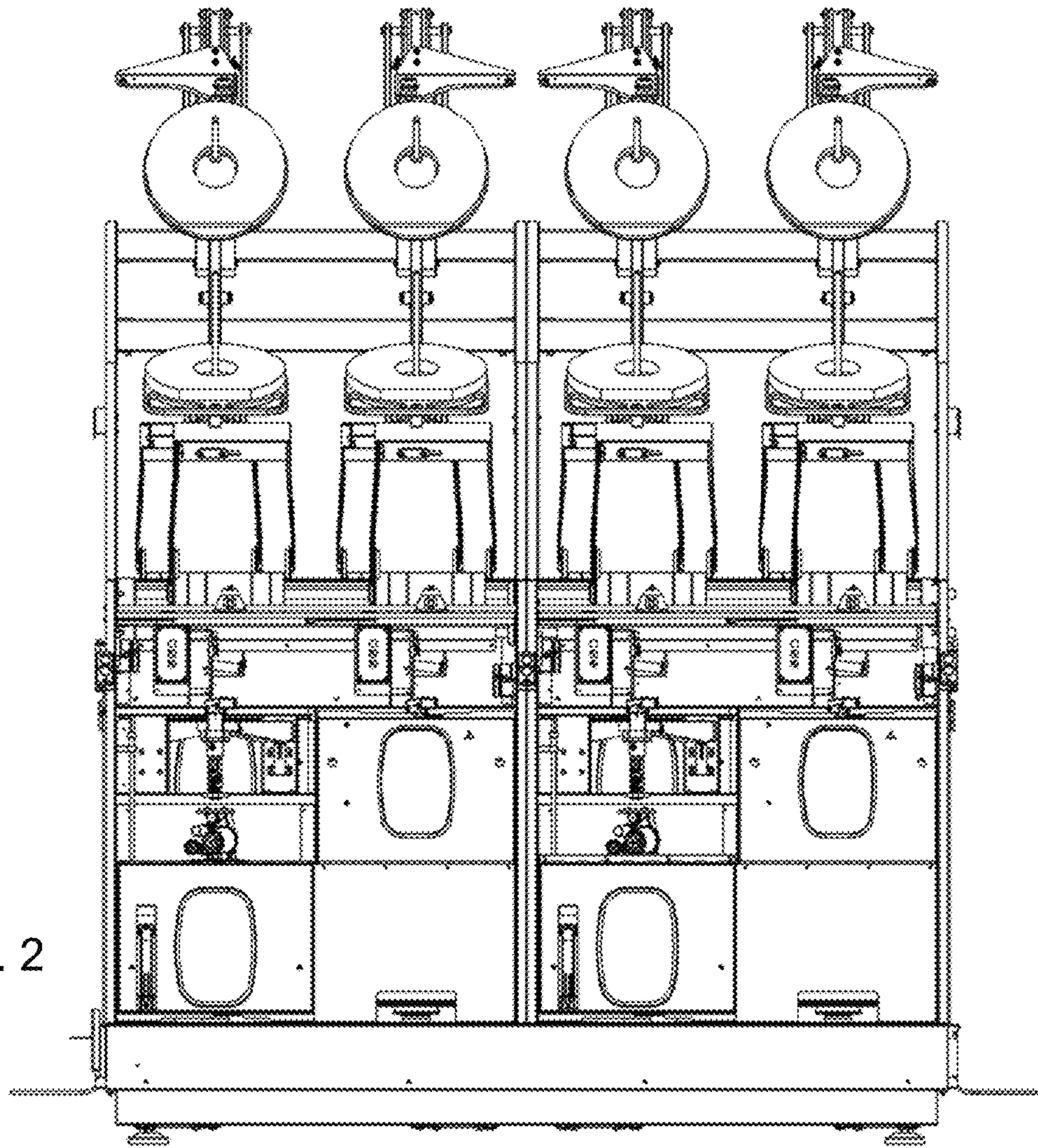


FIG. 2

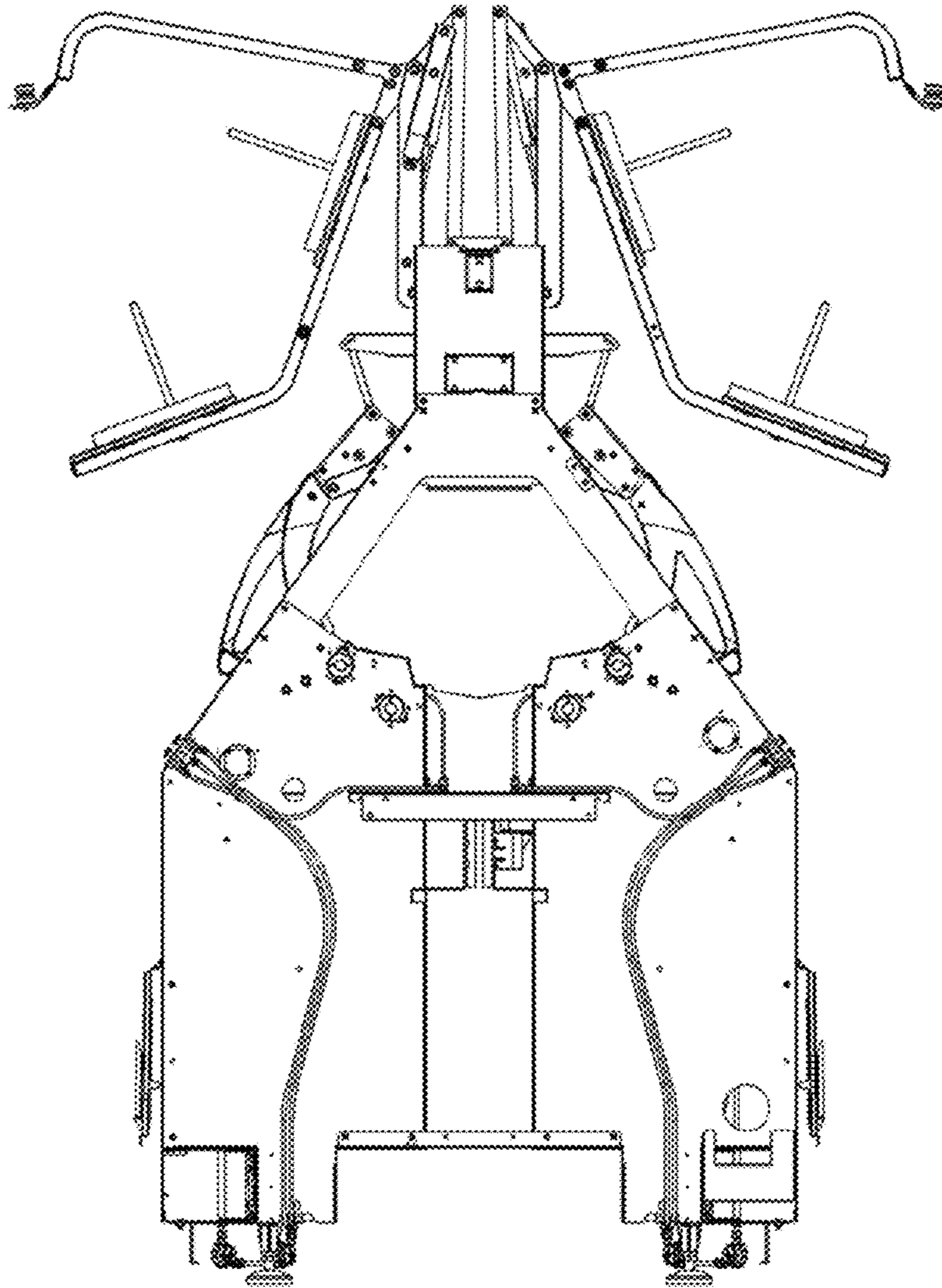


FIG. 3

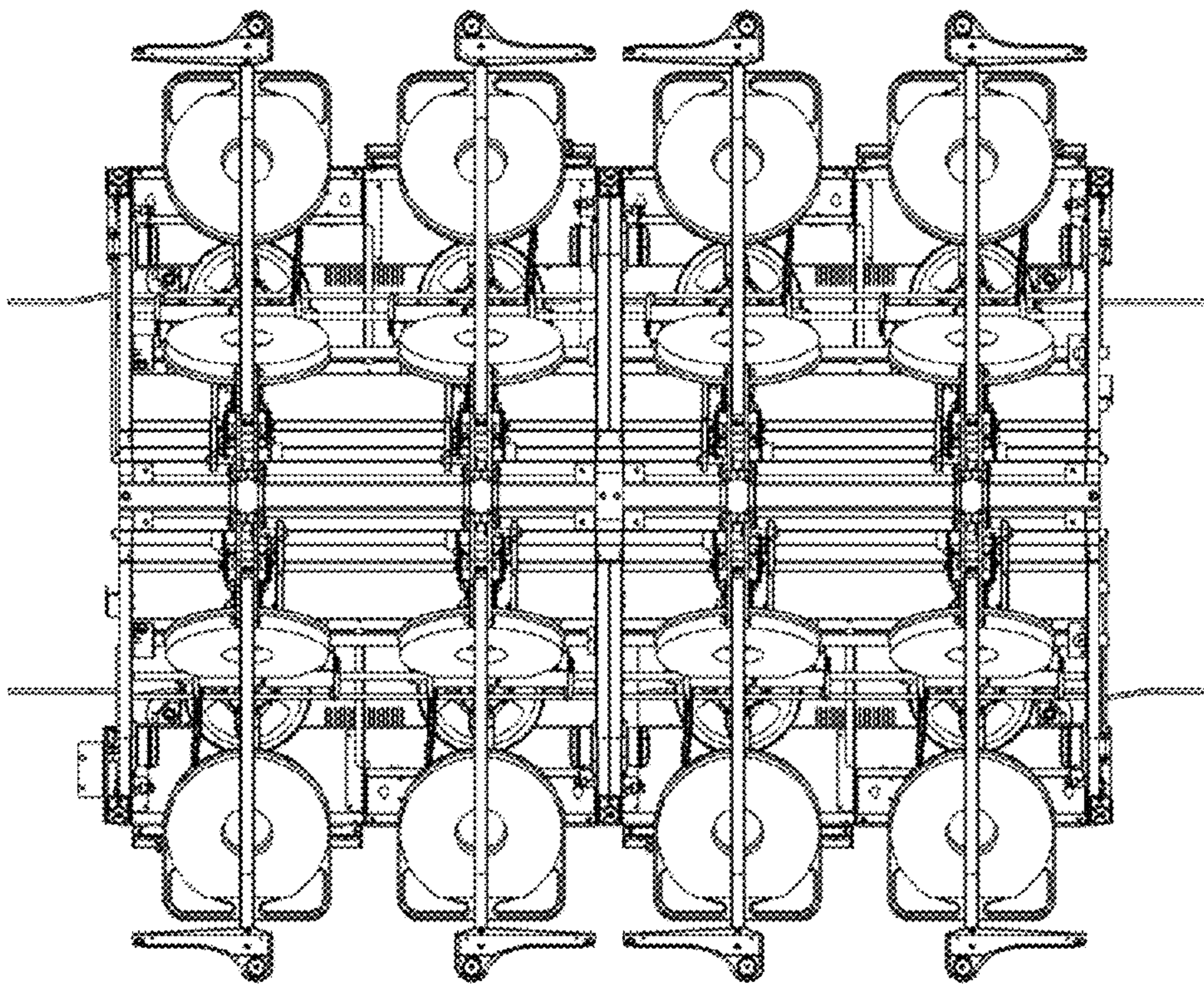


FIG. 4

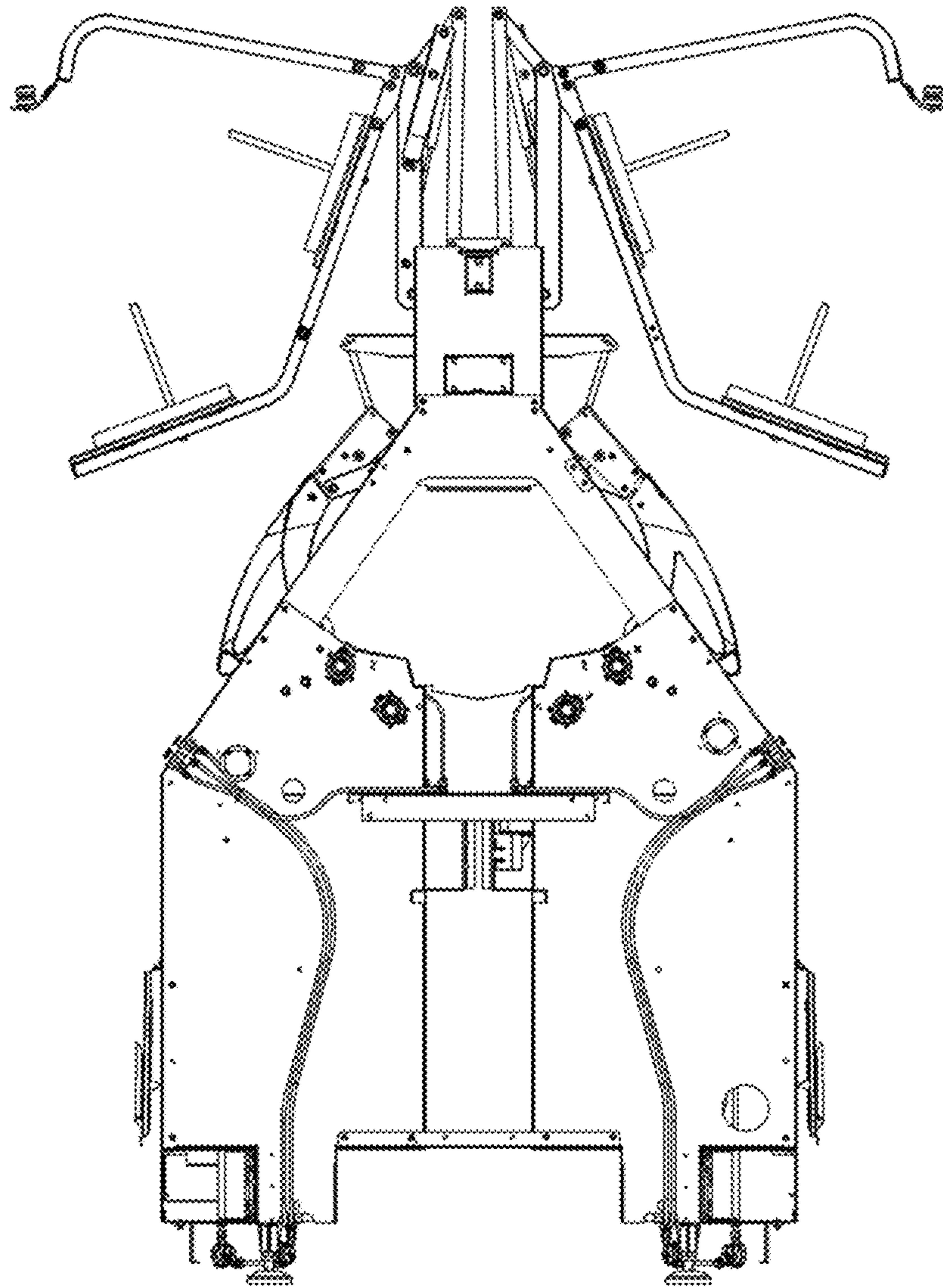


FIG. 5

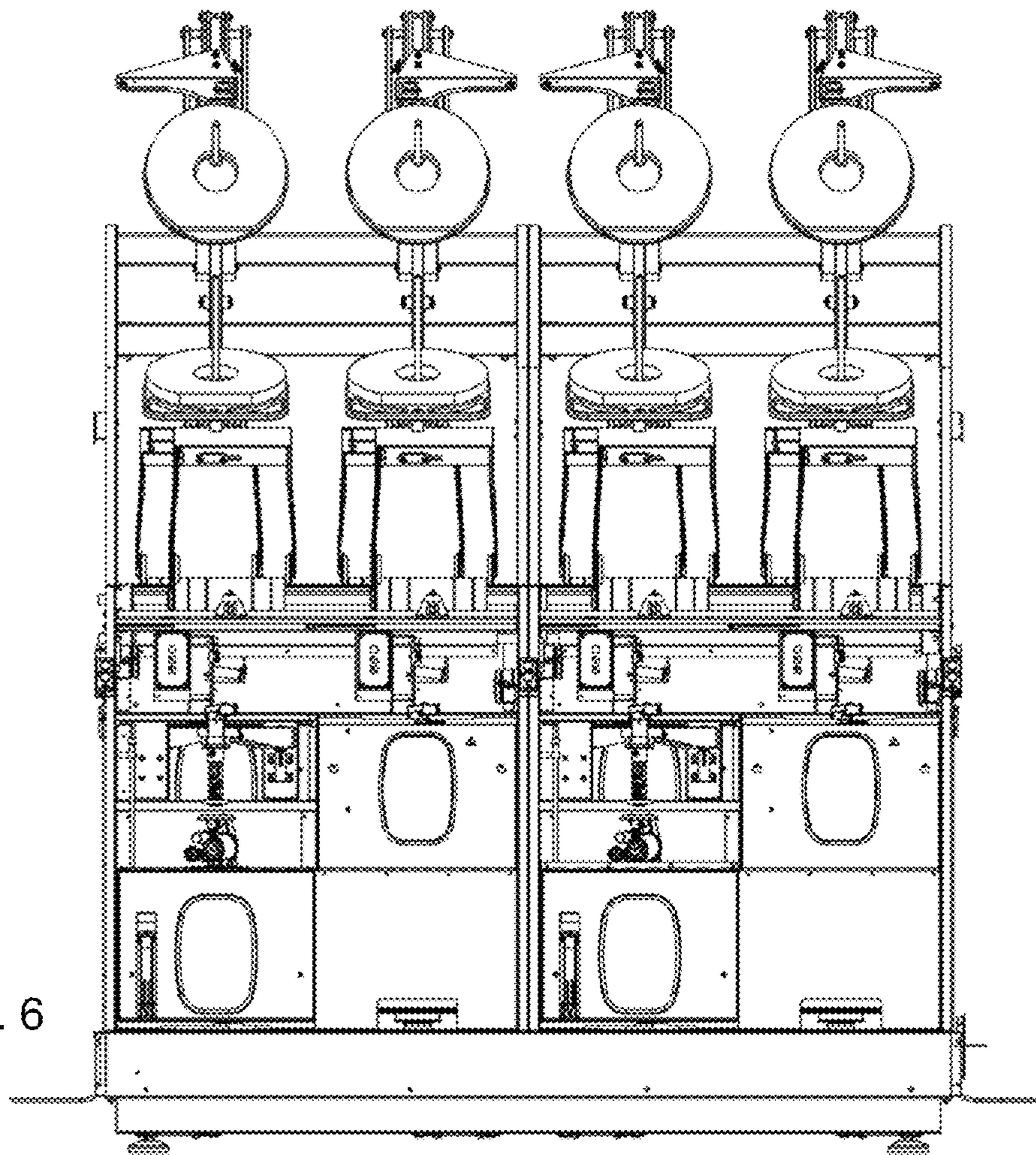


FIG. 6

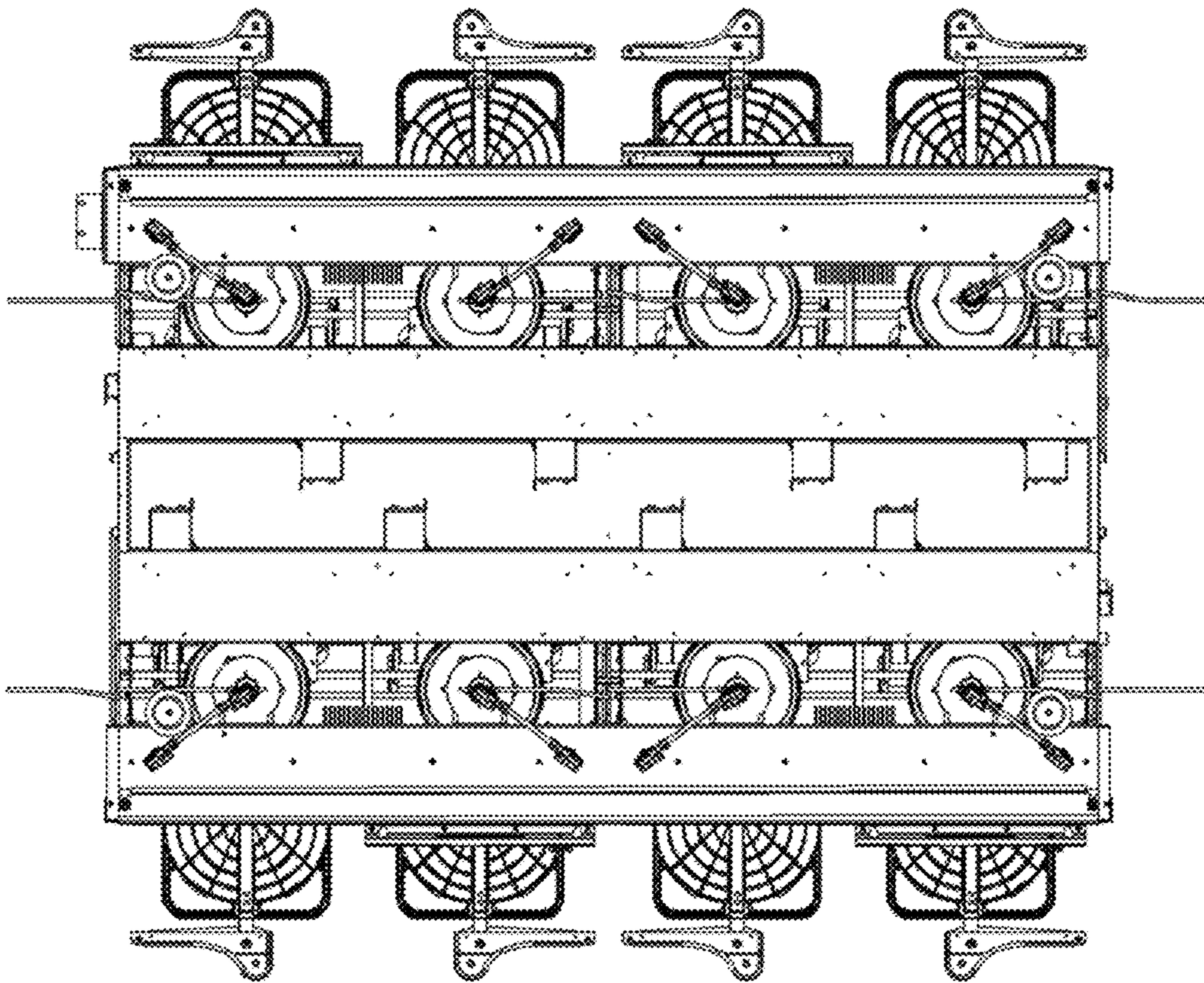


FIG. 7