



US00D679294S

(12) **United States Design Patent**
Tajik et al.

(10) **Patent No.:** **US D679,294 S**

(45) **Date of Patent:** **** Apr. 2, 2013**

(54) **ROBOTIC MOWER**

(75) Inventors: **Reza Tajik**, Solna (SE); **Rajinder Mehra**, Johanneshov (SE)

(73) Assignee: **Husqvarna AB**, Huskvarna (SE)

(**) Term: **14 Years**

(21) Appl. No.: **29/431,808**

(22) Filed: **Sep. 11, 2012**

(30) **Foreign Application Priority Data**

Mar. 16, 2012 (EM) 00209597-0001

(51) **LOC (9) Cl.** **15-03**

(52) **U.S. Cl.** **D15/17; D15/14**

(58) **Field of Classification Search** D15/14,
D15/17, 18; 56/11.9, 17.5, 13.4, 12.8, 16.7,
56/202, 255, 294, 295, 320.1, 320.2; 180/900,
180/89.1, 89.12

See application file for complete search history.

(56) **References Cited**

U.S. PATENT DOCUMENTS

D346,809 S * 5/1994 Burgos et al. D15/14
D420,365 S * 2/2000 Gunnar D15/14
D451,931 S * 12/2001 Abramson et al. D15/14
D504,901 S * 5/2005 Wickstrom et al. D15/14

D559,867 S * 1/2008 Abramson D15/14
D566,136 S * 4/2008 Green D15/14
D573,610 S * 7/2008 Abramson D15/14
D643,048 S * 8/2011 Pflum D15/11
D652,431 S * 1/2012 Naslund D15/14
D656,163 S * 3/2012 Johansson et al. D15/14

* cited by examiner

Primary Examiner — Mark Goodwin

(74) *Attorney, Agent, or Firm* — Nelson Mullins Riley & Scarborough LLP

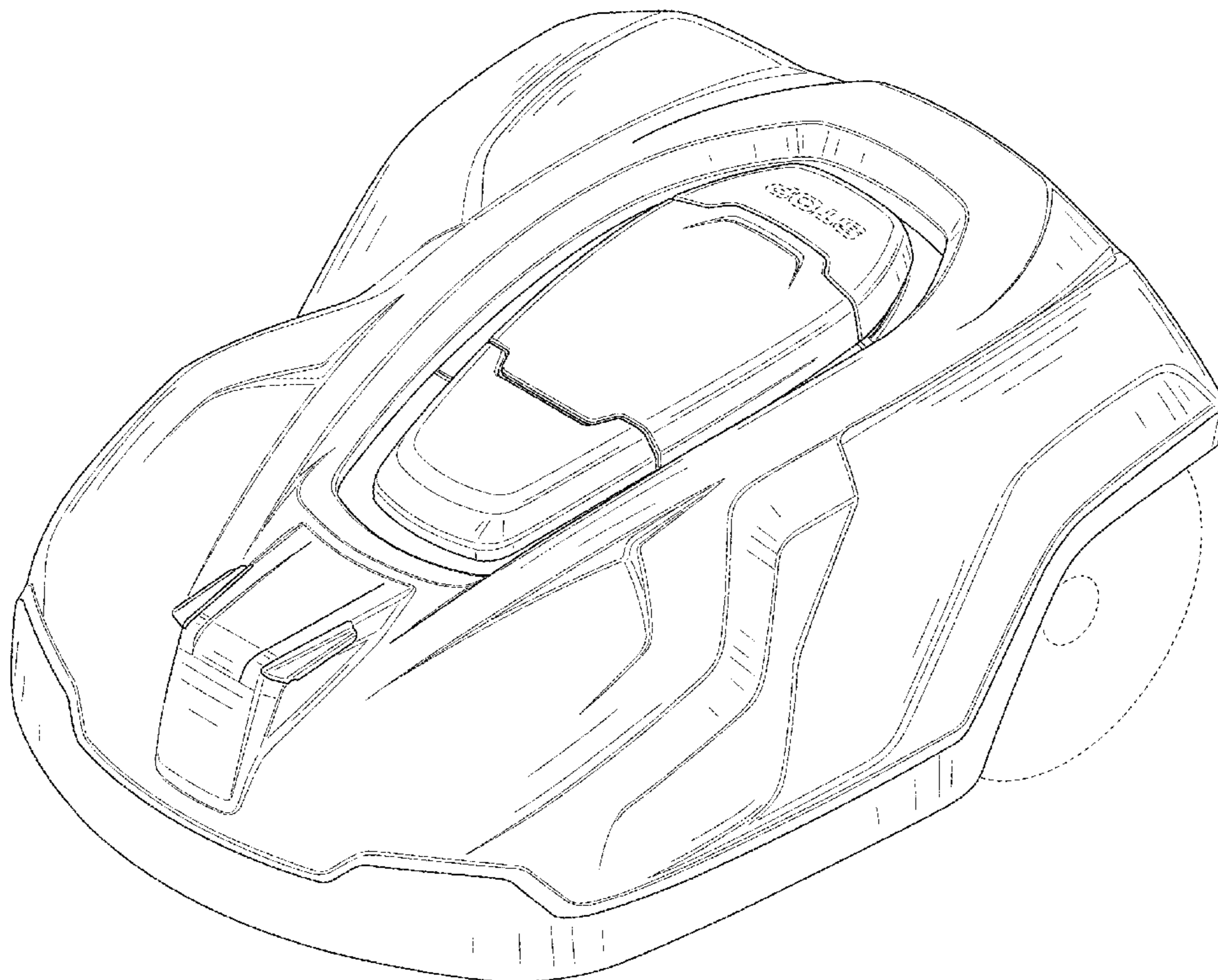
(57) **CLAIM**

The ornamental design for a robotic mower, as shown and described.

DESCRIPTION

FIG. 1 is a perspective view of a robotic mower in accordance with an embodiment of the present invention;
FIG. 2 is a front view of the robotic mower of FIG. 1;
FIG. 3 is a rear view of the robotic mower of FIG. 1;
FIG. 4 is a left side view of the robotic mower of FIG. 1;
FIG. 5 is a right side view of the robotic mower of FIG. 1;
FIG. 6 is a top view of the robotic mower of FIG. 1; and,
FIG. 7 is a bottom view of the robotic mower of FIG. 1.
The broken lines of FIGS. 1-7 are illustrative of the visible environmental structure of the robotic mower and form no part of the claimed design.

1 Claim, 6 Drawing Sheets



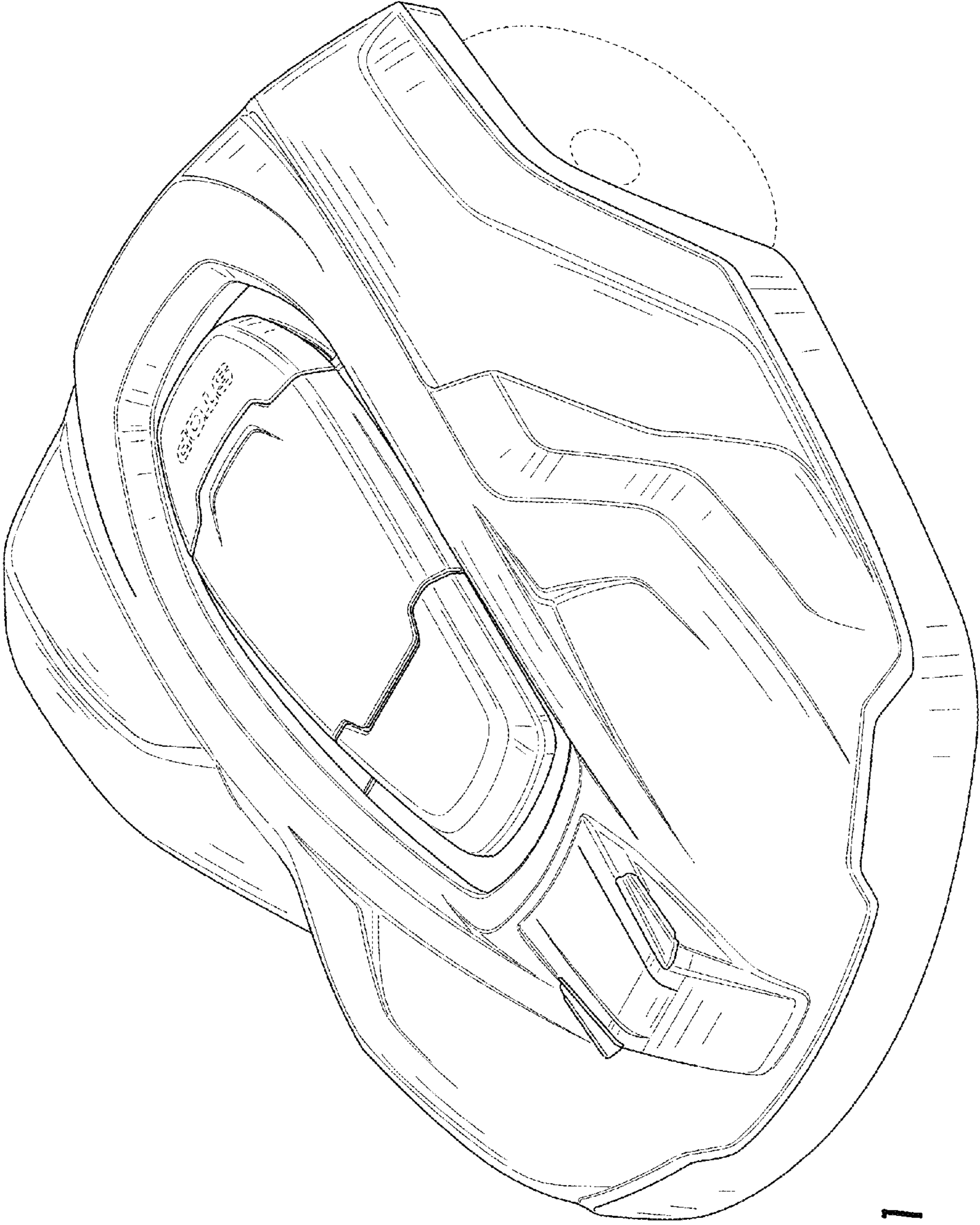


FIG. 1

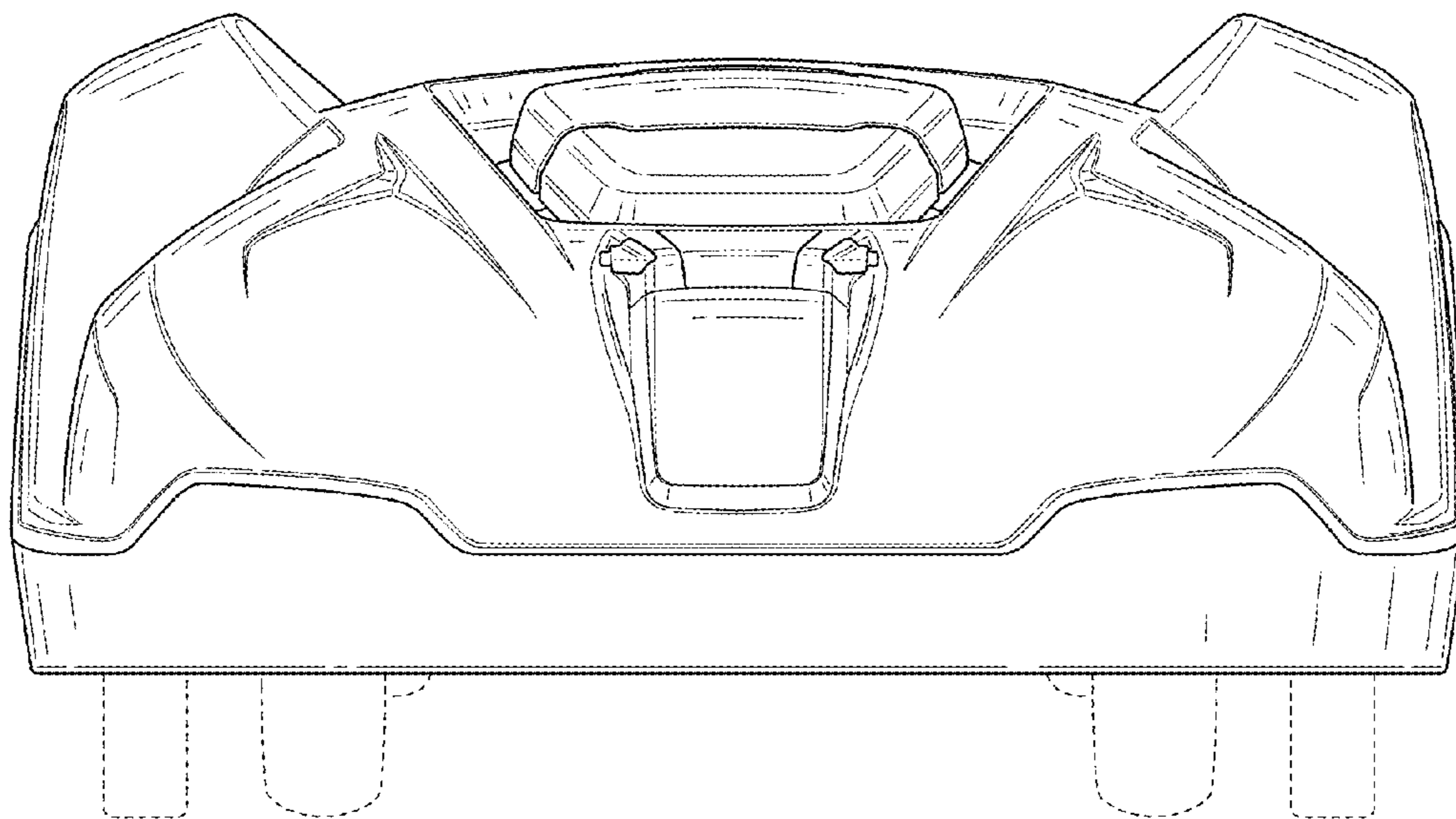


FIG. 2

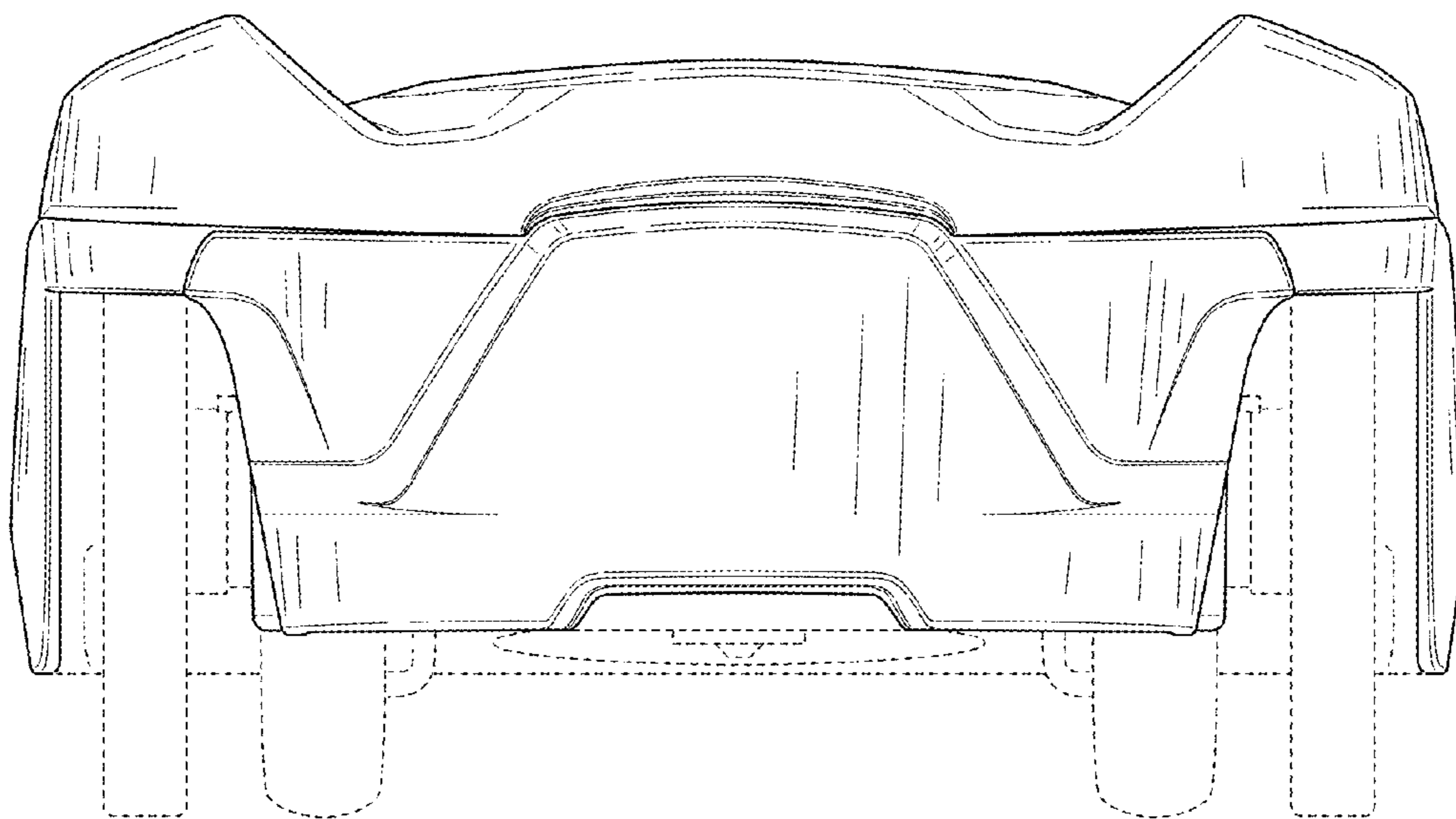


FIG. 3

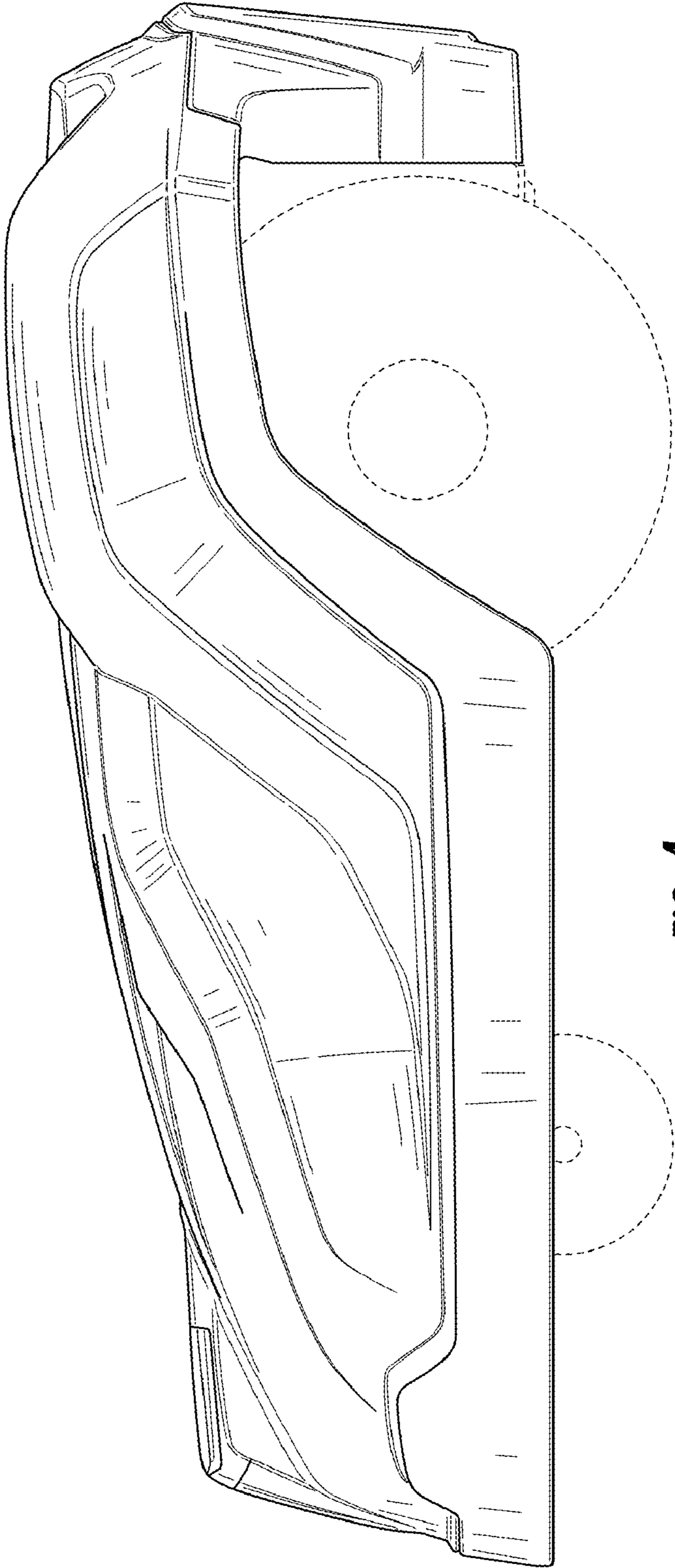


FIG. 4

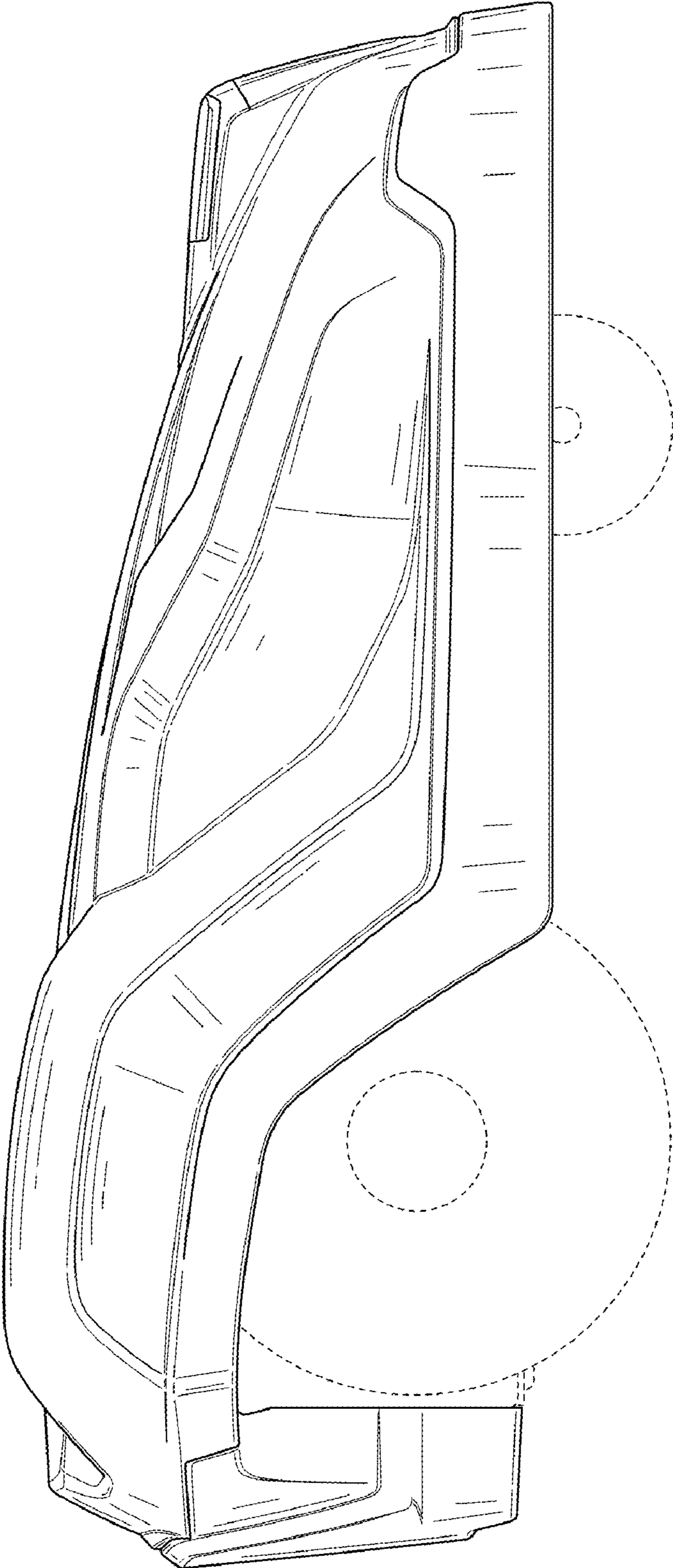


FIG. 5

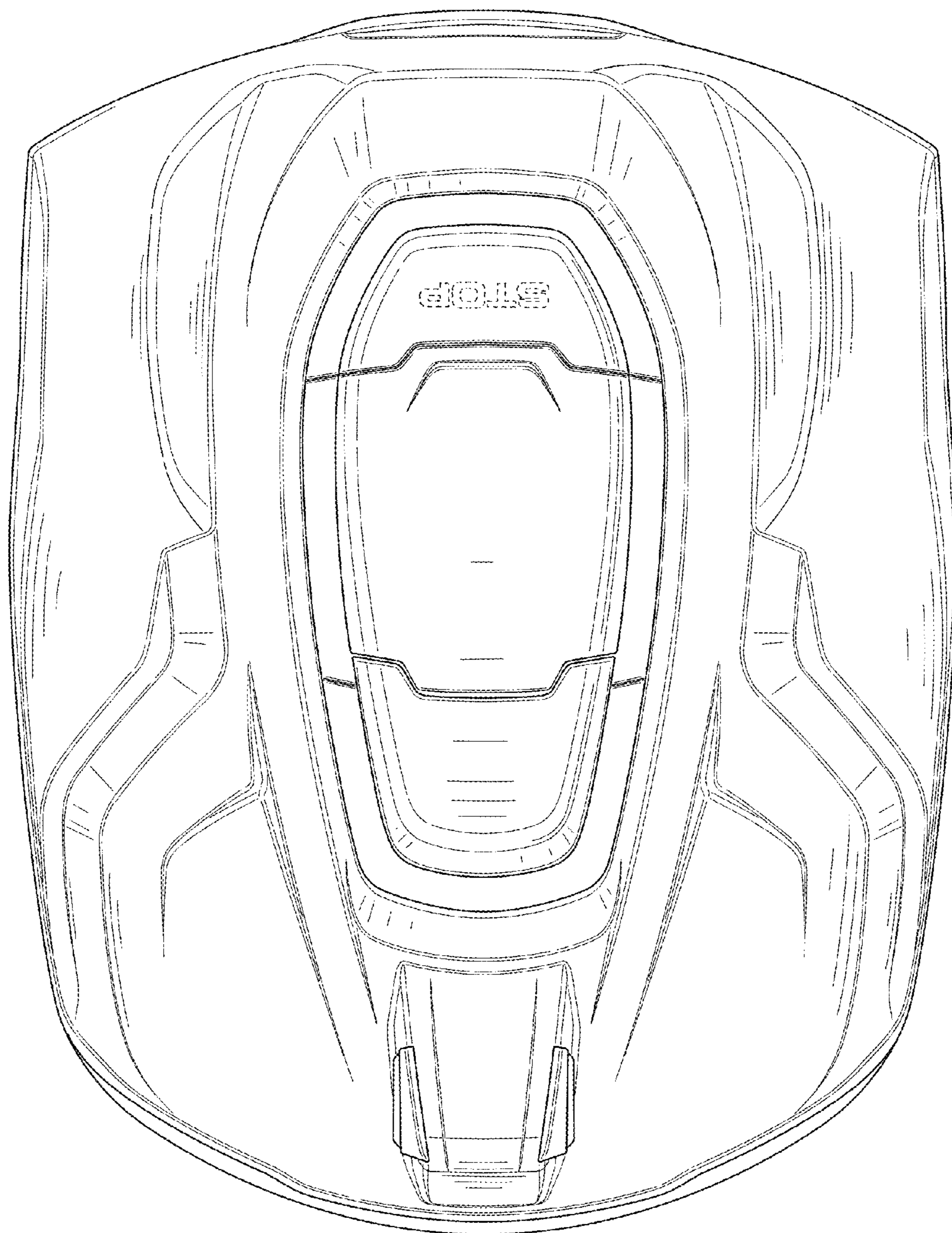


FIG. 6

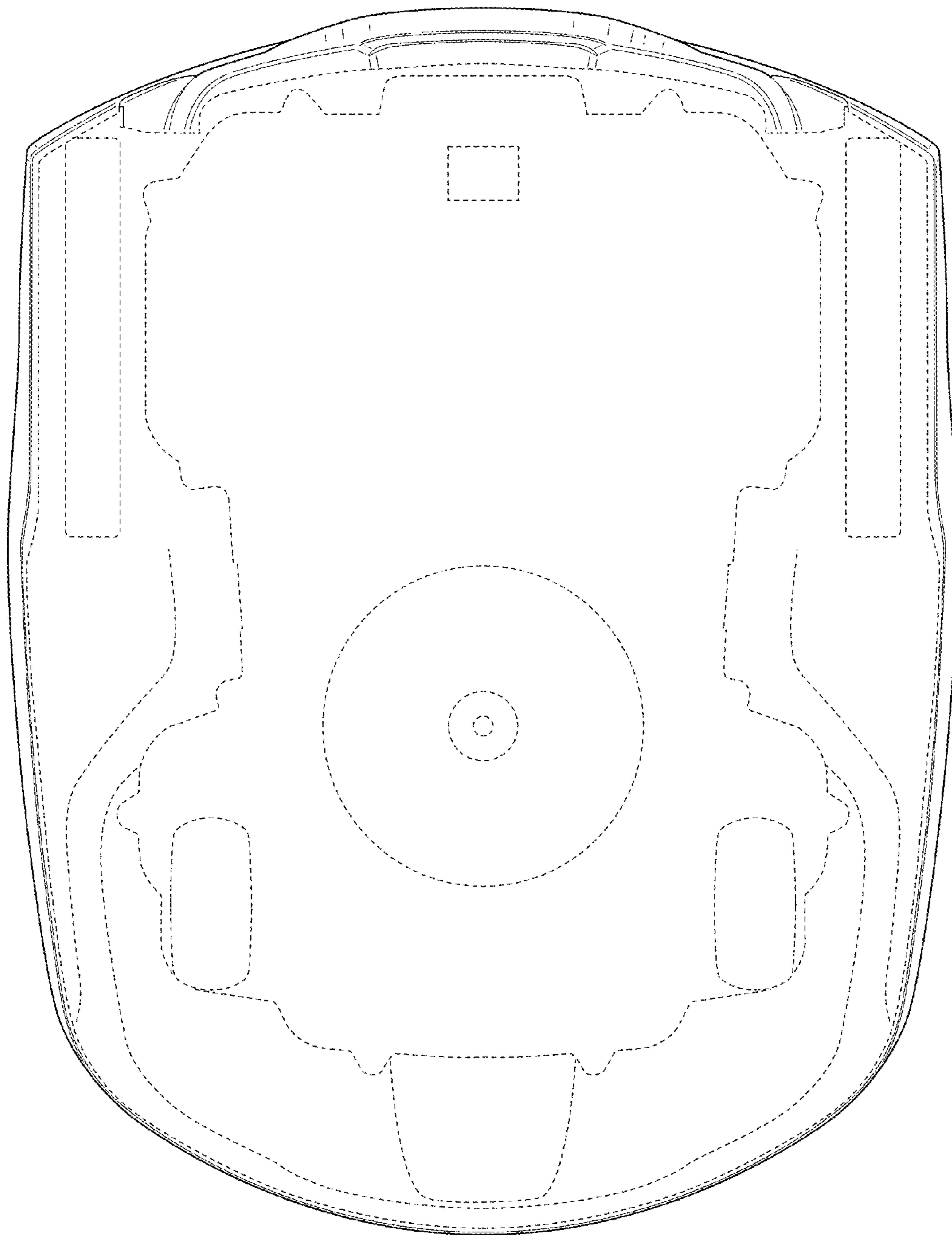


FIG. 7

UNITED STATES PATENT AND TRADEMARK OFFICE
CERTIFICATE OF CORRECTION

PATENT NO. : D679,294 S
APPLICATION NO. : 29/431808
DATED : April 2, 2013
INVENTOR(S) : Reza Tajik and Rajinder Mehra

Page 1 of 1

It is certified that error appears in the above-identified patent and that said Letters Patent is hereby corrected as shown below:

Title Page, Item (30), "00209597-0001" should read --002009597-0001--

Signed and Sealed this
Second Day of July, 2013



Teresa Stanek Rea
Acting Director of the United States Patent and Trademark Office