



US00D679292S

(12) **United States Design Patent**
DeLeon et al.

(10) **Patent No.:** **US D679,292 S**

(45) **Date of Patent:** **** Apr. 2, 2013**

(54) **CENTER PORTION OF FLUID CYLINDER FOR PUMP**

(75) Inventors: **Johnny E. DeLeon**, Arlington, TX (US);
Jacob A. Bayyouk, Richardson, TX (US)

(73) Assignee: **S.P.M. Flow Control, Inc.**, Fort Worth, TX (US)

(**) Term: **14 Years**

(21) Appl. No.: **29/419,417**

(22) Filed: **Apr. 27, 2012**

(51) **LOC (9) Cl.** **15-02**

(52) **U.S. Cl.** **D15/7**

(58) **Field of Classification Search** D15/7-9;
D23/231, 232; 417/410.1, 359, 415-416,
417/234, 321, 265, 405; D24/107, 108, 111
See application file for complete search history.

(56) **References Cited**

U.S. PATENT DOCUMENTS

- 6,670,312 B2 * 12/2003 Sugimoto et al. 510/109
- D605,665 S * 12/2009 Falkenberg D15/7
- D655,314 S * 3/2012 Yoshimura et al. D15/9

* cited by examiner

Primary Examiner — Ralf Seifert

(74) *Attorney, Agent, or Firm* — Haynes and Boone, L.L.P.

(57) **CLAIM**

The ornamental design for a center portion of a fluid cylinder for a pump, as shown and described.

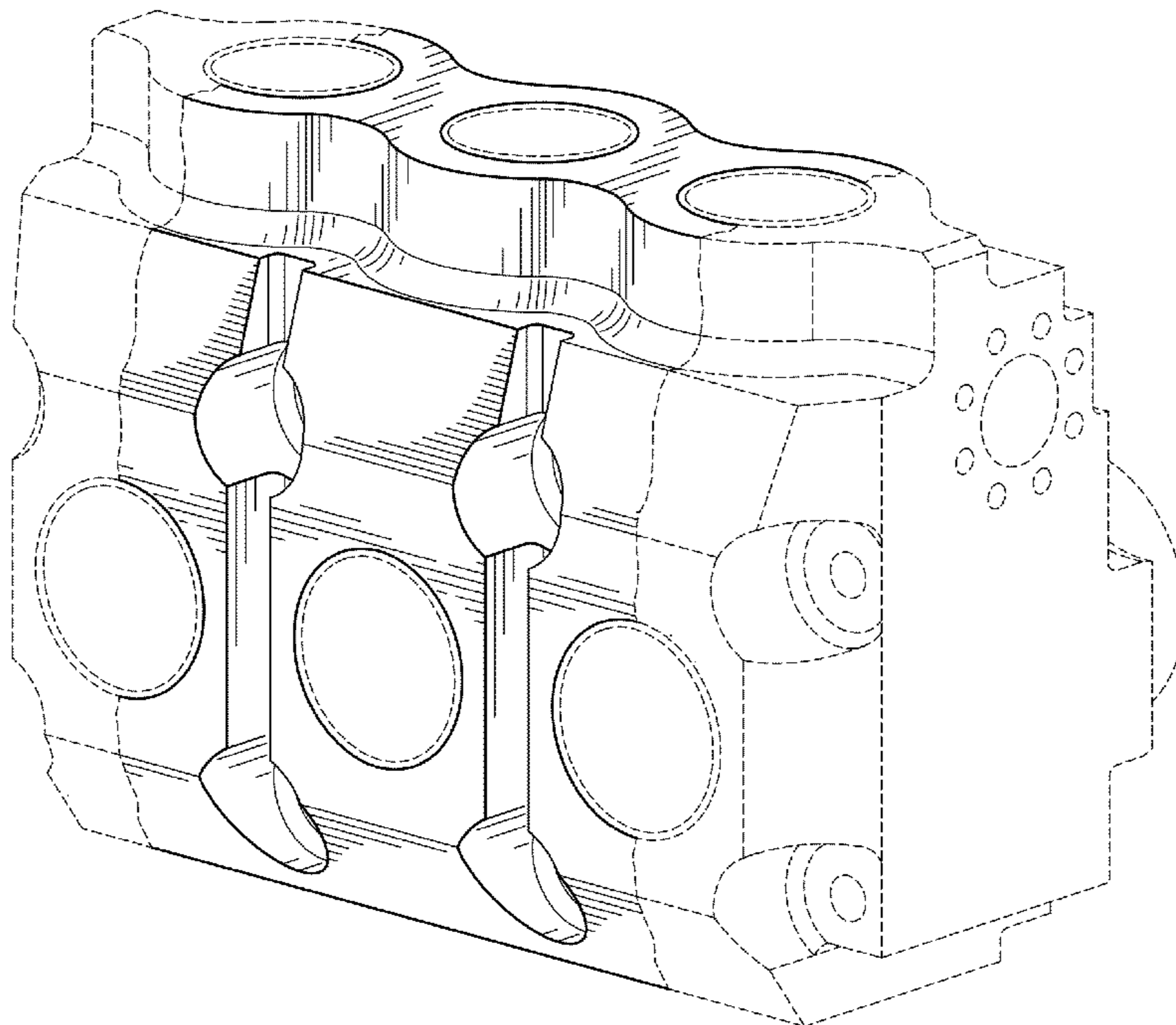
DESCRIPTION

This application is related to U.S. Design application Ser. No. 29/419,425, filed Apr. 27, 2012, the entire disclosure of which is incorporated herein by reference.

FIG. 1 is a perspective view of a center portion of a fluid cylinder for a pump showing our new design; FIG. 2 is another perspective view thereof; FIG. 3 is a front elevational view thereof; FIG. 4 is a rear elevational view thereof; FIG. 5 is a top plan view thereof; FIG. 6 is a bottom plan view thereof; FIG. 7 is a right side elevational view thereof; FIG. 8 is a left side elevational view thereof; and, FIG. 9 is a perspective view thereof that is identical to FIG. 1, but for the depiction in broken lines of unclaimed environmental structure that is different than the unclaimed environmental structure depicted in broken lines in FIGS. 1 through 8.

The broken lines in FIGS. 1 through 9 form no part of the claimed design. The areas encircled by broken lines in FIGS. 1 through 9 are unclaimed areas and form no part of the claimed design.

1 Claim, 8 Drawing Sheets



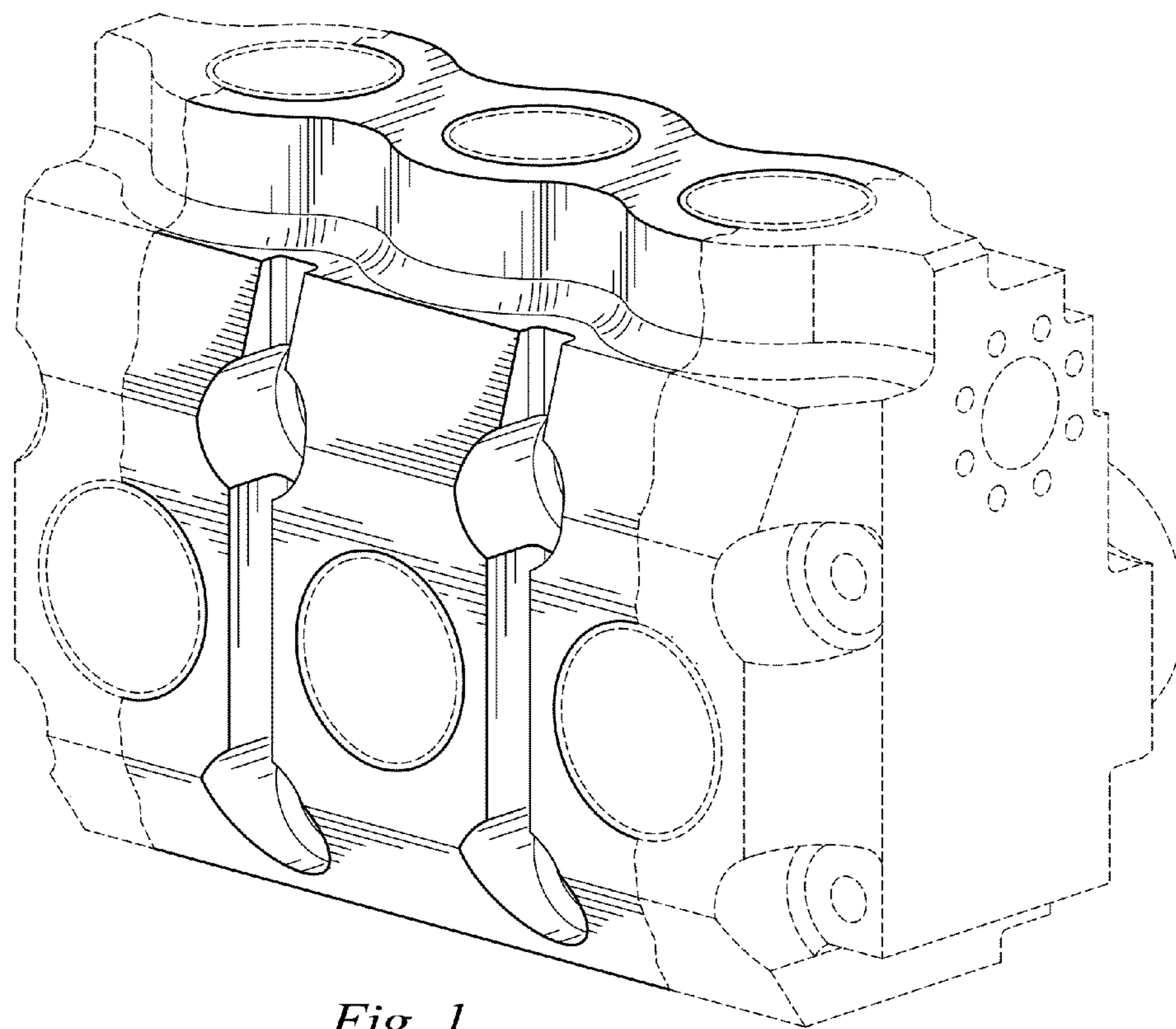


Fig. 1

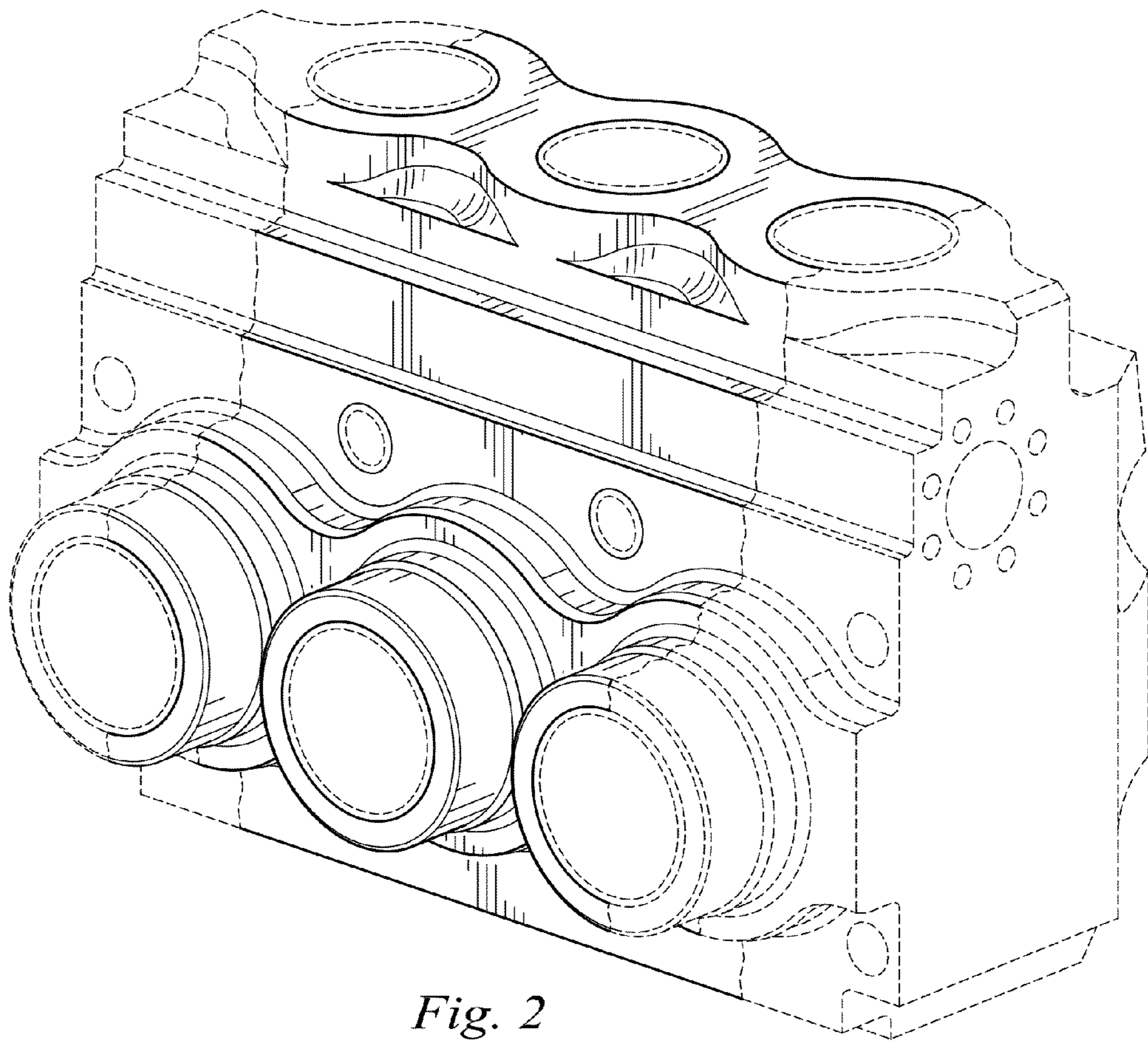


Fig. 2

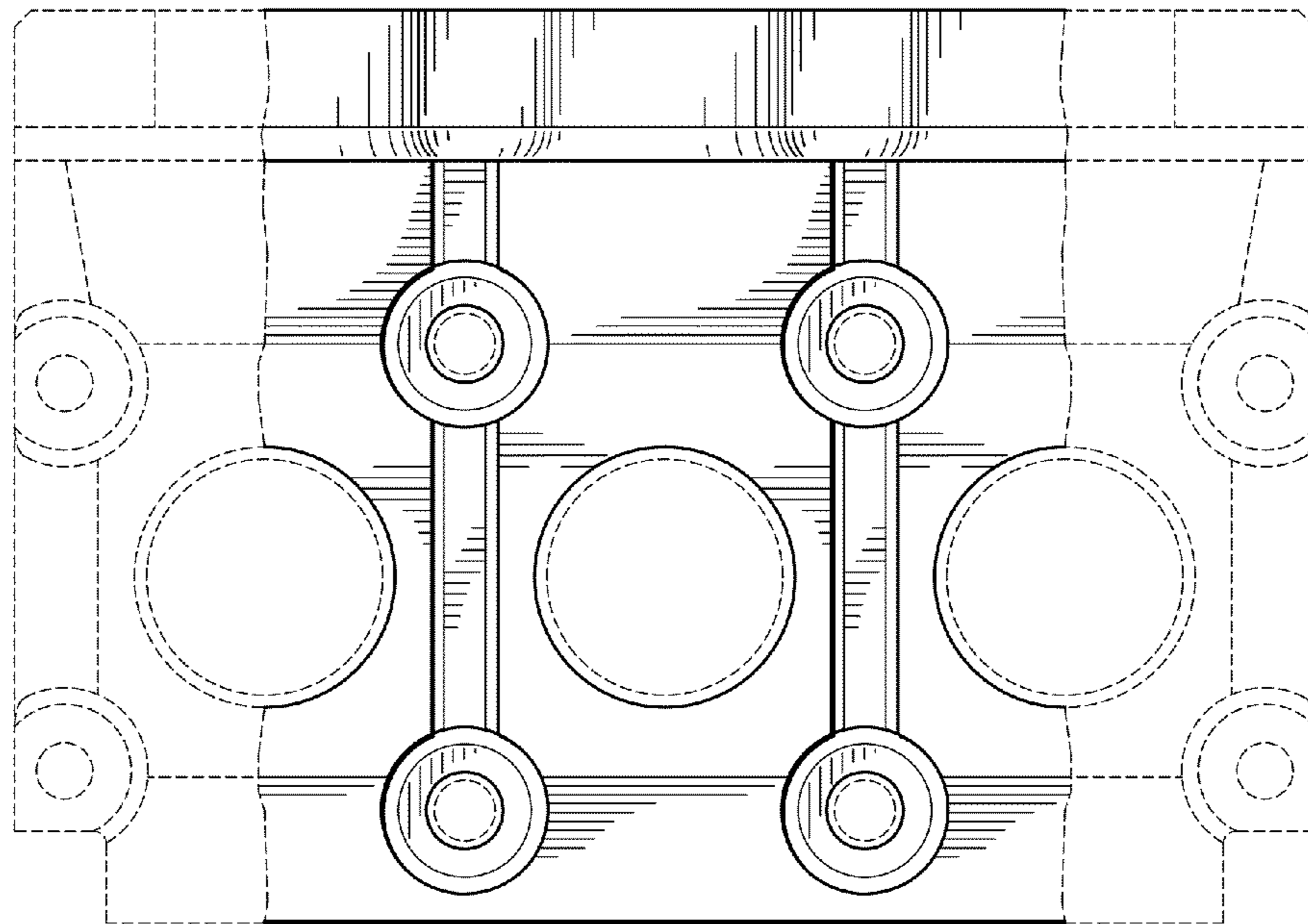


Fig. 3

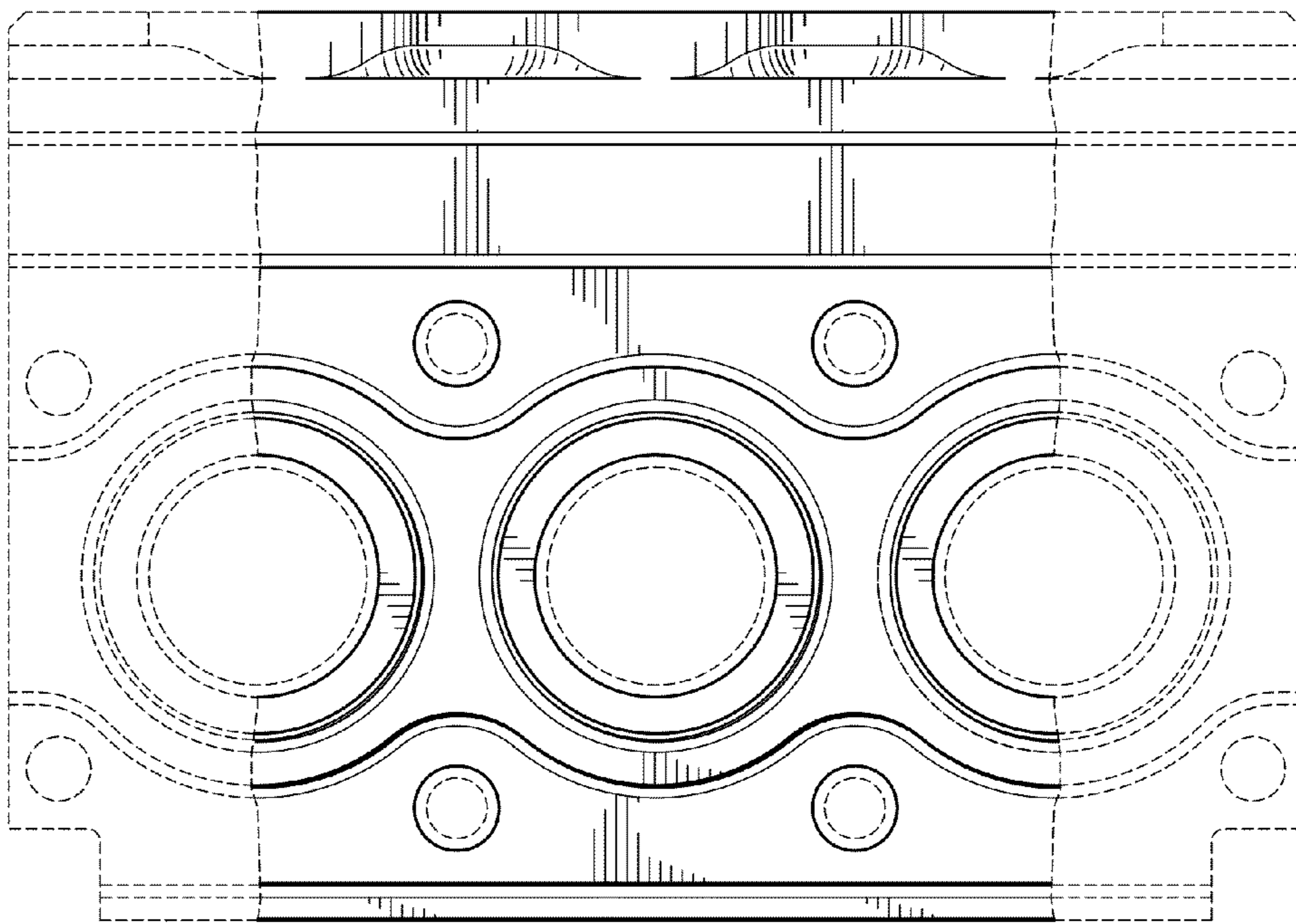


Fig. 4

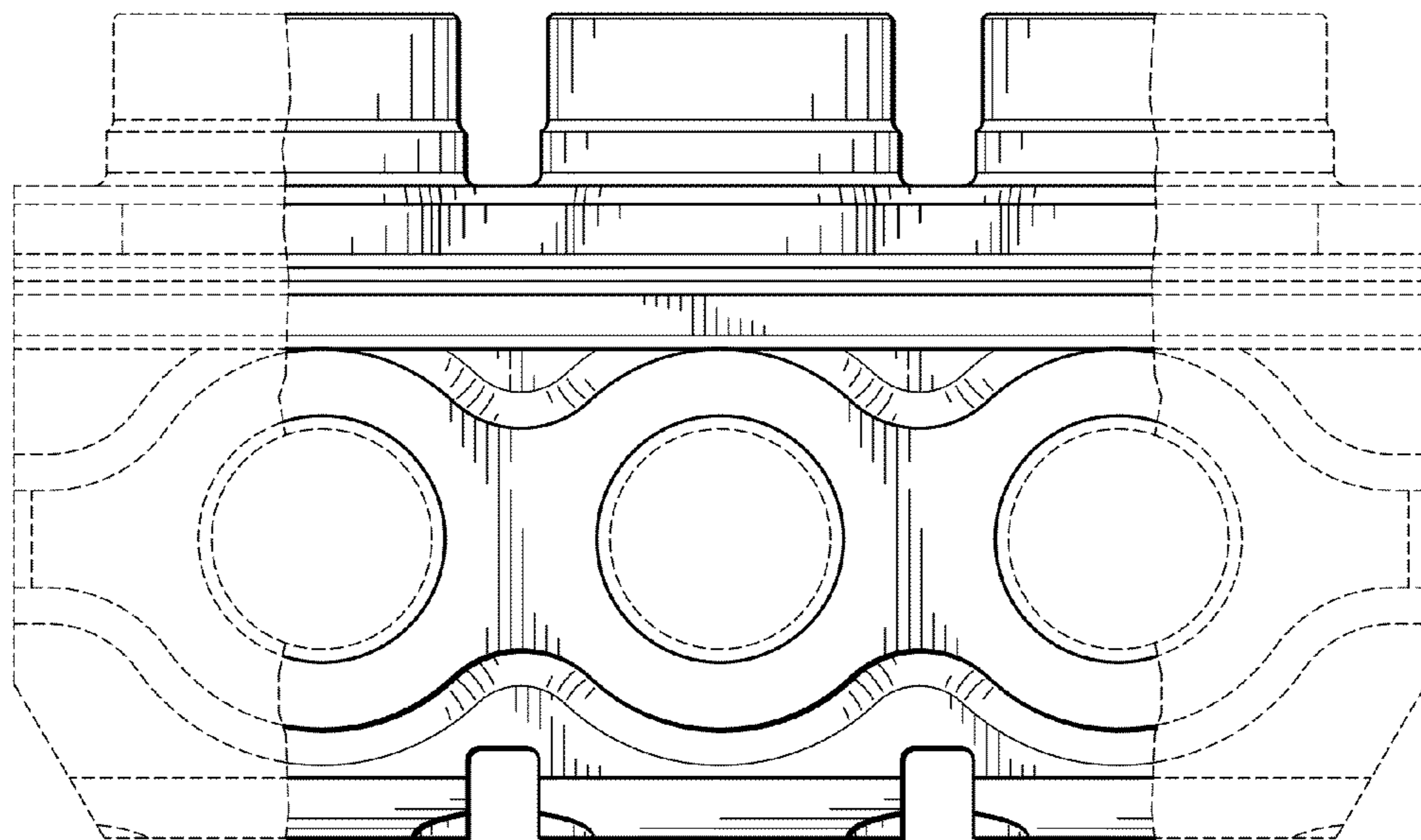


Fig. 5

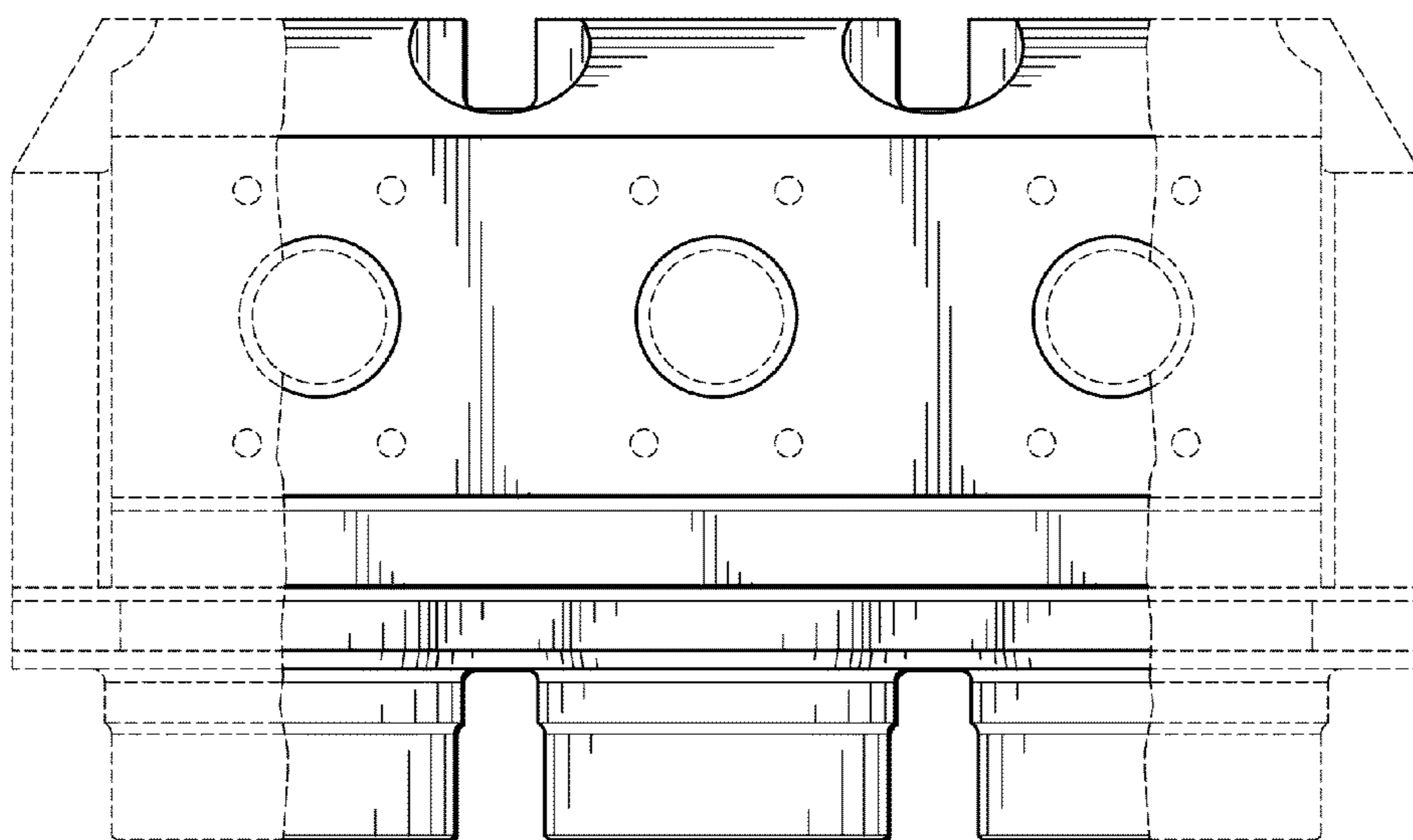


Fig. 6

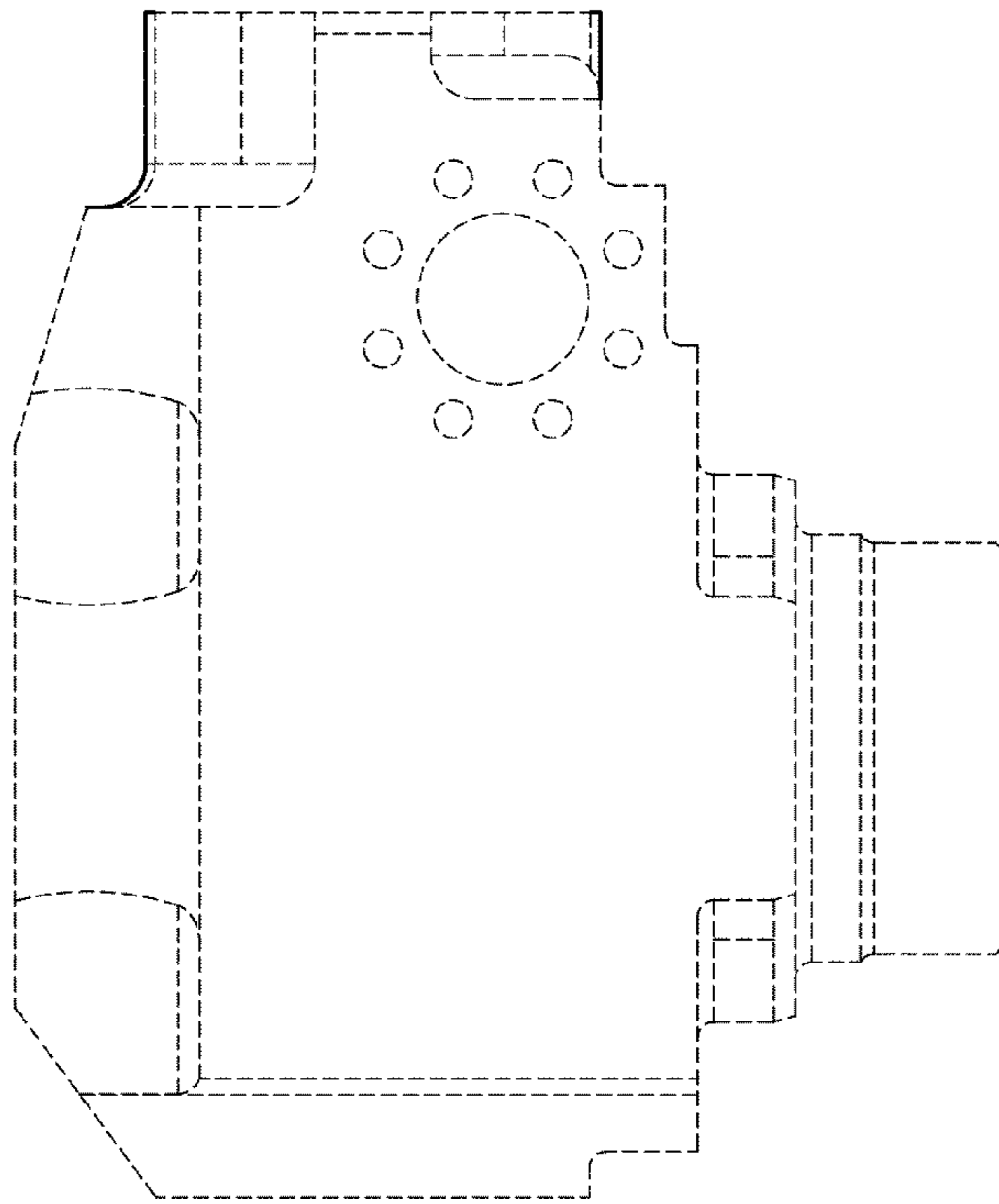


Fig. 7

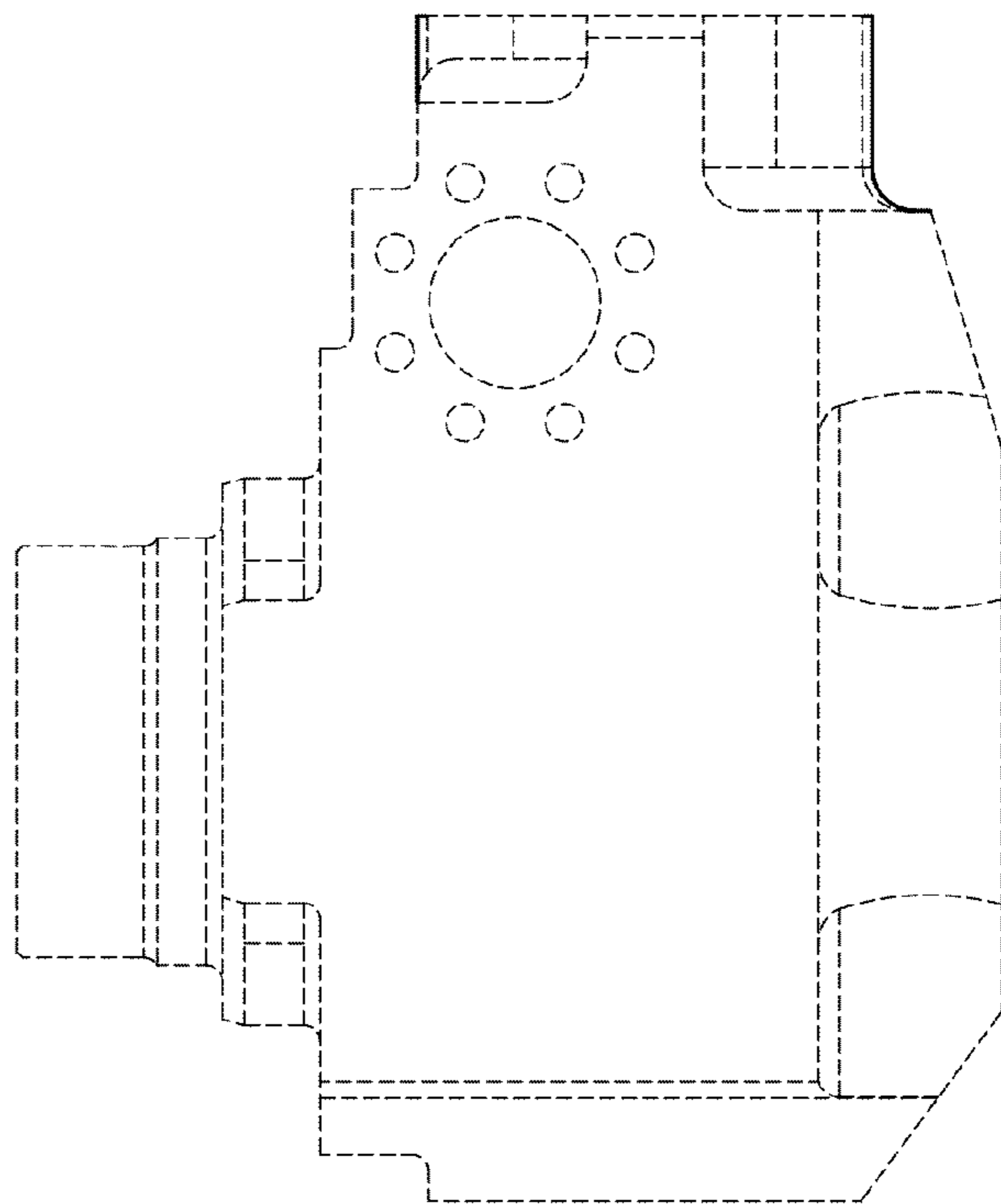


Fig. 8

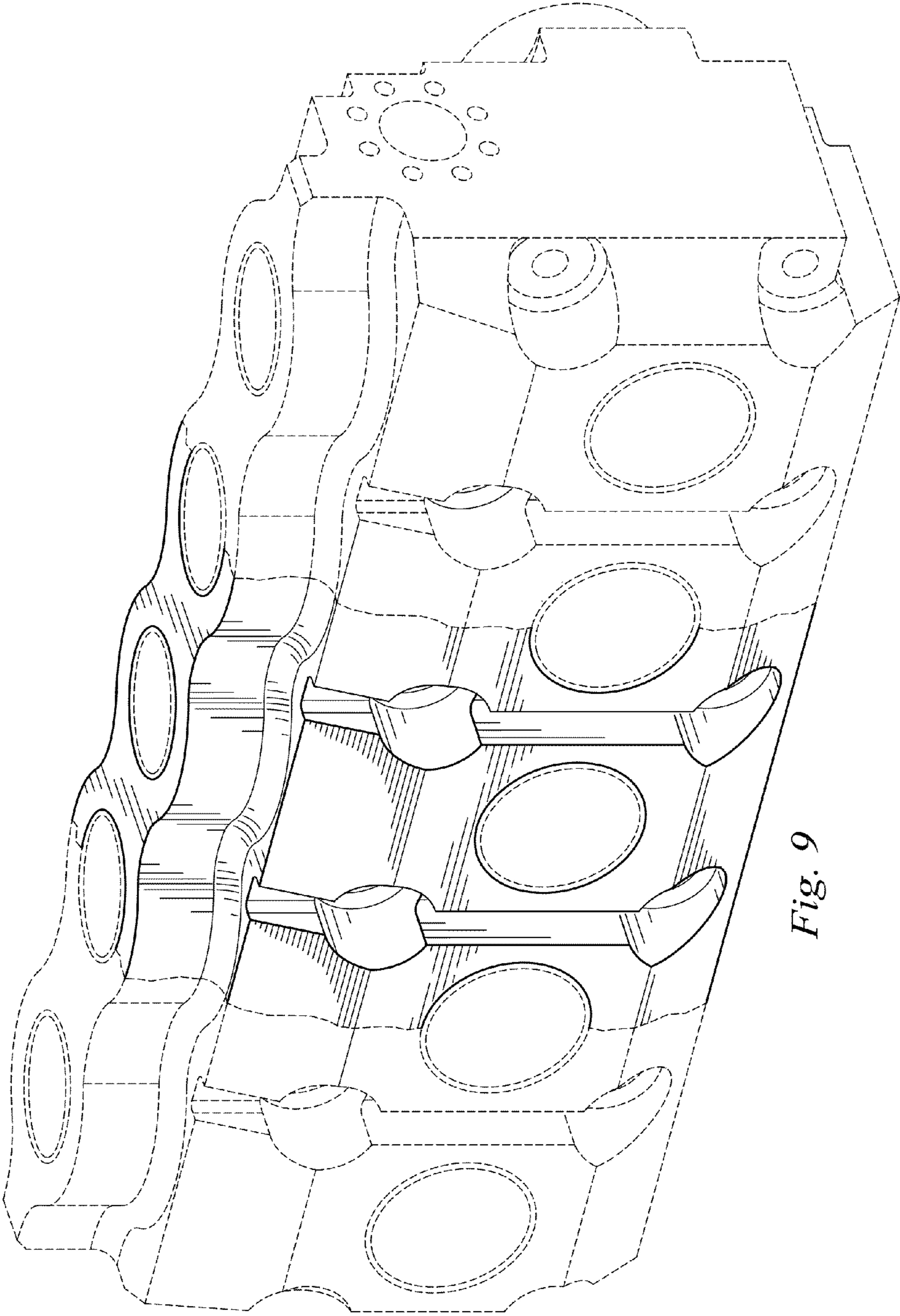


Fig. 9