



US00D679291S

(12) **United States Design Patent**
Ohm et al.

(10) **Patent No.:** **US D679,291 S**

(45) **Date of Patent:** **** Apr. 2, 2013**

(54) **PORTABLE TIRE INFLATOR**

(56) **References Cited**

(75) Inventors: **Patrick L. Ohm**, Mesa, AZ (US); **C. Kwai Kong**, Gilroy, CA (US); **Alan Okamura**, Santa Cruz, CA (US); **Todd Donaldson**, Nashville, TN (US)

U.S. PATENT DOCUMENTS

D235,923 S * 7/1975 Faul et al. D15/9
D406,150 S * 2/1999 Wang D15/9
D448,353 S * 9/2001 Chang D14/125
D649,163 S * 11/2011 Moormann et al. D15/7

* cited by examiner

(73) Assignee: **Bell Automotive Products, Inc.**,
Scottsdale, AZ (US)

Primary Examiner — Ralf Seiffert

(74) *Attorney, Agent, or Firm* — Booth Udall Fuller, PLC

(**) Term: **14 Years**

(57) **CLAIM**

The ornamental design for a portable tire inflator, as shown and described.

(21) Appl. No.: **29/413,364**

DESCRIPTION

(22) Filed: **Feb. 14, 2012**

(51) **LOC (9) Cl.** **15-02**

(52) **U.S. Cl.** **D15/7**

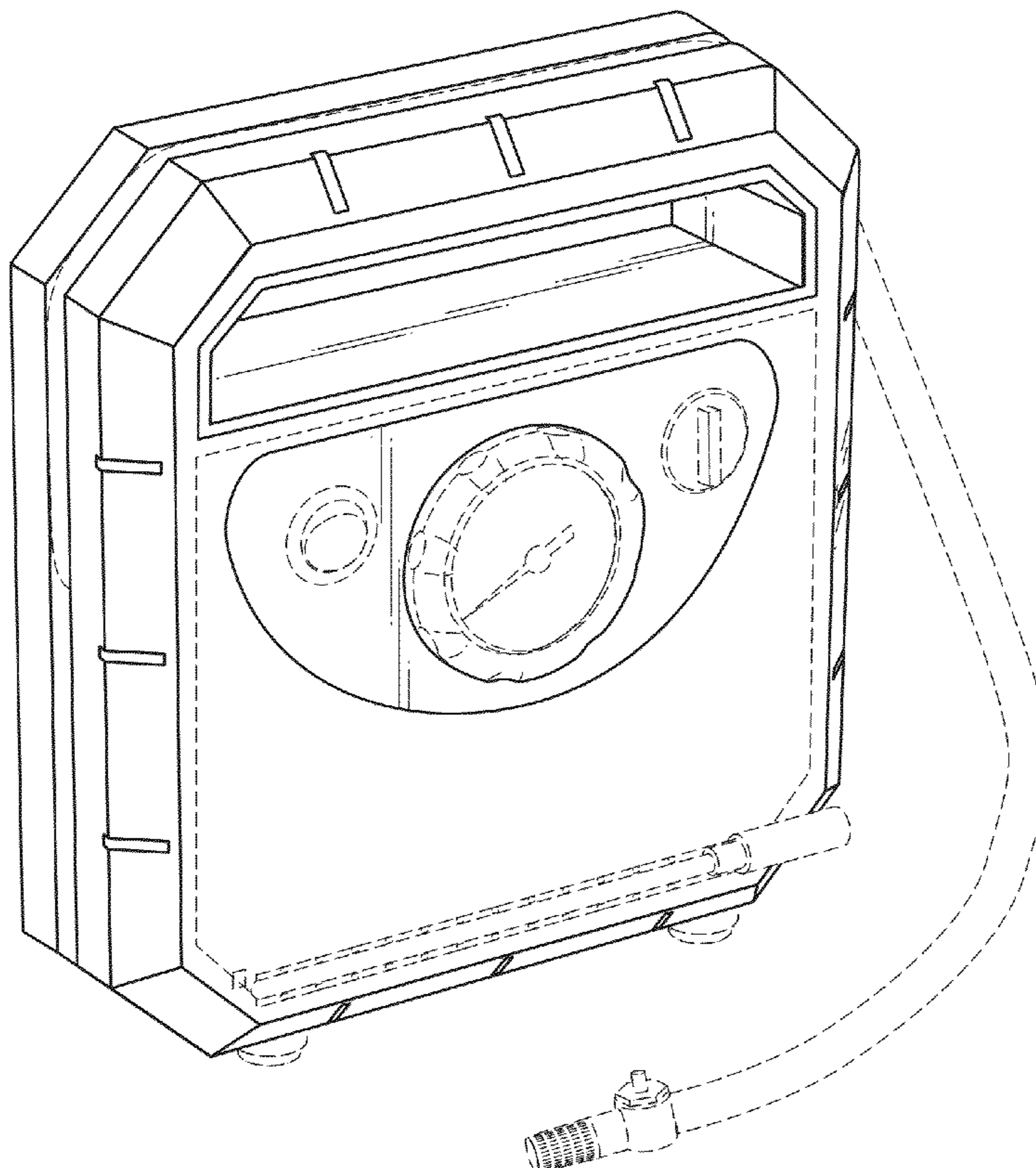
(58) **Field of Classification Search** D15/7-9;
417/60, 235, 265, 321, 355, 358, 363, 359,
417/410.1, 415-416, 405, 900; D23/231,
D23/232, 225

FIG. 1 is front view of a portable tire inflator;
FIG. 2 is a left side view thereof;
FIG. 3 is a rear view thereof;
FIG. 4 is a perspective view thereof;
FIG. 5 is a right side view thereof;
FIG. 6 is a top view thereof; and,
FIG. 7 is a bottom view thereof.

The broken lines are included for the purpose of illustrating environmental features and form no part of the claimed design.

See application file for complete search history.

1 Claim, 6 Drawing Sheets



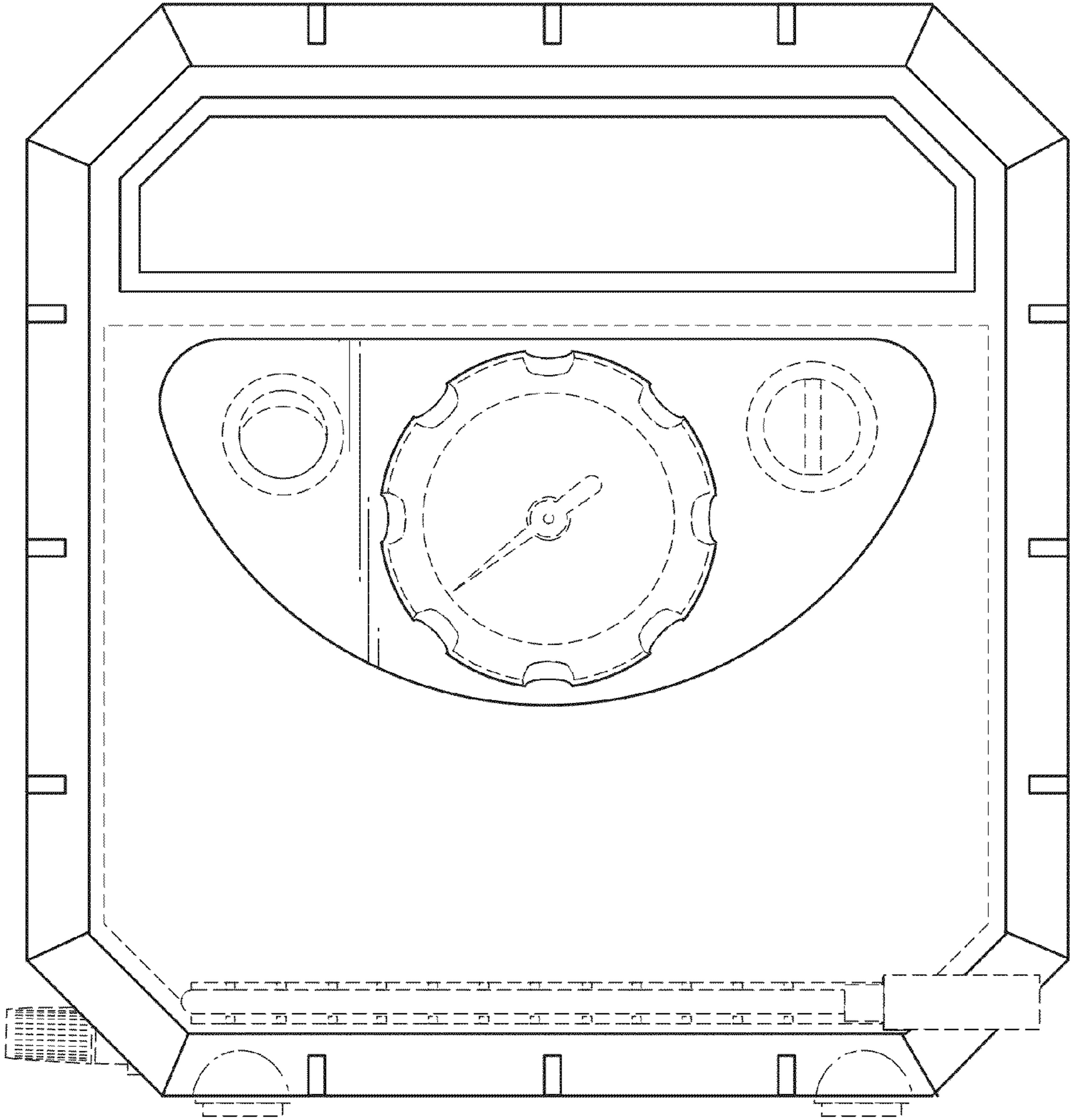


FIG. 1

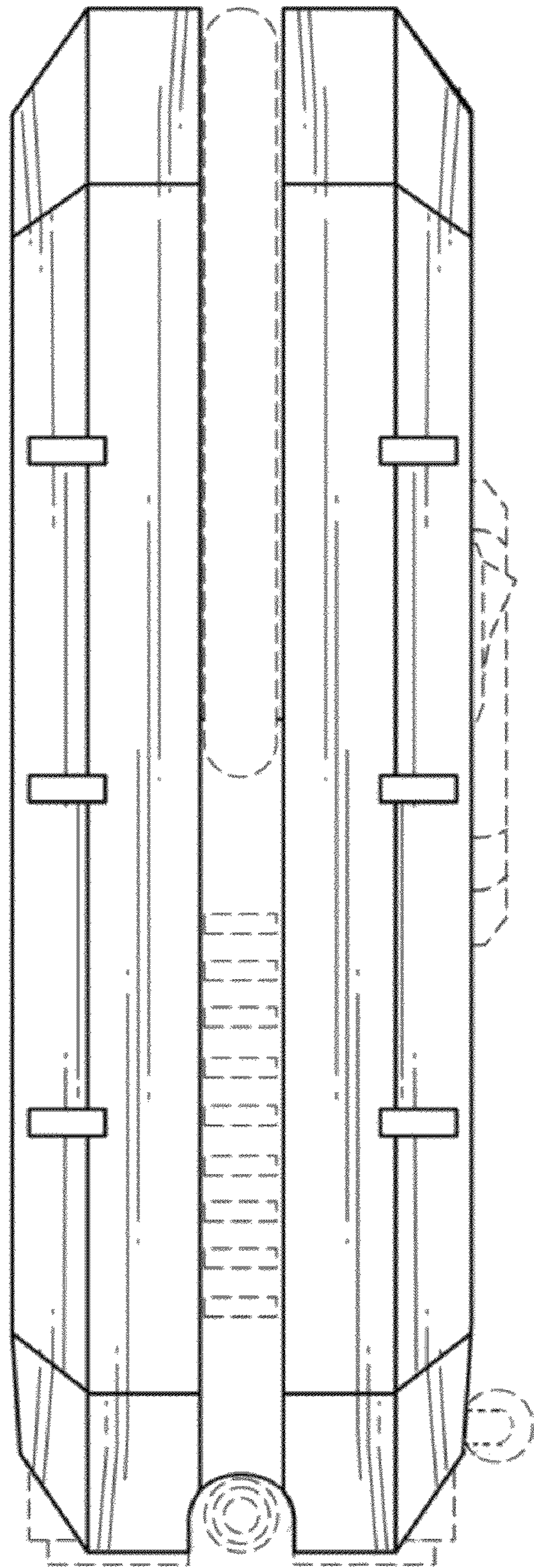


FIG. 2

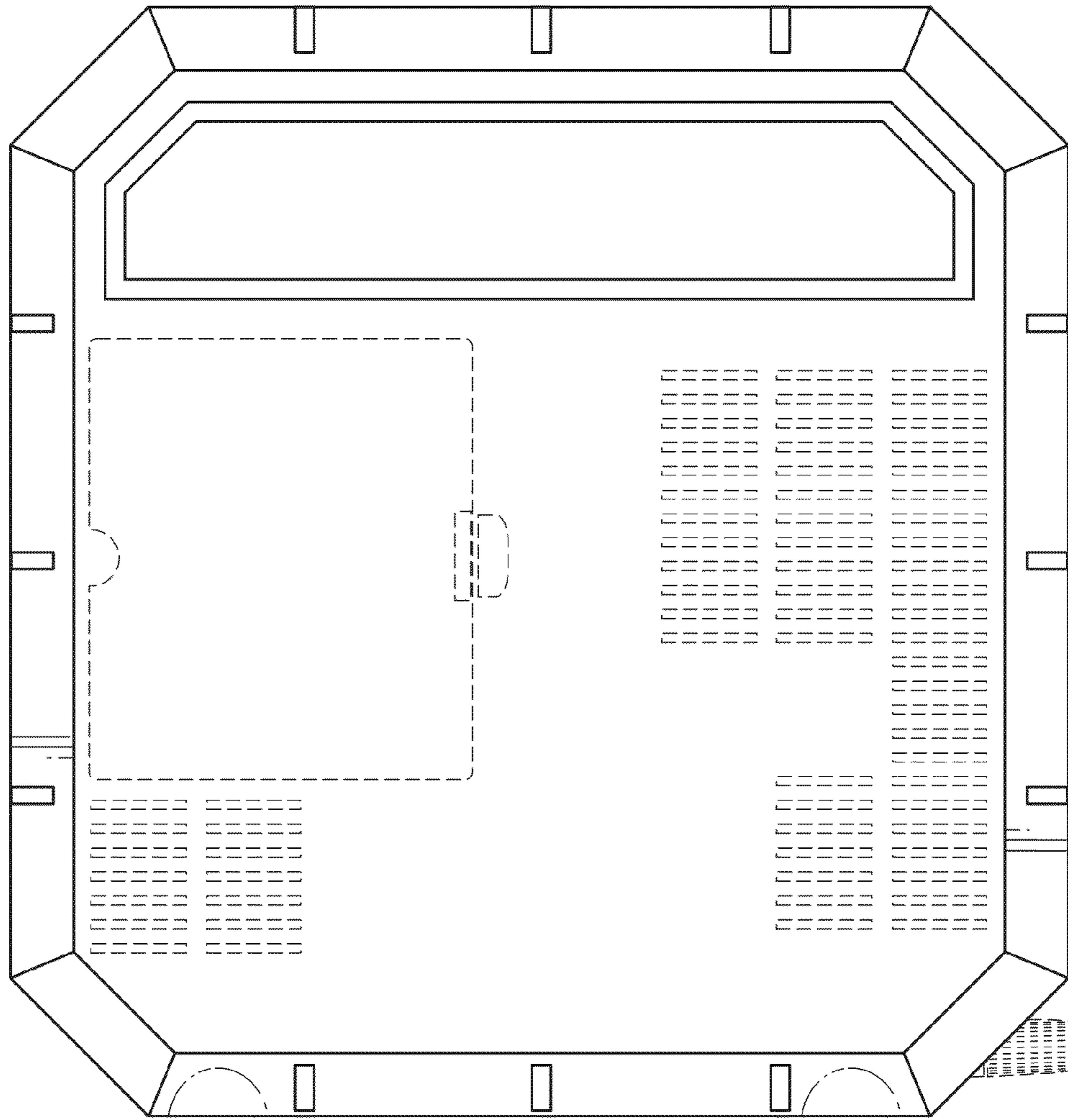


FIG. 3

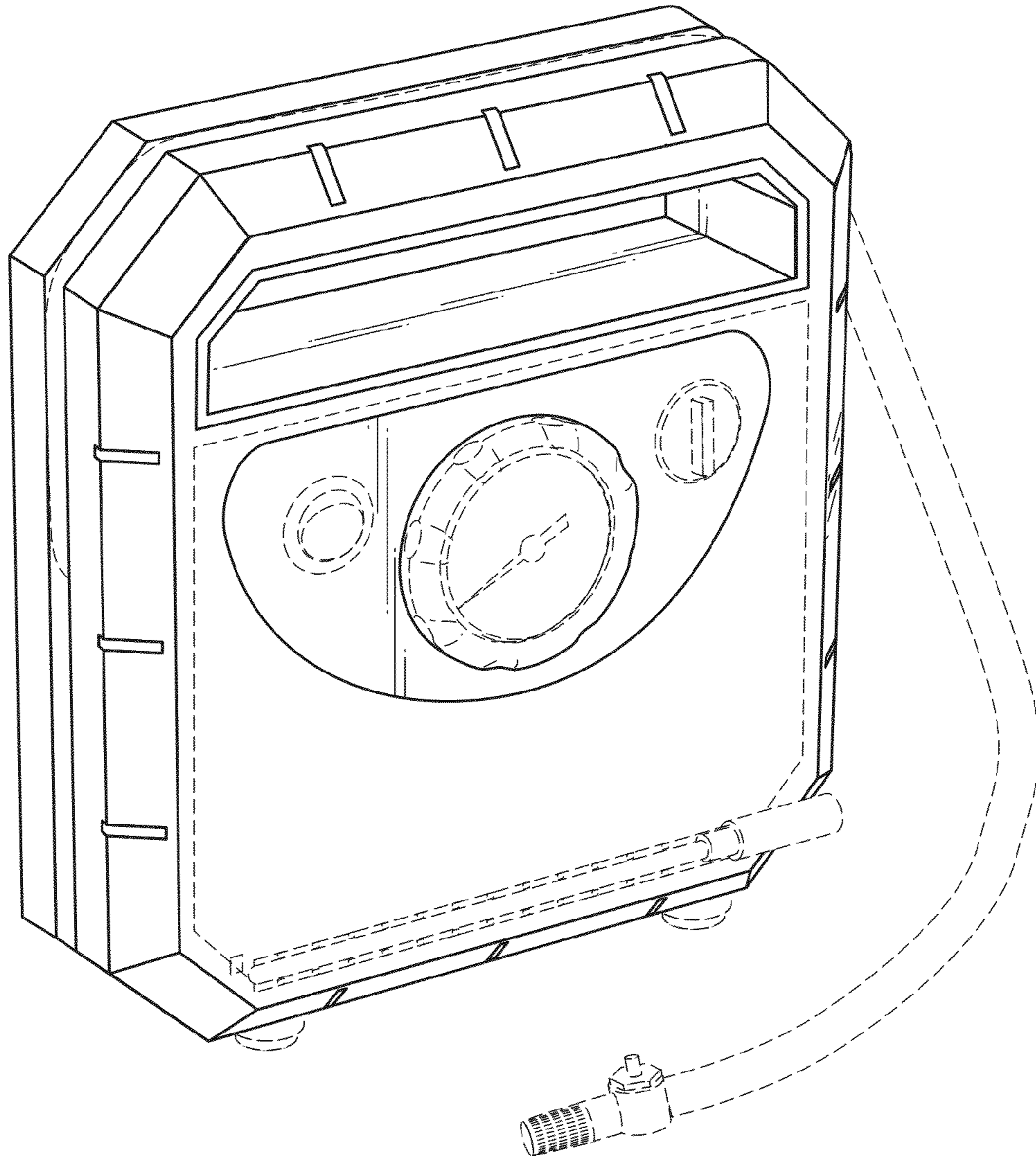


FIG. 4

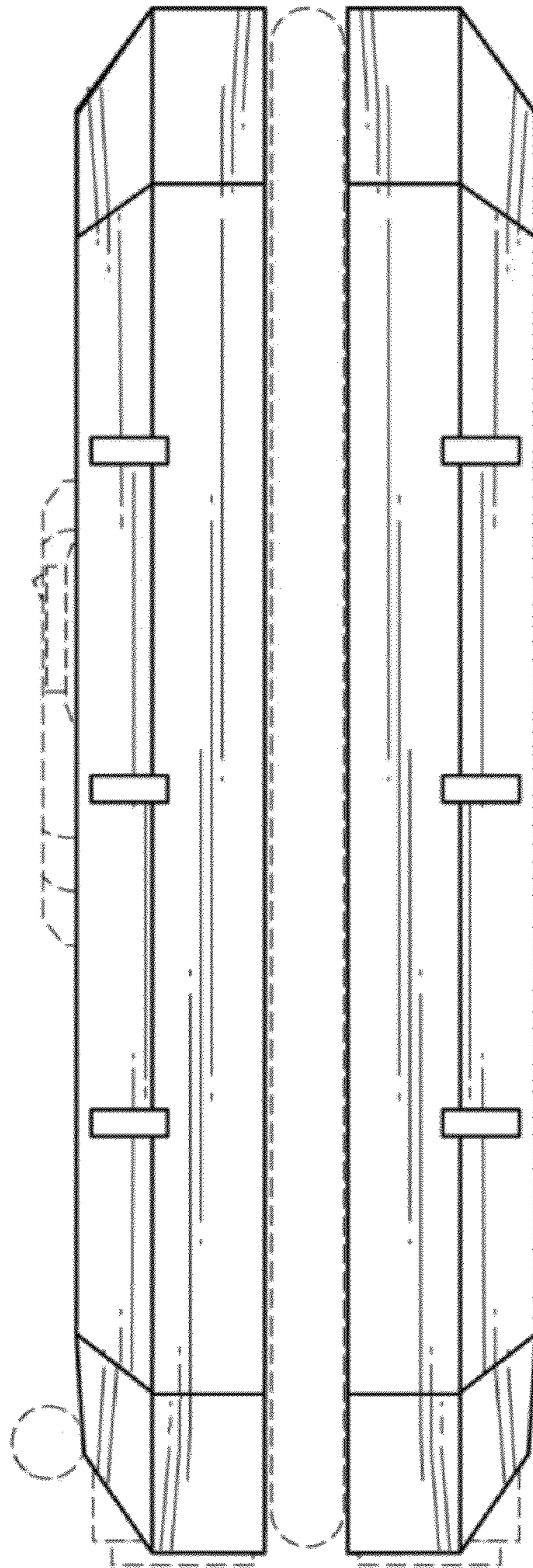


FIG. 5

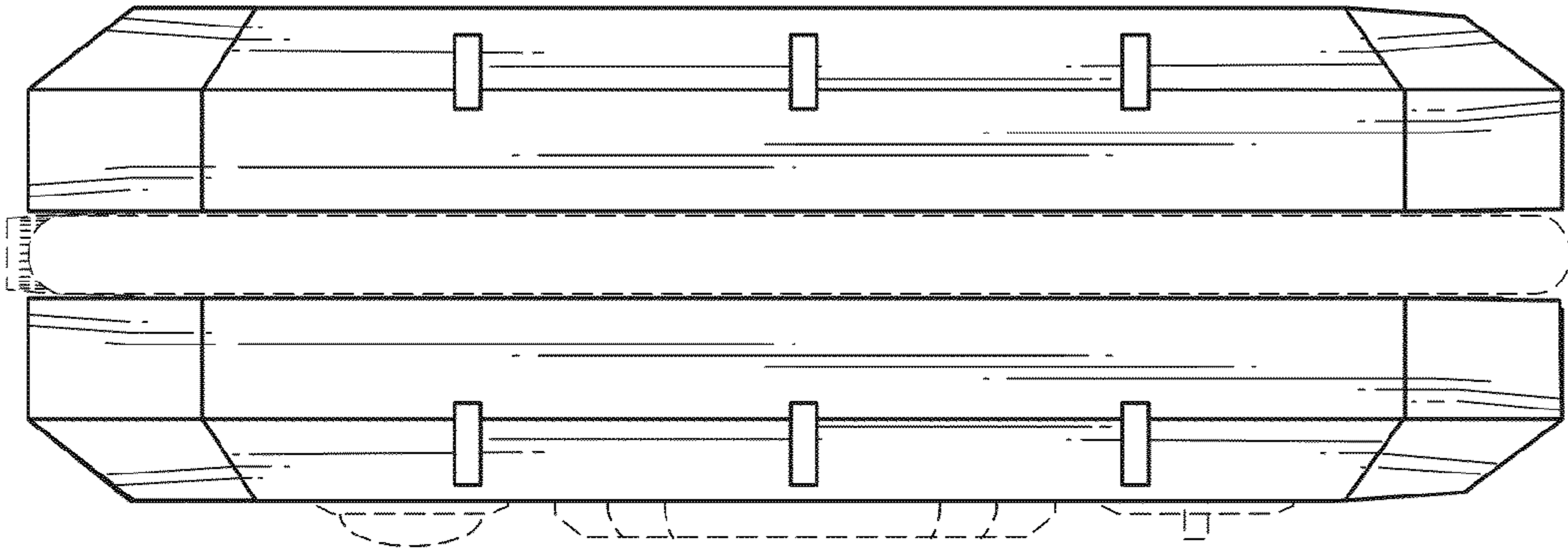


FIG. 6

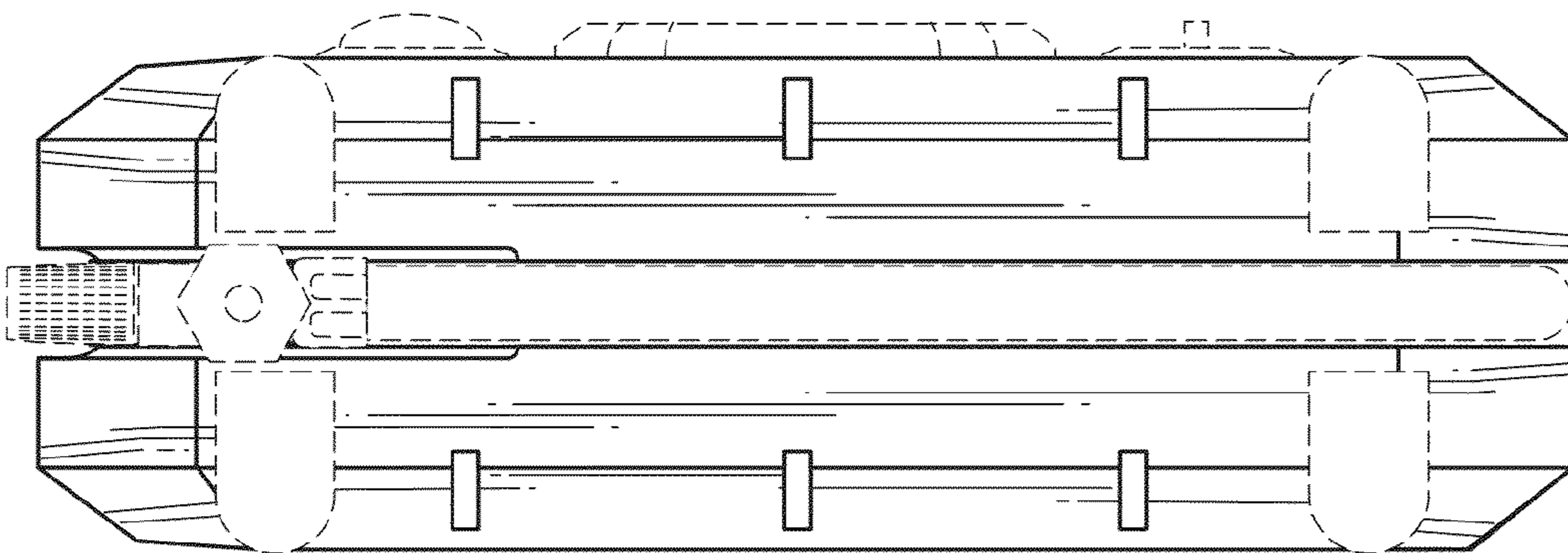


FIG. 7