



US00D679290S

(12) **United States Design Patent**
Skurdalsvold

(10) **Patent No.:** **US D679,290 S**

(45) **Date of Patent:** **** Apr. 2, 2013**

(54) **FLUID END BLOCK FOR A
RECIPROCATING PUMP**

(75) Inventor: **Scott Skurdalsvold**, Mansfield, TX (US)

(73) Assignee: **S.P.M. Flow Control, Inc.**, Fort Worth,
TX (US)

(**) Term: **14 Years**

(21) Appl. No.: **29/411,974**

(22) Filed: **Jan. 27, 2012**

(51) **LOC (9) Cl.** **15-02**

(52) **U.S. Cl.** **D15/7**

(58) **Field of Classification Search** D15/7-9;
D23/231, 232; 417/410.1, 359, 415-416,
417/234, 321, 265, 405; D24/107, 108, 111
See application file for complete search history.

(56) **References Cited**

U.S. PATENT DOCUMENTS

D605,665 S * 12/2009 Falkenberg D15/7
D655,314 S * 3/2012 Yoshimura et al. D15/9

* cited by examiner

Primary Examiner — Ralf Seifert

(74) *Attorney, Agent, or Firm* — Haynes and Boone, L.L.P.

(57) **CLAIM**

I claim the ornamental design for the fluid end block for a reciprocating pump, as shown and described.

DESCRIPTION

FIG. 1 is a perspective view of the front, top, and right side of the fluid end block for a reciprocating pump showing an embodiment of the design of my invention;

FIG. 2 is a right side view of the fluid end block for a reciprocating pump of FIG. 1.

FIG. 3 is a left side view of the fluid end block for a reciprocating pump of FIG. 1.

FIG. 4 is a top view of the fluid end block for a reciprocating pump of FIG. 1.

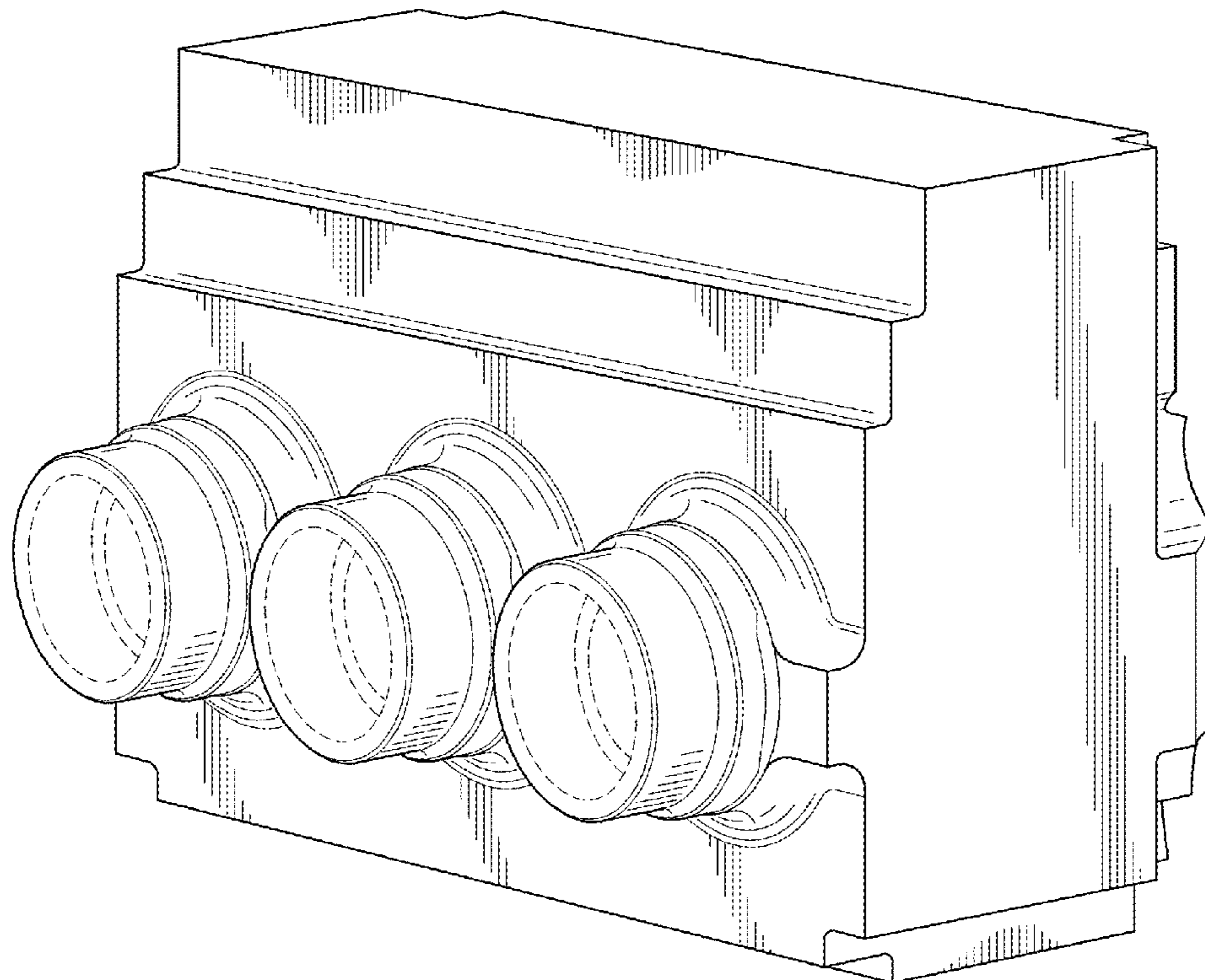
FIG. 5 is a bottom view of the fluid end block for a reciprocating pump of FIG. 1.

FIG. 6 is a front elevational view of the fluid end block for a reciprocating pump of FIG. 1; and,

FIG. 7 is a rear elevational view of the fluid end block for a reciprocating pump of FIG. 1.

The broken lines in FIG. 7 are included for the purpose of illustrating portions of the fluid end block for a reciprocating pump that form no part of the claimed design.

1 Claim, 5 Drawing Sheets



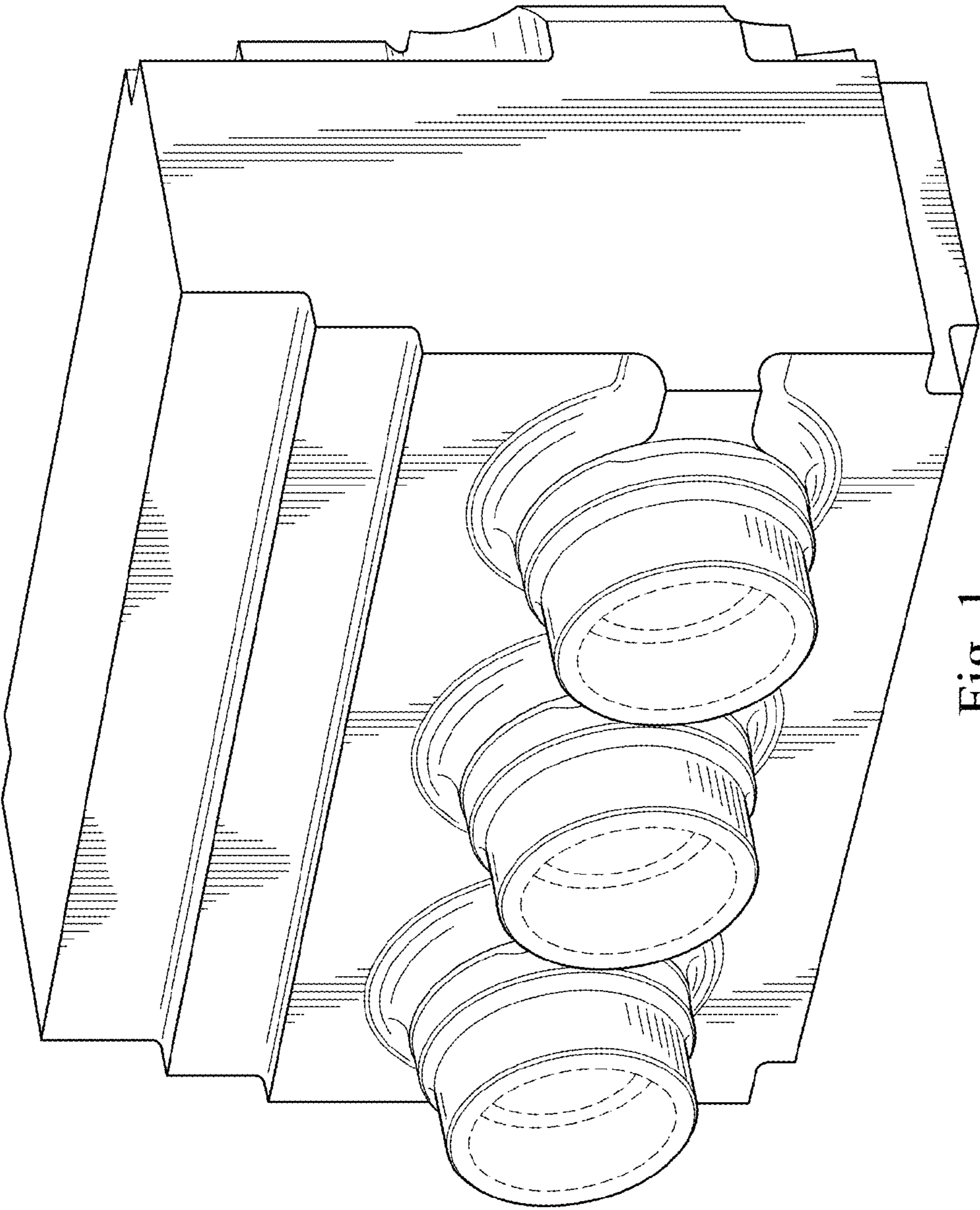


Fig. 1

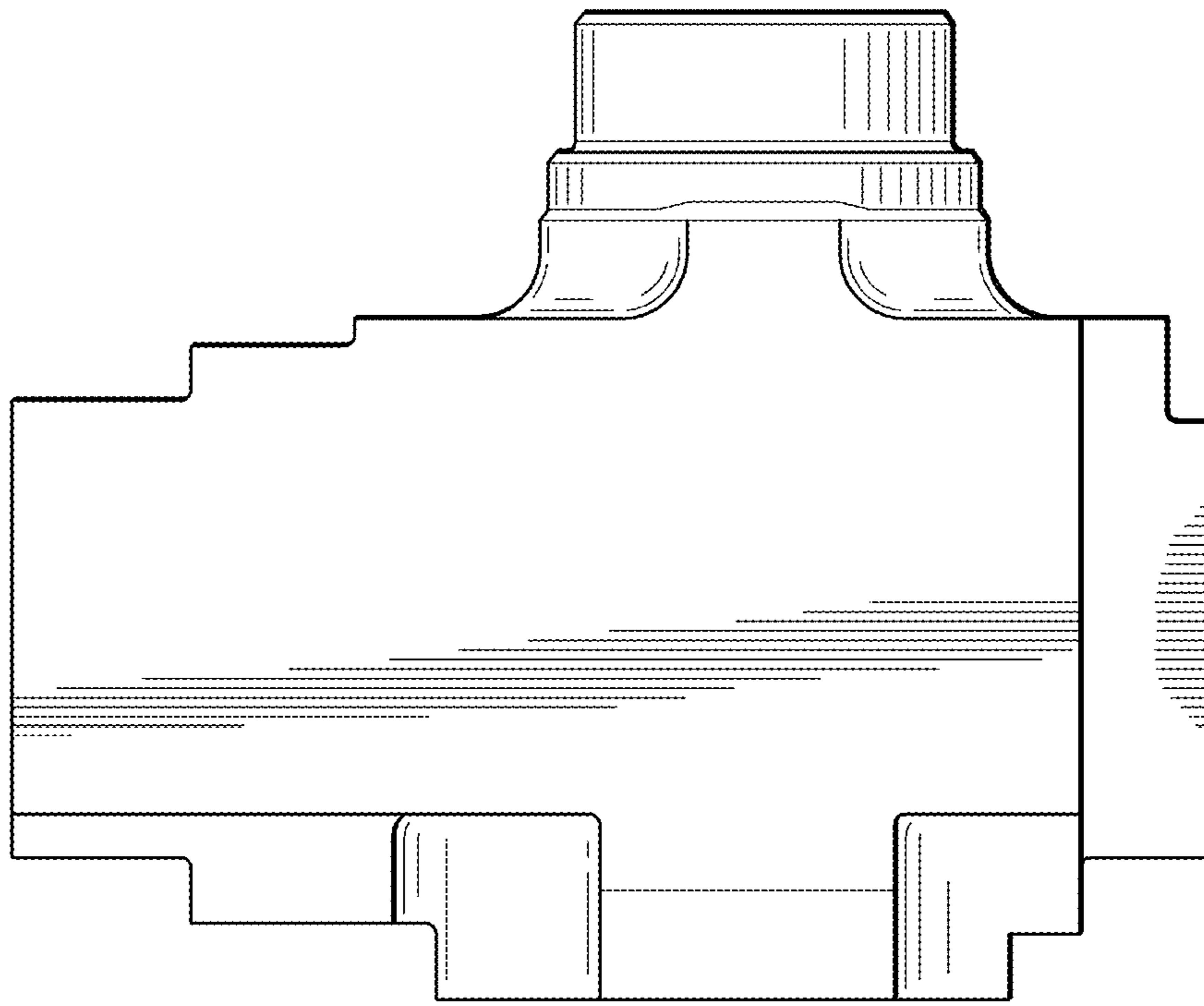


Fig. 3

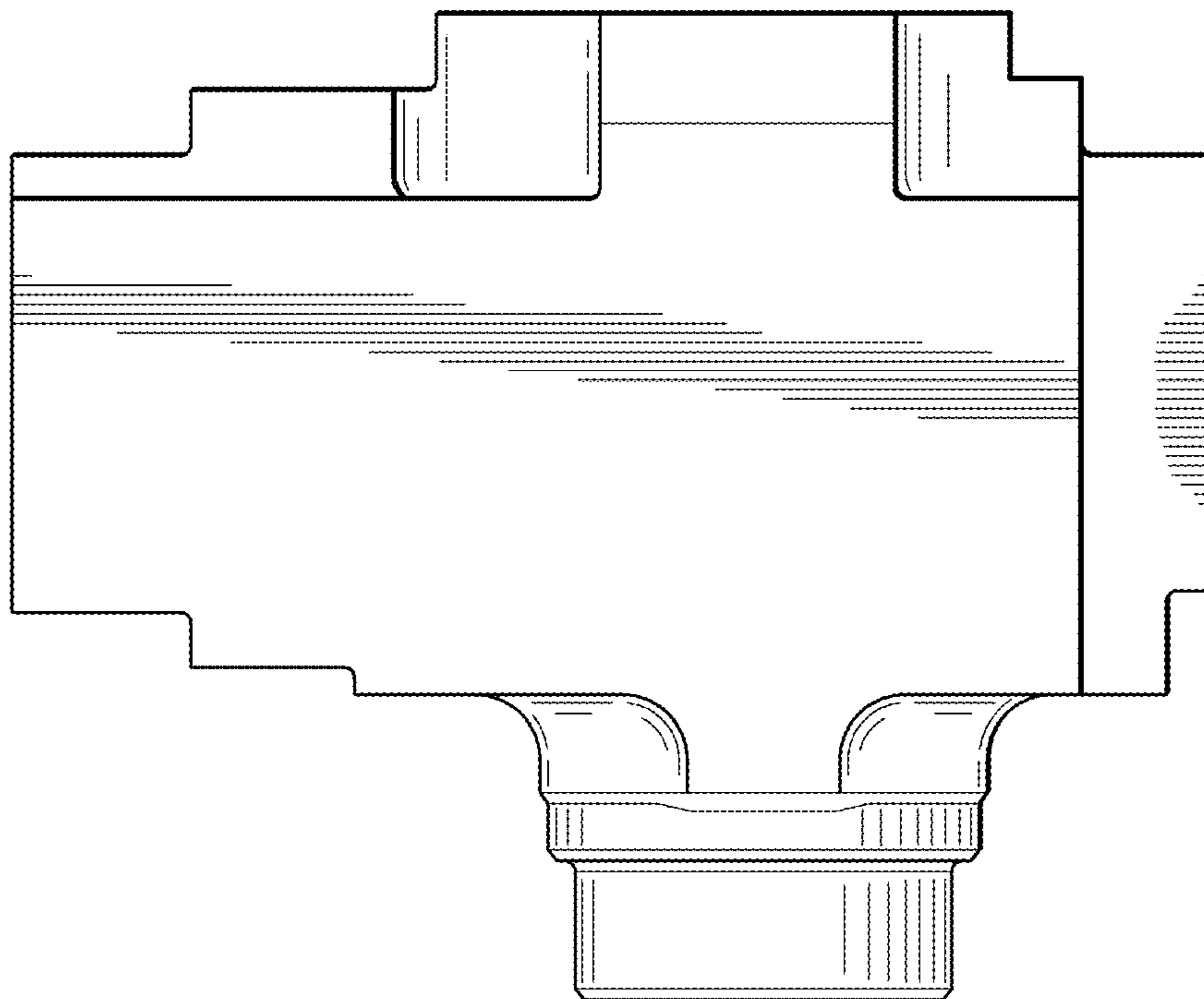


Fig. 2

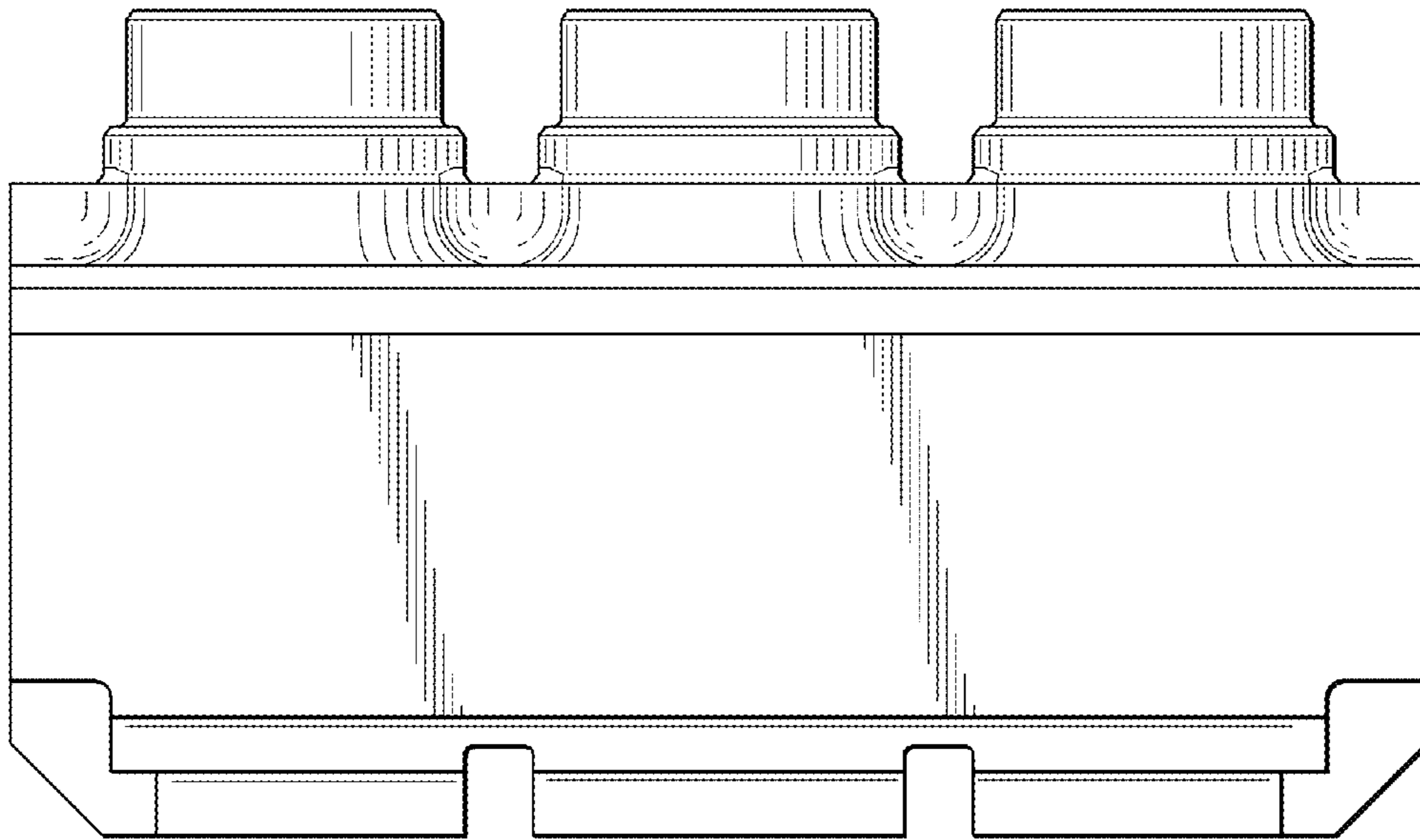


Fig. 4

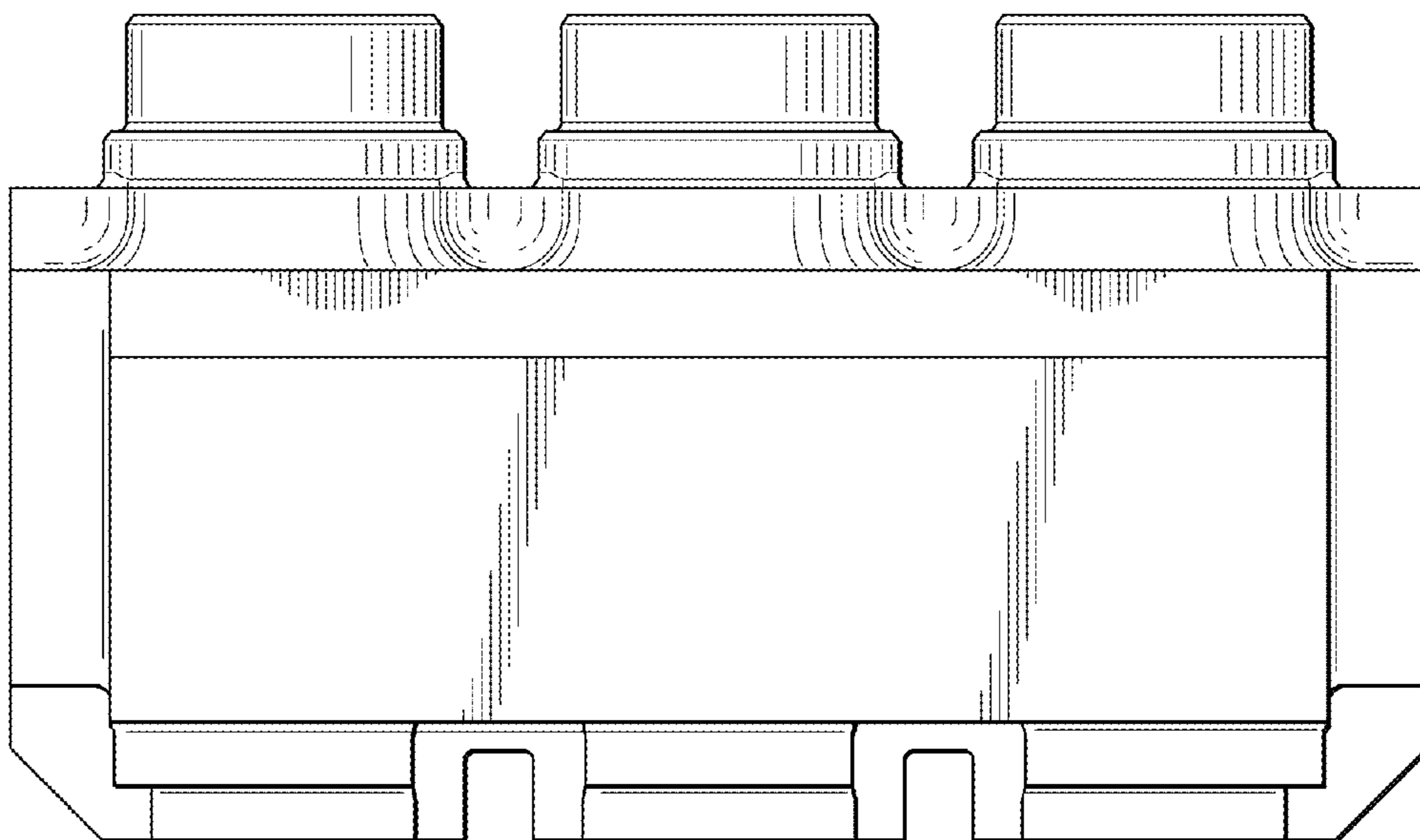


Fig. 5

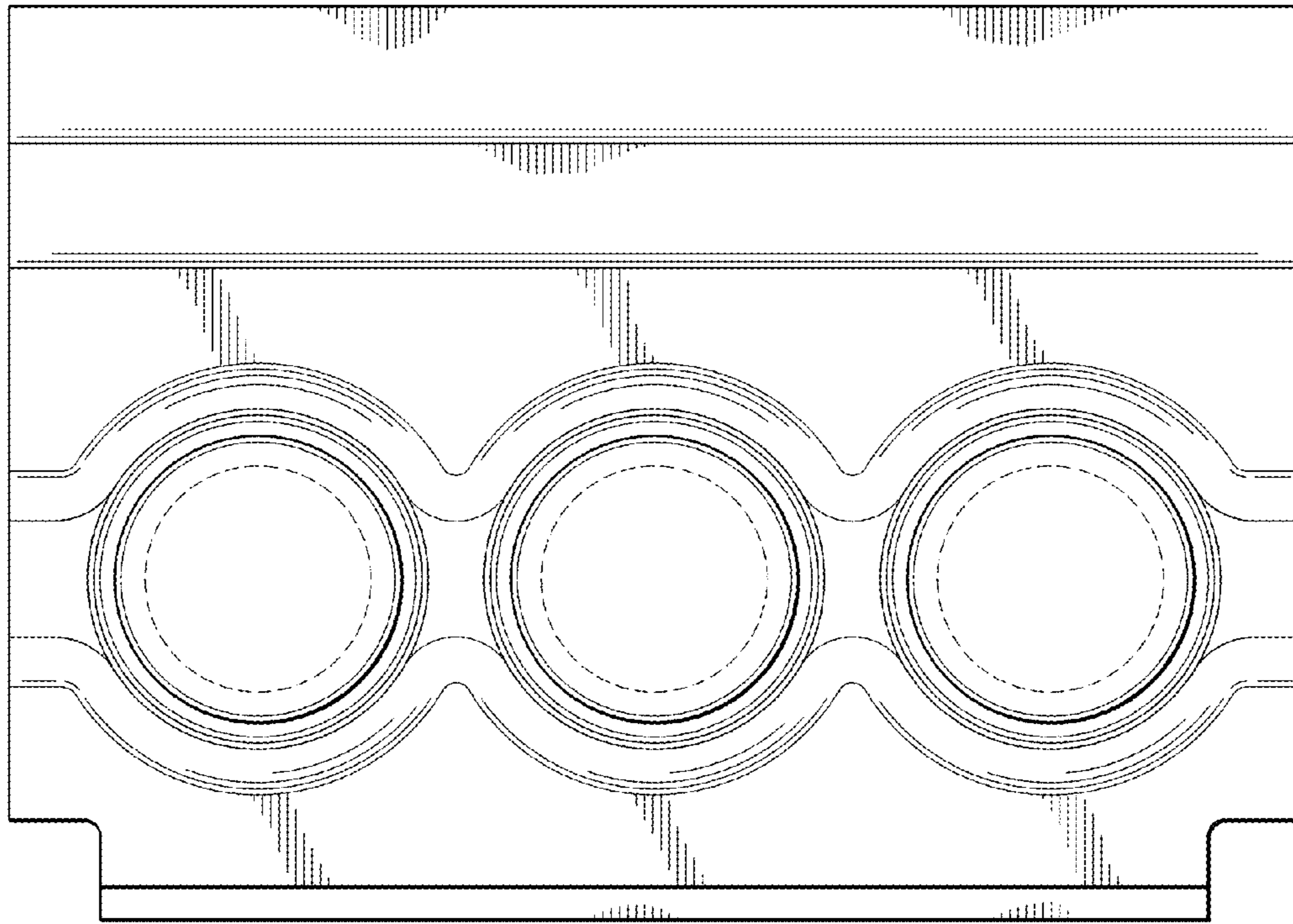


Fig. 6

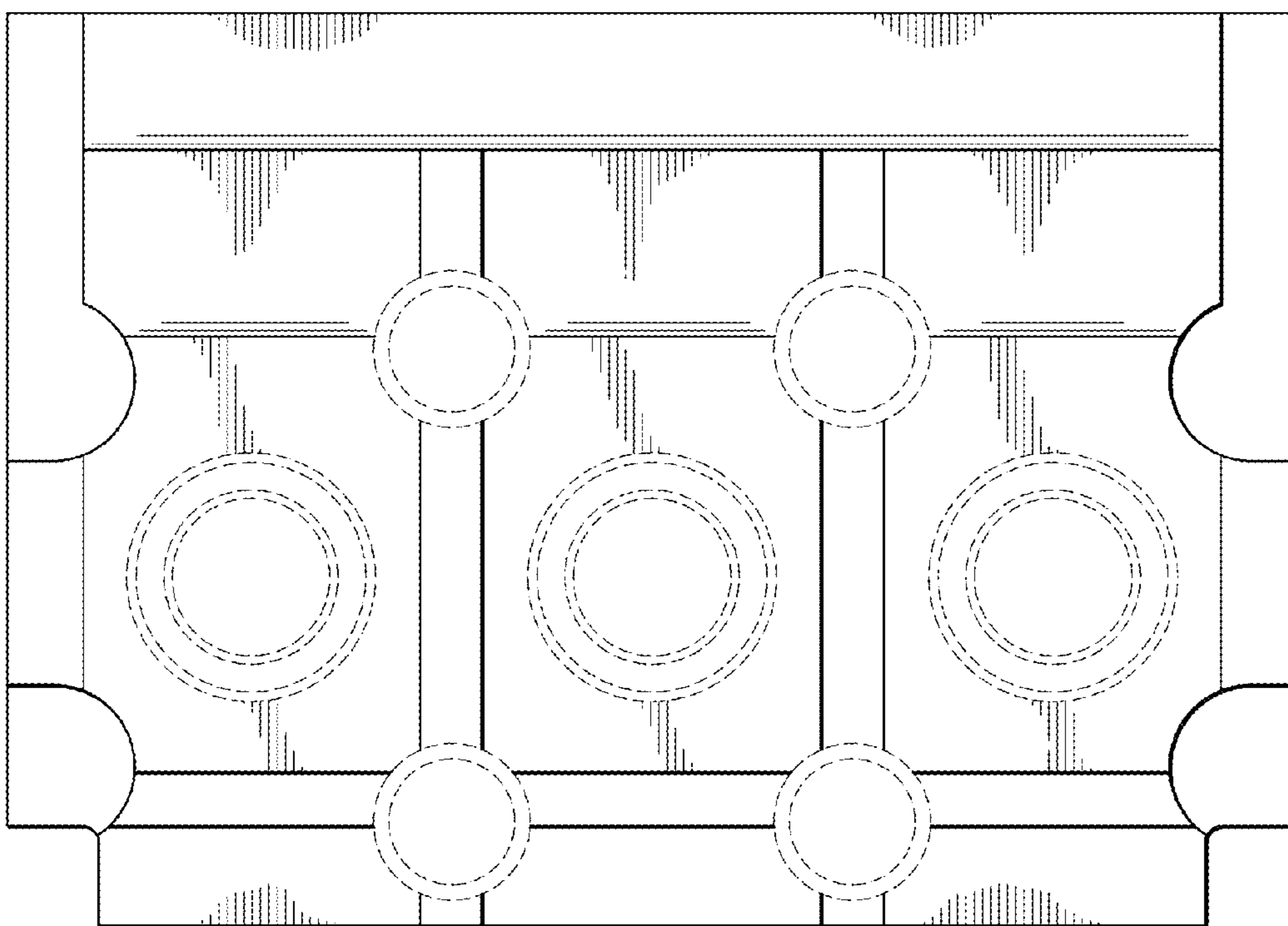


Fig. 7