



US00D679289S

(12) **United States Design Patent**
Tiefenthaler

(10) **Patent No.:** **US D679,289 S**

(45) **Date of Patent:** **** Apr. 2, 2013**

(54) **AIR CLEANER**

(75) Inventor: **Carl T. Tiefenthaler**, Jackson, WI (US)

(73) Assignee: **Briggs & Stratton Corporation**,
Wauwatosa, WI (US)

(**) Term: **14 Years**

(21) Appl. No.: **29/387,399**

(22) Filed: **Mar. 11, 2011**

(51) **LOC (9) Cl.** **15-01**

(52) **U.S. Cl.** **D15/5**

(58) **Field of Classification Search** D15/1,
D15/2, 3, 5, 6, 14, 17, 149; 123/22, 41.34,
123/51 A, 606 R, 52.1, 50 A, 50 B, 54.1,
123/54.2, 54.4, 54.5, 65 R, 195 R, 195 HC,
123/657, 311; D13/184; D14/356

See application file for complete search history.

(56) **References Cited**

U.S. PATENT DOCUMENTS

D459,348 S *	6/2002	Wei et al.	D14/349
D518,481 S *	4/2006	Chen et al.	D14/349
D529,925 S *	10/2006	Strandell et al.	D15/5
D560,275 S *	1/2008	Glass et al.	D23/364
D583,831 S *	12/2008	Post et al.	D15/5
D590,766 S *	4/2009	Brantley et al.	D13/101
D590,767 S *	4/2009	Brantley et al.	D13/101
D612,385 S *	3/2010	Aoki	D14/453
D622,712 S *	8/2010	Bang et al.	D14/240
D623,129 S *	9/2010	Kawakami et al.	D13/107
D658,598 S *	5/2012	Ling et al.	D13/177

OTHER PUBLICATIONS

Professional Series 875 and 700 Series DOV engines, downloaded from website www.briggsandstratton.com/engines/push-mower on Jun. 14, 2011, 4 pages.

Briggs & Stratton 700 Series DOV engine, downloaded from website www.usinenouvelle.com/industry/briggs-et-stratton-635/briggs-stratton-series-dov-p57879.html on Jun. 14, 2011, 3 pages.

* cited by examiner

Primary Examiner — T. Chase Nelson

Assistant Examiner — Ania Aman

(74) *Attorney, Agent, or Firm* — Foley & Lardner LLP

(57) **CLAIM**

I claim the ornamental design for an air cleaner, as shown and described.

DESCRIPTION

FIG. 1 is a front perspective view from above of an air cleaner showing my new design;

FIG. 2 is a side perspective view from above of the claimed design of FIG. 1;

FIG. 3 is a front view of the claimed design of FIG. 1;

FIG. 4 is a left side view of the claimed design of FIG. 1;

FIG. 5 is a right side view of the claimed design of FIG. 1;

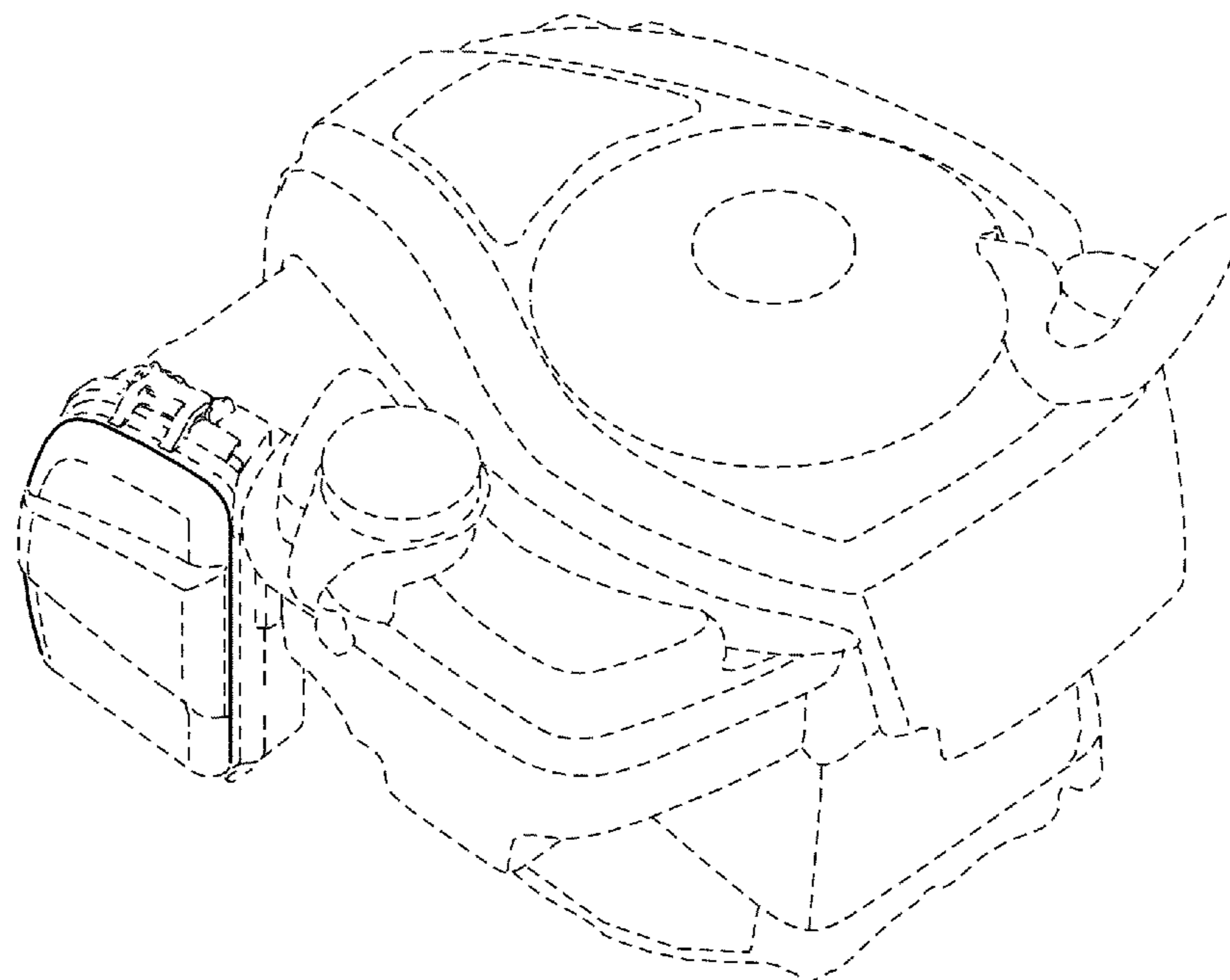
FIG. 6 is a top view of the claimed design of FIG. 1;

FIG. 7 is a bottom view of the claimed design of FIG. 1; and,

FIG. 8 is a rear view of the claimed design of FIG. 1.

The ornamental design that is claimed is shown in the single, curving solid line in the drawings, and is not directed to the surrounding surfaces. The broken lines in the drawings are for purposes of illustrating portions of the air cleaner that form no part of the claimed design.

1 Claim, 5 Drawing Sheets



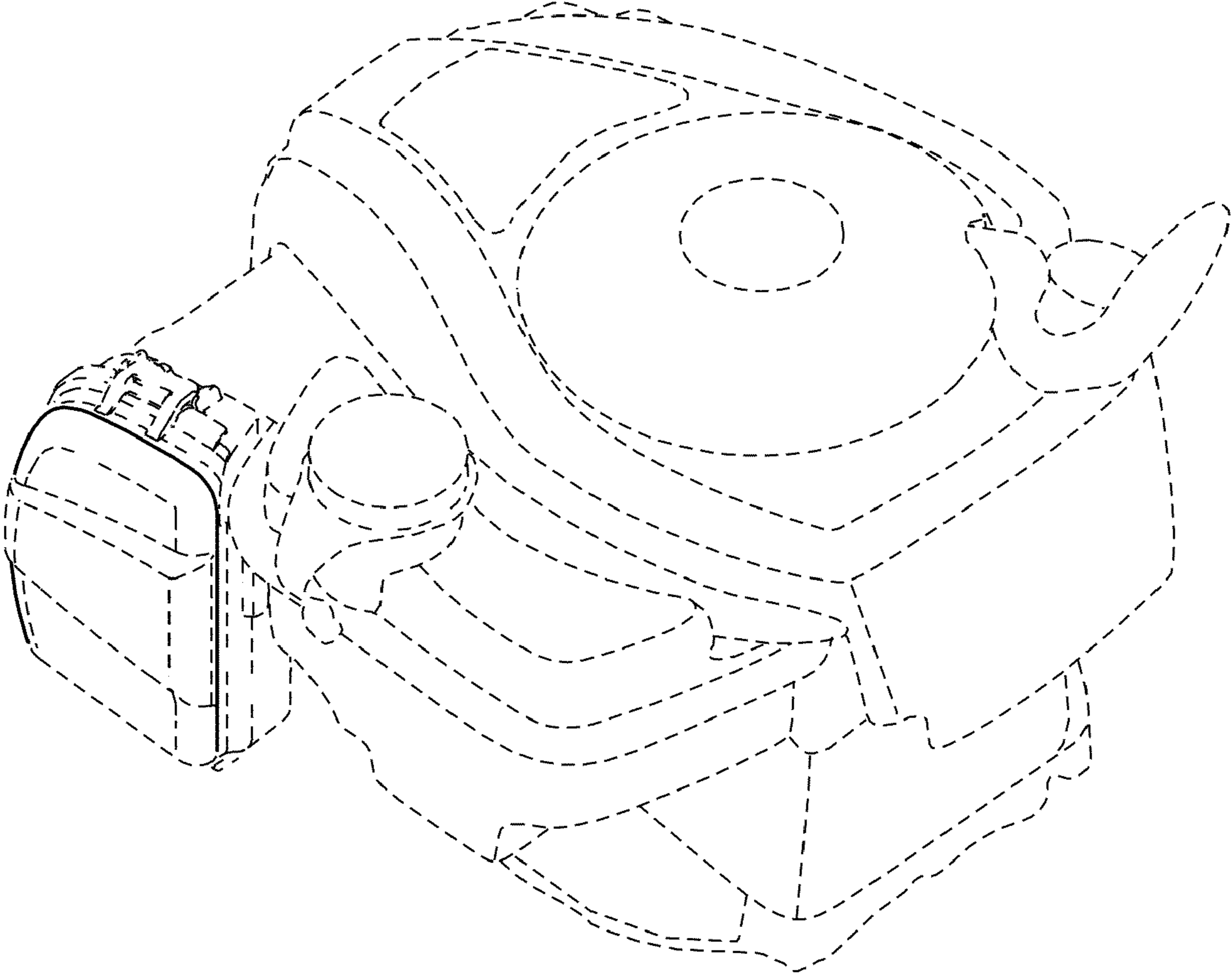


FIG. 1

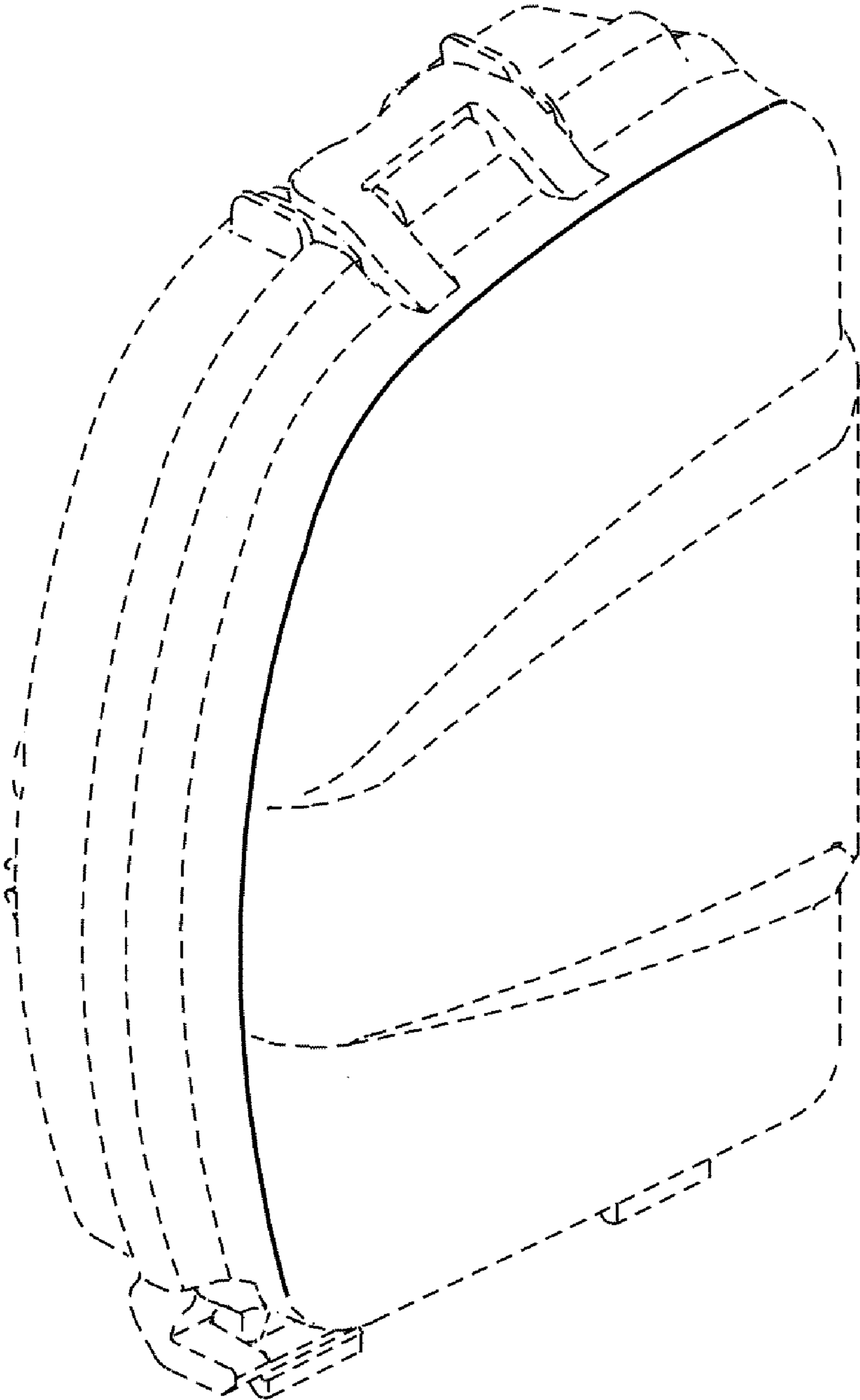


FIG. 2

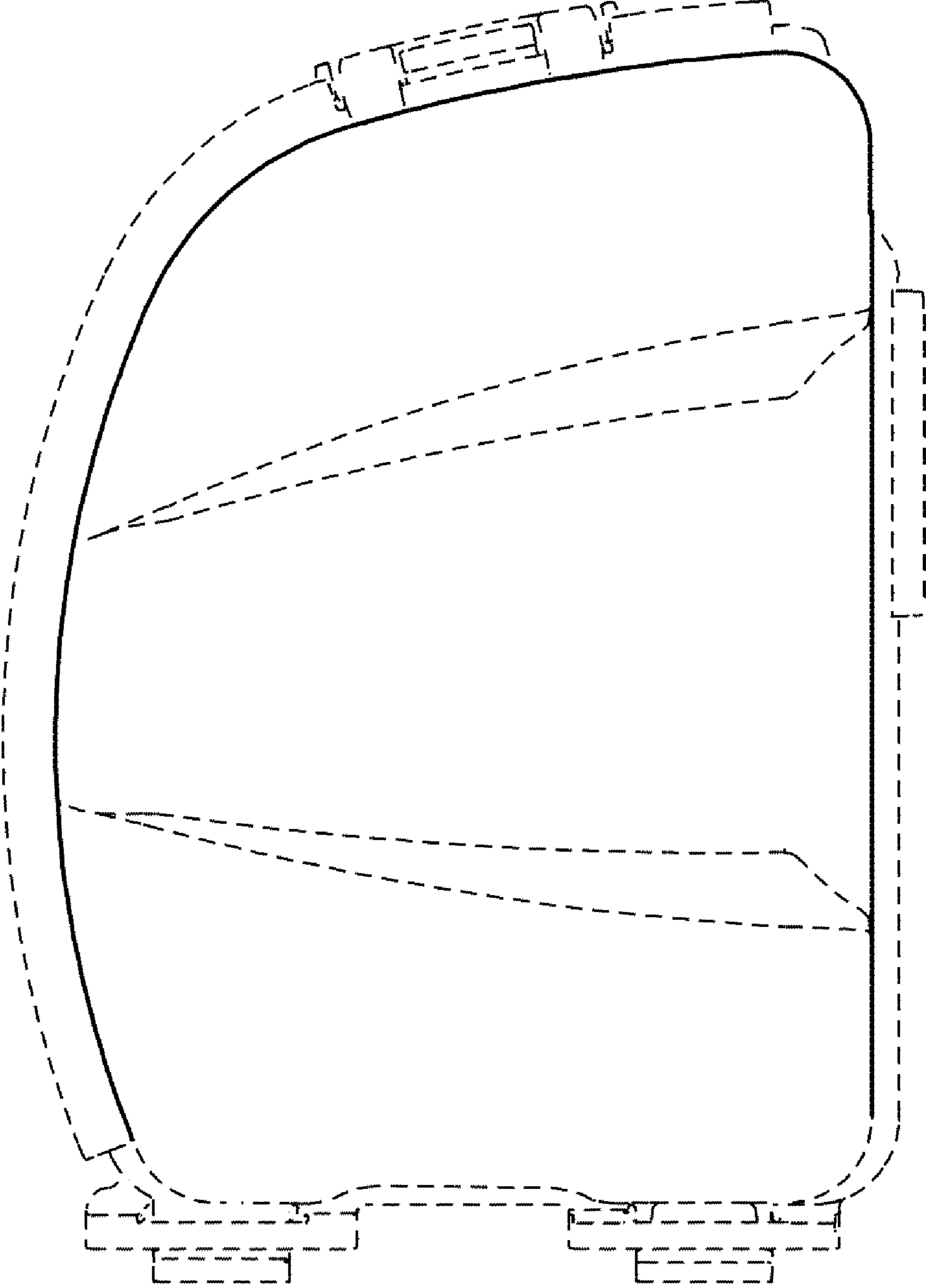


FIG. 3

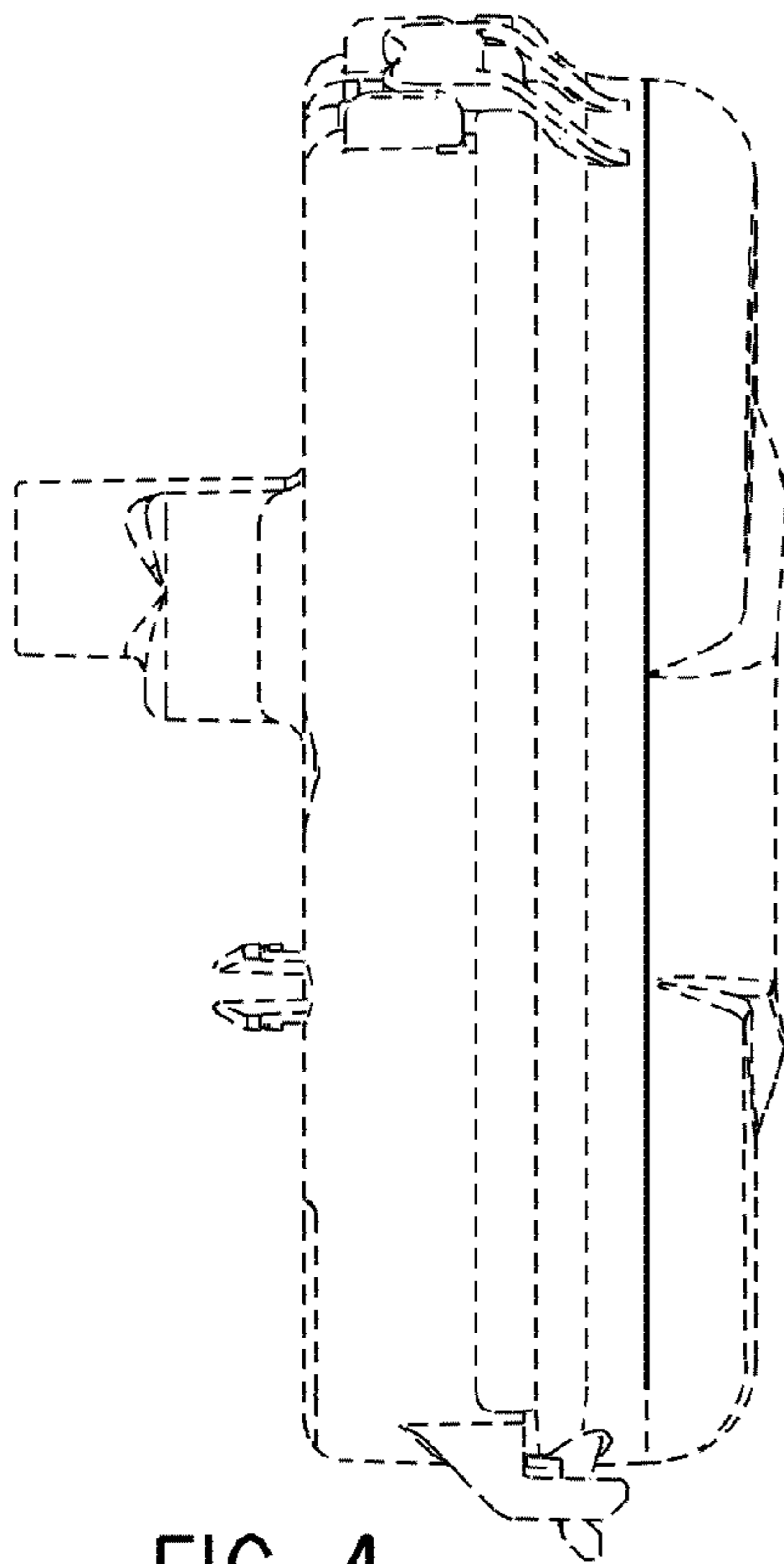


FIG. 4

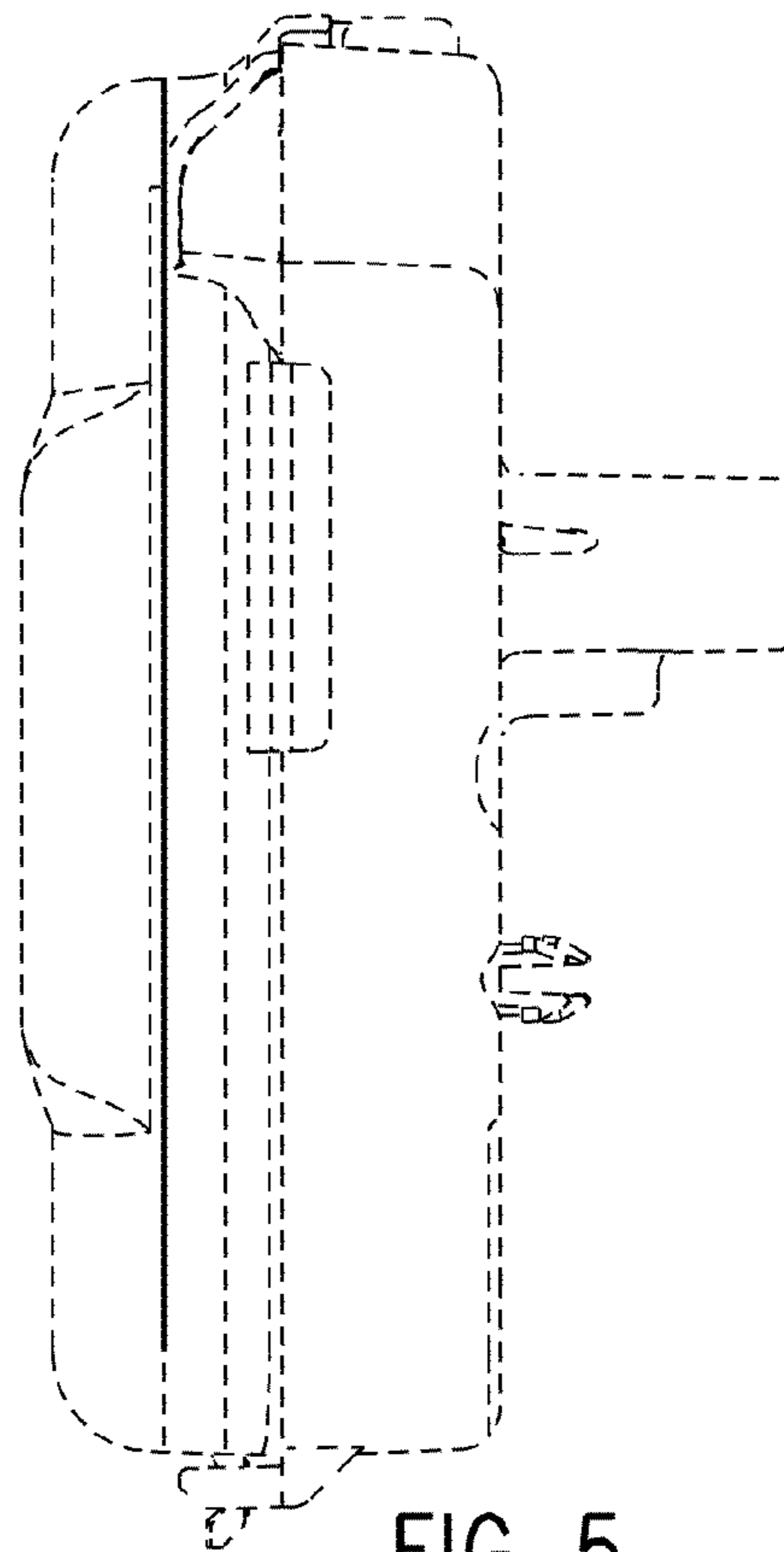


FIG. 5

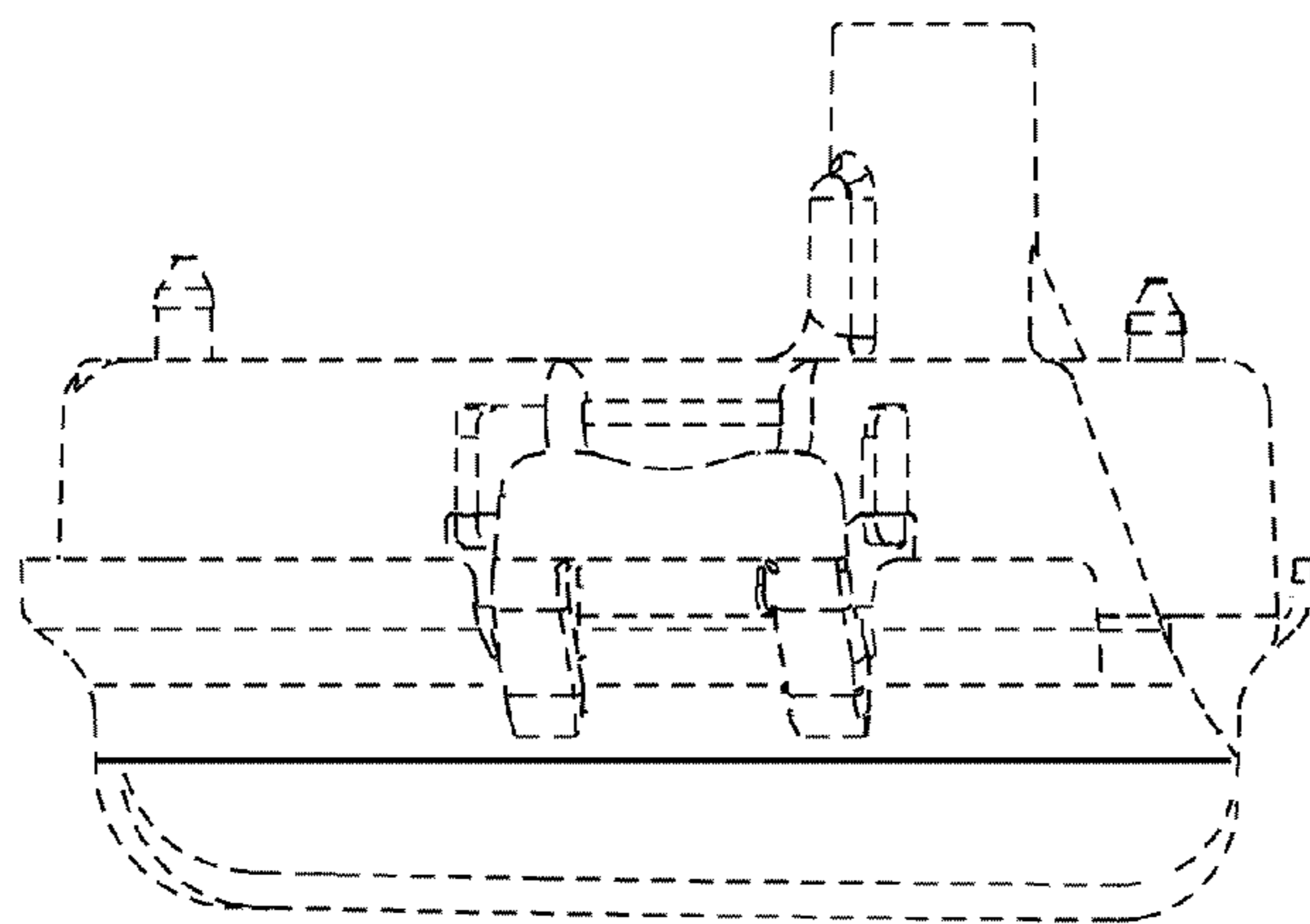


FIG. 6

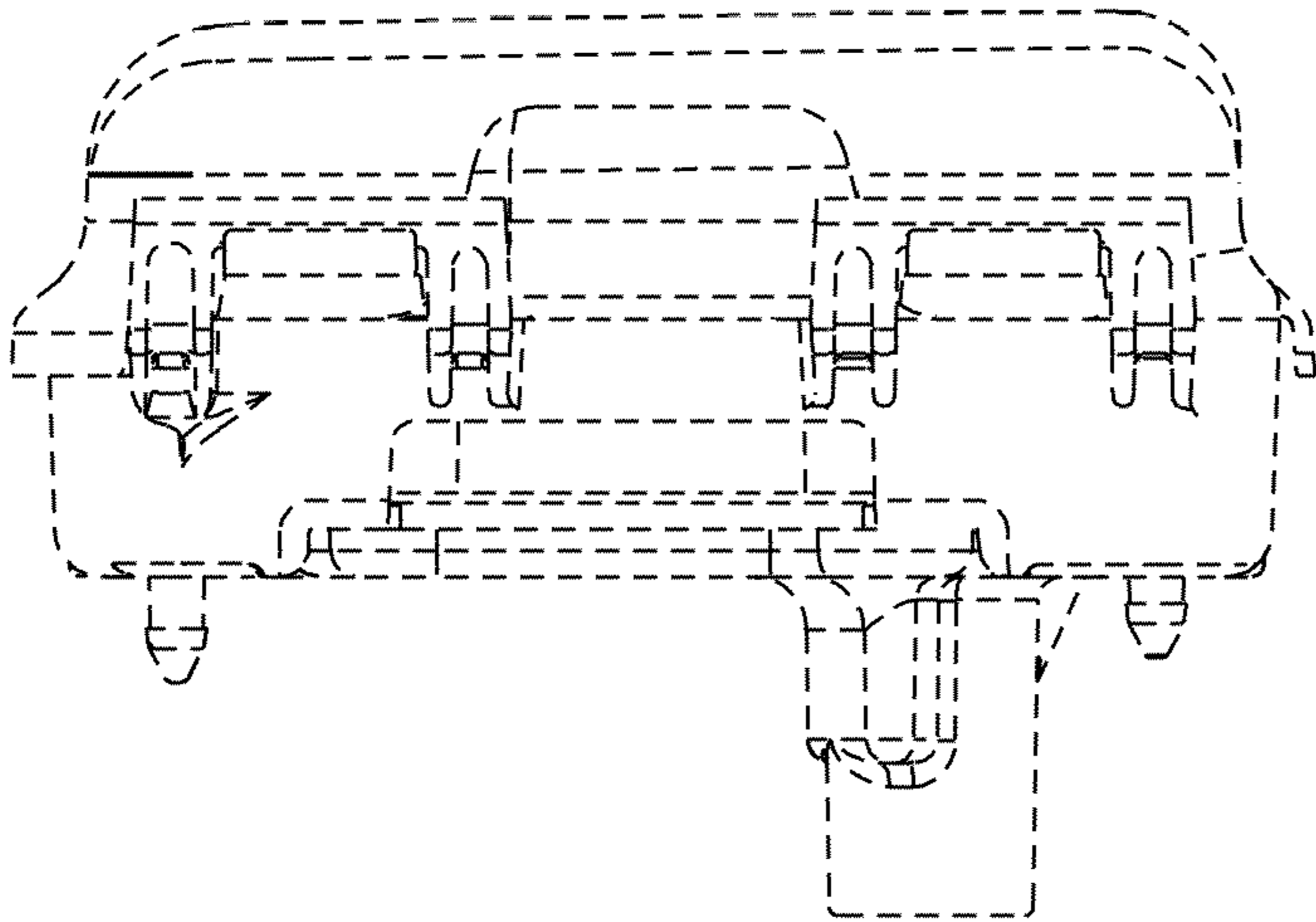


FIG. 7

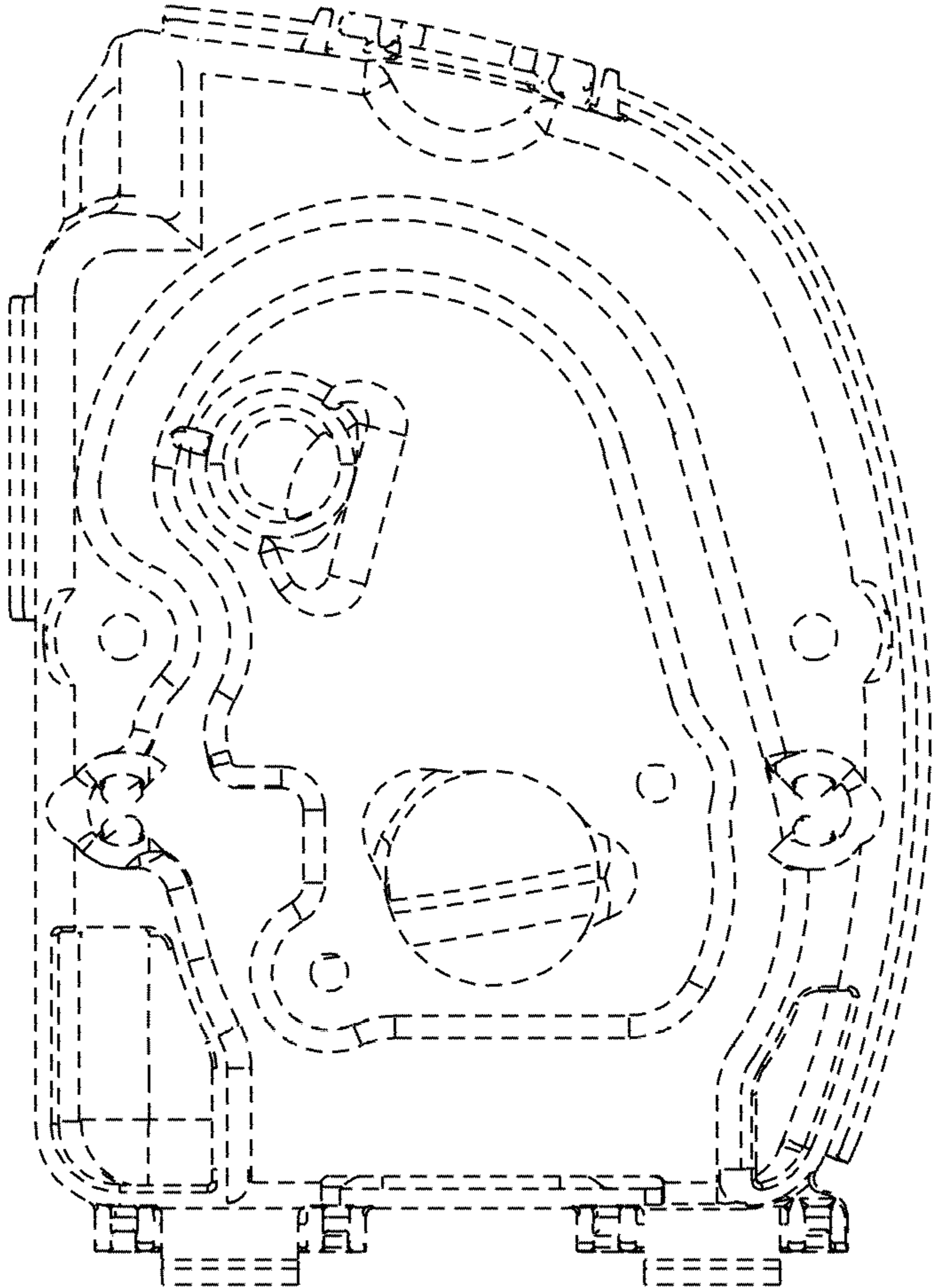


FIG. 8