



US00D679282S

(12) **United States Design Patent**
Liu et al.

(10) **Patent No.:** **US D679,282 S**
(45) **Date of Patent:** **** Apr. 2, 2013**

(54) **MONITOR ARTICULATING MOUNT**

(75) Inventors: **Tseng-Lang Liu**, Taichung (TW);
Chia-Ling Shieh, Taichung (TW)

(73) Assignee: **C.D. Great Furniture Co., Ltd.**,
Taichung (TW)

(**) Term: **14 Years**

(21) Appl. No.: **29/426,143**

(22) Filed: **Jun. 29, 2012**

(51) **LOC (9) Cl.** **08-07**

(52) **U.S. Cl.** **D14/452**

(58) **Field of Classification Search** D14/432,
D14/448-452; 248/280.11, 281.11, 284.1,
248/286.1, 231.71, 917-924, 118.3, 118
See application file for complete search history.

(56) **References Cited**

U.S. PATENT DOCUMENTS

D323,323 S * 1/1992 Klaebel D14/452
D494,183 S * 8/2004 Wills et al. D14/452
D544,489 S * 6/2007 Oddsen et al. D14/452
D557,125 S * 12/2007 Worrall et al. D8/380

D562,331 S * 2/2008 Li D14/452
D660,843 S * 5/2012 Kaluza D14/452
D666,207 S * 8/2012 Brandt D14/452

* cited by examiner

Primary Examiner — Cynthia Ramirez

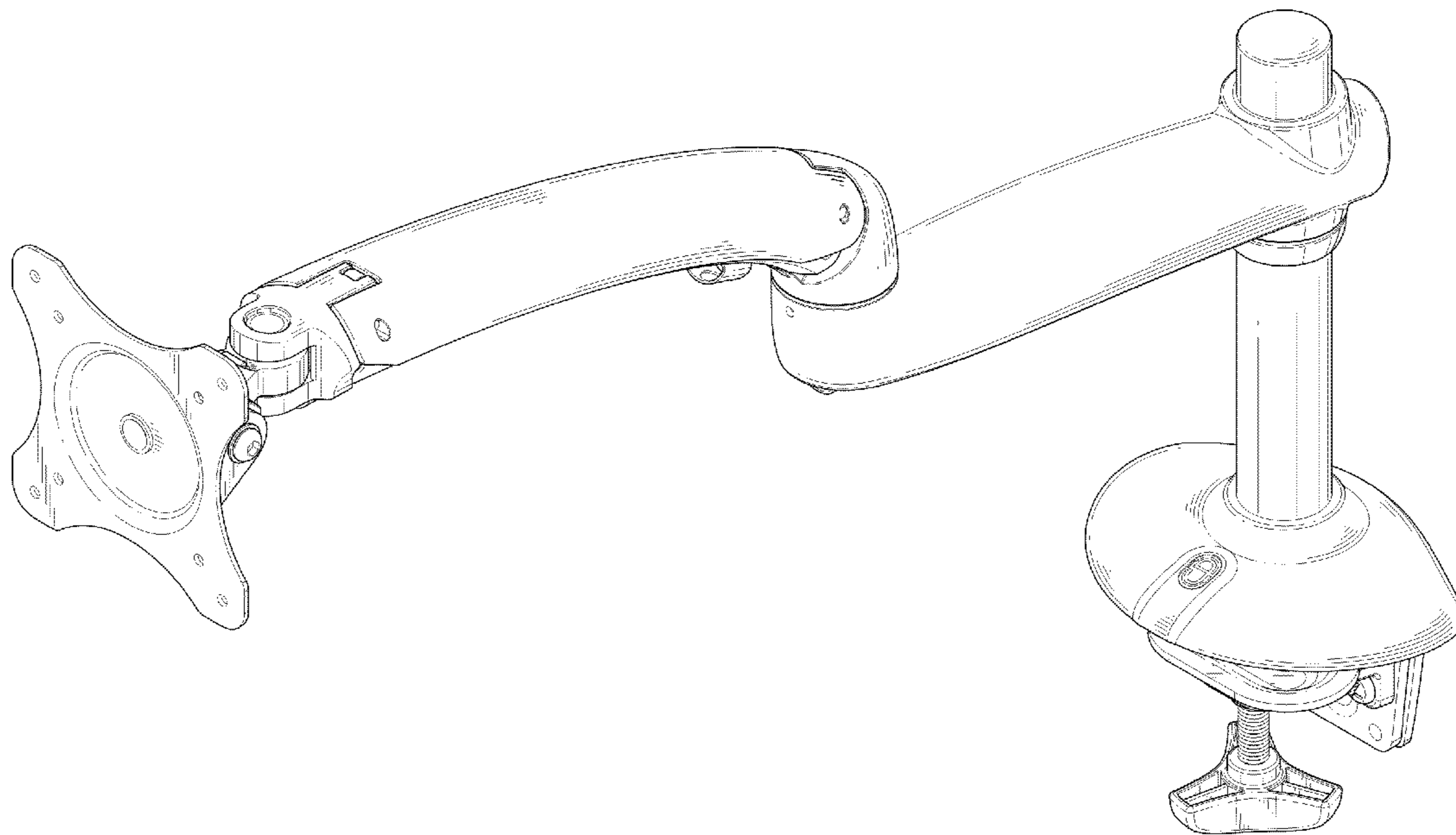
(57) **CLAIM**

The ornamental design for a monitor articulating mount, as shown and described.

DESCRIPTION

FIG. 1 is a perspective view of a monitor articulating mount showing my new design;
FIG. 2 is a front elevational view thereof;
FIG. 3 is a rear elevational view thereof;
FIG. 4 is a left side elevational view thereof;
FIG. 5 is a right side elevational view thereof;
FIG. 6 is a top plan view thereof;
FIG. 7 is a bottom plan view thereof; and,
FIG. 8 is a perspective view of an embodiment of a monitor articulating mount showing my new design.
The broken lines are shown for illustrative purposes only and form no part of the claimed design.

1 Claim, 7 Drawing Sheets



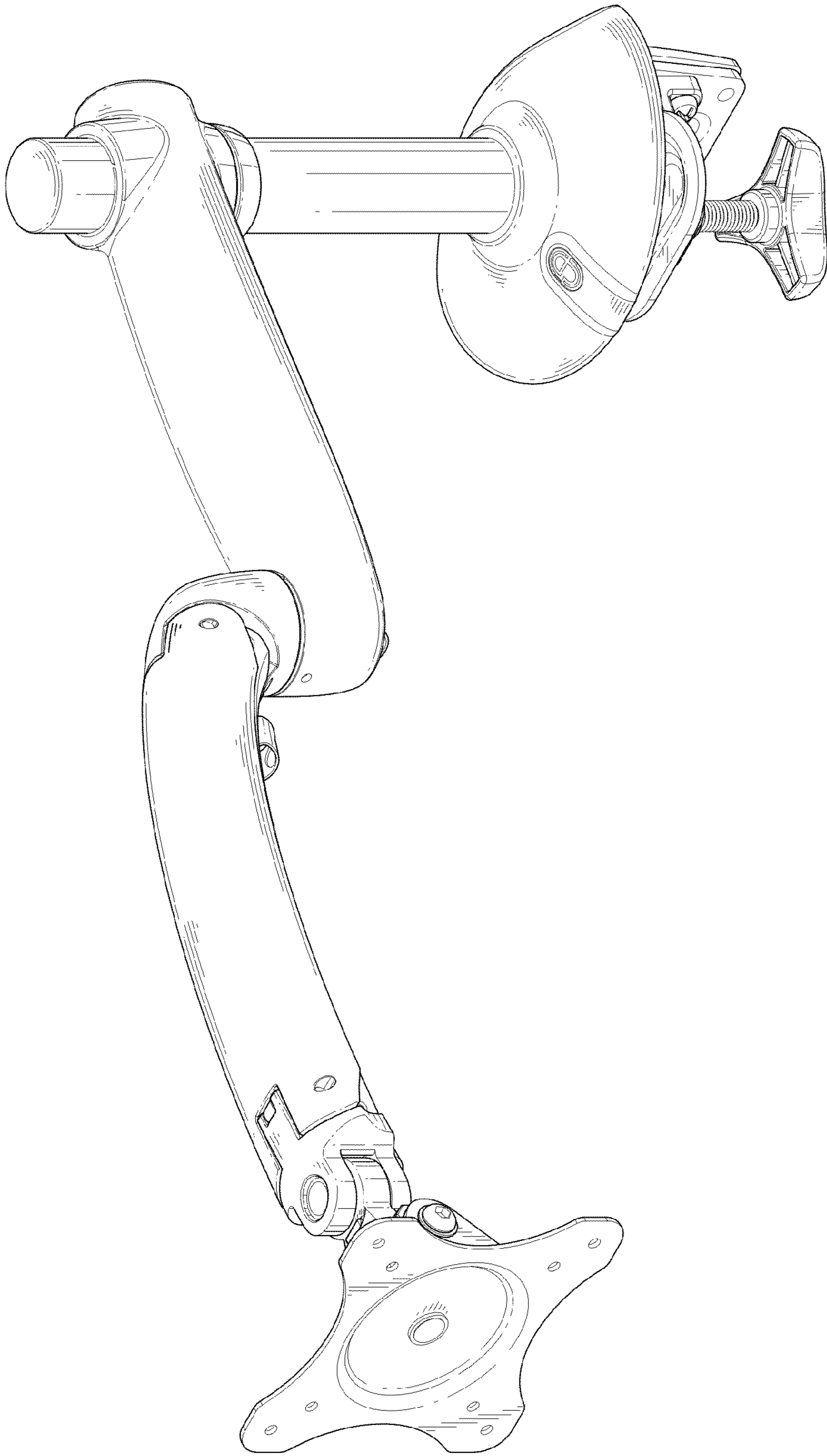


FIG. 1

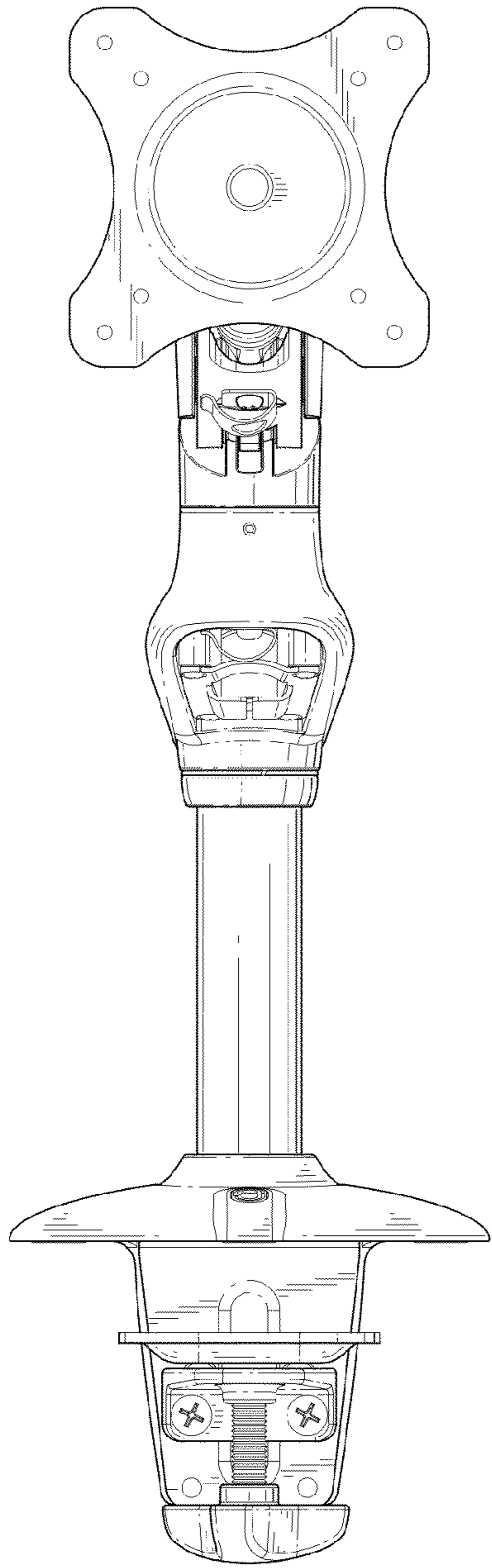


FIG. 2

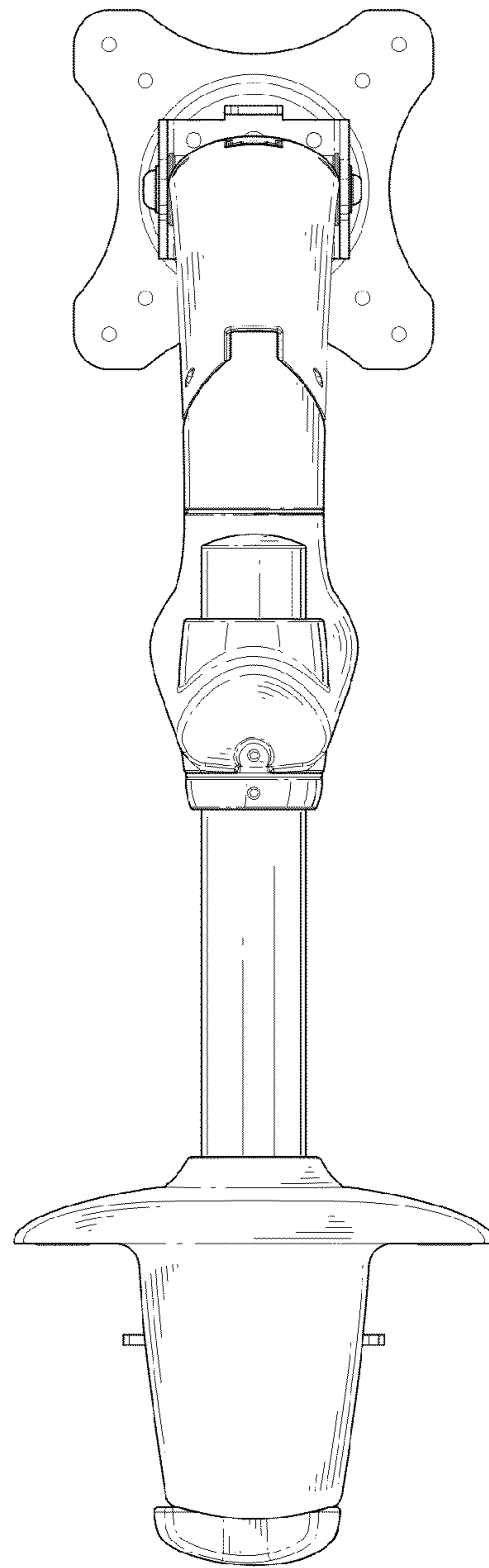


FIG. 3

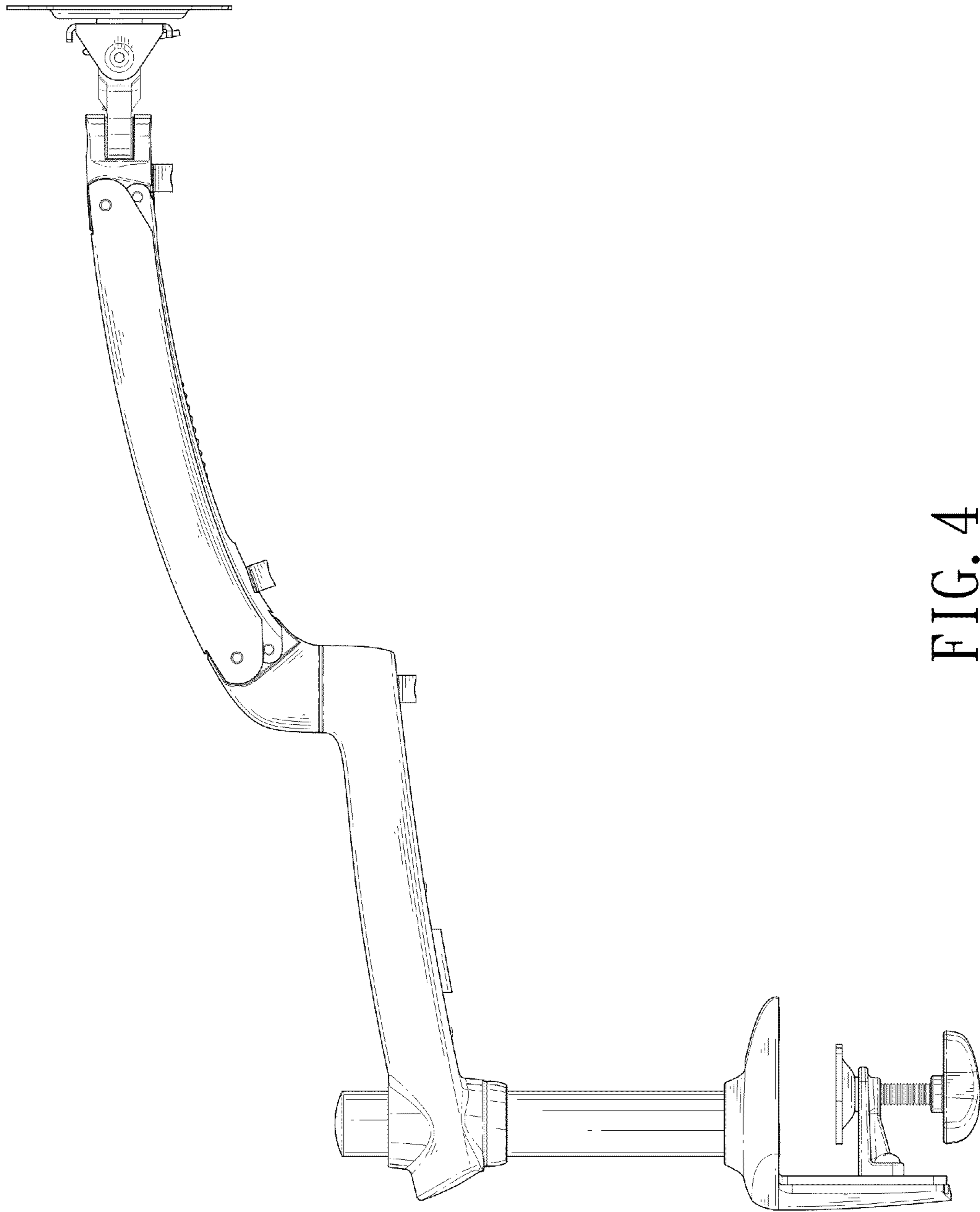


FIG. 4

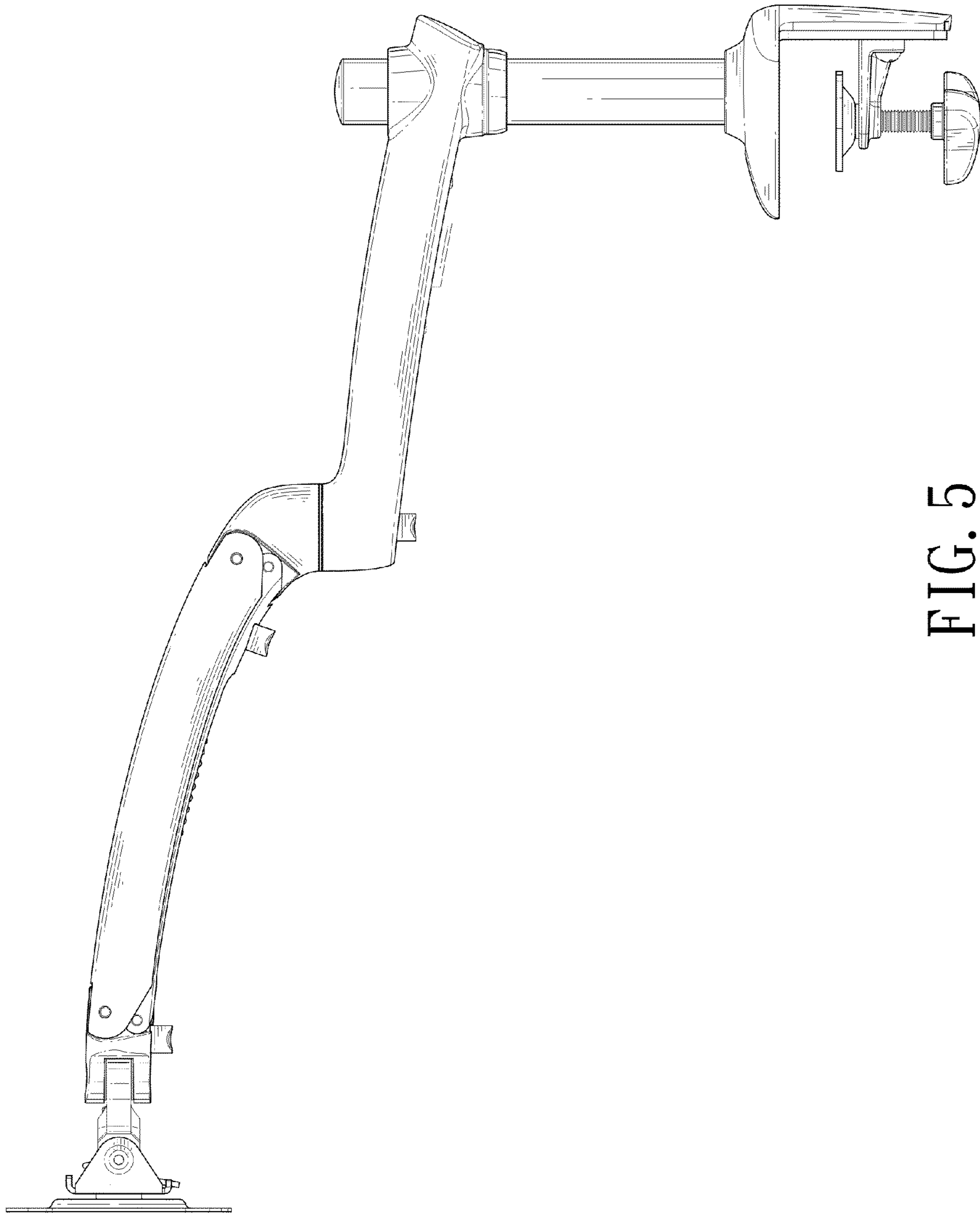


FIG. 5

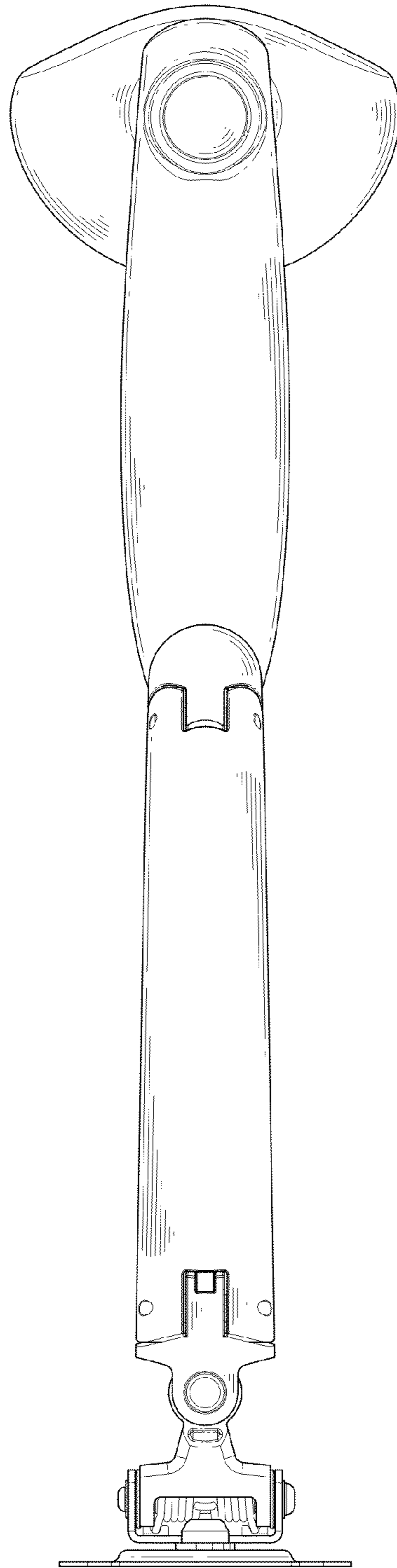


FIG. 6

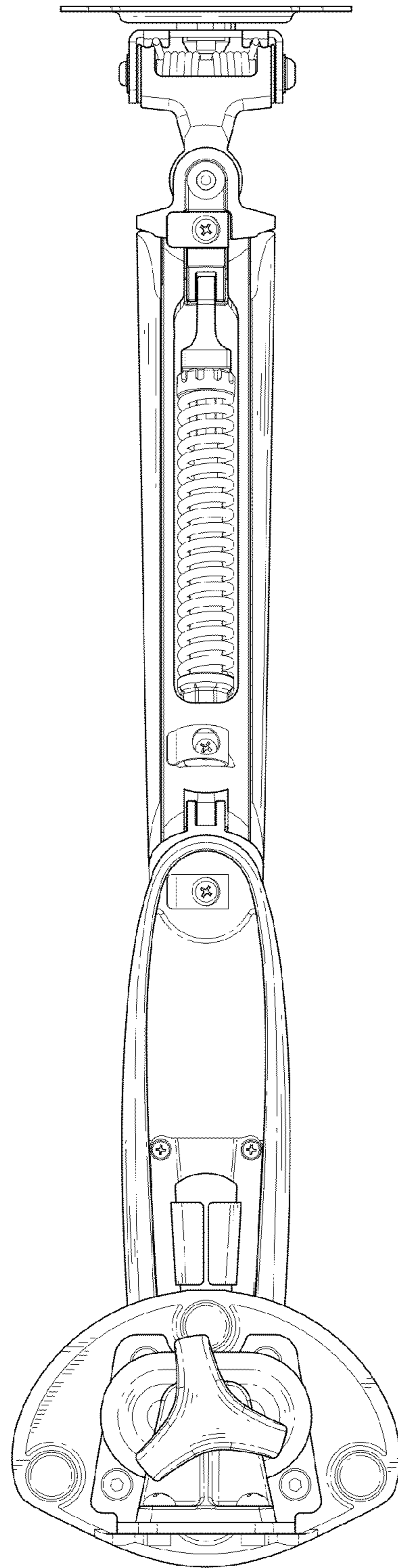


FIG. 7

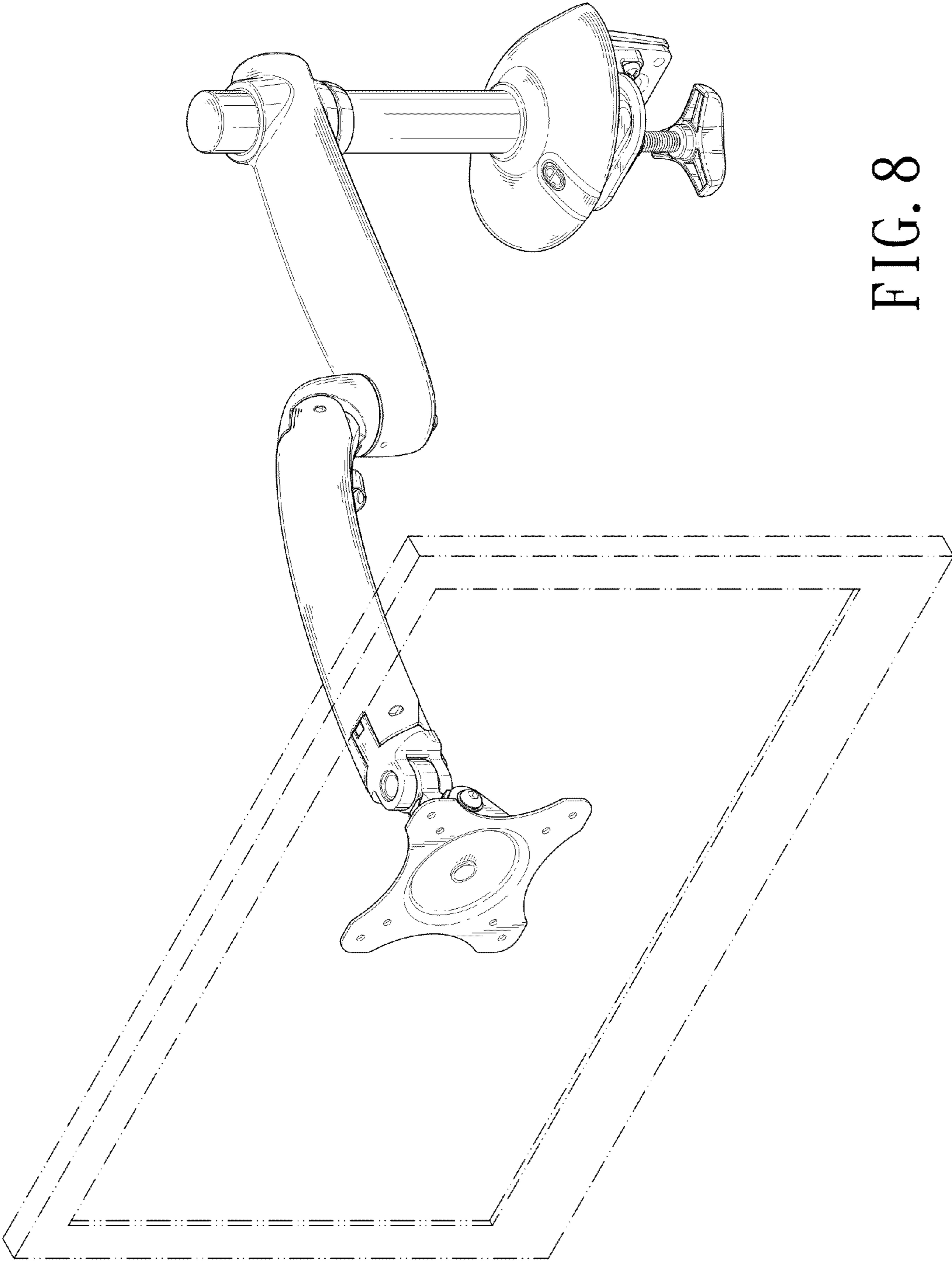


FIG. 8