



US00D679280S

(12) **United States Design Patent**
Lewis

(10) **Patent No.:** **US D679,280 S**
(45) **Date of Patent:** **** Apr. 2, 2013**

- (54) **COMPUTING DEVICE HOLDER**
- (76) Inventor: **Gordon Lewis**, Corona, CA (US)
- (**) Term: **14 Years**
- (21) Appl. No.: **29/427,707**
- (22) Filed: **Jul. 20, 2012**
- (51) **LOC (9) Cl.** **08-07**
- (52) **U.S. Cl.** **D14/447**
- (58) **Field of Classification Search** D14/447,
D14/432, 434, 433, 439, 440, 448, 451, 452,
D14/457, 460, 217, 239, 238.1, 250, 251,
D14/253, 203.8, 341, 336, 371, 372, 374,
D14/375, 376, 377, 378, 379, 392; D13/107,
D13/108; D3/218; D6/406.1, 406.3, 406.4,
D6/406.5, 406.6, 419, 420, 429, 396, 449,
D6/466, 467, 471; 361/679.02, 679.09, 679.19,
361/679.21, 679.22, 679.23, 679.26, 679.27,
361/679.3, 679.55, 679.56, 679.6; 248/917-924,
248/136, 150, 152, 153, 371, 166, 176.1,
248/176.3, 188.6, 676, 678, 441.1, 444.1,
248/447, 447.1, 447.2, 451, 454, 455, 456,
248/460, 463, 465.1

See application file for complete search history.

(56) **References Cited**

U.S. PATENT DOCUMENTS

D34,353	S	*	4/1901	Daniels	D6/310
2,461,374	A	*	2/1949	Custer	248/146
3,099,101	A	*	7/1963	Burris	248/447.2
4,979,759	A	*	12/1990	Solvay	280/293
D367,000	S	*	2/1996	Martin	D8/370
D390,209	S	*	2/1998	Dials et al.	D14/451
D457,351	S	*	5/2002	Zerman et al.	D6/462
D495,337	S	*	8/2004	Zerman et al.	D14/447
D539,806	S	*	4/2007	Yu et al.	D14/447
D590,833	S	*	4/2009	O'Connor	D14/447

D620,012	S	*	7/2010	Chen et al.	D14/451
D620,941	S	*	8/2010	Stacey et al.	D14/447
D637,187	S	*	5/2011	Burns	D14/253
D658,189	S	*	4/2012	Zhao et al.	D14/447
D659,147	S	*	5/2012	Hu et al.	D14/447
8,201,687	B2	*	6/2012	Zeliff et al.	206/320
2003/0183738	A1	*	10/2003	Weingartner	248/453
2012/0187259	A1	*	7/2012	Cheng	248/188.6

* cited by examiner

Primary Examiner — Angela J Lee

(74) *Attorney, Agent, or Firm* — K&L Gates LLP; Louis C. Cullman; Brian J. Novak

(57) **CLAIM**

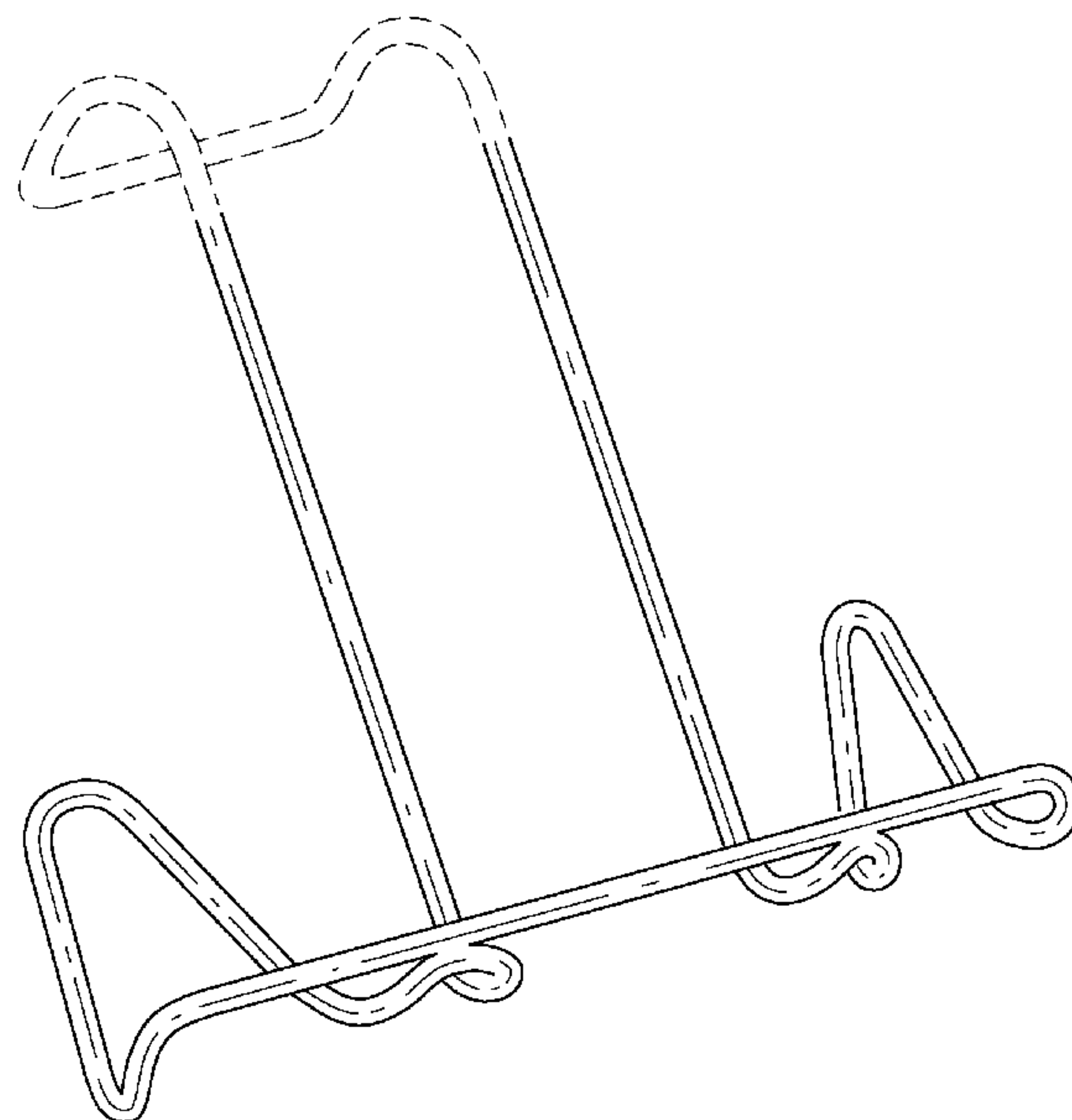
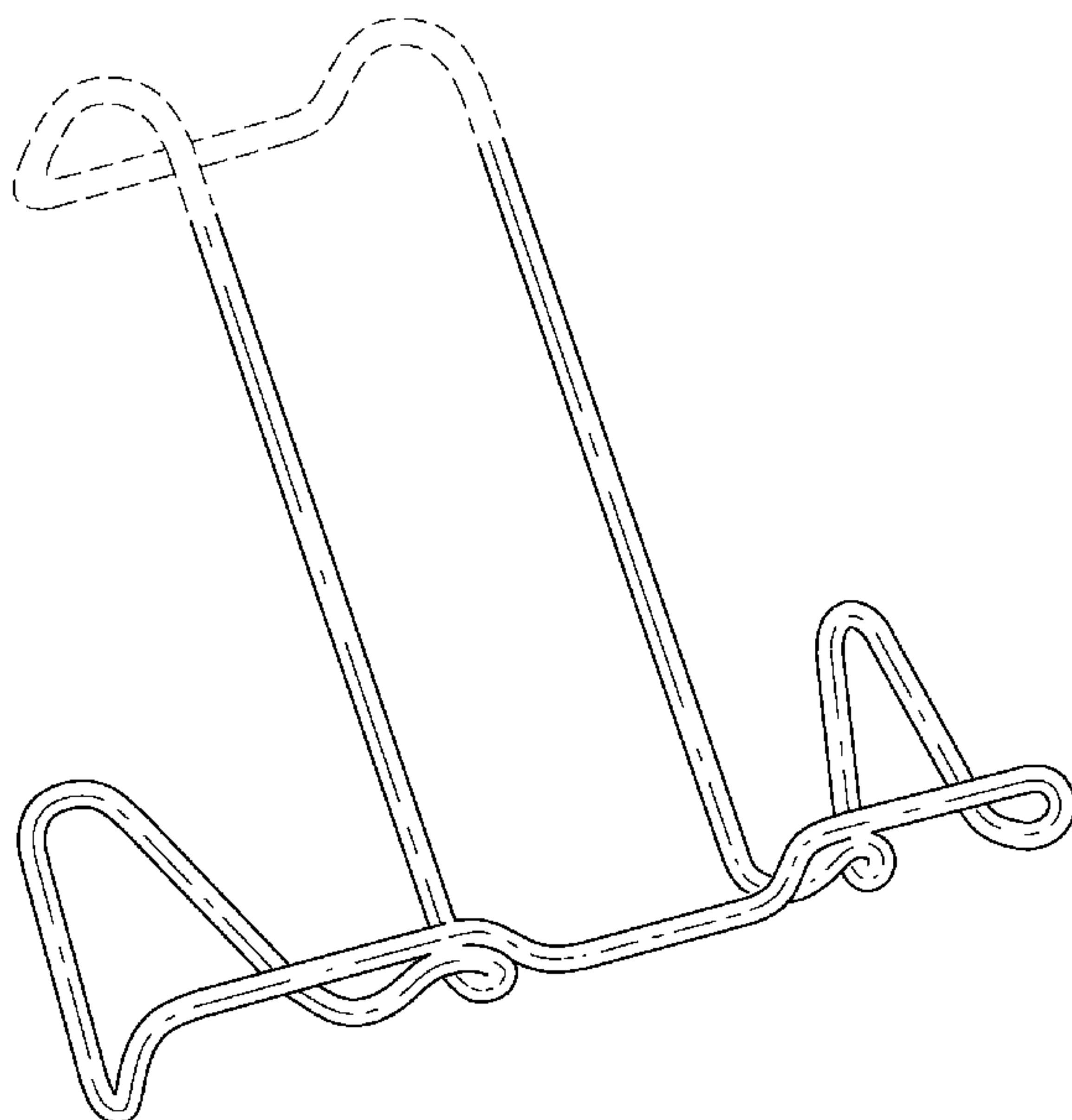
The ornamental design for a computing device holder, as shown and described.

DESCRIPTION

FIG. 1 is a perspective view of a first embodiment of a computing device holder of my design;
 FIG. 2 is a front view thereof;
 FIG. 3 is a side view thereof;
 FIG. 4 is a back view thereof;
 FIG. 5 is a top view thereof;
 FIG. 6 is a bottom view thereof;
 FIG. 7 is a perspective view of a second embodiment of a computing device holder of my design;
 FIG. 8 is a front view thereof;
 FIG. 9 is a side view thereof;
 FIG. 10 is a back view thereof;
 FIG. 11 is a top view thereof; and,
 FIG. 12 is a bottom view thereof.

The broken lines shown in the drawings represent portions of the computing device holder that form no part of the claimed design.

1 Claim, 8 Drawing Sheets



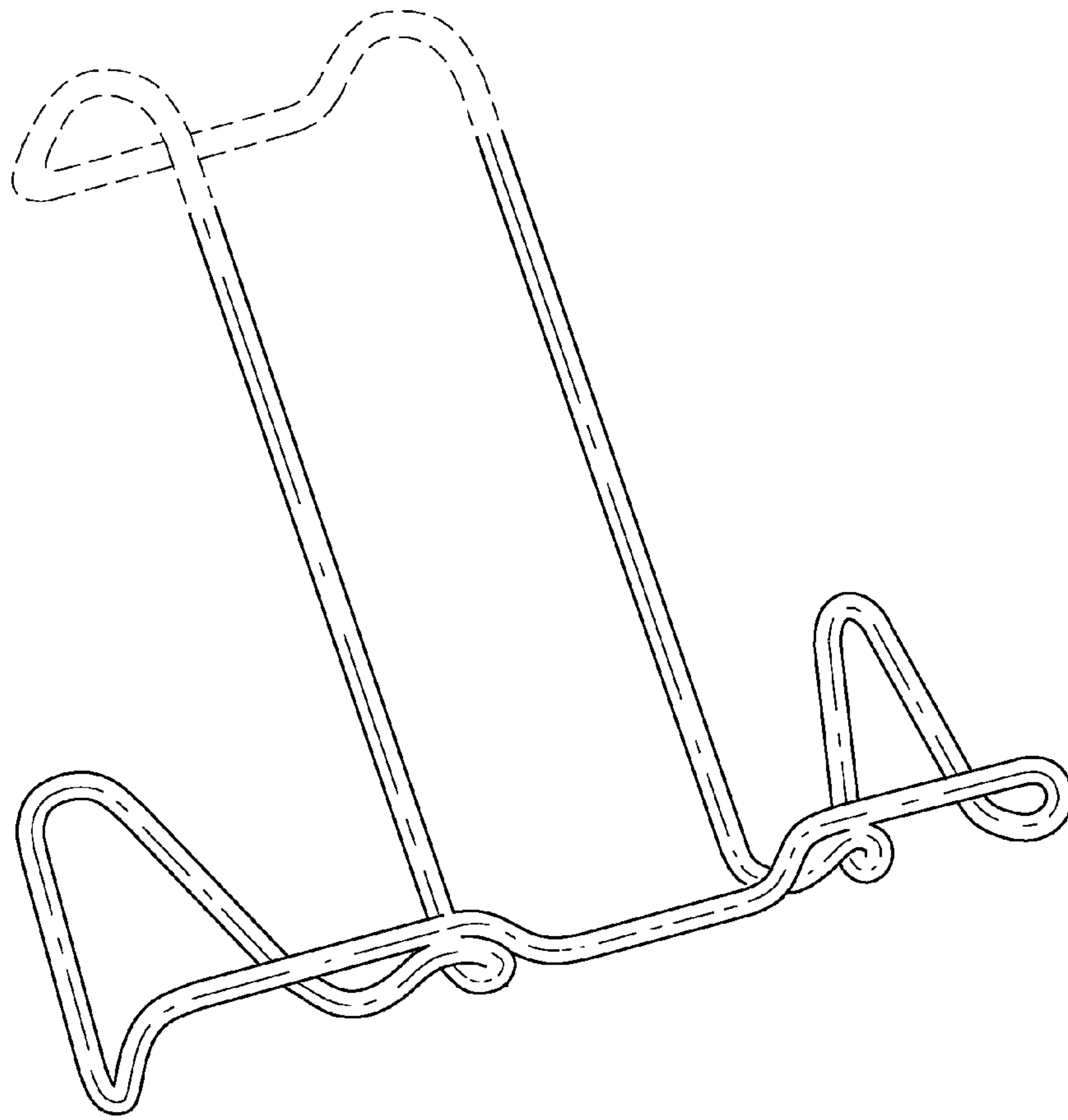


FIG. 1

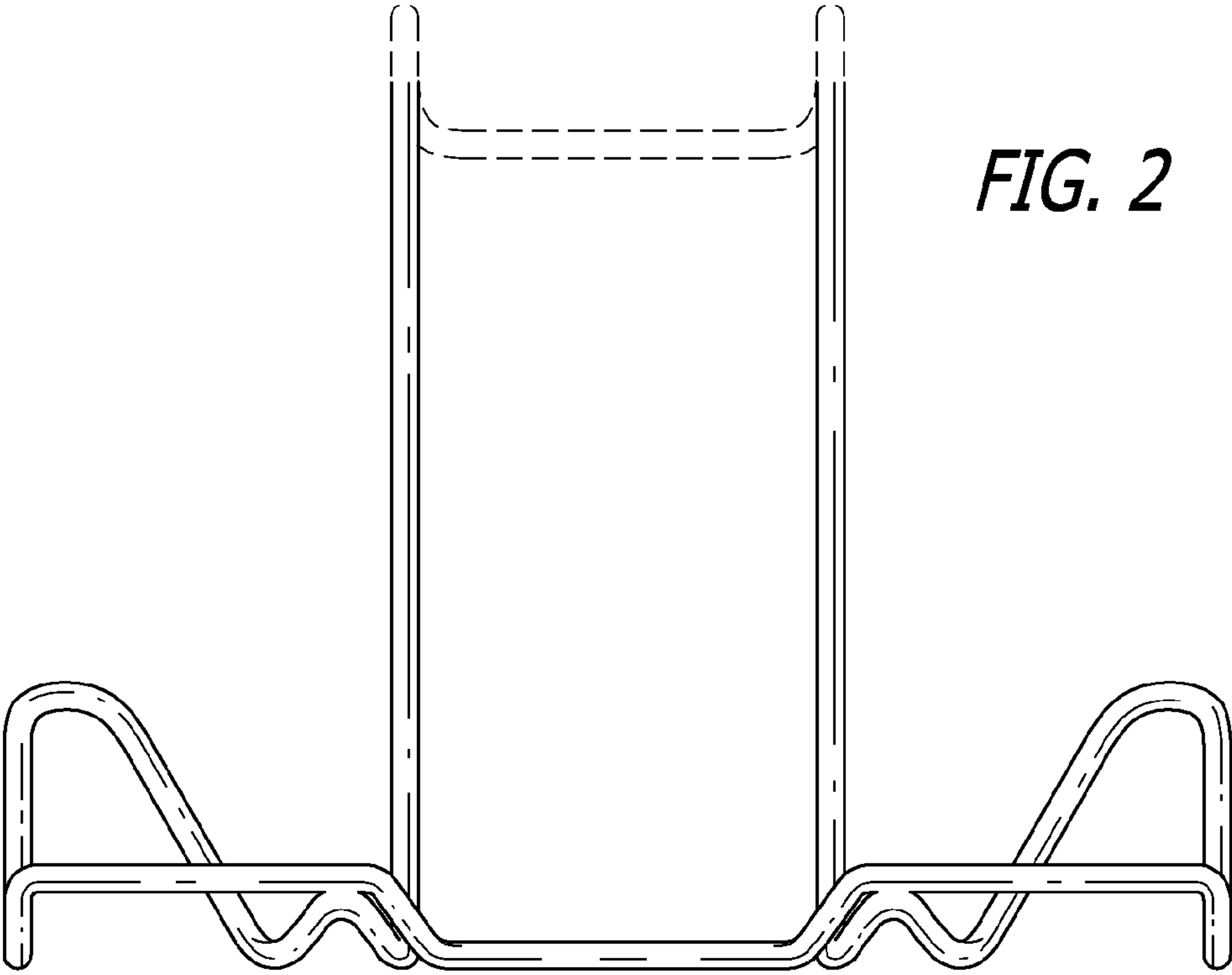


FIG. 2

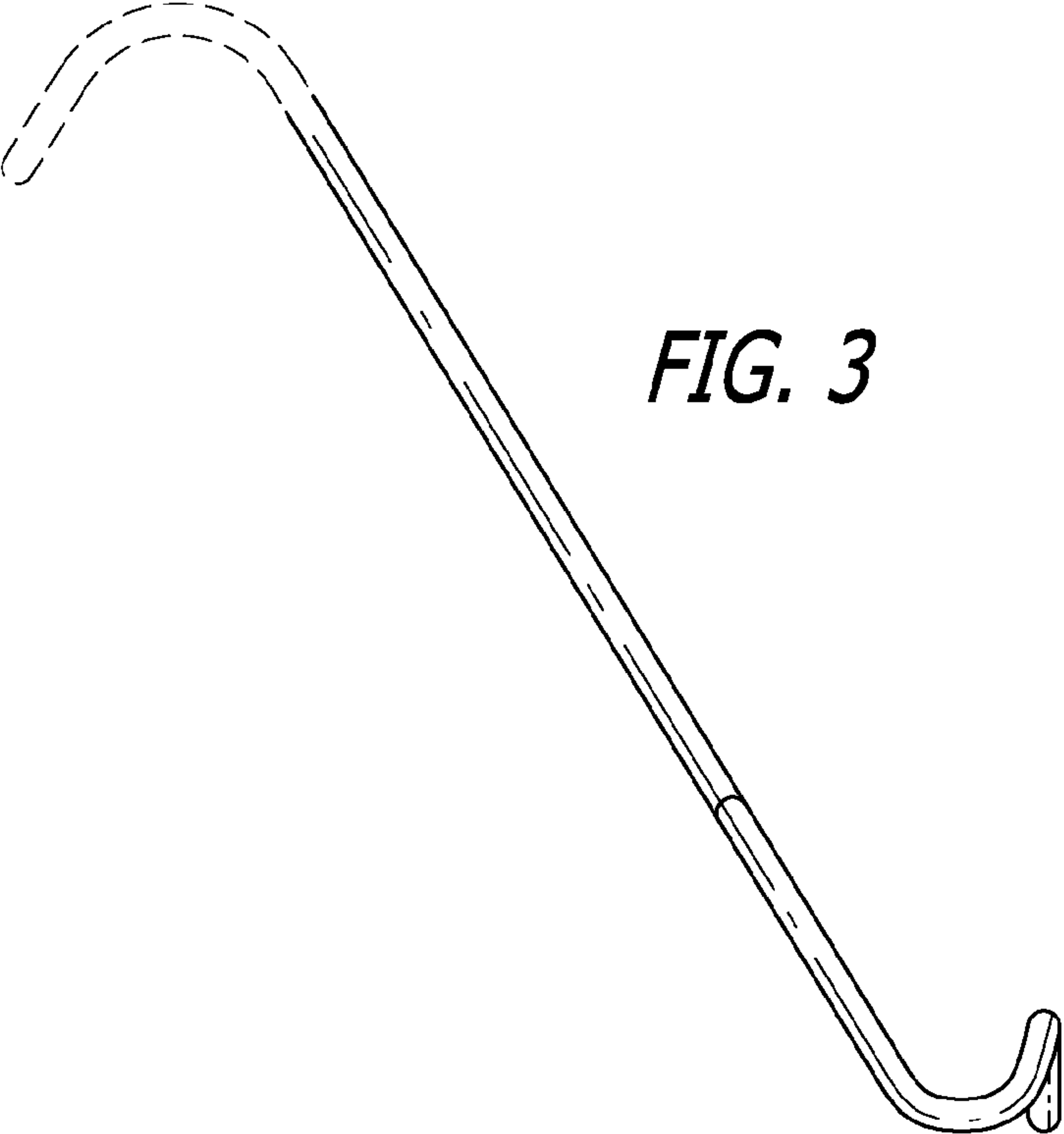


FIG. 3

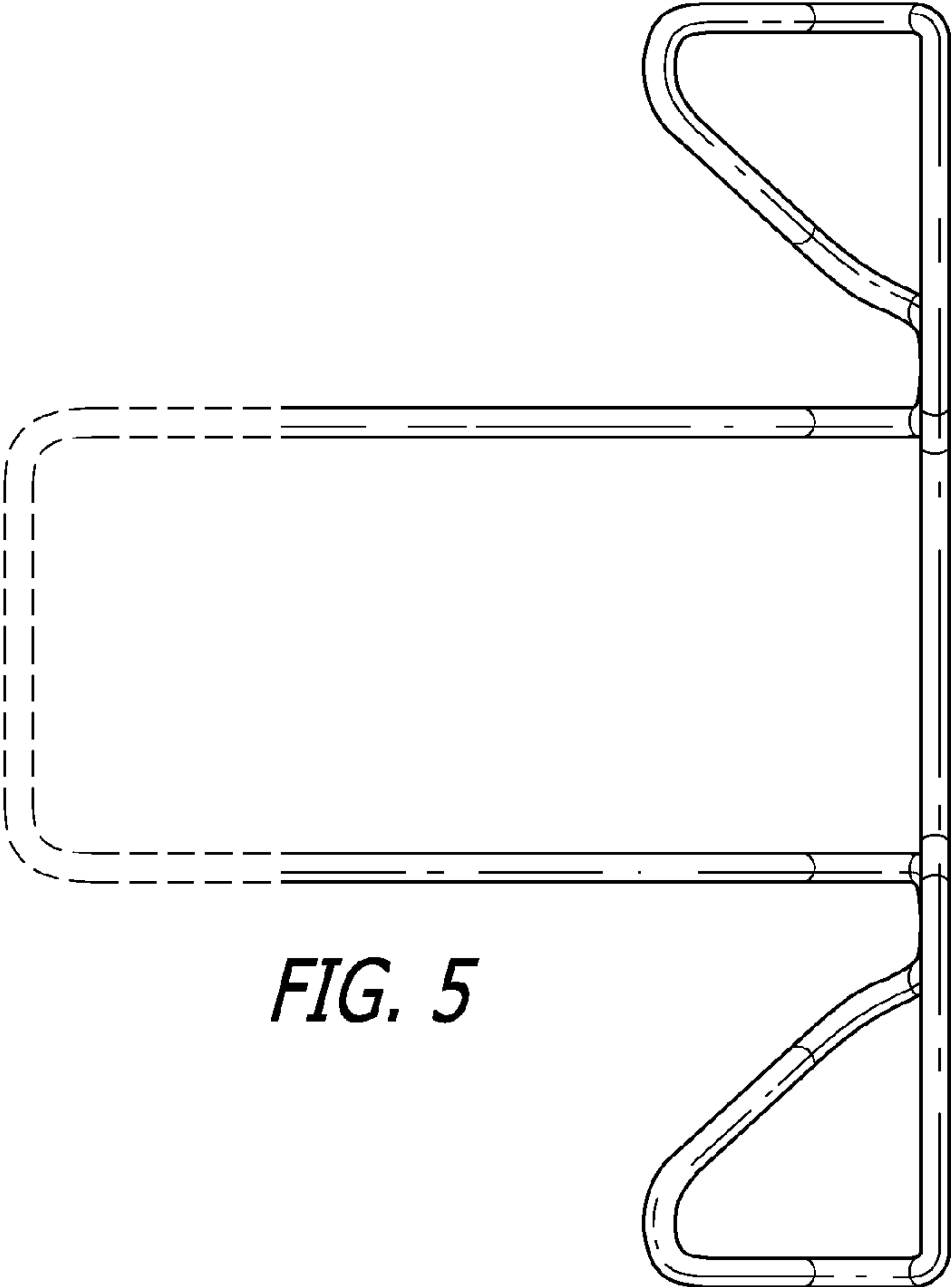
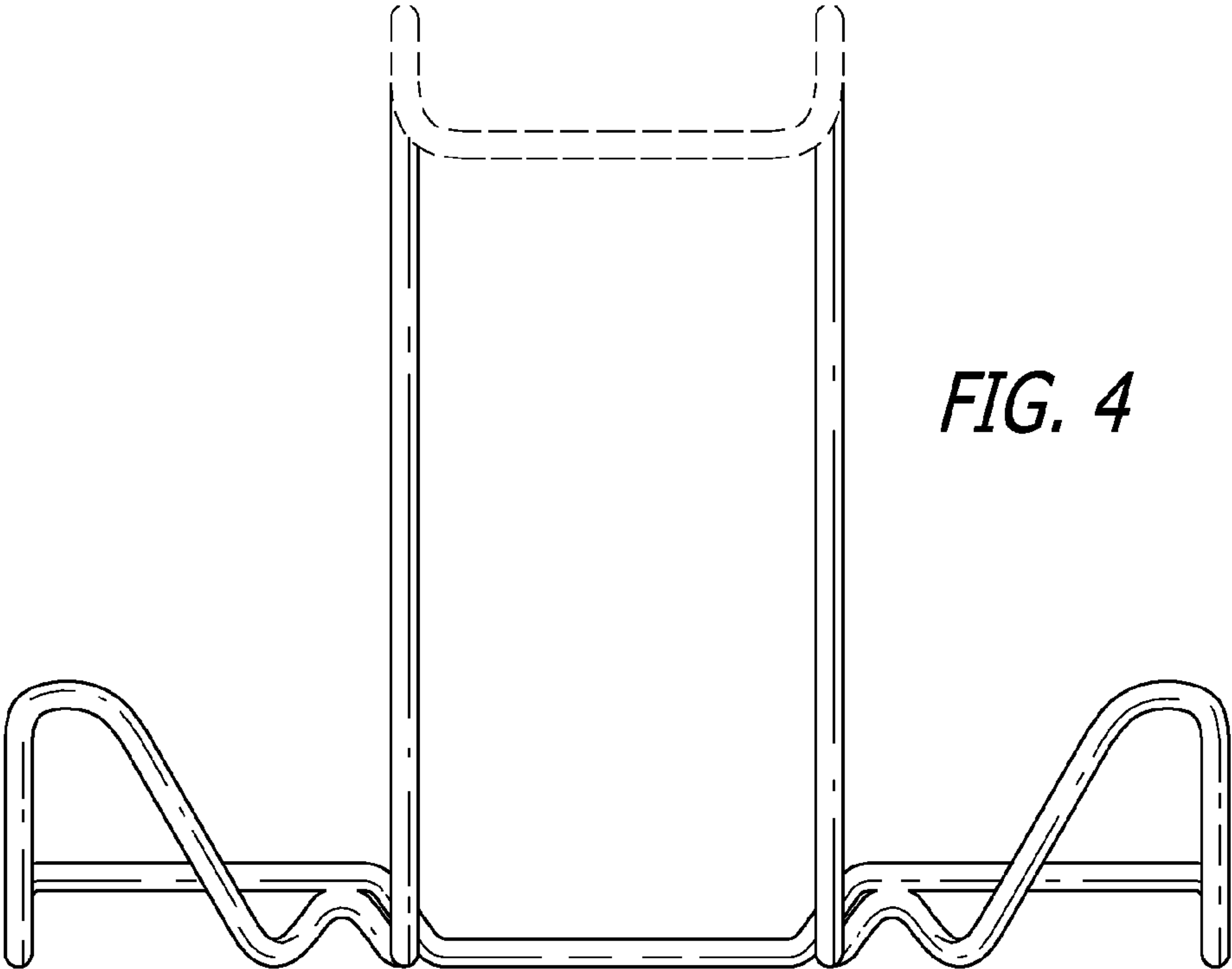
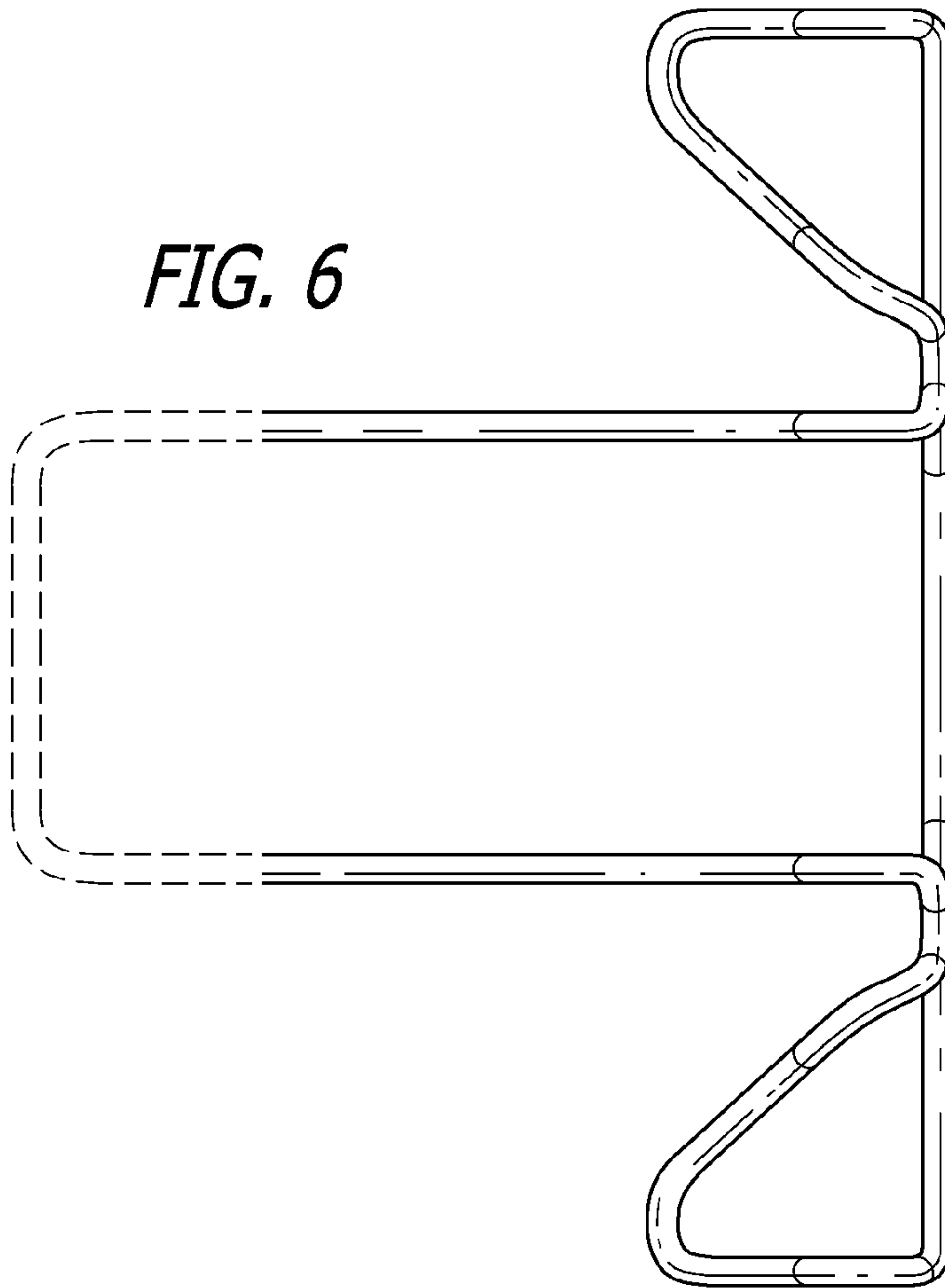


FIG. 6



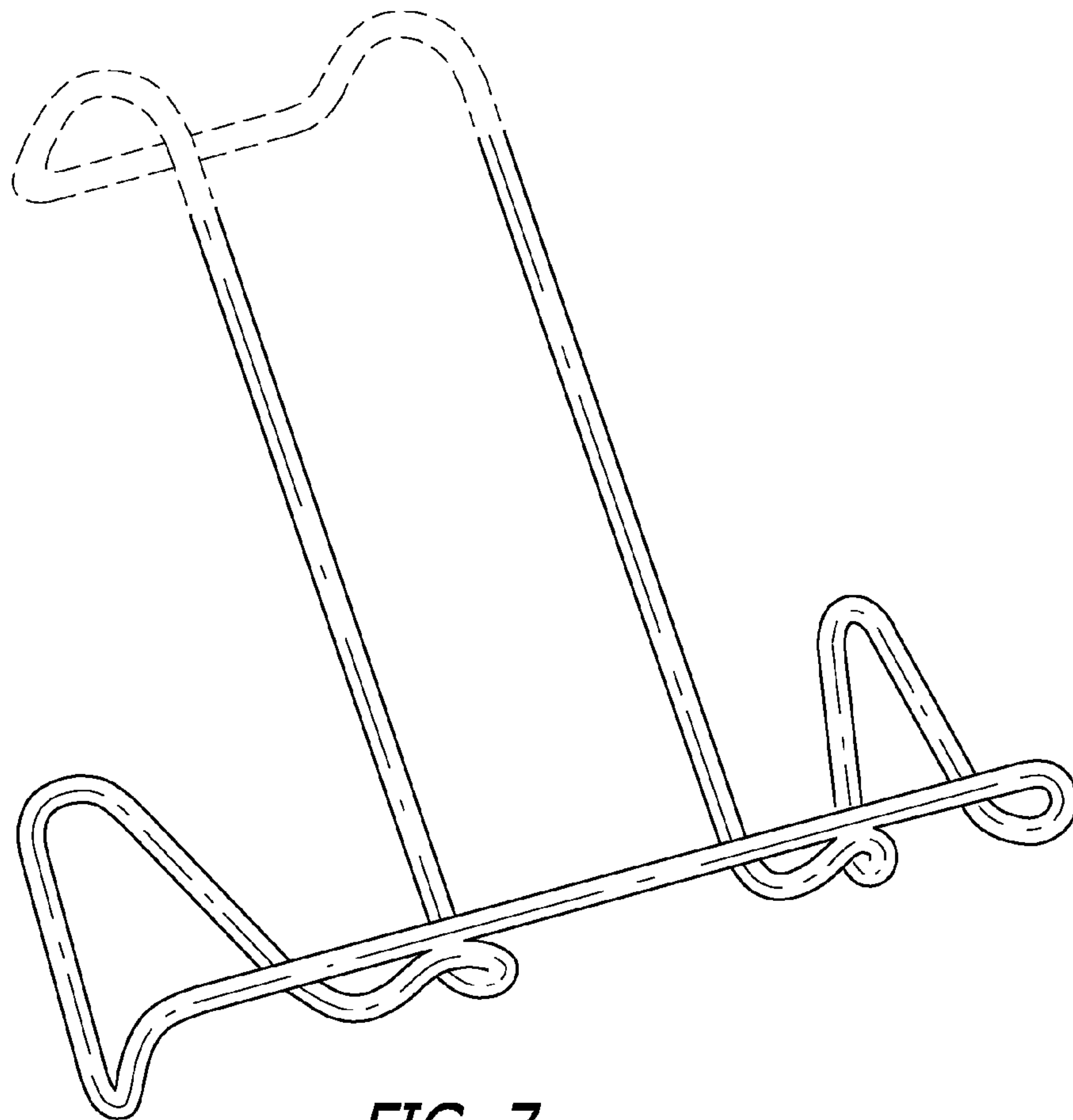


FIG. 7

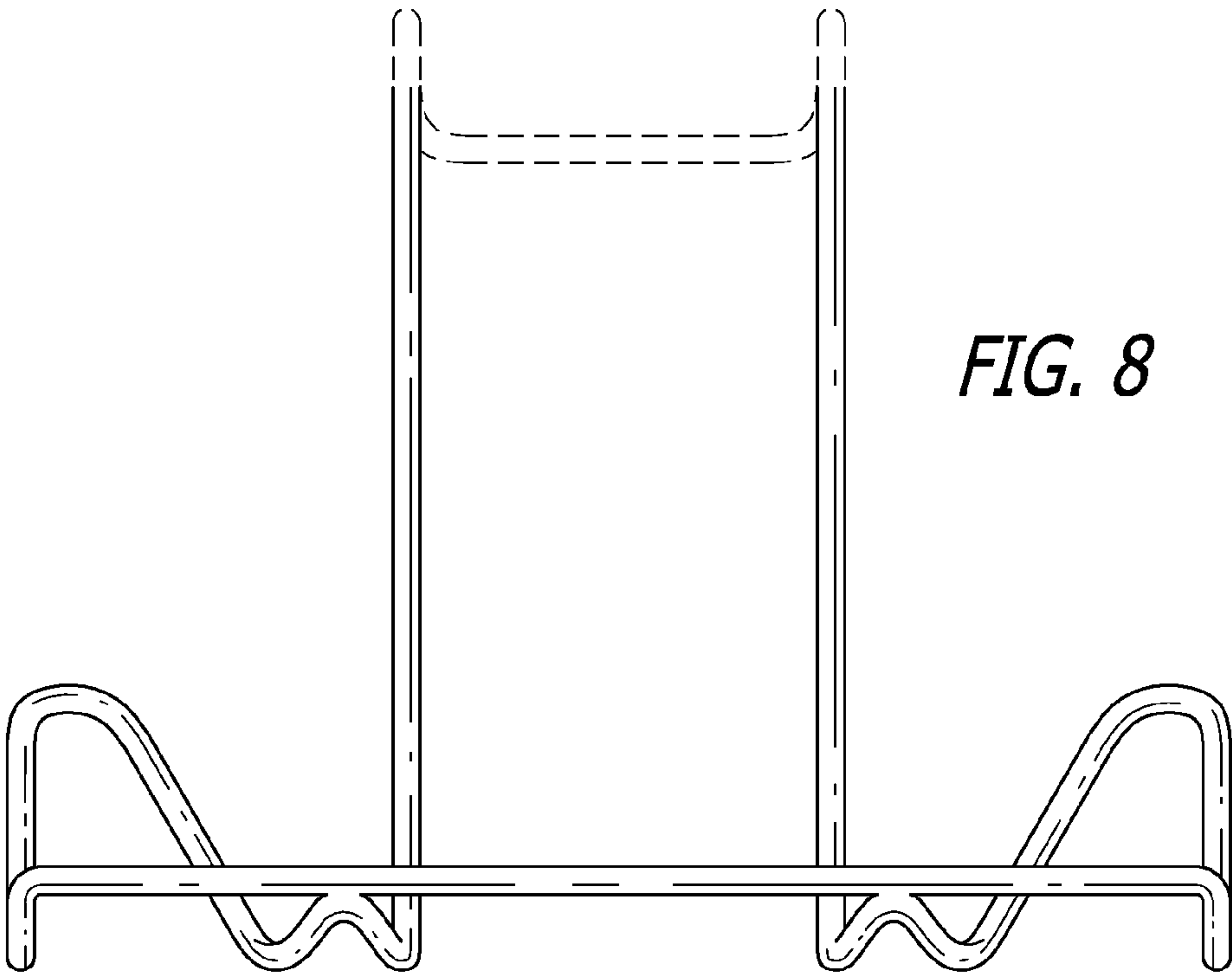


FIG. 8

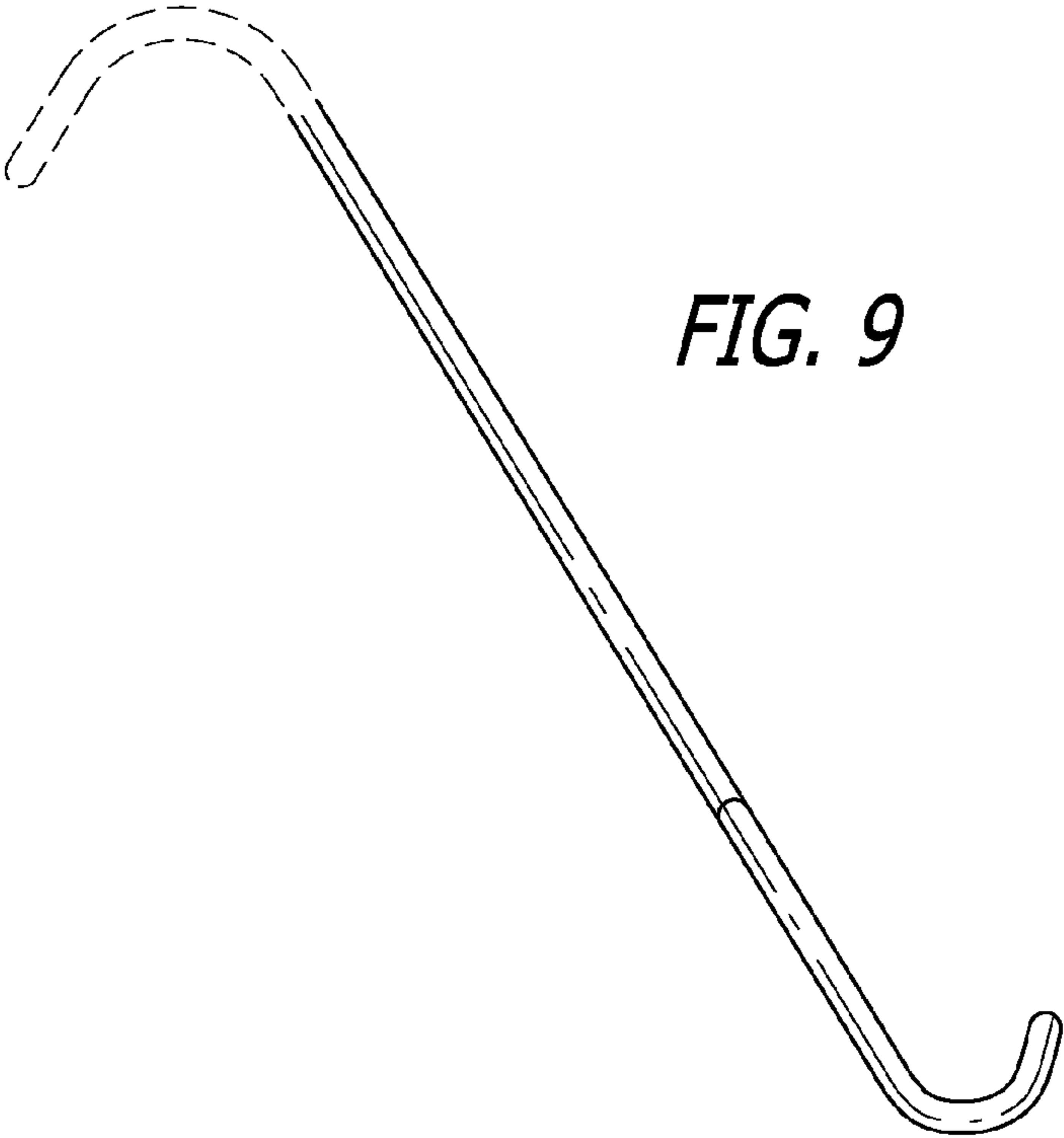


FIG. 9

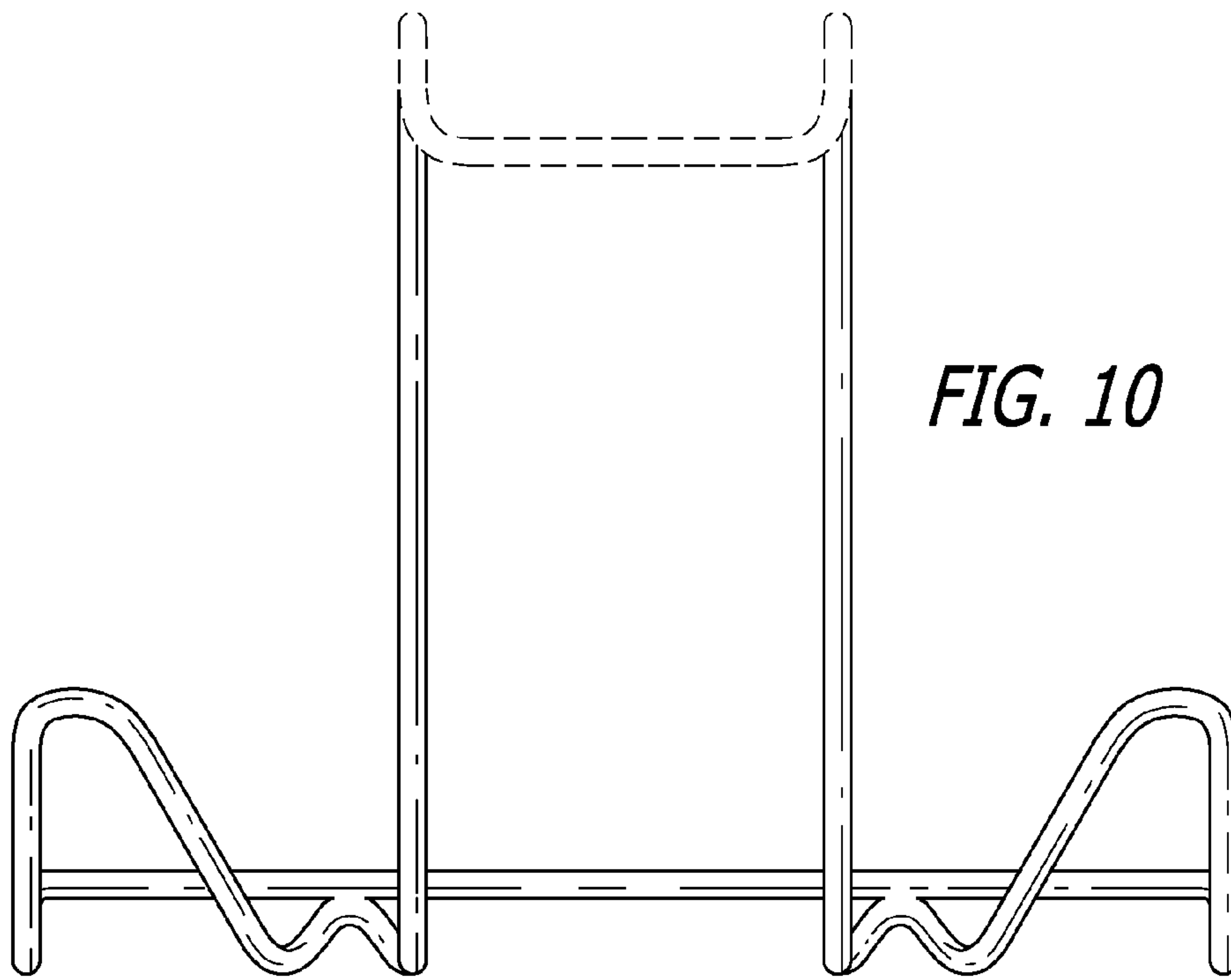


FIG. 10

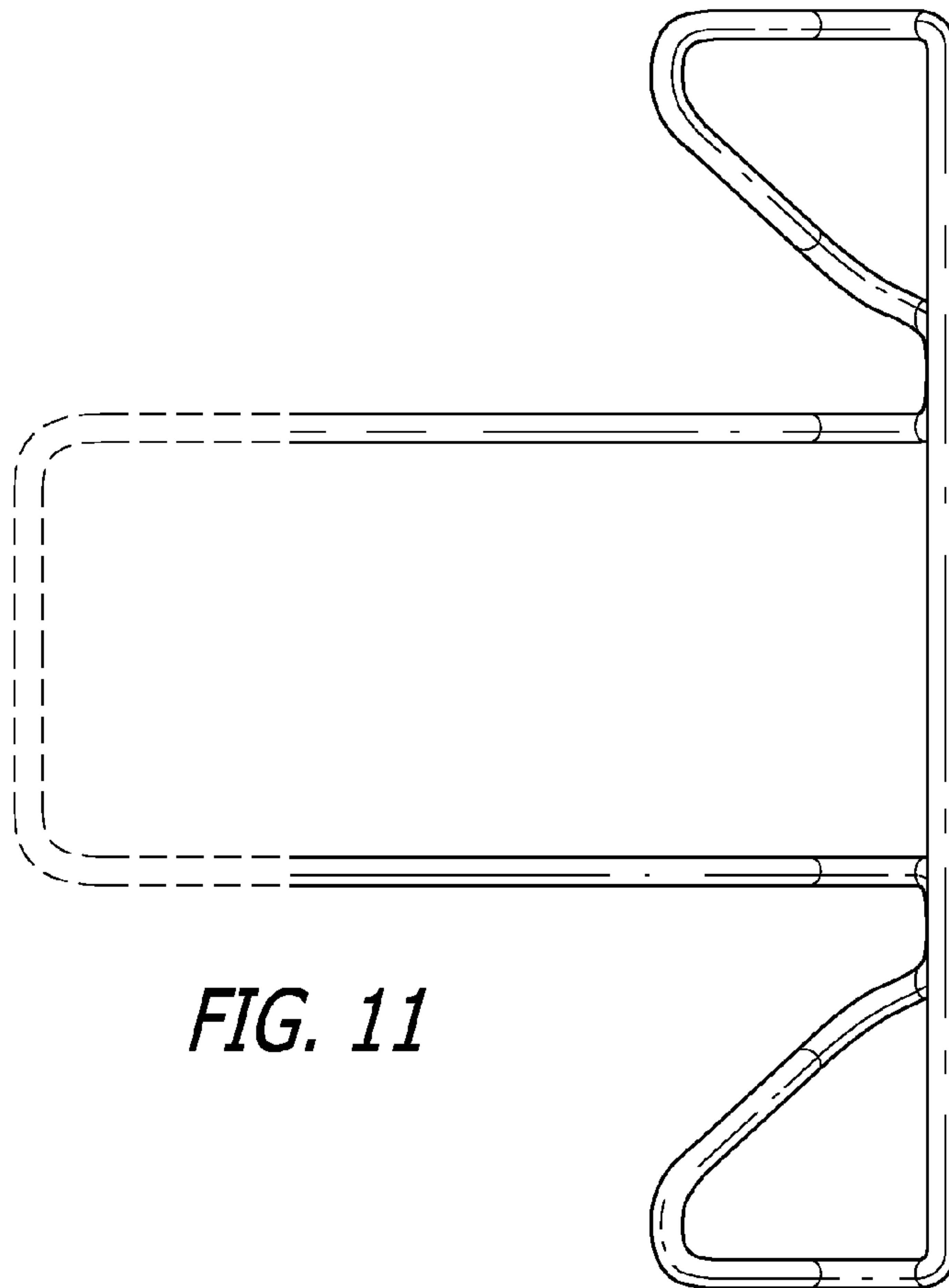


FIG. 11

FIG. 12

