



US00D679273S

(12) **United States Design Patent**
Iwata et al.

(10) **Patent No.:** **US D679,273 S**
(45) **Date of Patent:** **** Apr. 2, 2013**

(54) **PERSONAL DIGITAL ASSISTANT**

(75) Inventors: **Akihisa Iwata**, Kawasaki (JP); **Yohei Ikegami**, Kawasaki (JP)

(73) Assignee: **NEC Infrontia Corporation**,
Kawasaki-Shi, Kanagawa (JP)

(**) Term: **14 Years**

(21) Appl. No.: **29/416,122**

(22) Filed: **Mar. 19, 2012**

(30) **Foreign Application Priority Data**

Feb. 8, 2012 (JP) 2012-2595

(51) **LOC (9) Cl.** **14-02**

(52) **U.S. Cl.** **D14/336**

(58) **Field of Classification Search** D14/371-376,
D14/125-129, 336, 337, 341, 331; D6/308,
D6/311; 341/12; 345/104, 156, 173, 174,
345/901-905; 348/180, 184, 325, 739; 361/679.08,
361/679.23; 349/1, 2, 11, 58; 248/917-924;
D19/59, 60

See application file for complete search history.

(56) **References Cited**

U.S. PATENT DOCUMENTS

D536,337 S *	2/2007	Chuang	D14/336
D569,864 S *	5/2008	Chen	D14/337
D605,647 S *	12/2009	Chern et al.	D14/336
D608,781 S *	1/2010	Wada	D14/371

* cited by examiner

Primary Examiner — Freda S Nunn

(74) *Attorney, Agent, or Firm* — Buchanan Ingersoll & Rooney PC

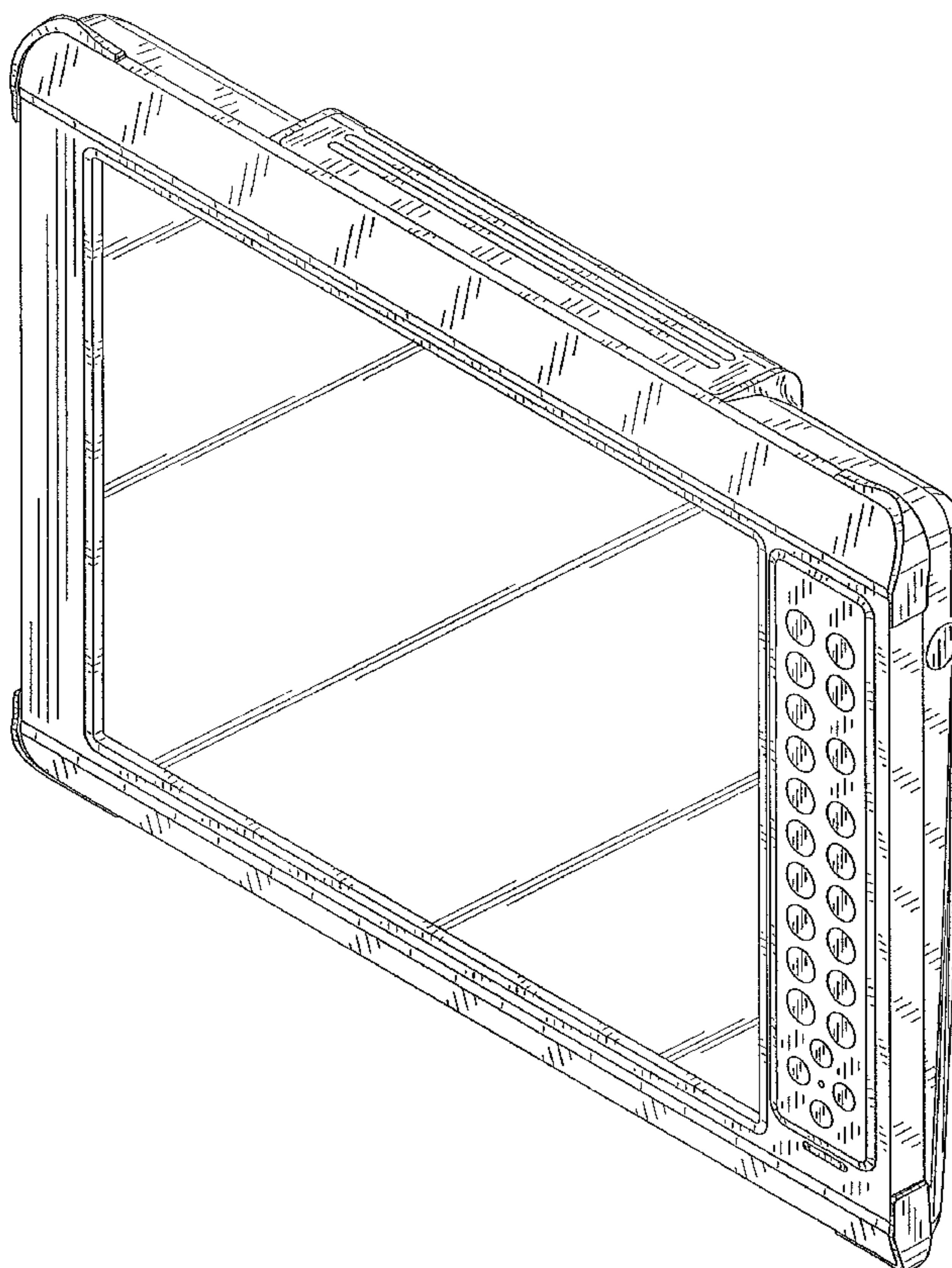
(57) **CLAIM**

The ornamental design for a personal digital assistant, as shown and described.

DESCRIPTION

FIG. 1 is a front, right side, top perspective view of a personal digital assistant showing our new design; FIG. 2 is a front elevational view thereof; FIG. 3 is a rear elevational view thereof; FIG. 4 is a left side elevational view thereof; FIG. 5 is a right side elevational view thereof; FIG. 6 is a top plan view thereof; and, FIG. 7 is a bottom plan view thereof.

1 Claim, 6 Drawing Sheets



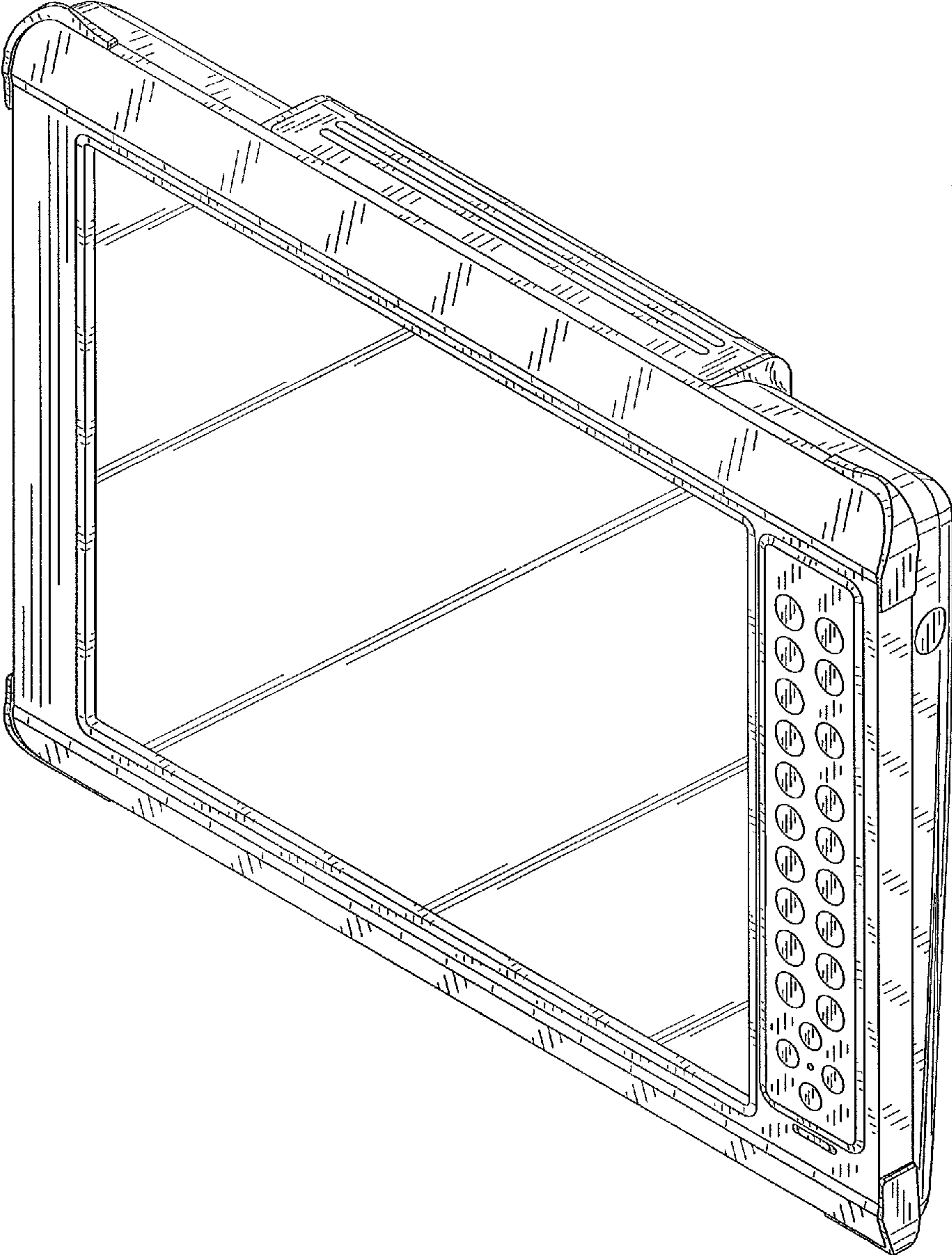


FIG. 1

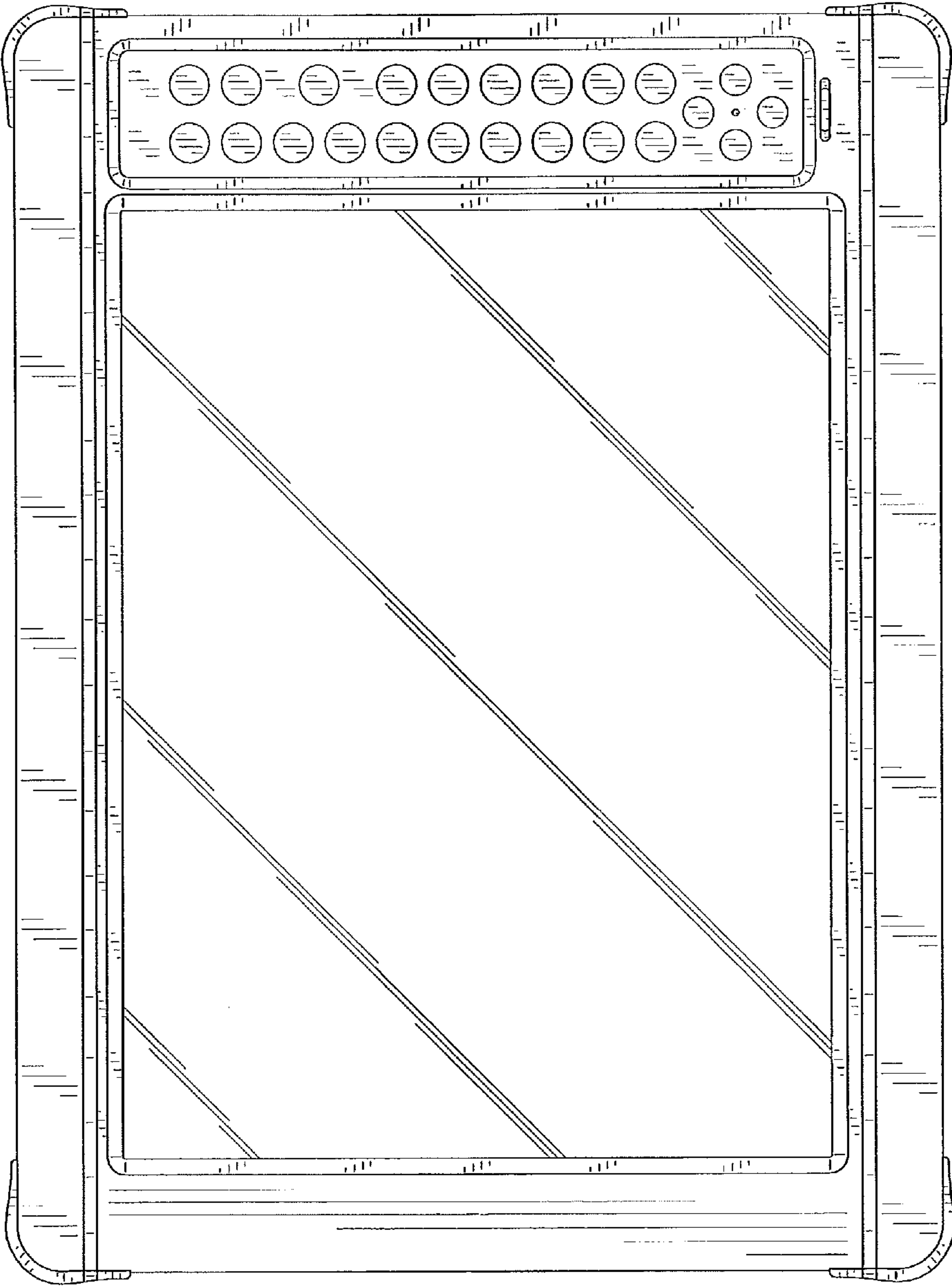


FIG. 2

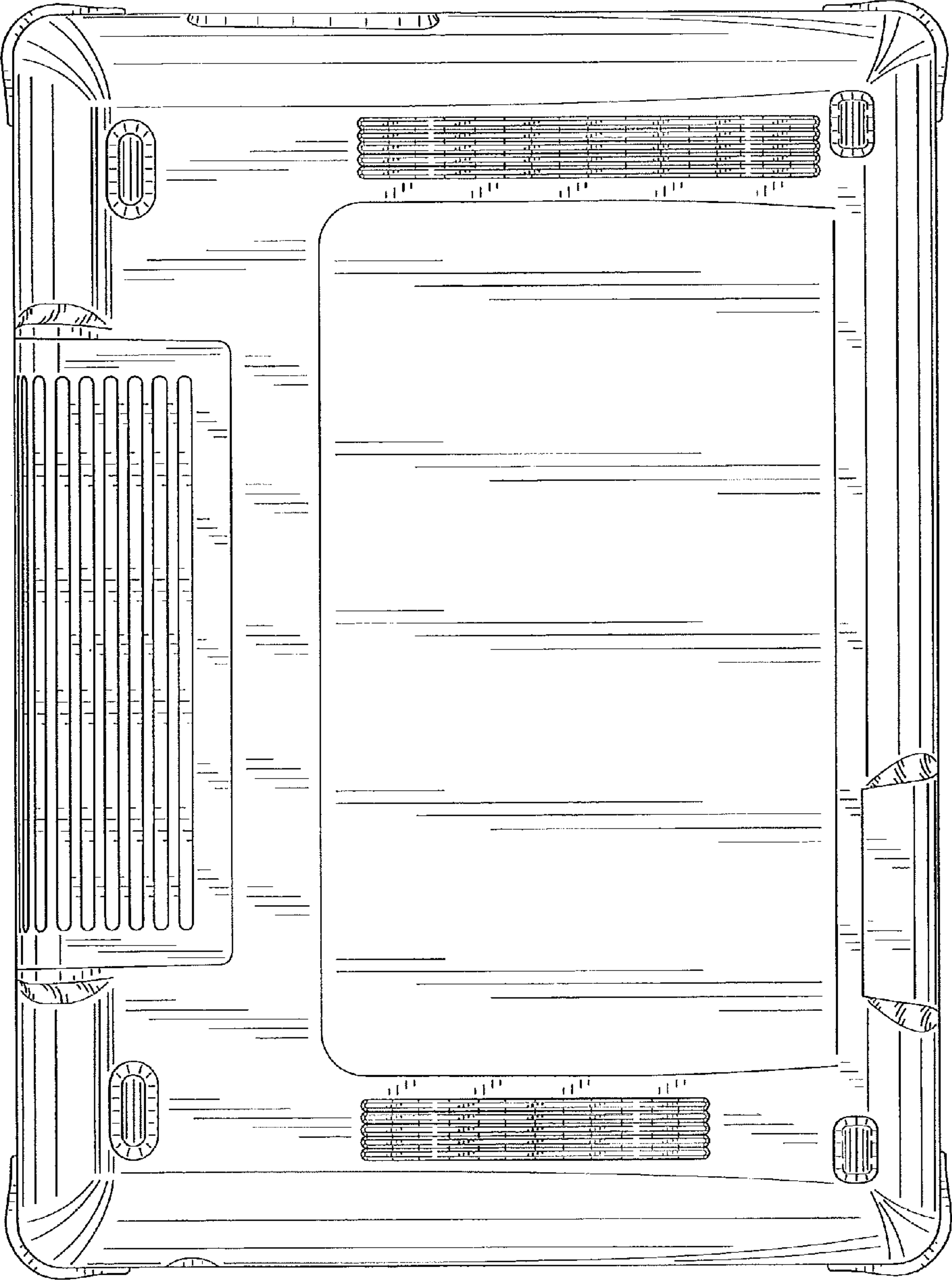


FIG. 3

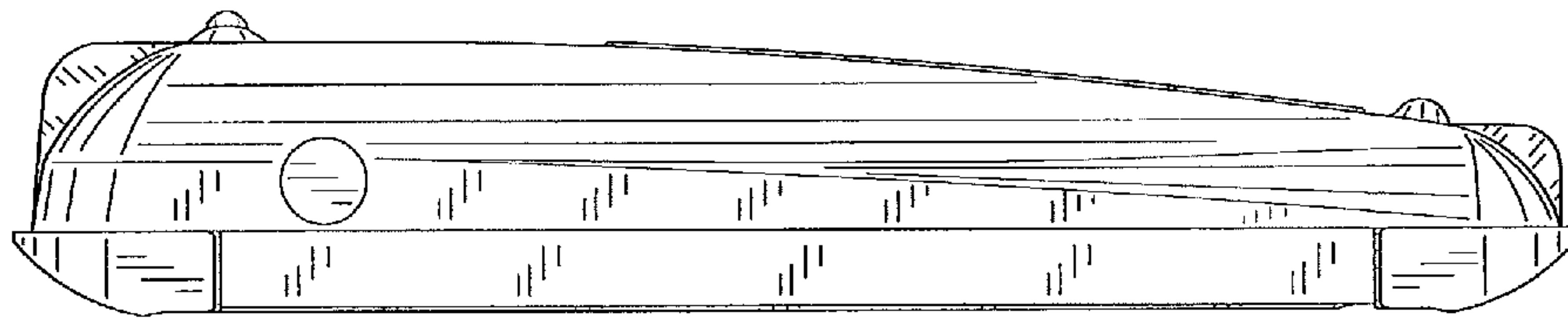


FIG. 5

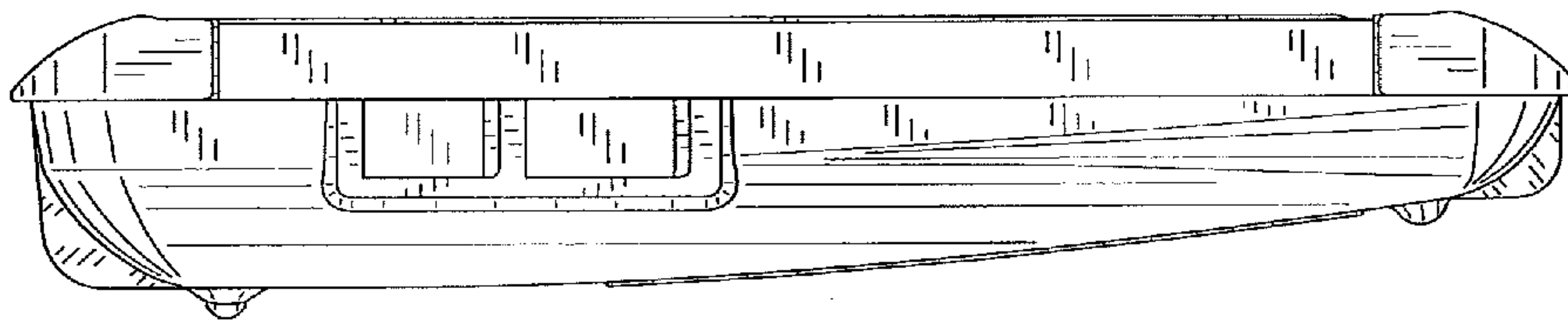


FIG. 4

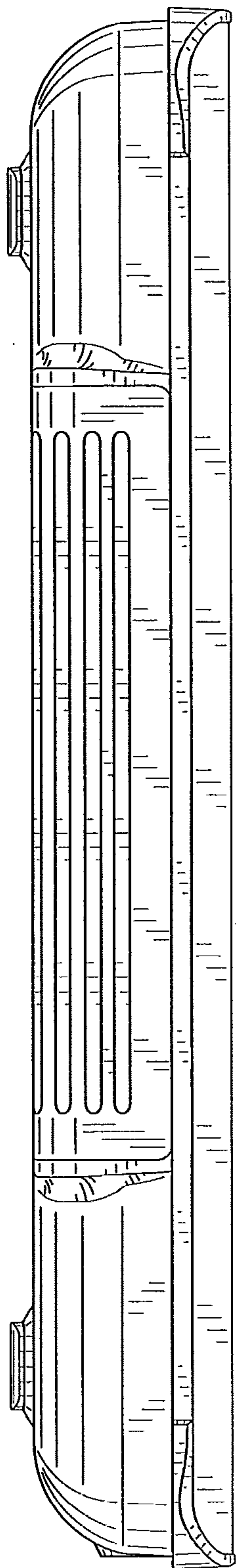


FIG. 6

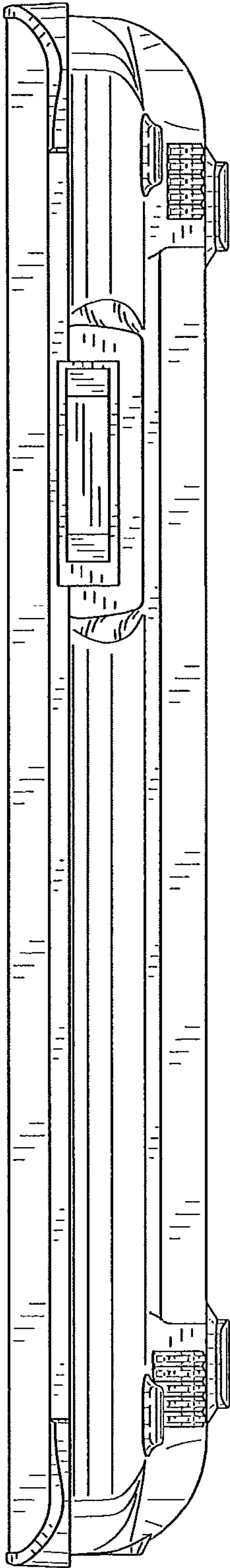


FIG. 7