



US00D679270S

(12) **United States Design Patent**  
**Eicher**

(10) **Patent No.:** **US D679,270 S**

(45) **Date of Patent:** **\*\* Apr. 2, 2013**

(54) **PROTECTIVE CASE FOR PORTABLE ELECTRONIC DEVICE**

(76) Inventor: **Jon N. Eicher**, Catharpin, VA (US)

(\*\*) Term: **14 Years**

(21) Appl. No.: **29/412,445**

(22) Filed: **Feb. 3, 2012**

(51) **LOC (9) Cl.** ..... **14-03**

(52) **U.S. Cl.** ..... **D14/250**

(58) **Field of Classification Search** ..... D14/250–253, D14/440, 203.3–203.7, 217, 496, 248, 238.1, D14/240, 447; D3/201, 218, 269, 301, 273, D3/303, 103, 247; D13/103, 107–108, 119; 220/4.02; 248/309.1, 371, 176.3, 668; 361/679.56, 361/679.3, 679.25, 816; 379/426, 433.11, 379/455; 455/575.1, 575.8; 206/305, 320; D6/300, 310, 311, 312; 345/173

See application file for complete search history.

(56) **References Cited**

**U.S. PATENT DOCUMENTS**

D348,472 S *	7/1994	Cyfko	.....	D14/250
D367,355 S *	2/1996	Fleming, Jr.	.....	D3/218
D378,020 S *	2/1997	Hatt	.....	D3/218
D437,111 S *	2/2001	Bergh	.....	D3/218
D459,346 S *	6/2002	Powell	.....	D14/250
D485,834 S *	1/2004	Davetas	.....	D14/250
D551,856 S *	10/2007	Ko et al.	.....	D3/218
D563,093 S *	3/2008	Nussberger	.....	D3/201
D566,383 S *	4/2008	Harris et al.	.....	D3/218
D568,042 S *	5/2008	Cerullo	.....	D3/218
D589,531 S *	3/2009	Fullerton	.....	D14/496
D593,319 S *	6/2009	Richardson et al.	.....	D3/218
D595,125 S *	6/2009	Doyle	.....	D9/418

D609,462 S *	2/2010	Bullen	.....	D3/218
D613,282 S *	4/2010	Richardson et al.	.....	D14/250
D619,356 S *	7/2010	Hillman	.....	D3/218
D624,304 S *	9/2010	Danze et al.	.....	D3/201
D628,374 S *	12/2010	Lee et al.	.....	D3/201
D642,169 S *	7/2011	Andre et al.	.....	D14/250
D643,029 S *	8/2011	Feng	.....	D14/250
D655,702 S *	3/2012	Saxton	.....	D14/253
2009/0247244 A1 *	10/2009	Mittleman et al.	.....	455/575.1

**OTHER PUBLICATIONS**

Cardboard Cell Phone Case, posted on Nov. 12, 2012, <URL:http://milwaukeeemakerspace.org/>, retrieved from internet on Nov. 13, 2012.\*

\* cited by examiner

*Primary Examiner* — Carla Jobe Wright

(74) *Attorney, Agent, or Firm* — Weitzman Law Offices, LLC

(57) **CLAIM**

The ornamental design for a protective case for portable electronic device, as shown and described.

**DESCRIPTION**

FIG. 1 is a front perspective view of a new ornamental protective case for portable electronic device; FIG. 2 is a front view thereof; FIG. 3 is a rear view thereof; FIG. 4 is a right side view thereof; FIG. 5 is a left side view thereof; FIG. 6 is a top view thereof; and, FIG. 7 is a bottom view thereof. In the drawings, the broken lines depict unclaimed environment.

**1 Claim, 3 Drawing Sheets**

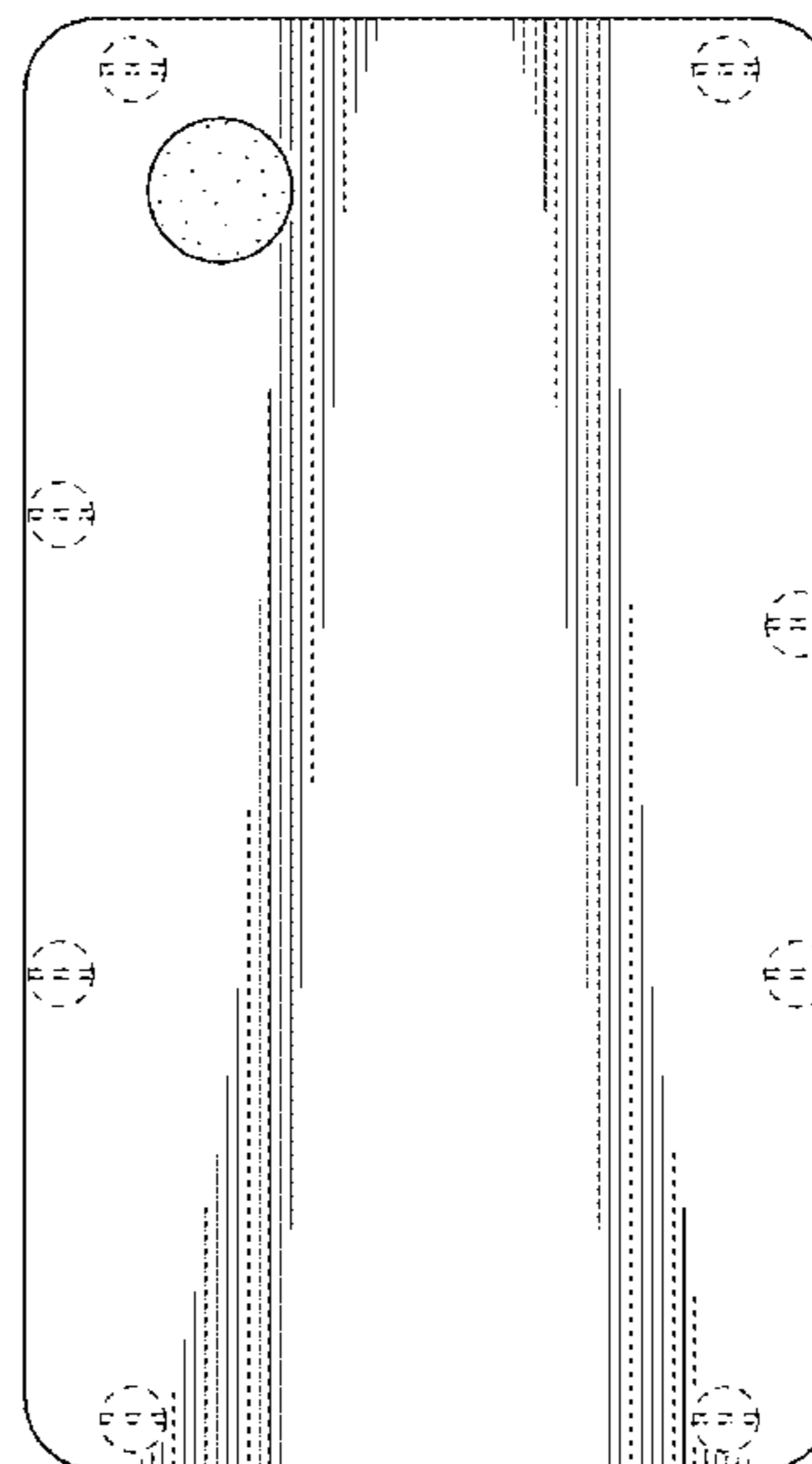
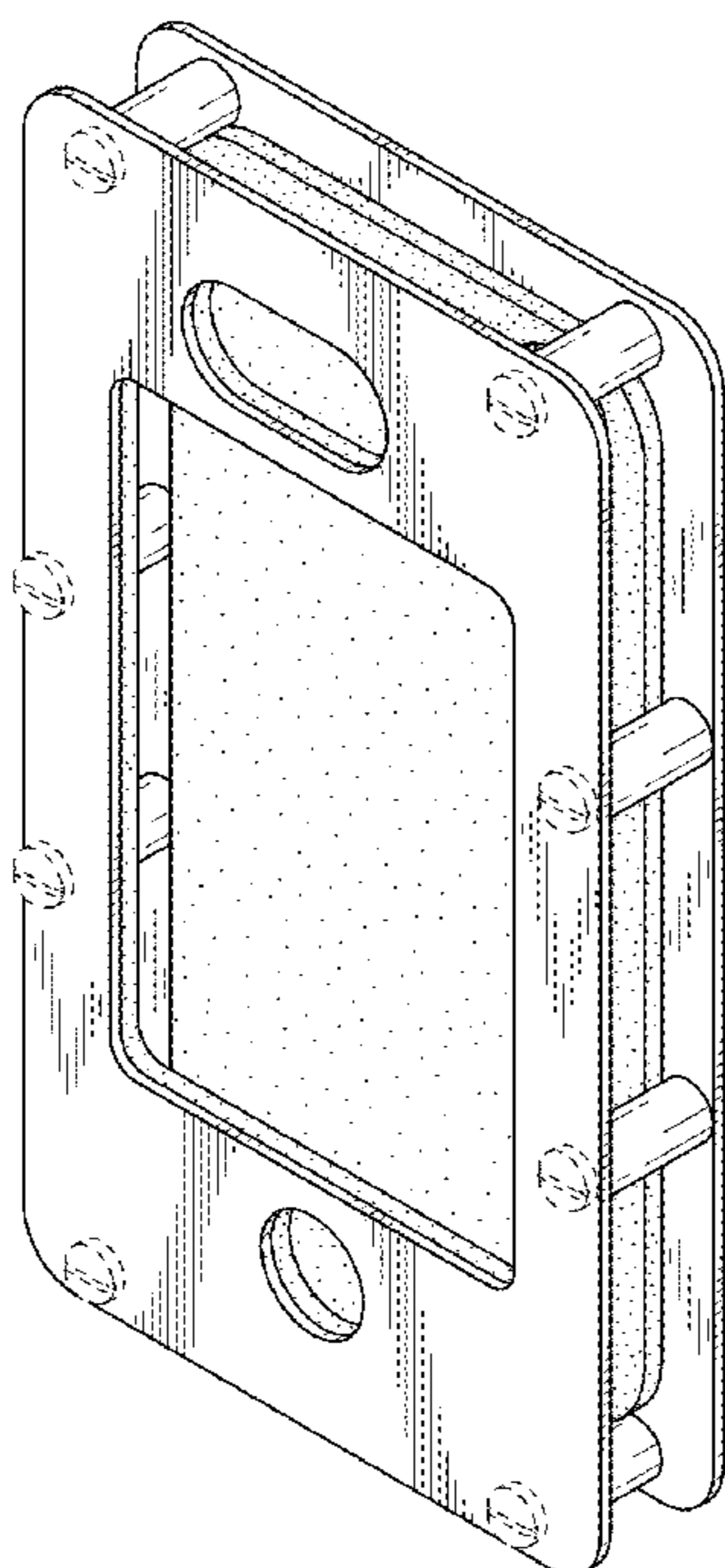


FIG. 1

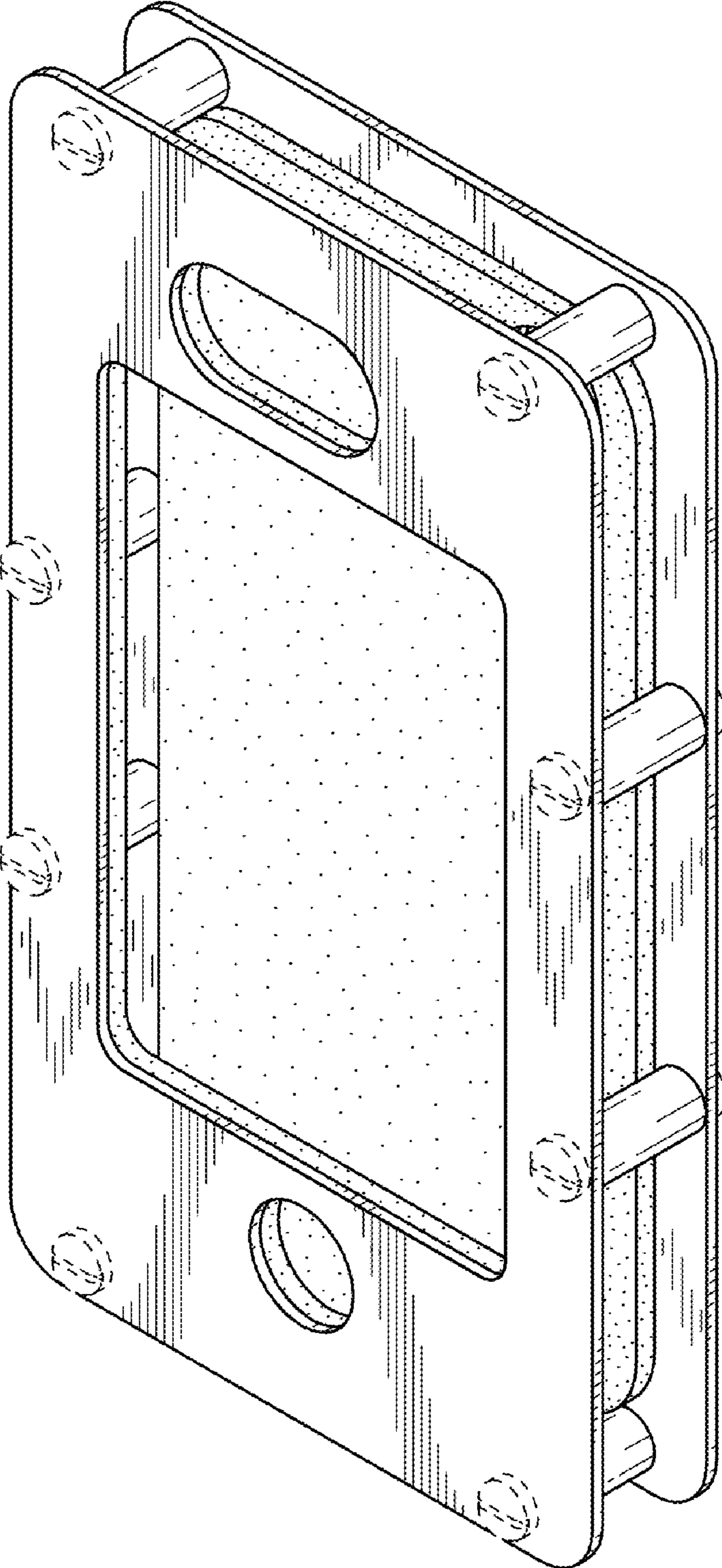


FIG. 3

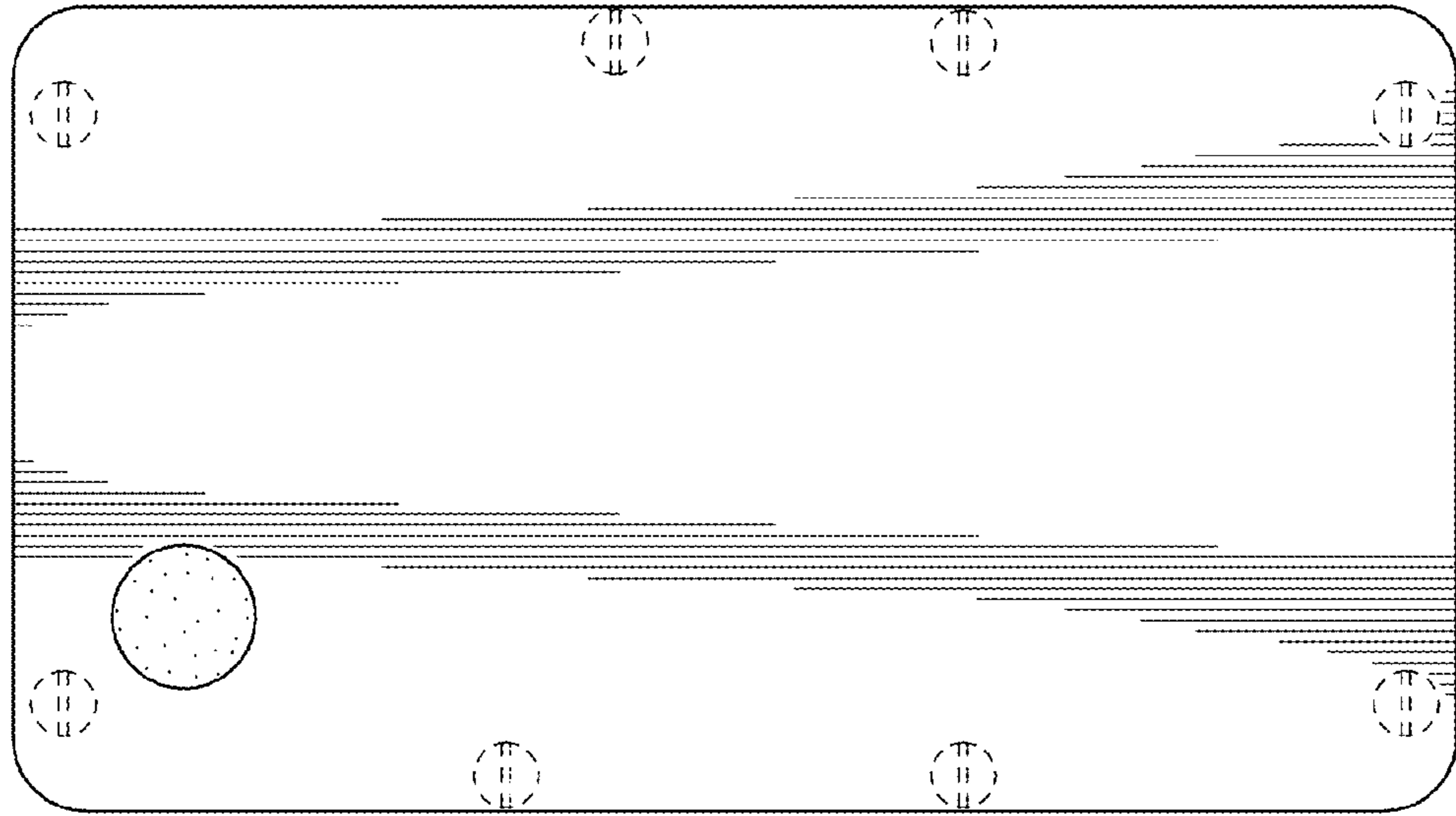


FIG. 2

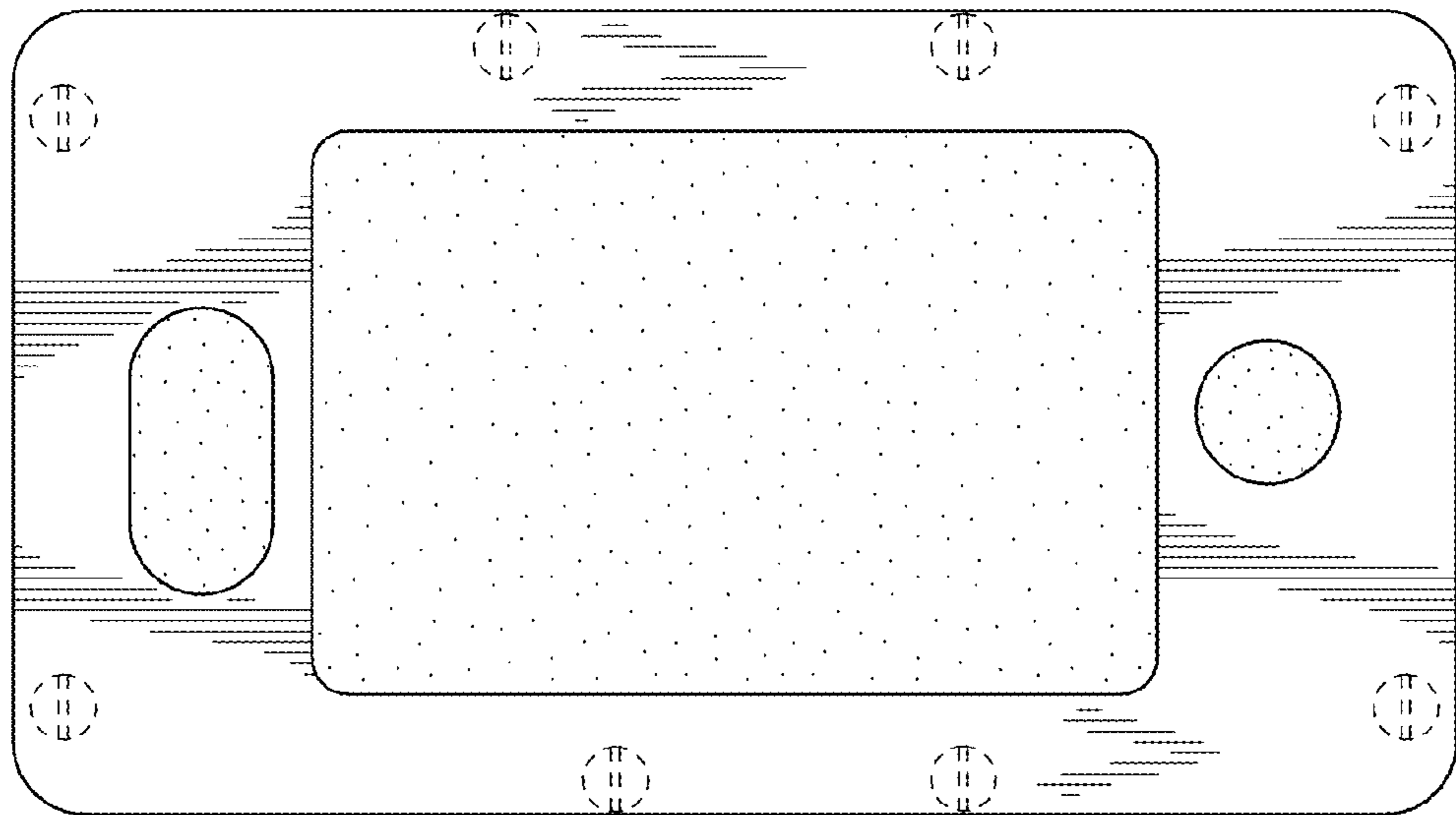


FIG. 4

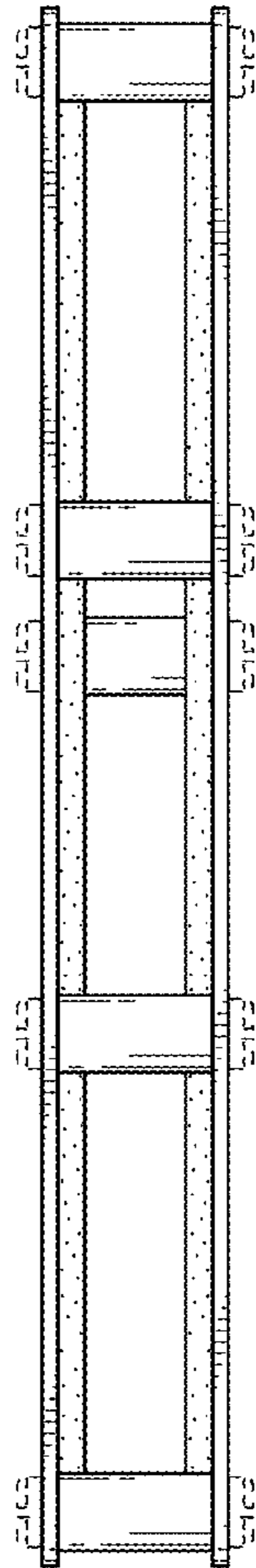


FIG. 5

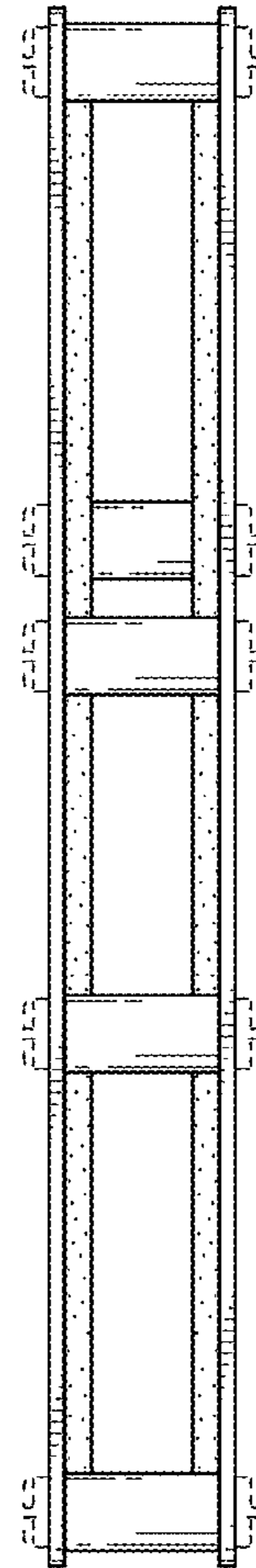


FIG. 6

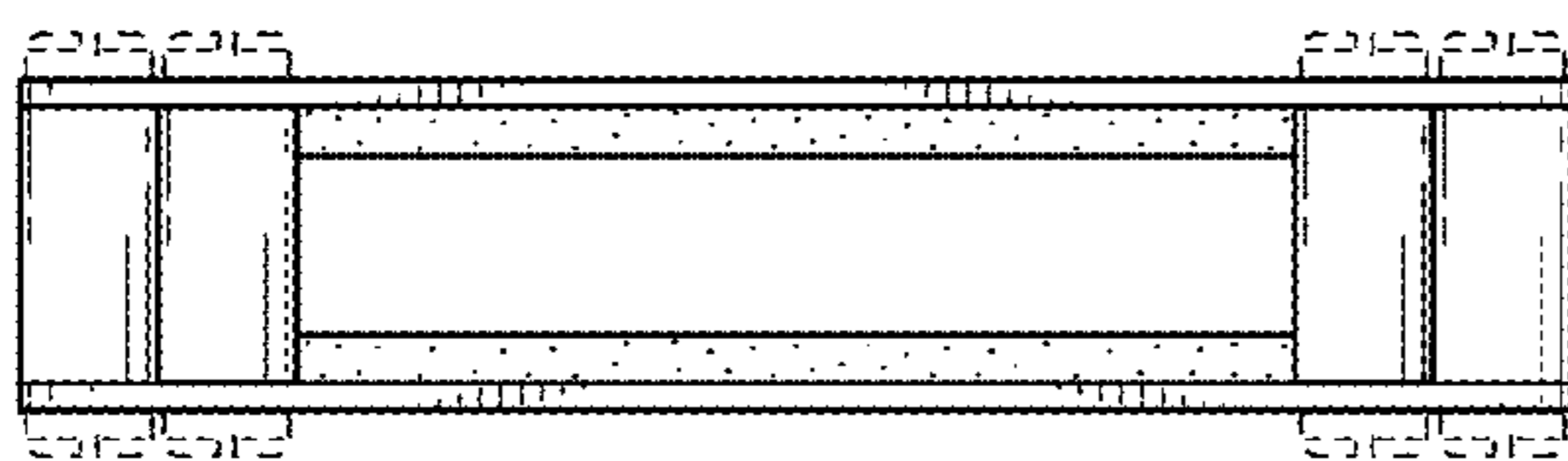


FIG. 7

