



US00D679267S

(12) **United States Design Patent**
Lee et al.

(10) **Patent No.:** **US D679,267 S**
(45) **Date of Patent:** **** Apr. 2, 2013**

(54) **HEADPHONE**

(75) Inventors: **Noel Lee**, Las Vegas, NV (US); **Jacky Hsiung**, San Jose, CA (US)

(73) Assignee: **Monster Cable Products, Inc.**,
Brisbane, CA (US)

(**) Term: **14 Years**

(21) Appl. No.: **29/400,693**

(22) Filed: **Aug. 31, 2011**

(51) **LOC (9) Cl.** **14-01**

(52) **U.S. Cl.** **D14/223**

(58) **Field of Classification Search** D14/205,
D14/206, 223; 181/129, 130, 135; 379/430,
379/431; 381/380, 381; 455/90.3, 575.1
See application file for complete search history.

(56) **References Cited**

U.S. PATENT DOCUMENTS

D316,550 S *	4/1991	Sogabe	D14/168
D512,049 S *	11/2005	Yang	D14/223
D523,846 S *	6/2006	Lee	D14/205
D554,109 S *	10/2007	Ledbetter et al.	D14/223
D555,152 S *	11/2007	Wang	D14/223
D573,977 S *	7/2008	Ledbetter et al.	D14/205
D573,978 S *	7/2008	Ledbetter et al.	D14/205
D576,154 S *	9/2008	Ledbetter et al.	D14/223
D594,441 S	6/2009	Lee et al.		
D598,901 S	8/2009	Lee et al.		
D599,781 S	9/2009	Lee et al.		

D600,675 S	9/2009	Lee et al.		
D604,272 S *	11/2009	Kitayama	D14/223
D643,417 S	7/2010	Lee et al.		
D643,418 S	7/2010	Lee et al.		
D637,182 S	5/2011	Lee et al.		
D641,008 S *	7/2011	Lee et al.	D14/223
D641,737 S *	7/2011	Krauss et al.	D14/223
D642,163 S	7/2011	Lee et al.		
D643,833 S	8/2011	Lee et al.		
D656,481 S *	3/2012	McManigal	D14/205
D670,275 S *	11/2012	Tompkin et al.	D14/223

* cited by examiner

Primary Examiner — Paula Greene

(74) *Attorney, Agent, or Firm* — LaRiviere, Grubman & Payne, LLP

(57) **CLAIM**

The ornamental design for a headphone, as shown and described.

DESCRIPTION

FIG. 1 is a perspective view of a headphone, showing our design;

FIG. 2 is front view thereof;

FIG. 3 is a rear view thereof;

FIG. 4 is a side view thereof;

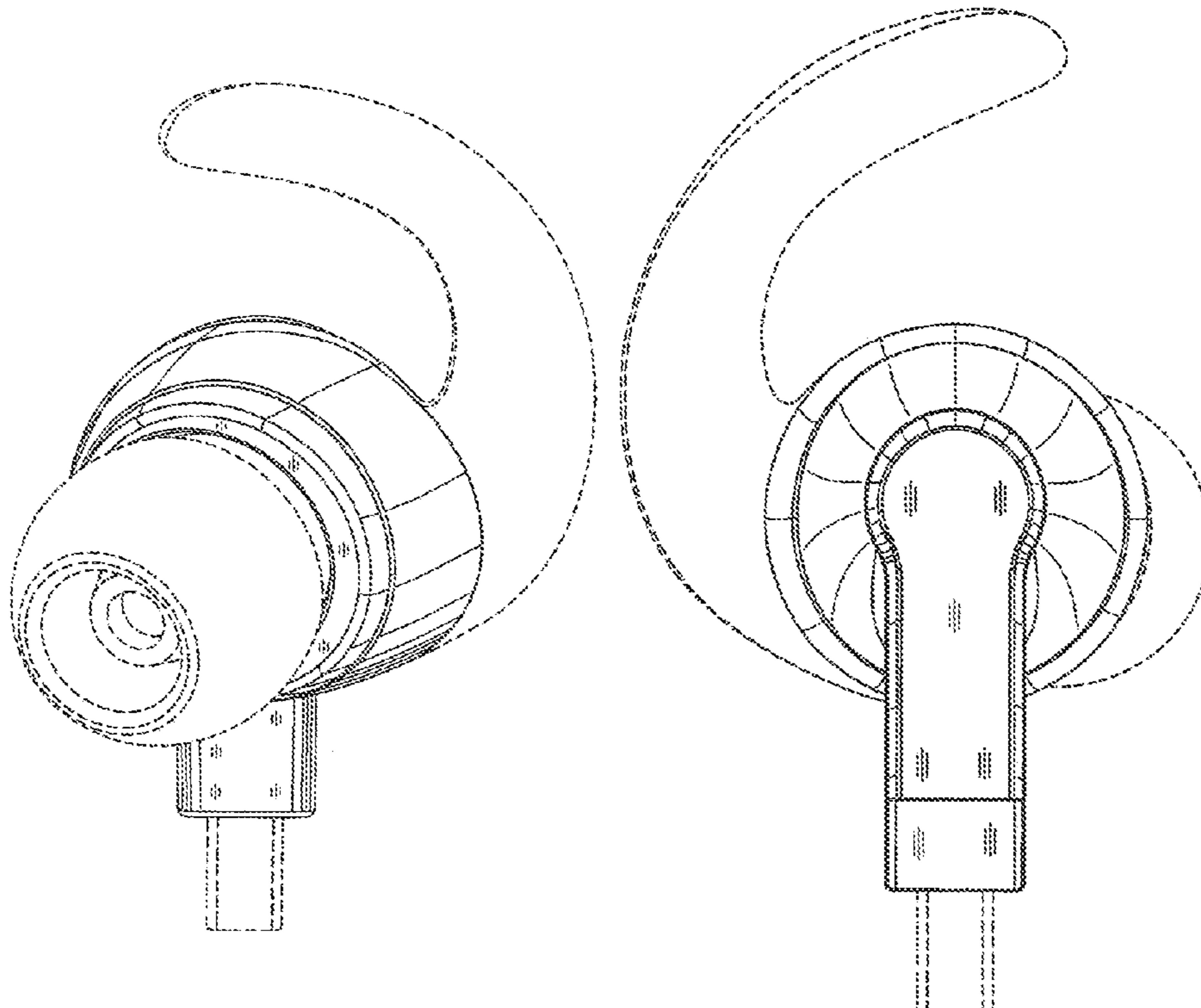
FIG. 5 is an opposing side view thereof;

FIG. 6 is a top view thereof; and,

FIG. 7 is a bottom view thereof.

The broken lines showing the environment are for illustrative purposes only and form no part of the claimed design.

1 Claim, 4 Drawing Sheets



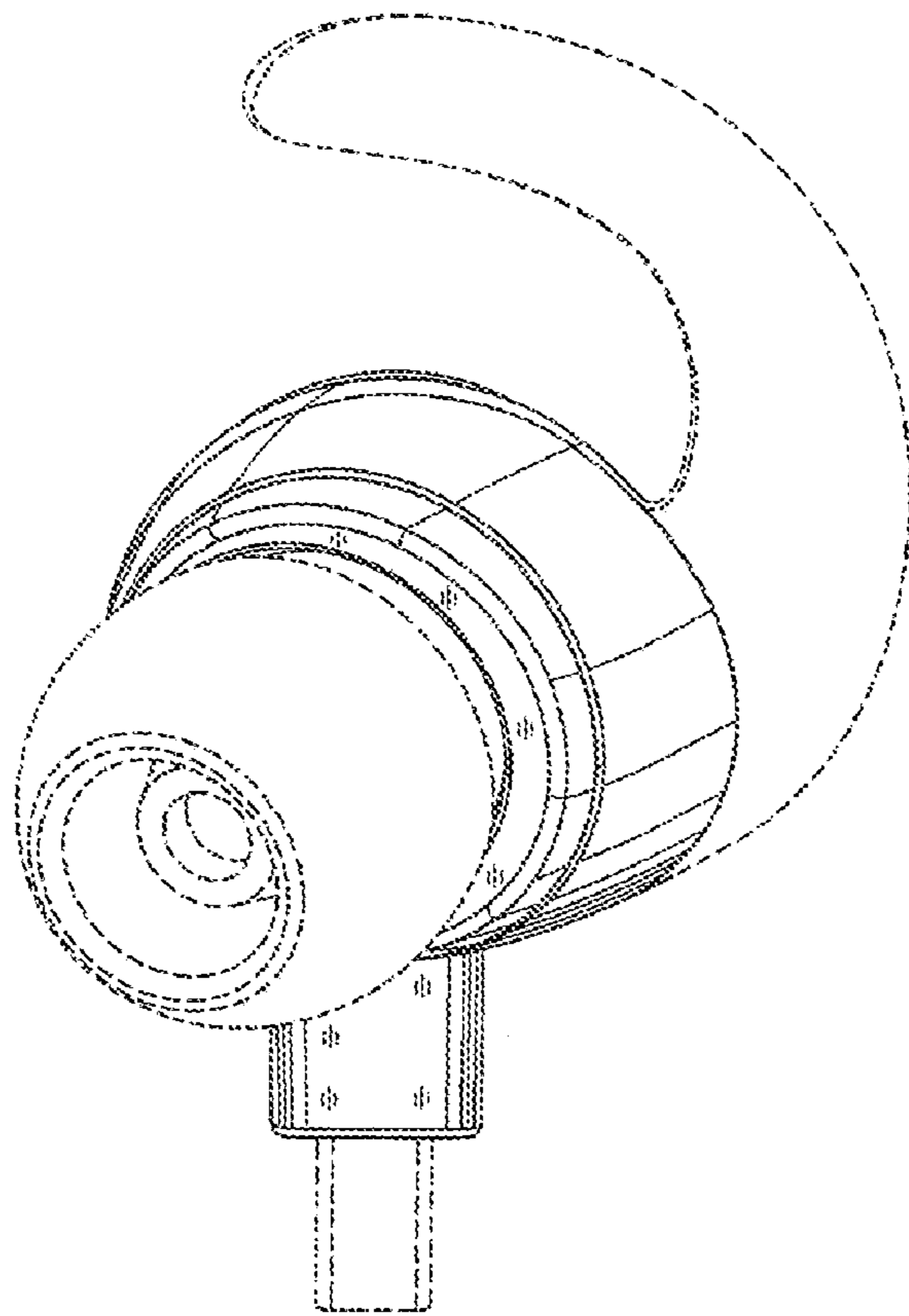


Figure 1

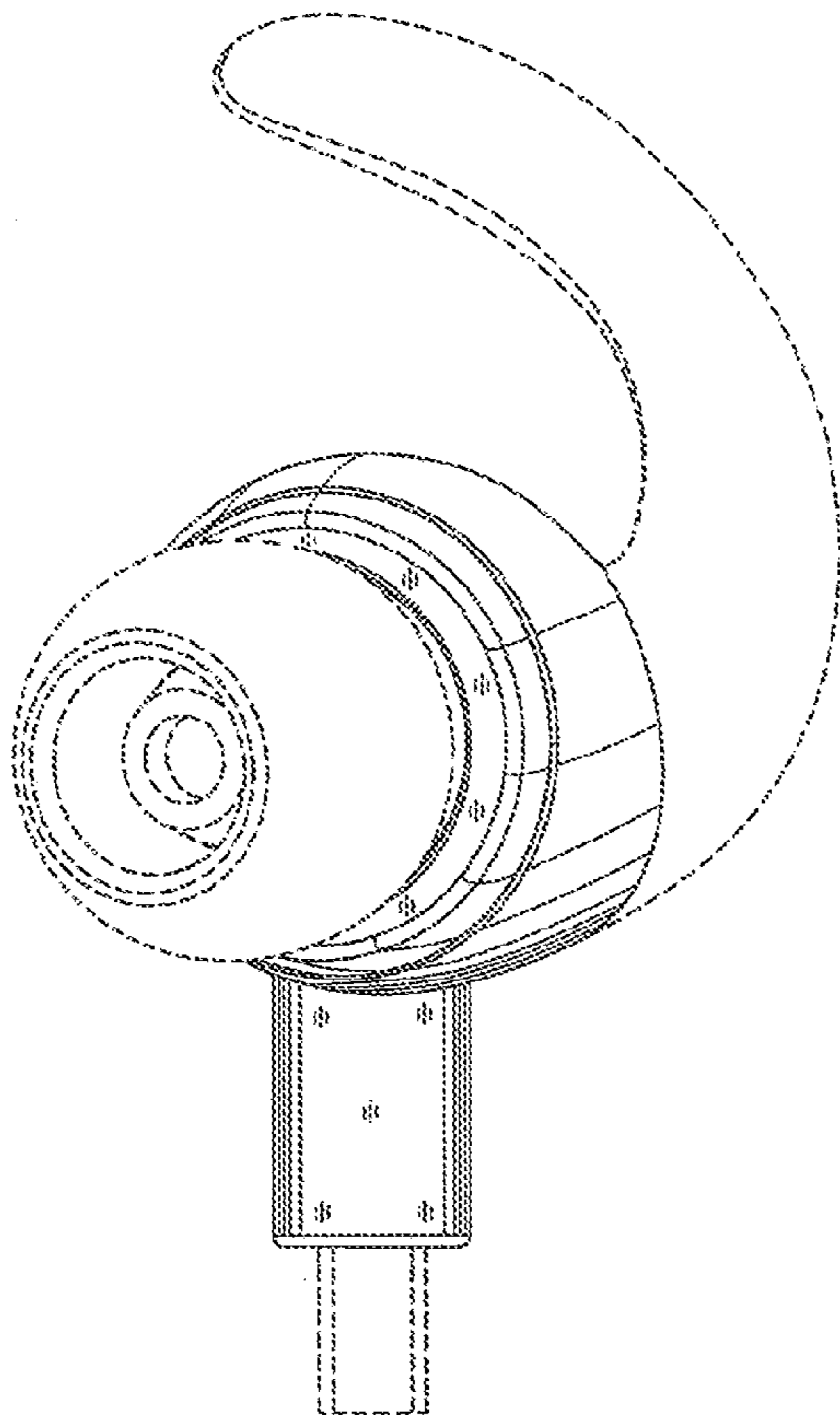


Figure 2

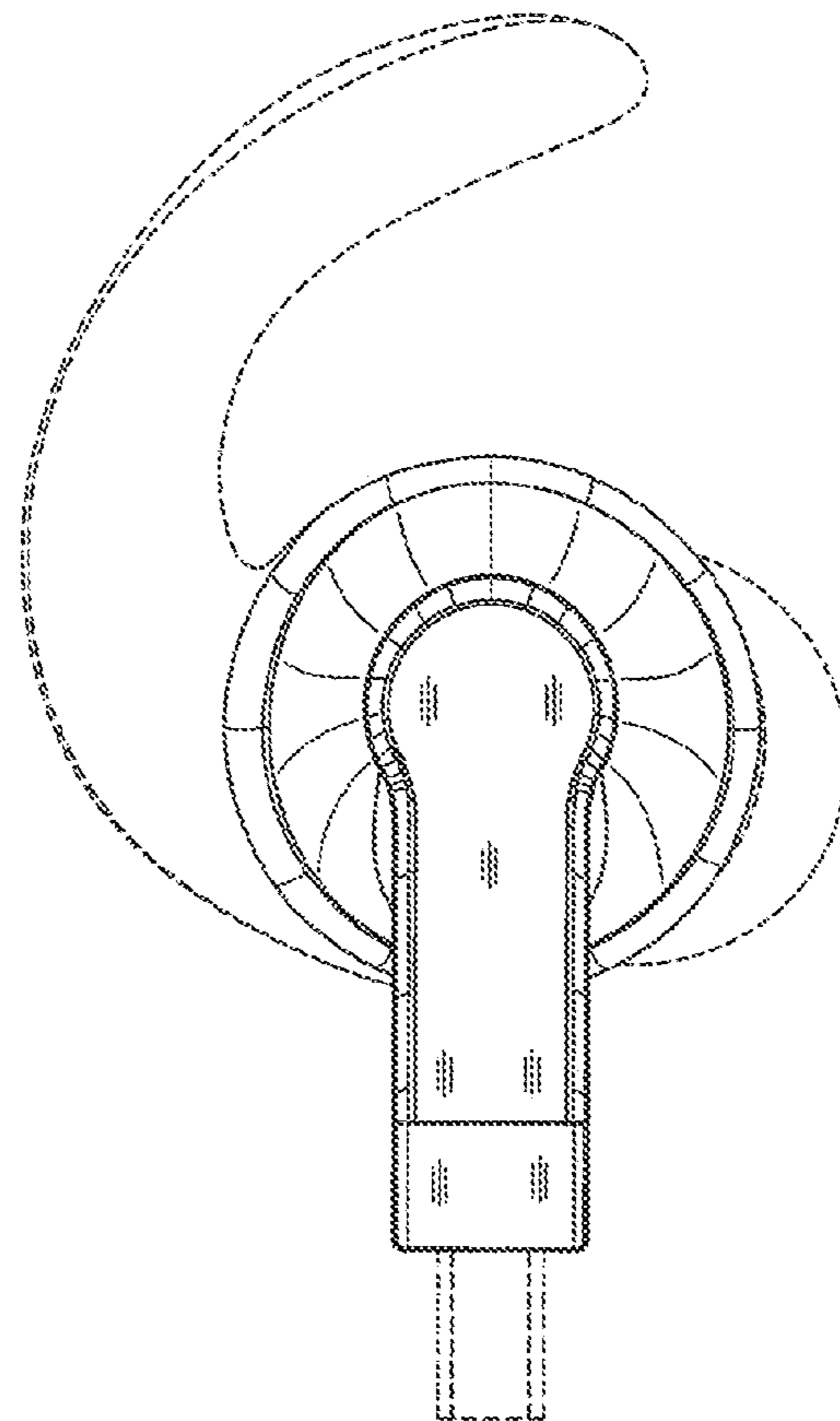


Figure 3

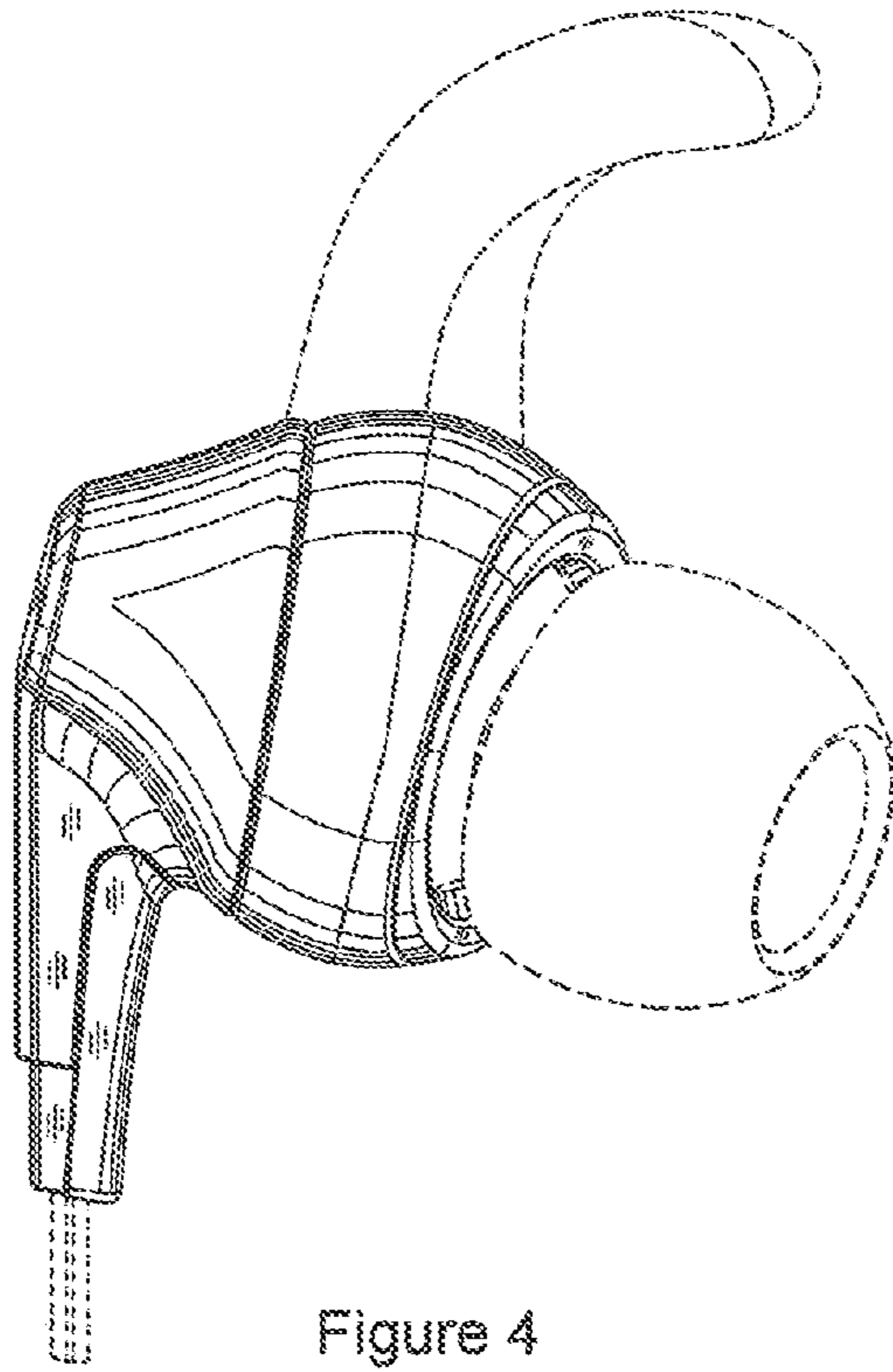


Figure 4

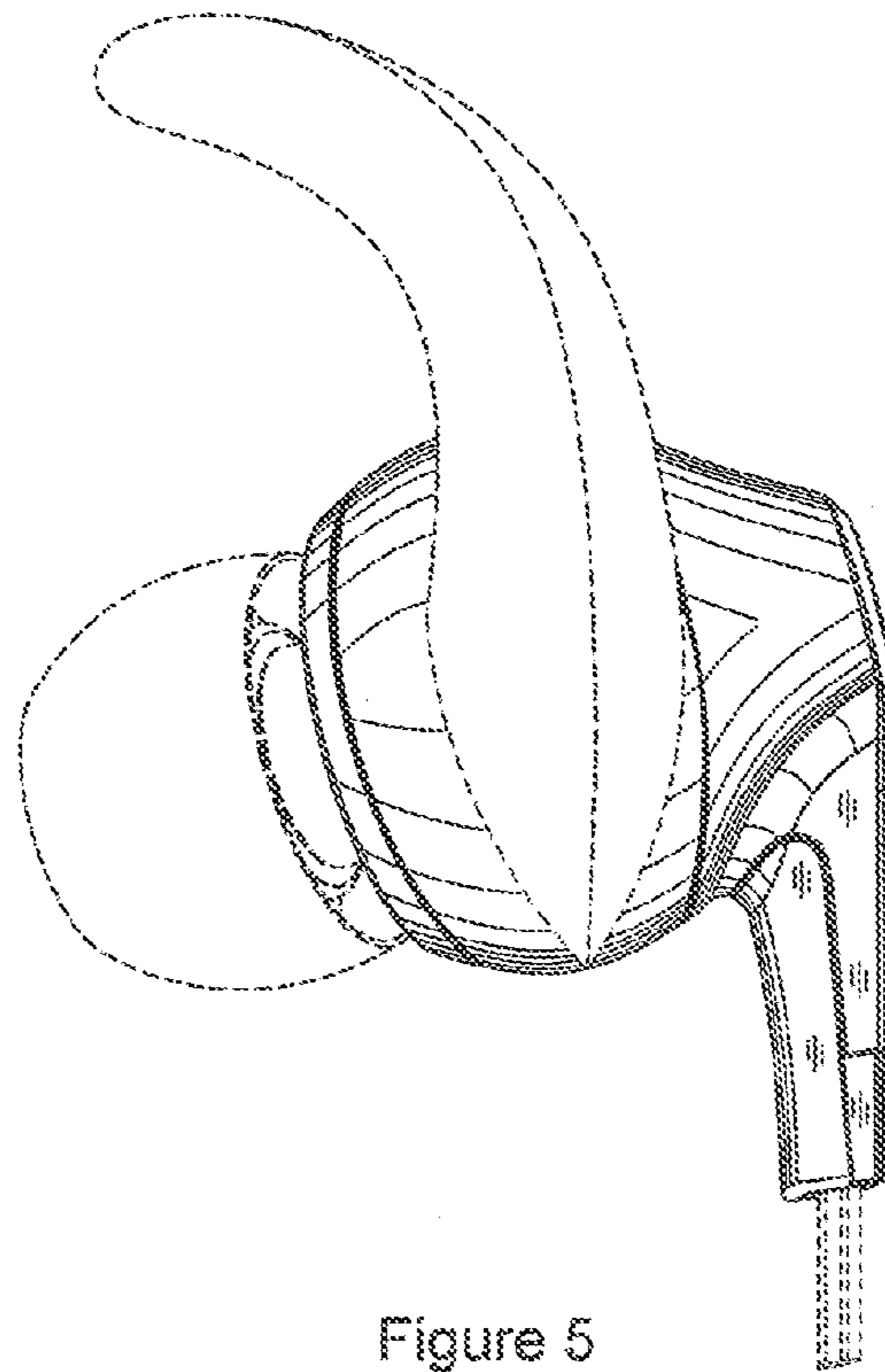


Figure 5

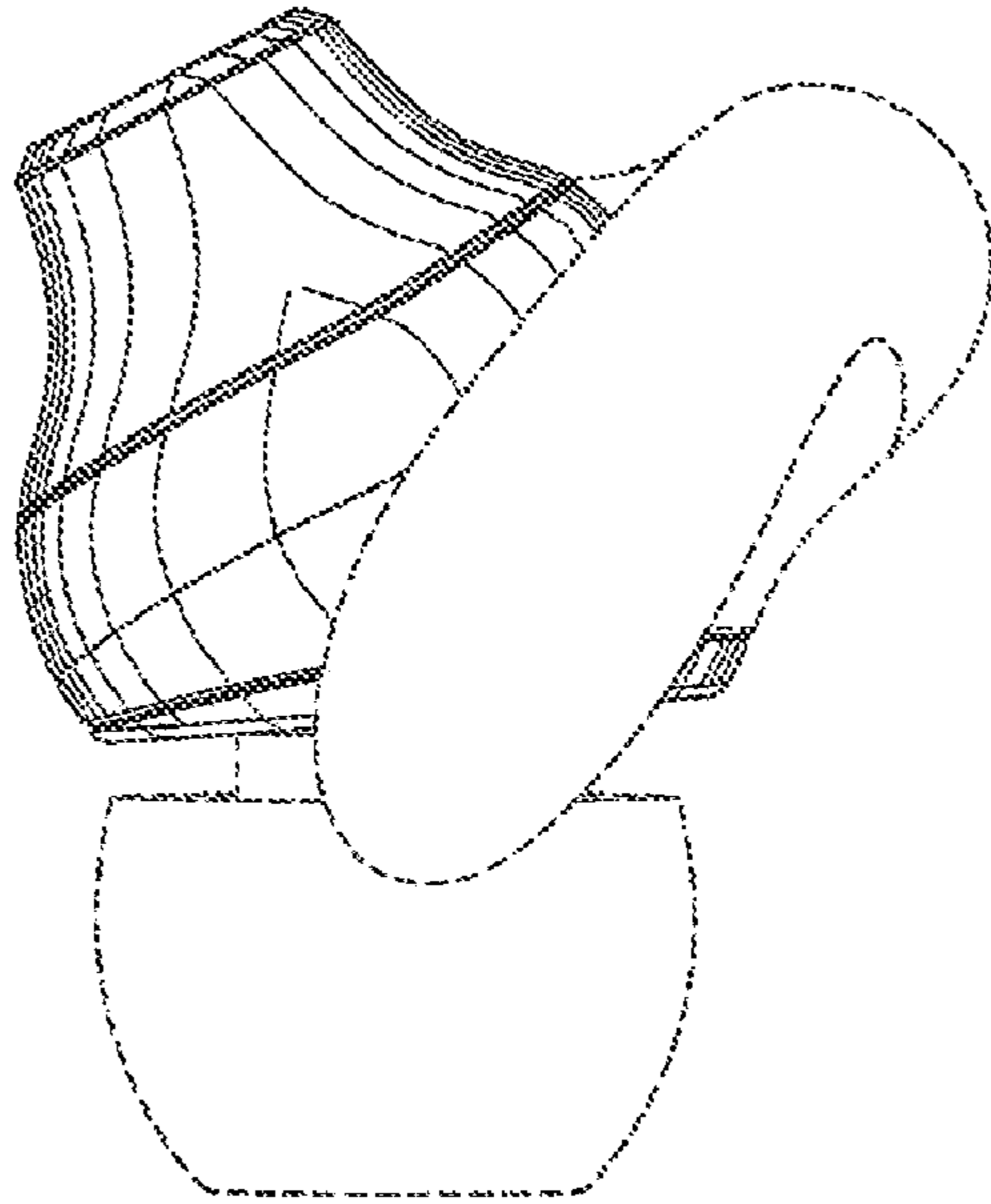


Figure 6

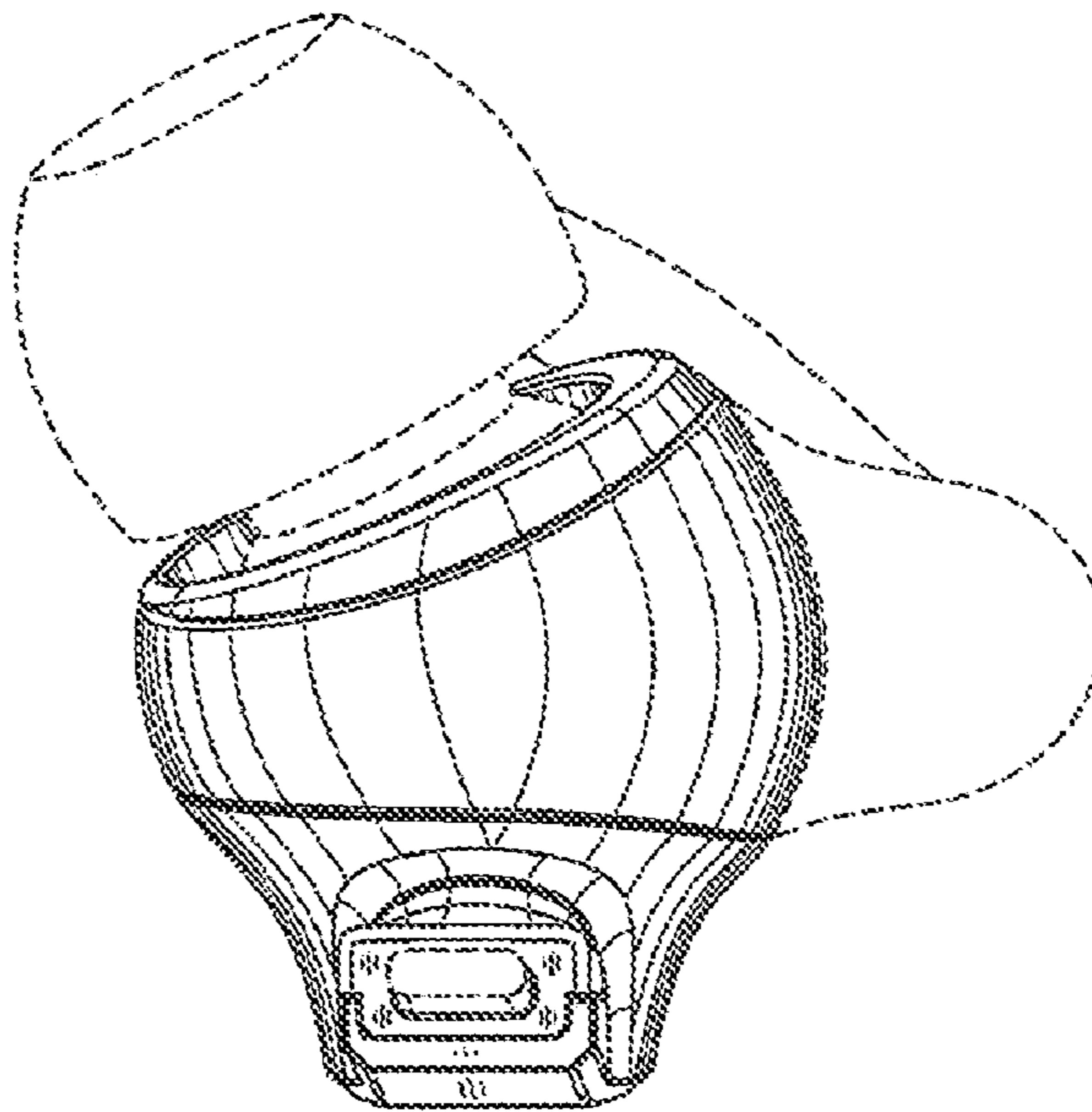


Figure 7