



US00D679265S

(12) **United States Design Patent**  
**Lee**

(10) **Patent No.:** **US D679,265 S**

(45) **Date of Patent:** **\*\* Apr. 2, 2013**

(54) **DOCKING STATION**

(75) Inventor: **Noel Lee**, Las Vegas, NV (US)

(73) Assignee: **Monster, LLC**, Las Vegas, NV (US)

(\*\*) Term: **14 Years**

(21) Appl. No.: **29/410,549**

(22) Filed: **Jan. 9, 2012**

(51) **LOC (9) Cl.** ..... **14-01**

(52) **U.S. Cl.** ..... **D14/209.1; D14/434; D14/204**

(58) **Field of Classification Search** ..... D14/204,  
D14/204.1, 210–216, 172, 434; 181/143,  
181/144, 147, 148, 150–153, 157, 198, 199;  
381/300–306, 332, 333, 336, 345, 361–364

See application file for complete search history.

(56) **References Cited**

**U.S. PATENT DOCUMENTS**

D553,611 S *	10/2007	Gan	.....	D14/214
D585,360 S *	1/2009	Hanagan et al.	.....	D12/410
D598,006 S *	8/2009	Tse	.....	D14/209.1
D620,921 S *	8/2010	Skurdal	.....	D14/209.1
D636,378 S *	4/2011	Ohashi et al.	.....	D14/209.1
7,989,197 B2 *	8/2011	Yoo et al.	.....	435/287.2
D659,119 S *	5/2012	Brunner et al.	.....	D14/209.1
8,180,095 B2 *	5/2012	Zhang	.....	381/387

**OTHER PUBLICATIONS**

U.S. Appl. No. 29/410,550, Jan. 9, 2012, Noel Lee.

U.S. Appl. No. 29/382,653, Jan. 5, 2011, Lee et al.

U.S. Appl. No. 29/382,655, Jan. 5, 2011, Lee et al.

U.S. Appl. No. 29/382,652, Jan. 5, 2011, Lee et al.

U.S. Appl. No. 29/382,651, Jan. 5, 2011, Lee et al.

U.S. Appl. No. 29/317,572, May 1, 2008, Lee et al.

\* cited by examiner

*Primary Examiner* — Prabhakar Deshmukh

(74) *Attorney, Agent, or Firm* — LaRiviere, Grubman & Payne, LLP

(57) **CLAIM**

The ornamental design for a docking station, as shown and described.

**DESCRIPTION**

FIG. 1 is a perspective view of a docking station, showing our design;

FIG. 2 is front view thereof;

FIG. 3 is a rear view thereof;

FIG. 4 is a side view thereof, enlarged to more clearly show the front grill area;

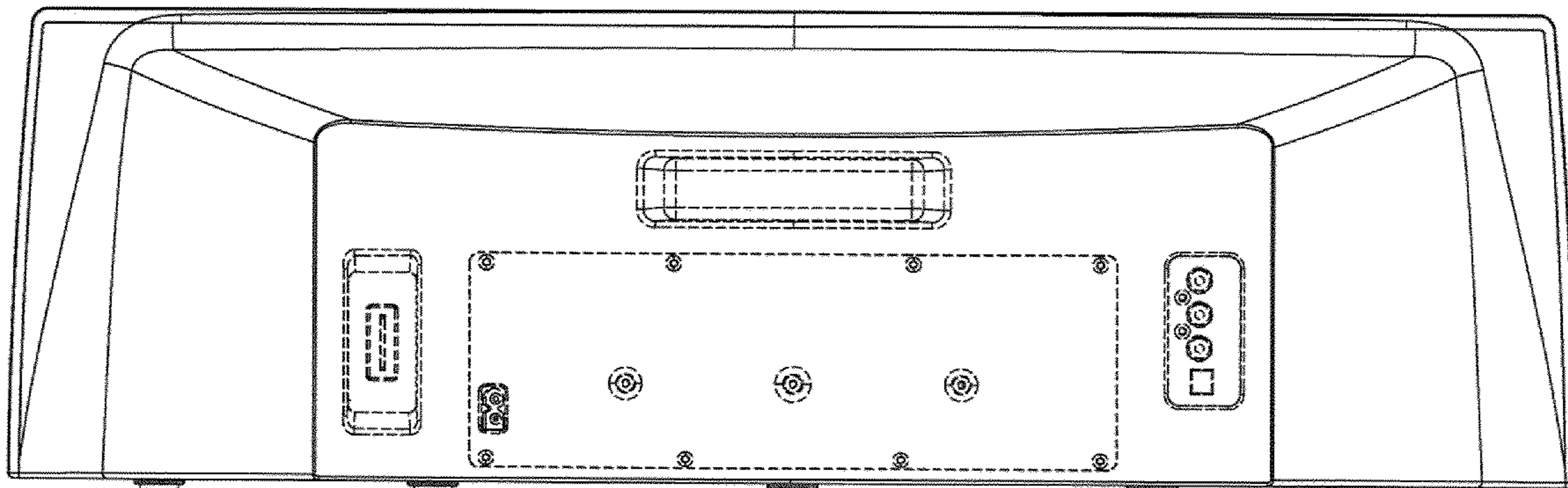
FIG. 5 is an opposing side view thereof, enlarged to more clearly show the front grill area;

FIG. 6 is a top view thereof; and,

FIG. 7 is a bottom view thereof.

The broken lines showing the environment are for illustrative purposes only and form no part of the claimed design.

**1 Claim, 4 Drawing Sheets**





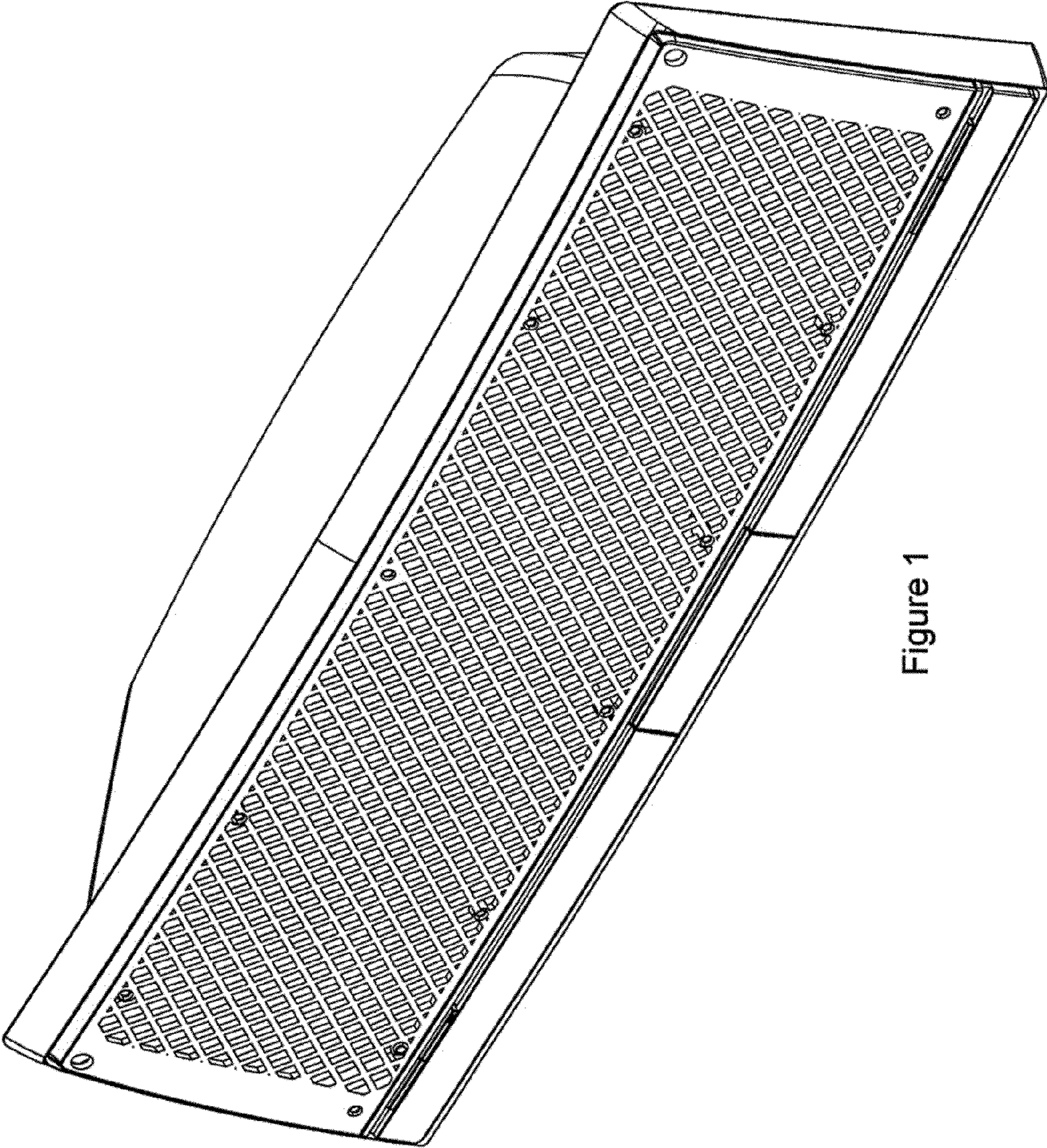


Figure 1



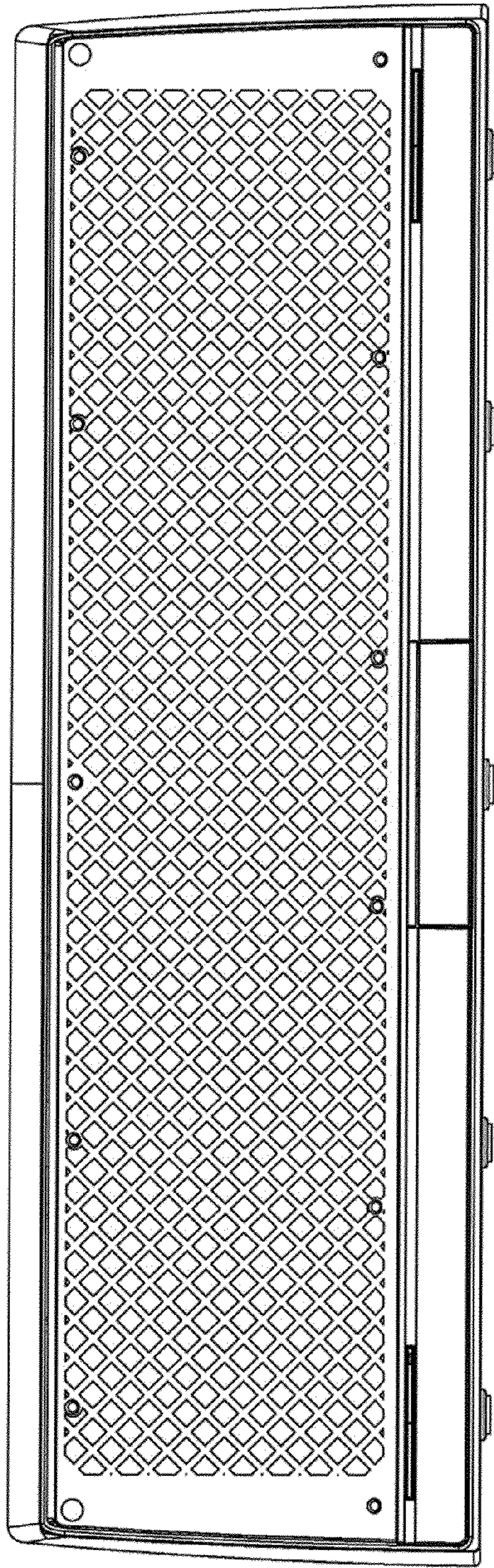


Figure 2

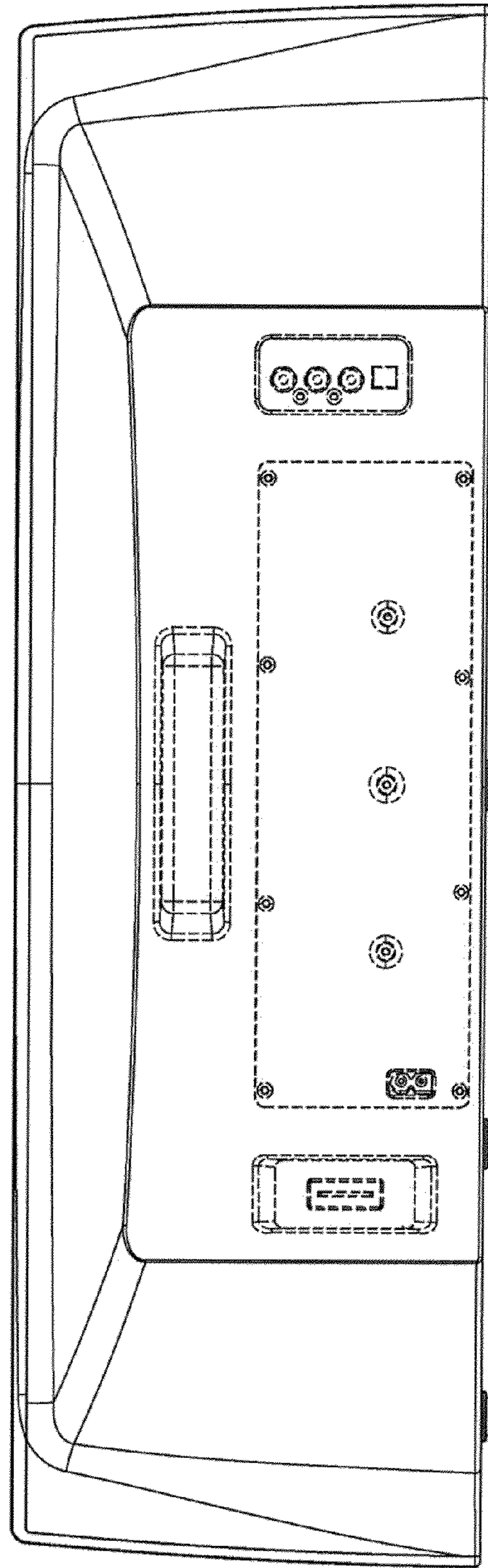


Figure 3



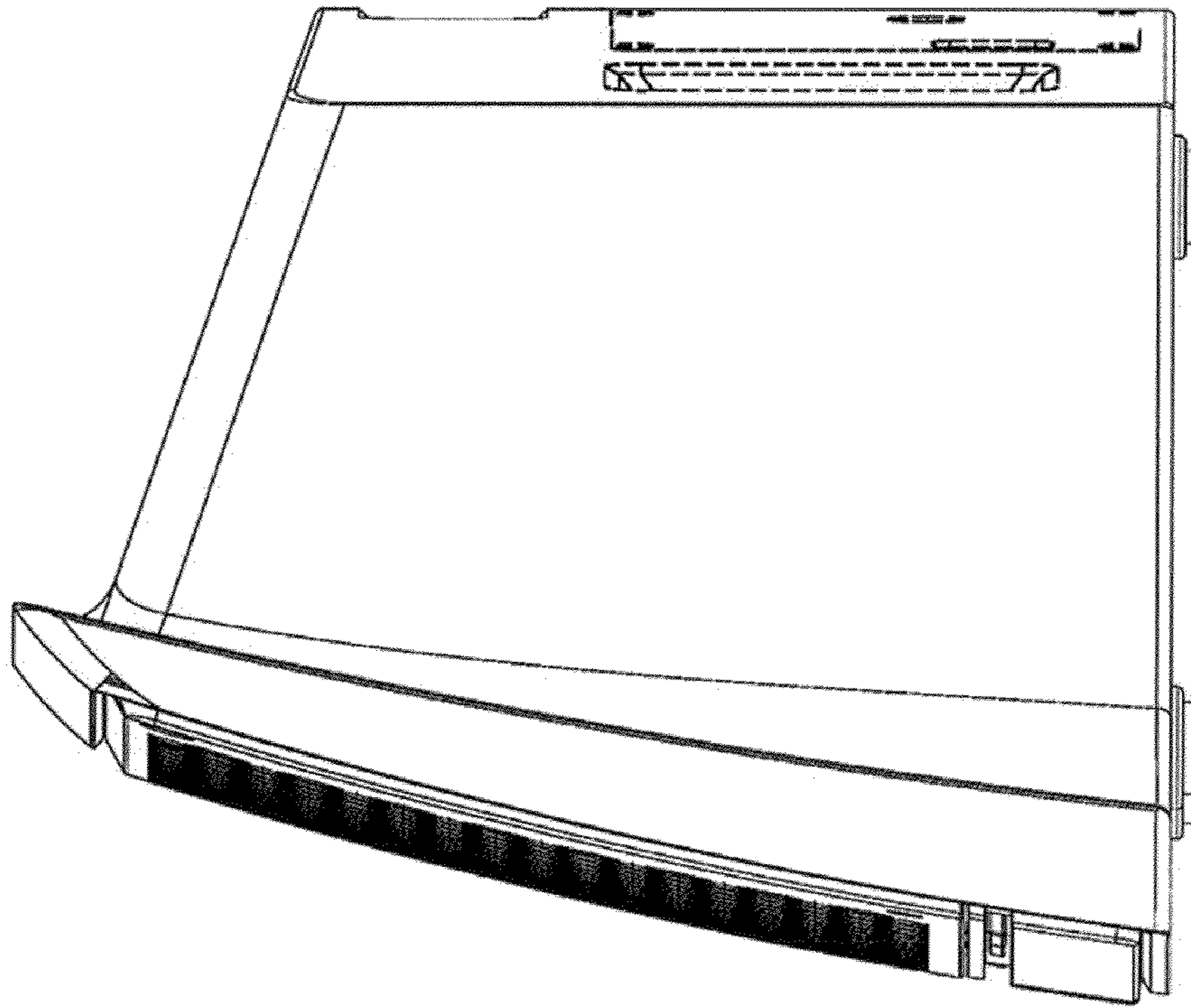


Figure 5

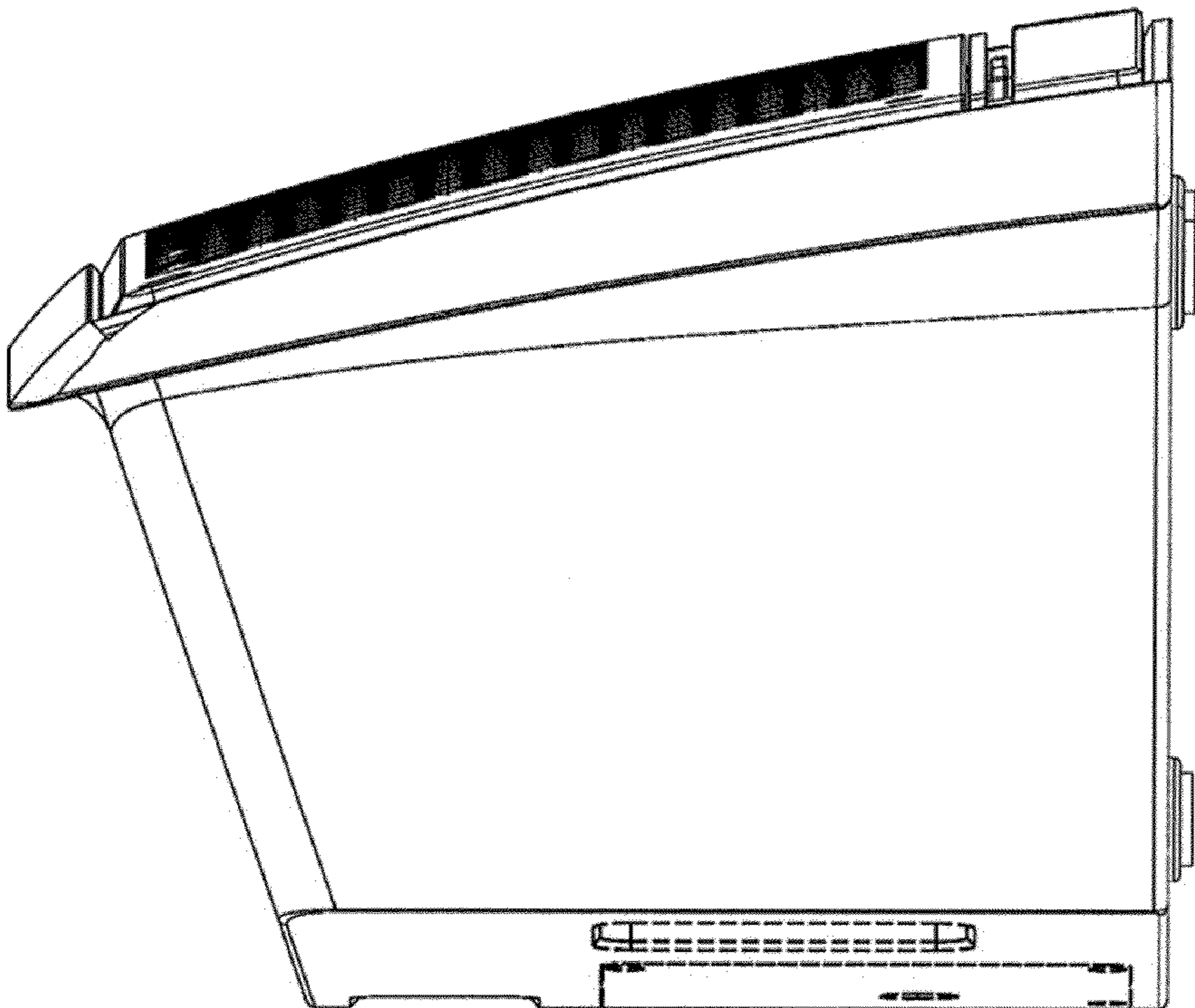


Figure 4



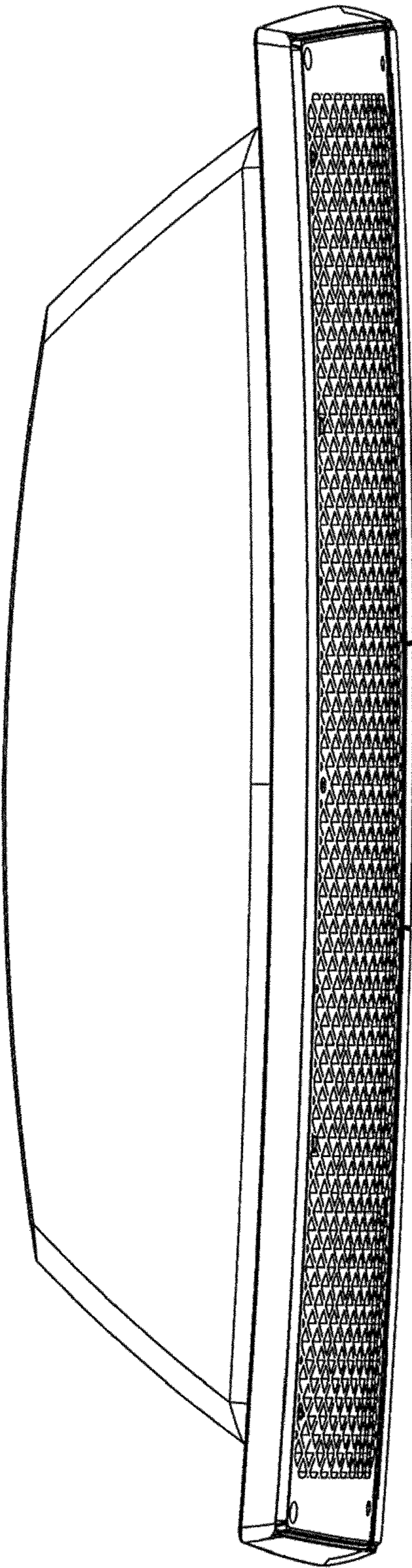


Figure 6

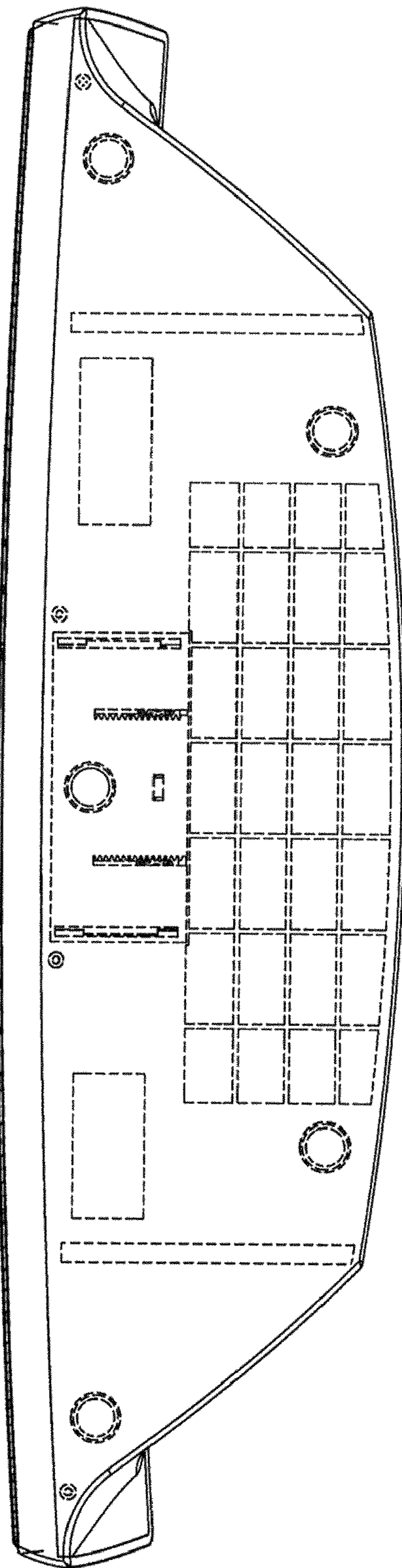


Figure 7