



US00D679264S

(12) **United States Design Patent**
Huang

(10) **Patent No.:** **US D679,264 S**

(45) **Date of Patent:** **** Apr. 2, 2013**

(54) **PORTABLE ELECTRONIC DEVICE**

(75) Inventor: **Chien-Hsin Huang**, Taoyuan County (TW)

(73) Assignee: **HTC Corporation**, Taoyuan (TW)

(**) Term: **14 Years**

(21) Appl. No.: **29/404,186**

(22) Filed: **Oct. 17, 2011**

(51) **LOC (9) Cl.** **14-03**

(52) **U.S. Cl.** **D14/149**

(58) **Field of Classification Search** D14/147, D14/148, 149, 138 R, 138 AA, 138 AD, 138 G, D14/191, 203.1-203.8, 496, 137, 218, 341-347, D14/247-248; 455/566, 575.1, 575.3, 575.4; 345/168, 169, 167

See application file for complete search history.

D656,476 S * 3/2012 Han D14/138 G
D657,331 S * 4/2012 Jung D14/138 G
D657,762 S * 4/2012 Jung et al. D14/138 AD
D658,147 S * 4/2012 Yoon D14/138 G
D663,280 S * 7/2012 Lee D14/138 AD
D665,370 S * 8/2012 Chung D14/138 AD
D665,371 S * 8/2012 Finney et al. D14/138 G
D665,764 S * 8/2012 Shi et al. D14/138 G

FOREIGN PATENT DOCUMENTS

JP D1431125 1/2012
TW D140985 6/2011
TW D142834 9/2011

* cited by examiner

Primary Examiner — Sheryl Lane

(74) *Attorney, Agent, or Firm* — Birch, Stewart, Kolasch & Birch, LLP

(57) **CLAIM**

The ornamental design for portable electronic device, as shown and described.

DESCRIPTION

FIG. 1 is a front perspective view thereof;

FIG. 2 is a front side view thereof;

FIG. 3 is a rear side view thereof;

FIG. 4 is a left side view thereof;

FIG. 5 is a right side view thereof;

FIG. 6 is a top plane view thereof;

FIG. 7 is a bottom plane view thereof; and,

FIG. 8 is a rear perspective view thereof.

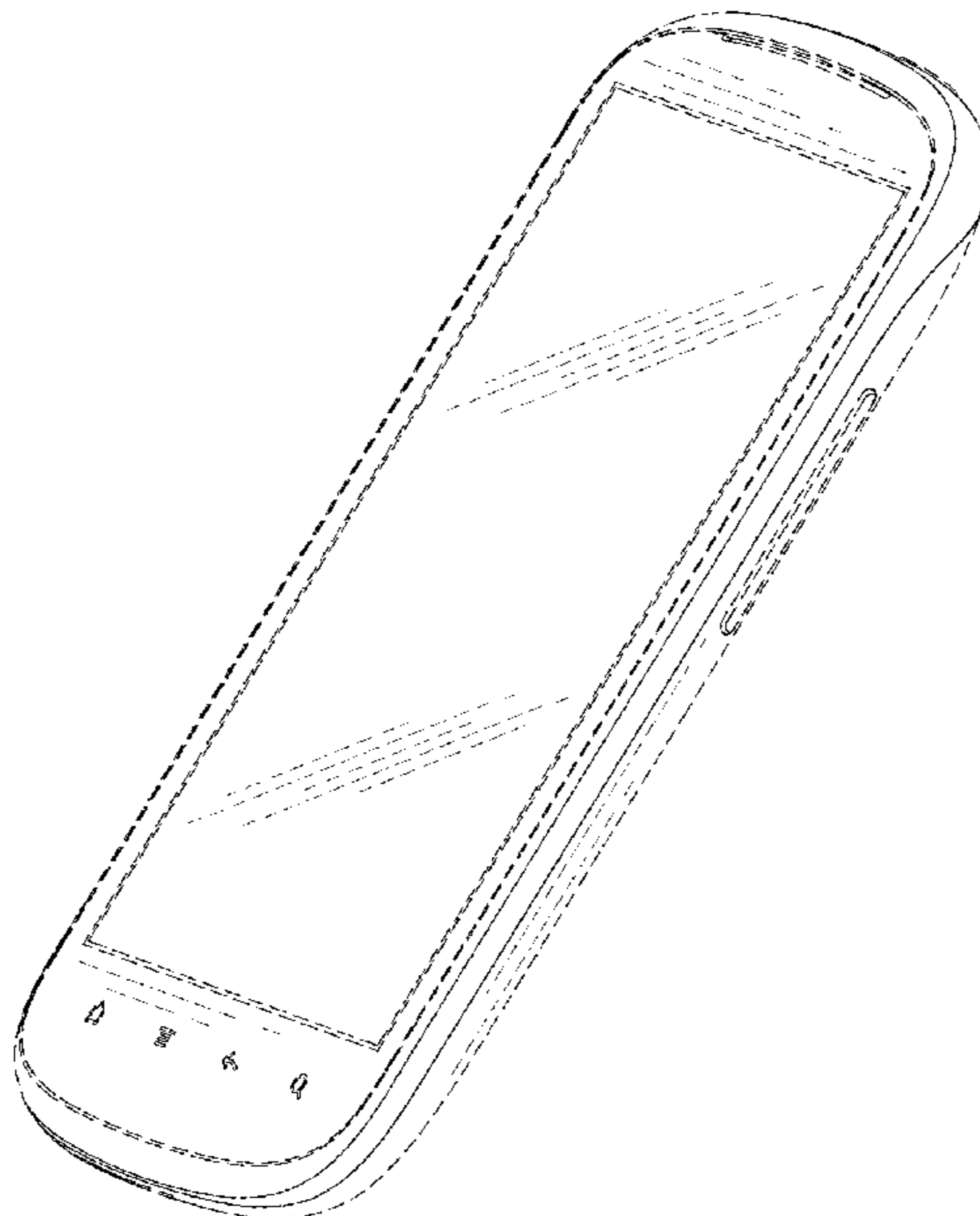
The features shown in broken lines in the various Figures are for illustrating environmental structure and form no part of the claimed design.

1 Claim, 6 Drawing Sheets

(56) **References Cited**

U.S. PATENT DOCUMENTS

D581,384 S * 11/2008 Kim et al. D14/138 AD
D631,028 S 1/2011 Park et al.
D632,663 S 2/2011 Oh et al.
D638,815 S 5/2011 Lee et al.
D639,805 S 6/2011 Song et al.
D641,332 S * 7/2011 Sadatsuki et al. D14/138 AD
D644,198 S * 8/2011 Brabander D14/147
D645,441 S 9/2011 Choe et al.
D646,250 S 10/2011 Han et al.
D654,459 S * 2/2012 Kim D14/138 AD
D654,889 S * 2/2012 Kim et al. D14/138 G
D654,897 S * 2/2012 Kim D14/138 AD
D654,902 S * 2/2012 Chung D14/138 AD



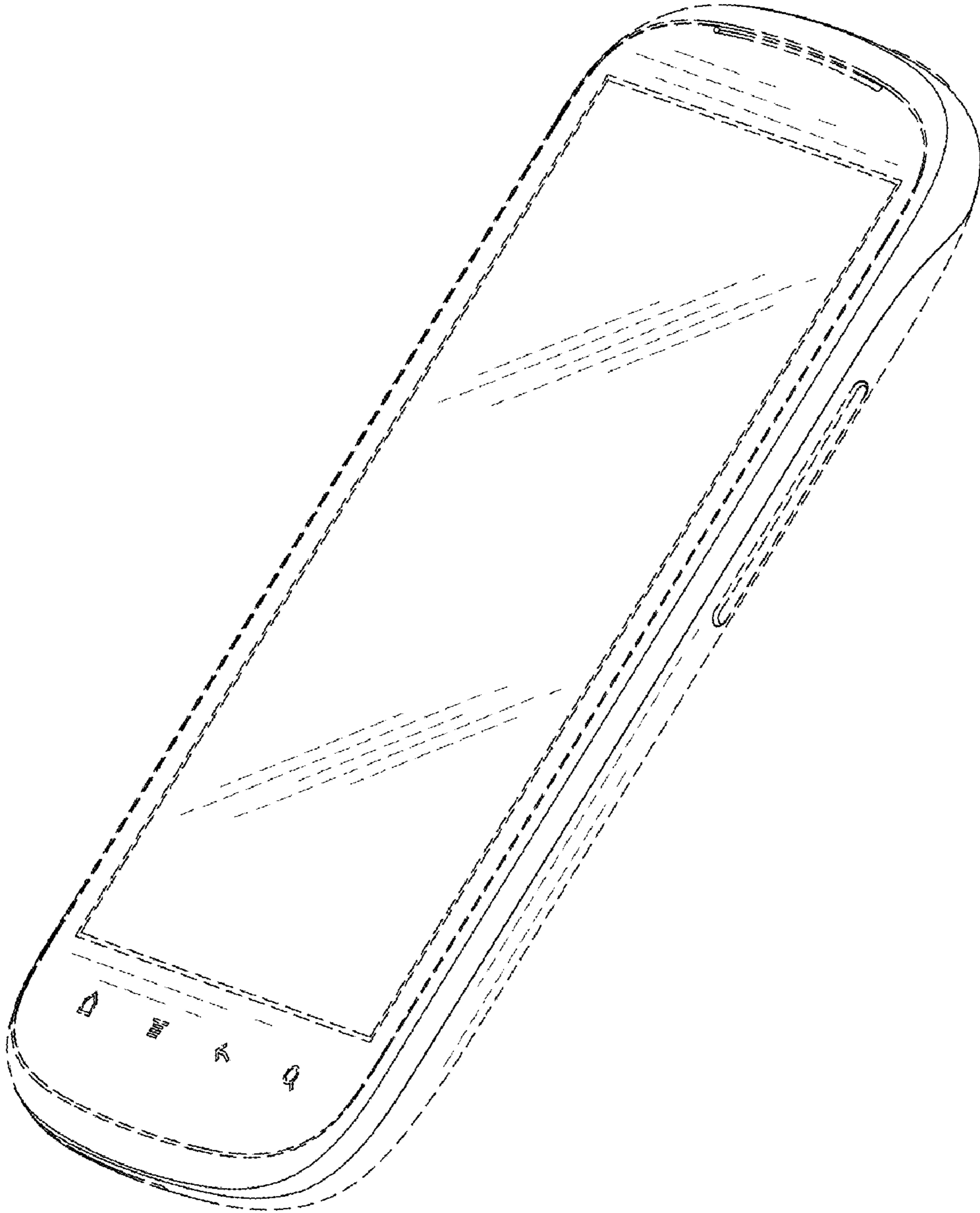


FIG. 1

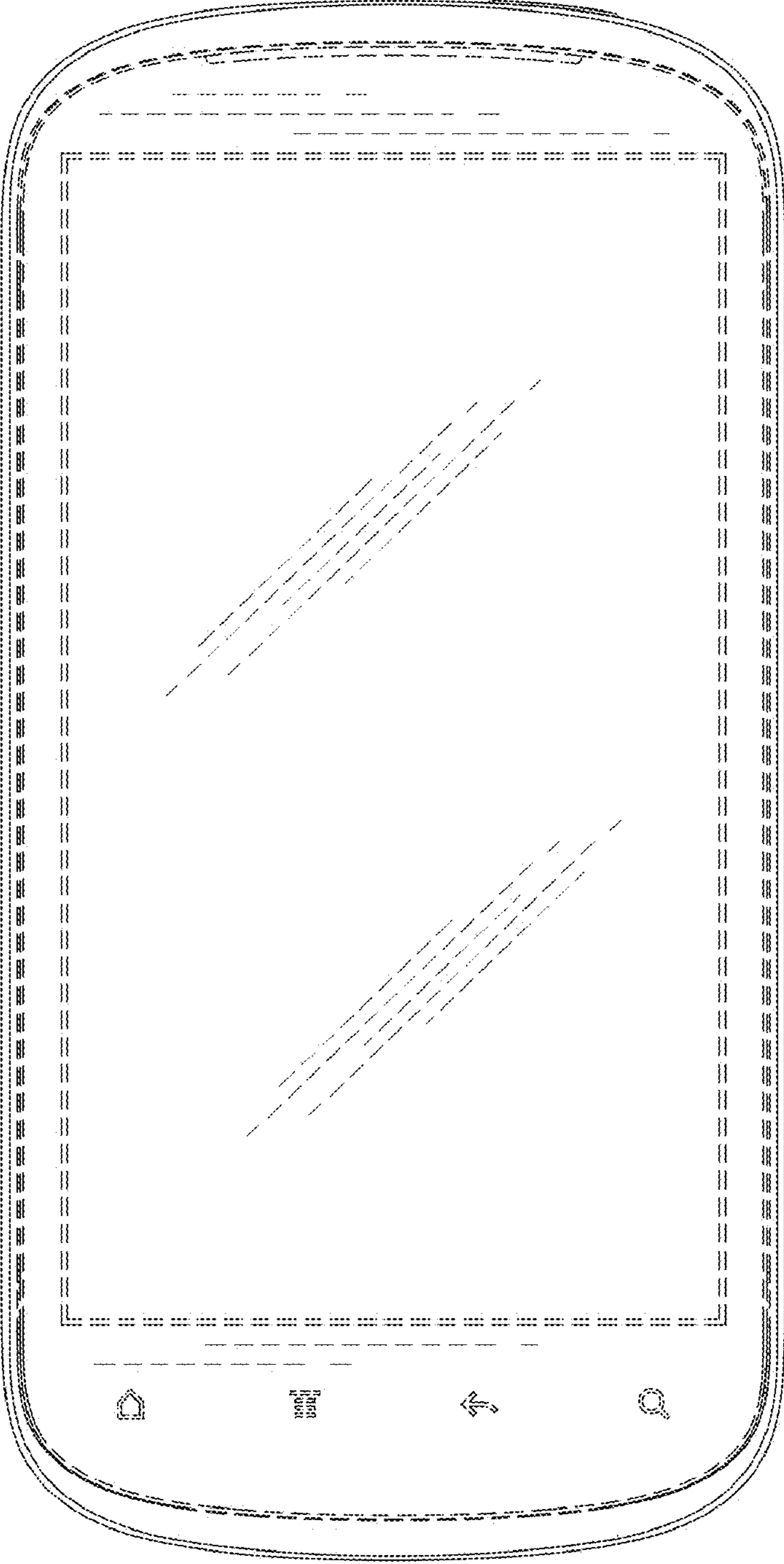


FIG. 2



FIG. 3

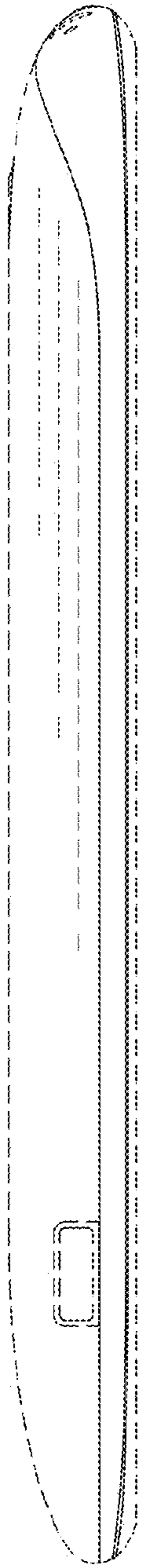


FIG. 4

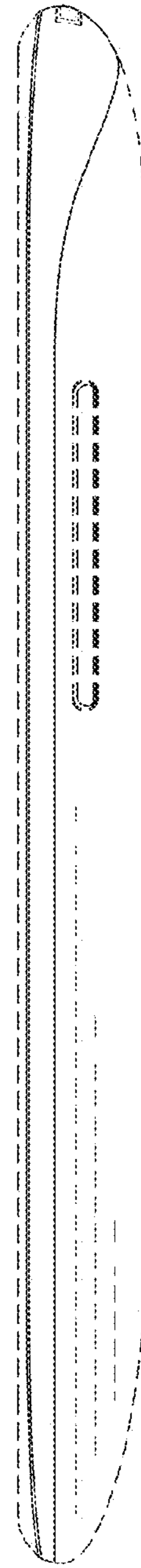


FIG. 5

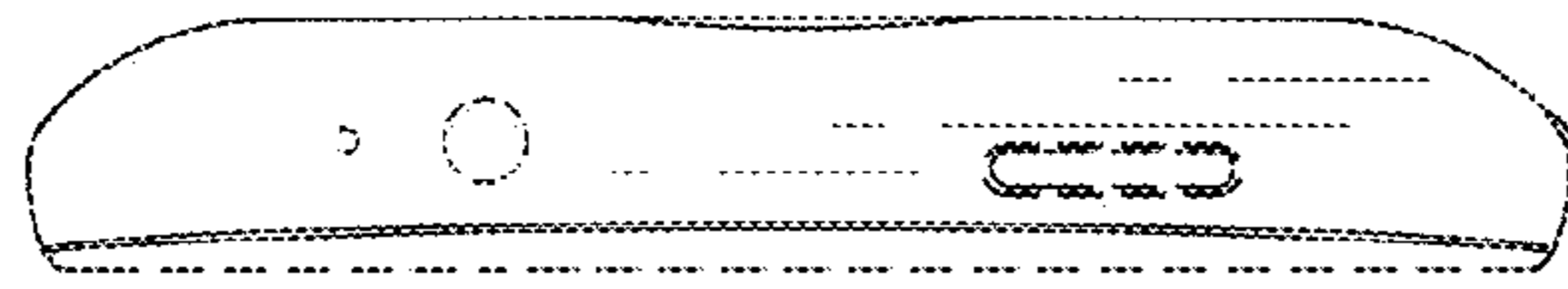


FIG. 6

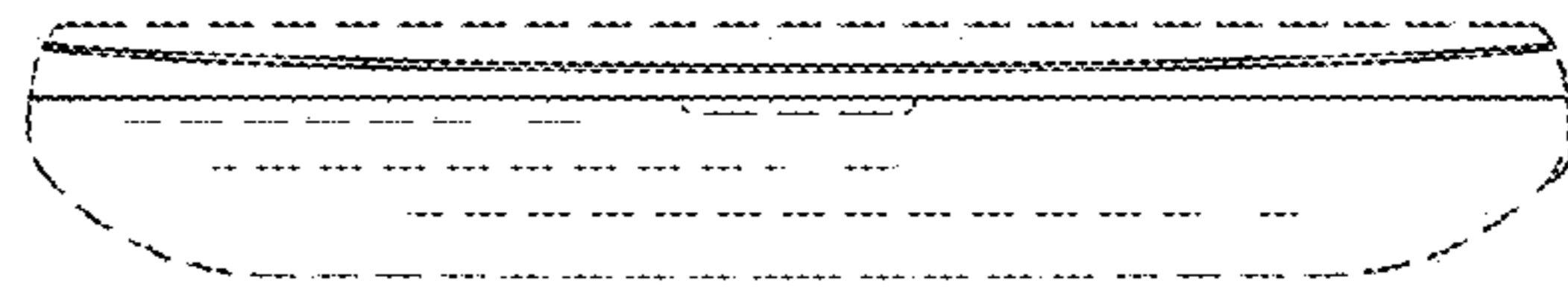


FIG. 7

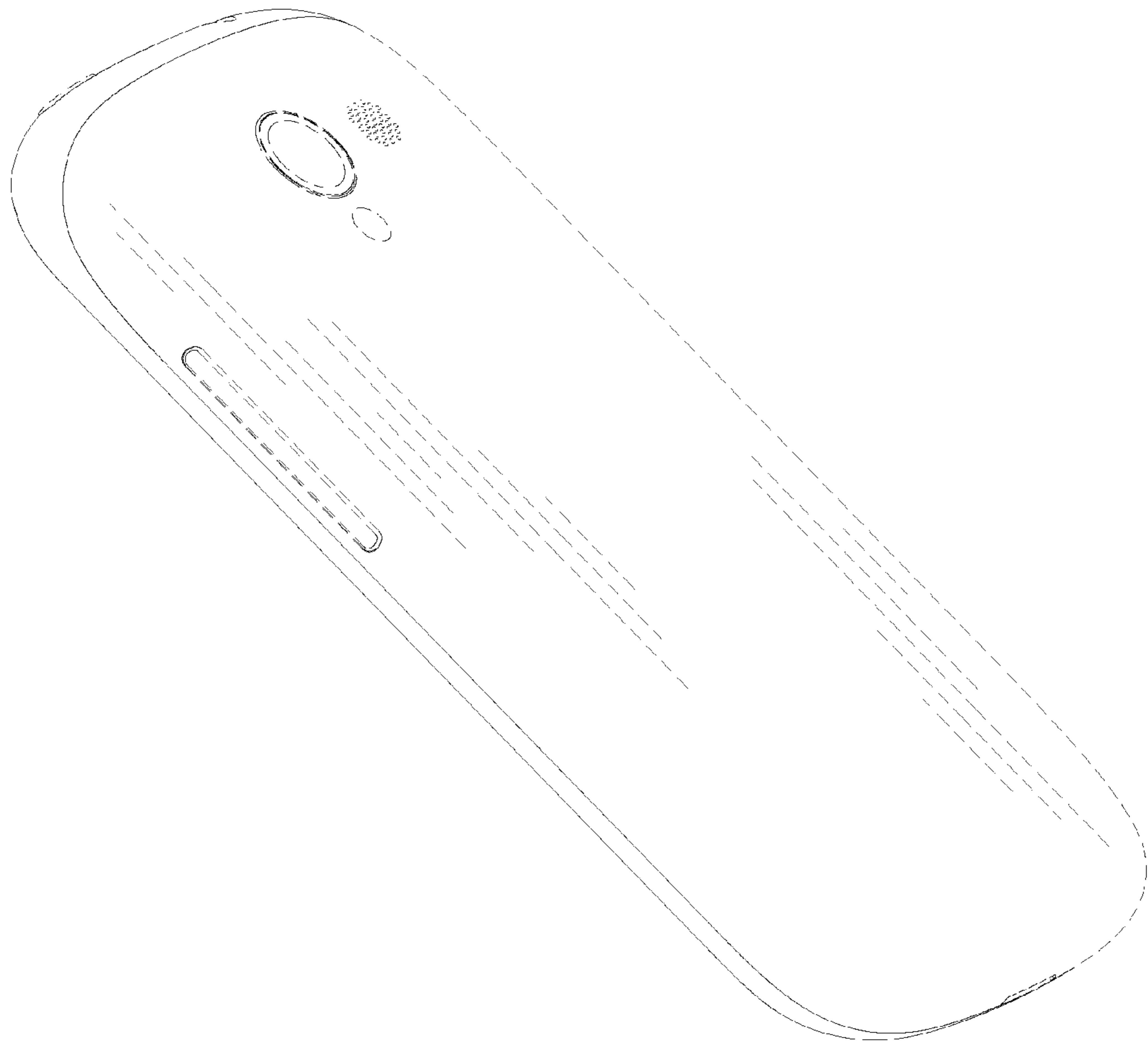


FIG. 8