



US00D679261S

(12) **United States Design Patent**
McDonald et al.

(10) **Patent No.:** **US D679,261 S**

(45) **Date of Patent:** **** *Apr. 2, 2013**

(54) **TABLETOP REMOTE CONTROL KEYPAD**

(75) Inventors: **Matthew Philip McDonald**,
Phoenixville, PA (US); **David William**
Petrillo, Bethlehem, PA (US); **Elliot G.**
Jacoby, Glenside, PA (US); **Joel S.**
Spira, Coopersburg, PA (US)

(73) Assignee: **Lutron Electronics Co., Inc.**,
Coopersburg, PA (US)

(*) Notice: This patent is subject to a terminal disclaimer.

(**) Term: **14 Years**

(21) Appl. No.: **29/404,514**

(22) Filed: **Oct. 21, 2011**

(51) **LOC (9) Cl.** **14-03**

(52) **U.S. Cl.** **D13/168**

(58) **Field of Classification Search** D13/168;
D14/218; 315/158, 295; 340/4.3, 4.42, 12.22,
340/12.23, 12.24, 12.29, 12.3, 13.2, 13.21,
340/13.24; 341/176; 345/169; 348/734;
455/352; 463/39; 700/17, 65, 83
See application file for complete search history.

(56) **References Cited**

U.S. PATENT DOCUMENTS

D297,406	S	*	8/1988	Yandek et al.	D8/353
6,930,260	B2	*	8/2005	Clegg et al.	200/5 A
D518,794	S	*	4/2006	Hedderich et al.	D13/164
D625,273	S	*	10/2010	Felegy et al.	D13/168
D626,092	S	*	10/2010	Clymer et al.	D13/168
D631,849	S	*	2/2011	Jacoby et al.	D13/168
D631,850	S	*	2/2011	Jacoby et al.	D13/168
D631,852	S	*	2/2011	Clymer et al.	D13/168
D633,448	S	*	3/2011	Biery et al.	D13/171
D638,375	S	*	5/2011	Clymer et al.	D13/168
D638,805	S	*	5/2011	Clymer et al.	D13/168

2008/0111491	A1	*	5/2008	Spira	315/158
2008/0136683	A1	*	6/2008	Swatsky et al.	341/23
2009/0290336	A1	*	11/2009	Senzaki et al.	362/231
2011/0266122	A1	*	11/2011	Zaharchuk et al.	200/308

OTHER PUBLICATIONS

Crestron Electronics, Inc., Cameo Keypads Specification Sheet, Jul. 2006, 2 pages.

Crestron Electronics, Inc., Cameo Keypads Operations and Installation Guide, Feb. 2006, pp. front cover, i, 1-8, rear cover.

* cited by examiner

Primary Examiner — Selina Sikder

(74) *Attorney, Agent, or Firm* — Mark E. Rose; Philip N. Smith; Bridget L. McDonough

(57) **CLAIM**

We claim the ornamental design for a tabletop remote control keypad, as shown and described.

DESCRIPTION

FIG. 1 is a perspective view of a tabletop remote control keypad according to a first embodiment of our new design.

FIG. 2 is a front view thereof.

FIG. 3 is a left side view thereof.

FIG. 4 is a right side view thereof.

FIG. 5 is a top view thereof.

FIG. 6 is a bottom view thereof.

FIG. 7 is a perspective view of a tabletop remote control keypad according to a second embodiment of our new design.

FIG. 8 is a front view thereof.

FIG. 9 is a left side view thereof.

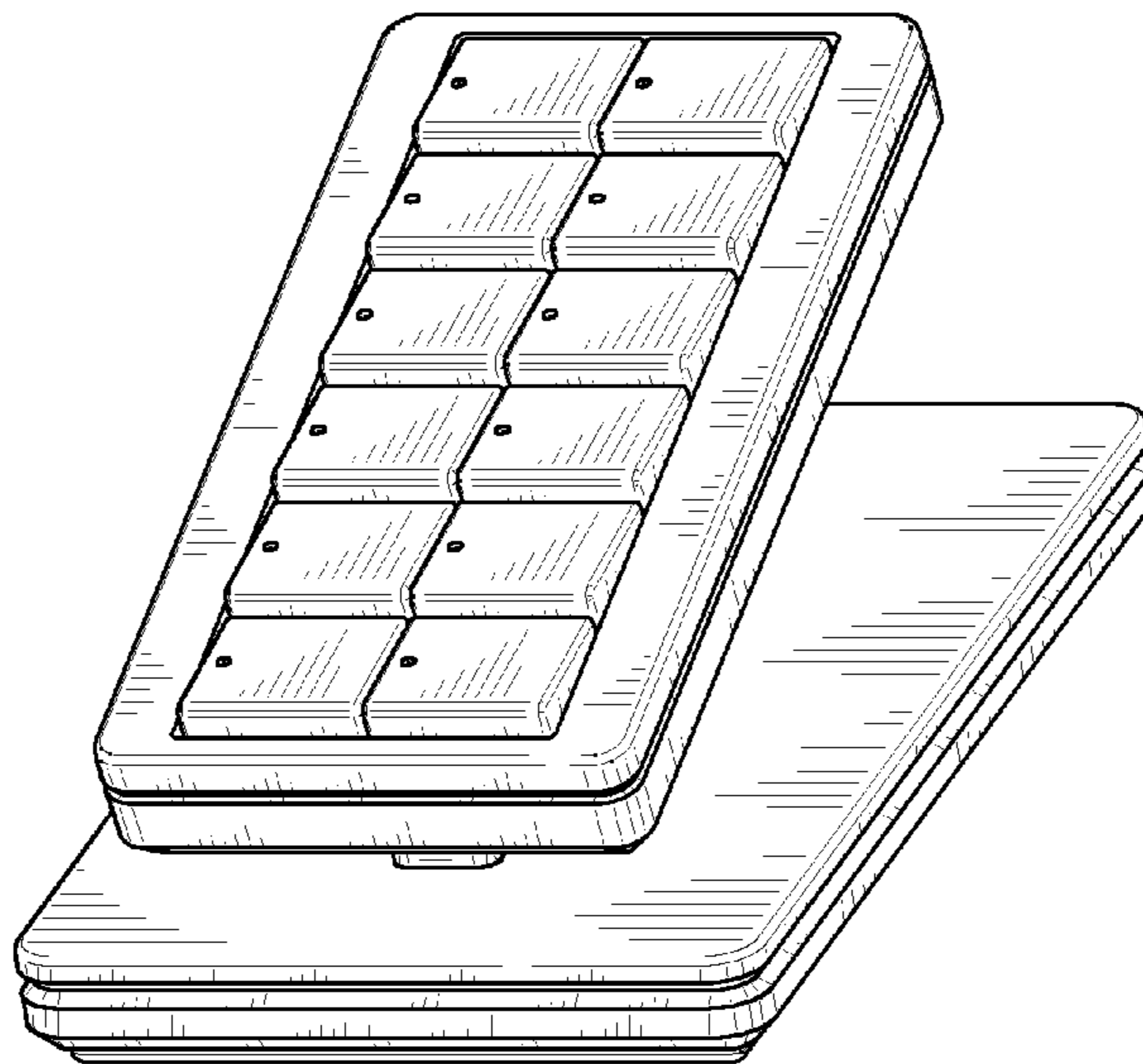
FIG. 10 is a right side view thereof.

FIG. 11 is a top view thereof; and,

FIG. 12 is a bottom view thereof.

The rear views form no part of the design and are omitted.

1 Claim, 8 Drawing Sheets



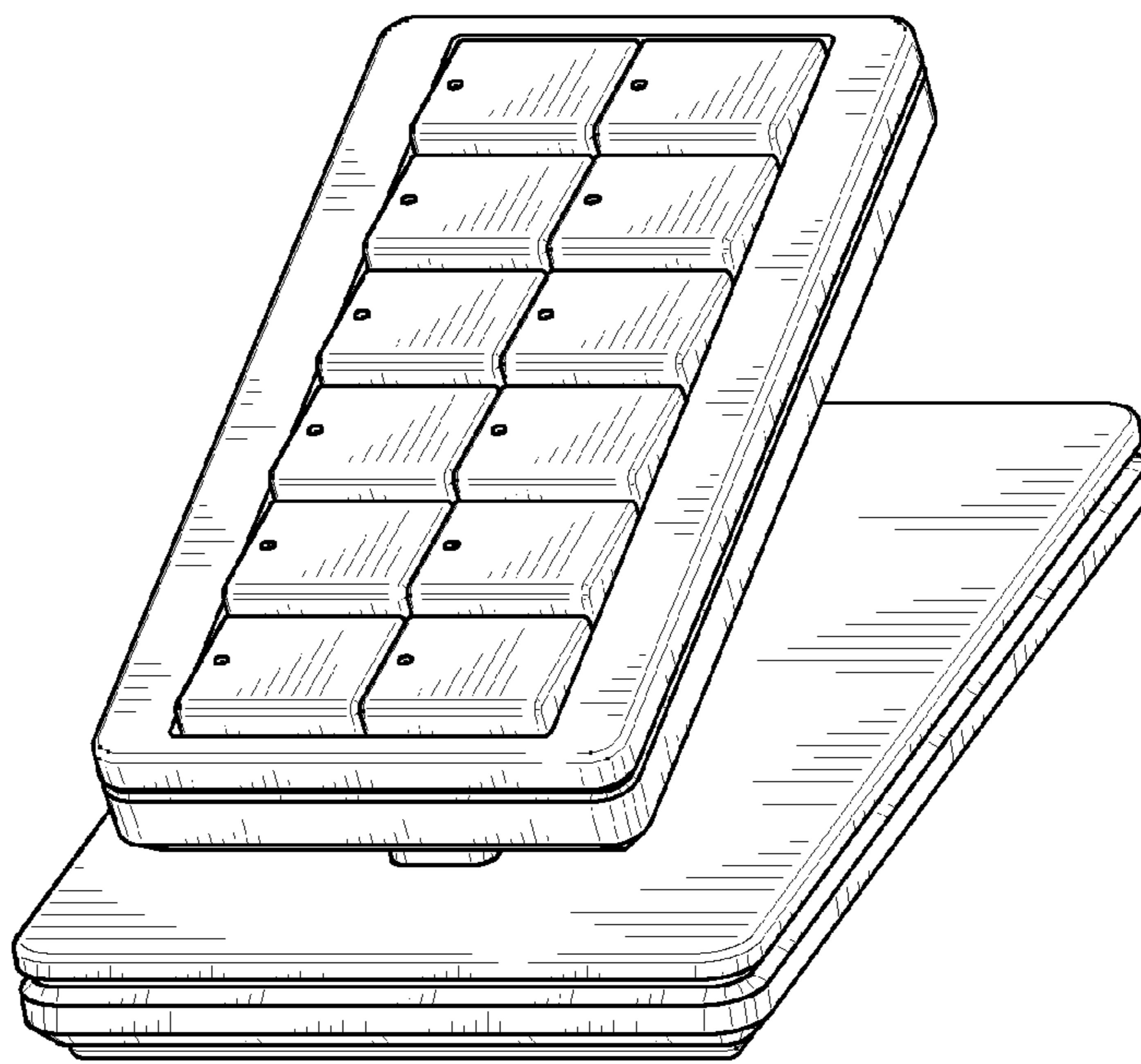


Fig. 1

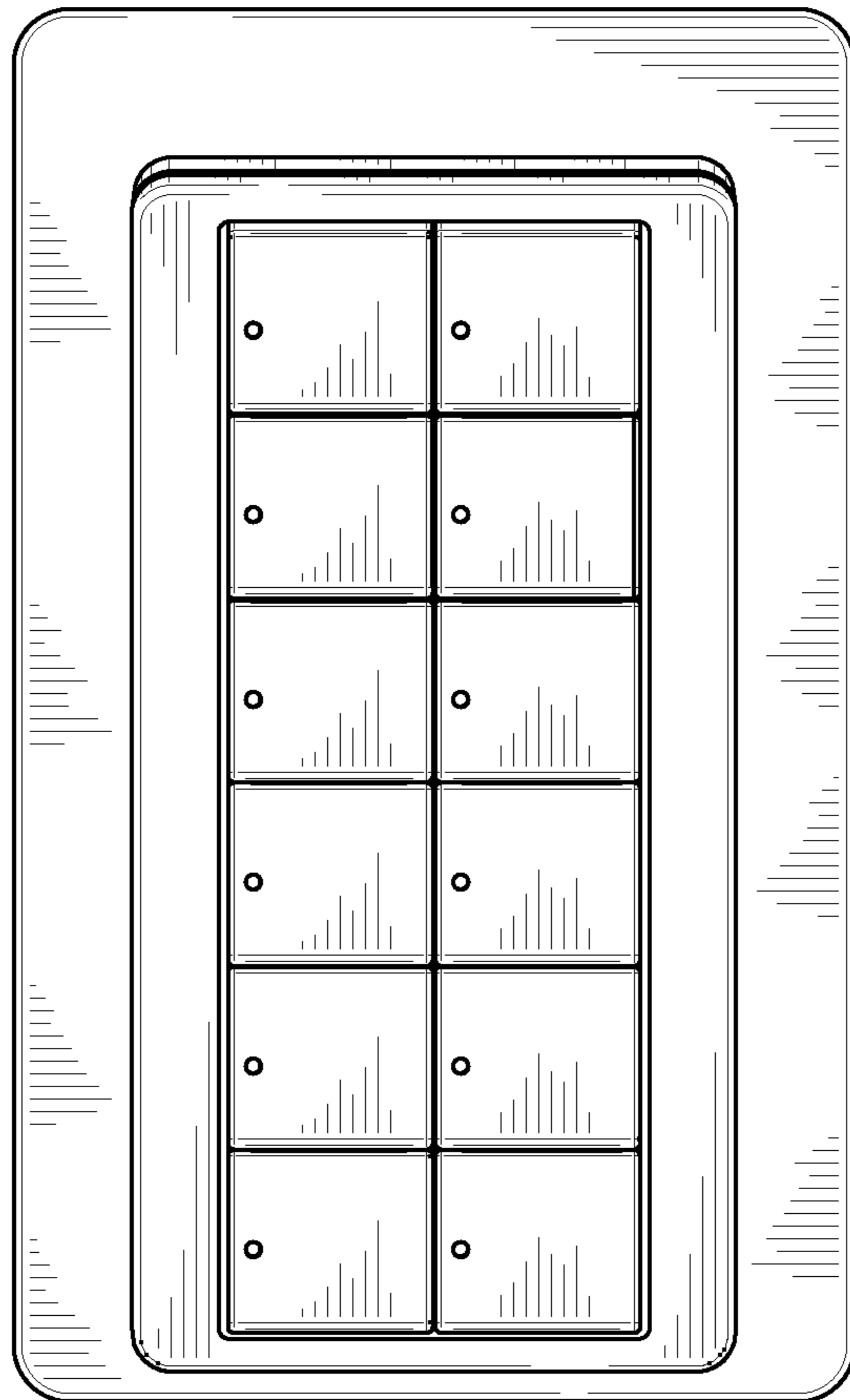


Fig. 2

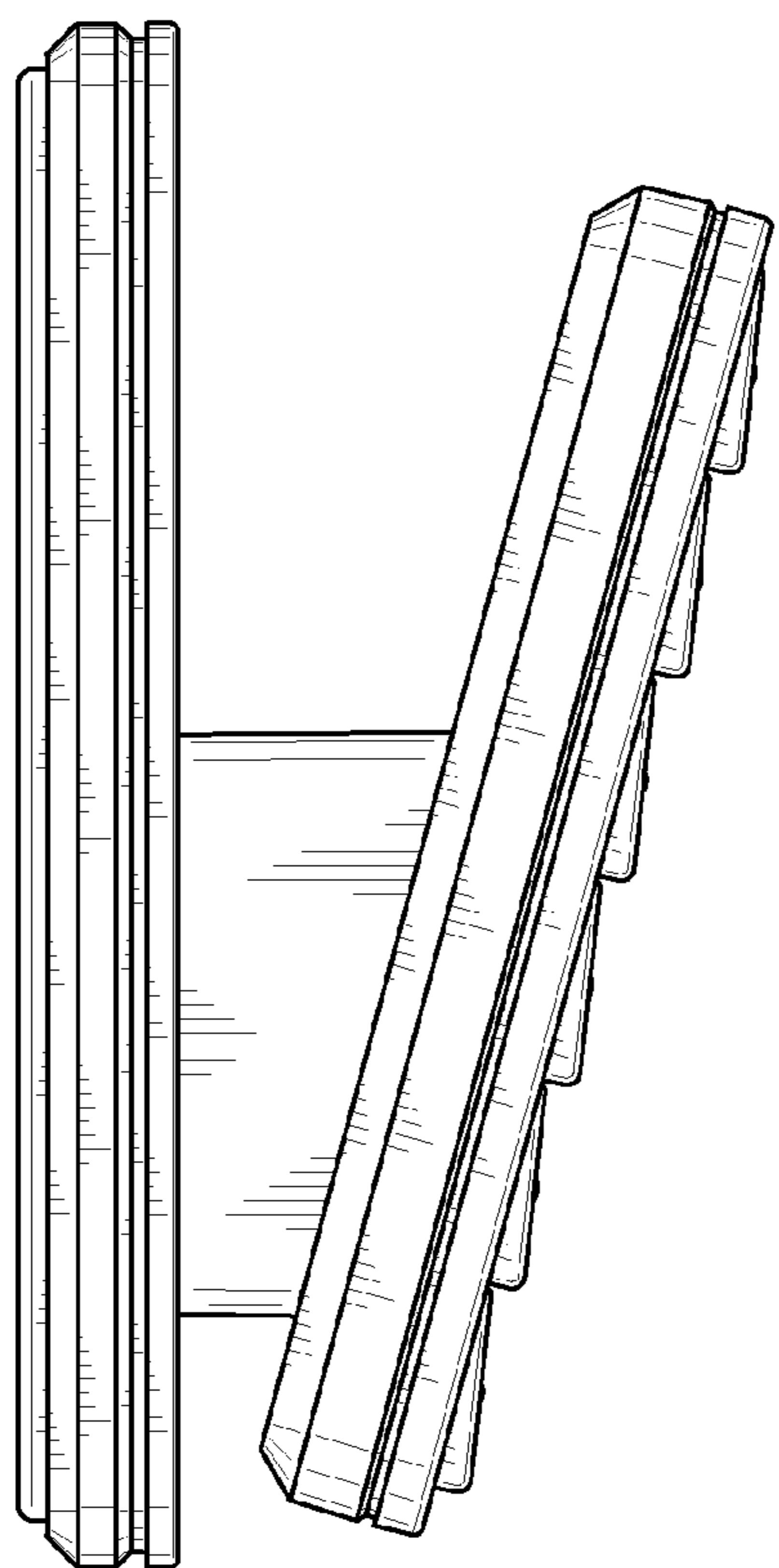


Fig. 3

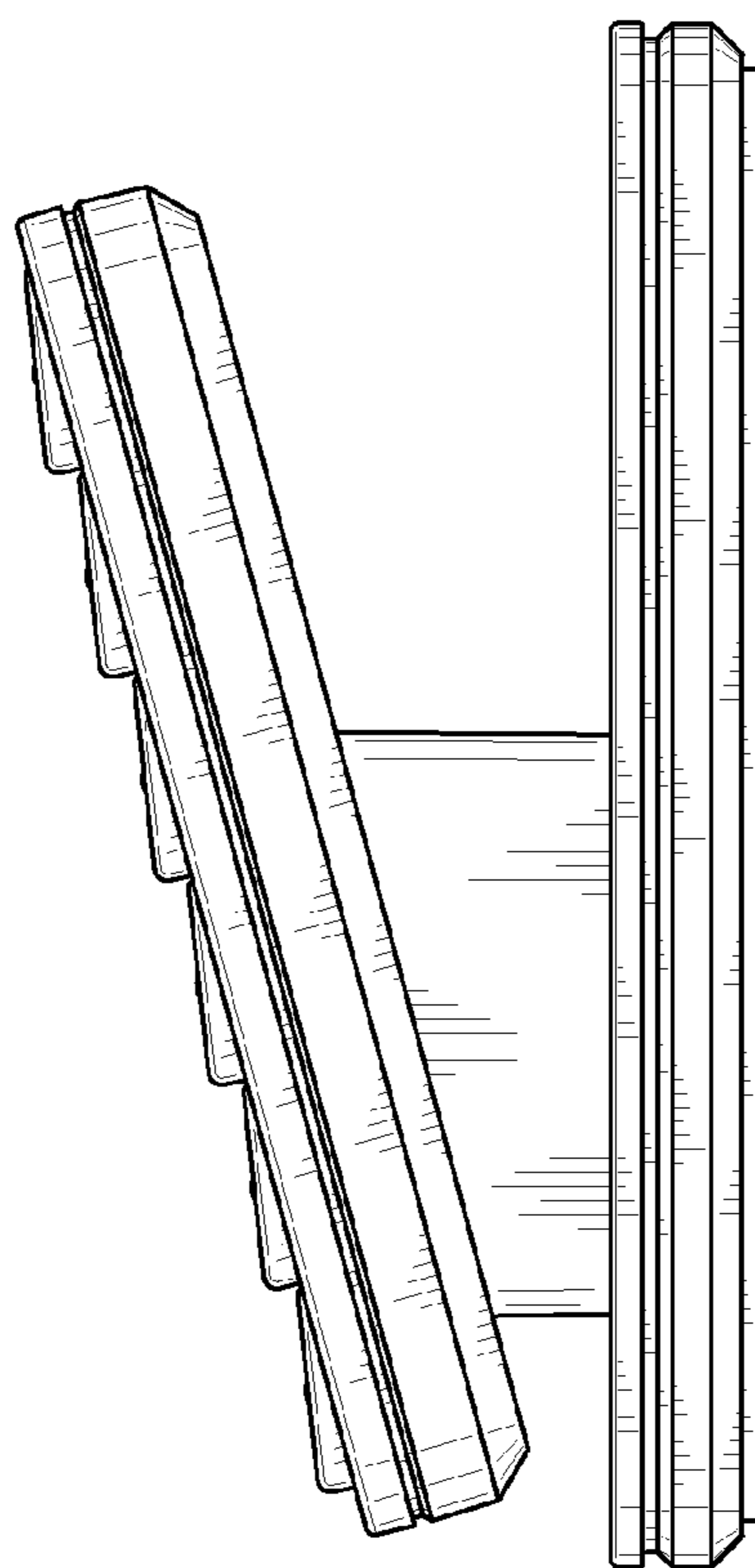


Fig. 4

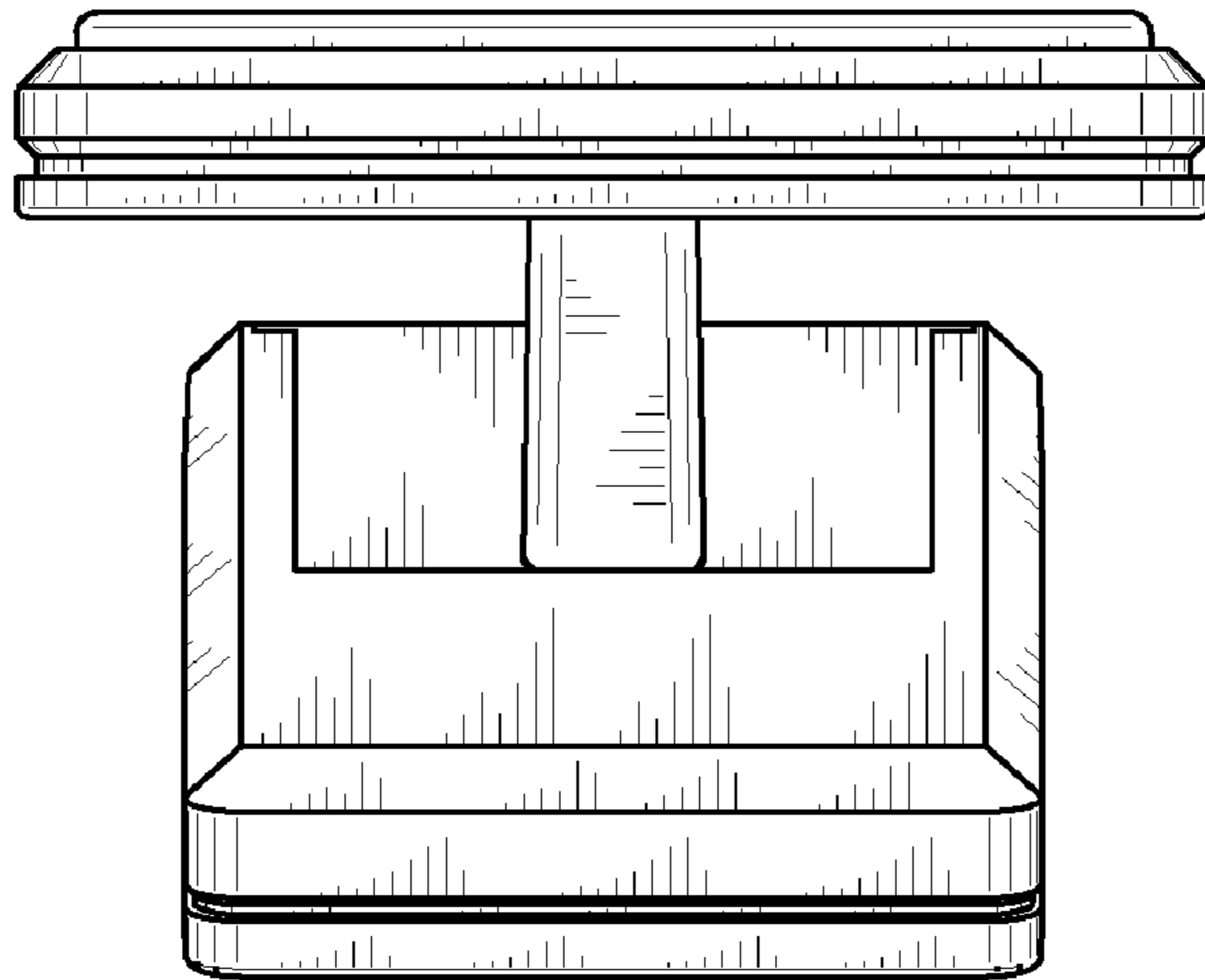


Fig. 5

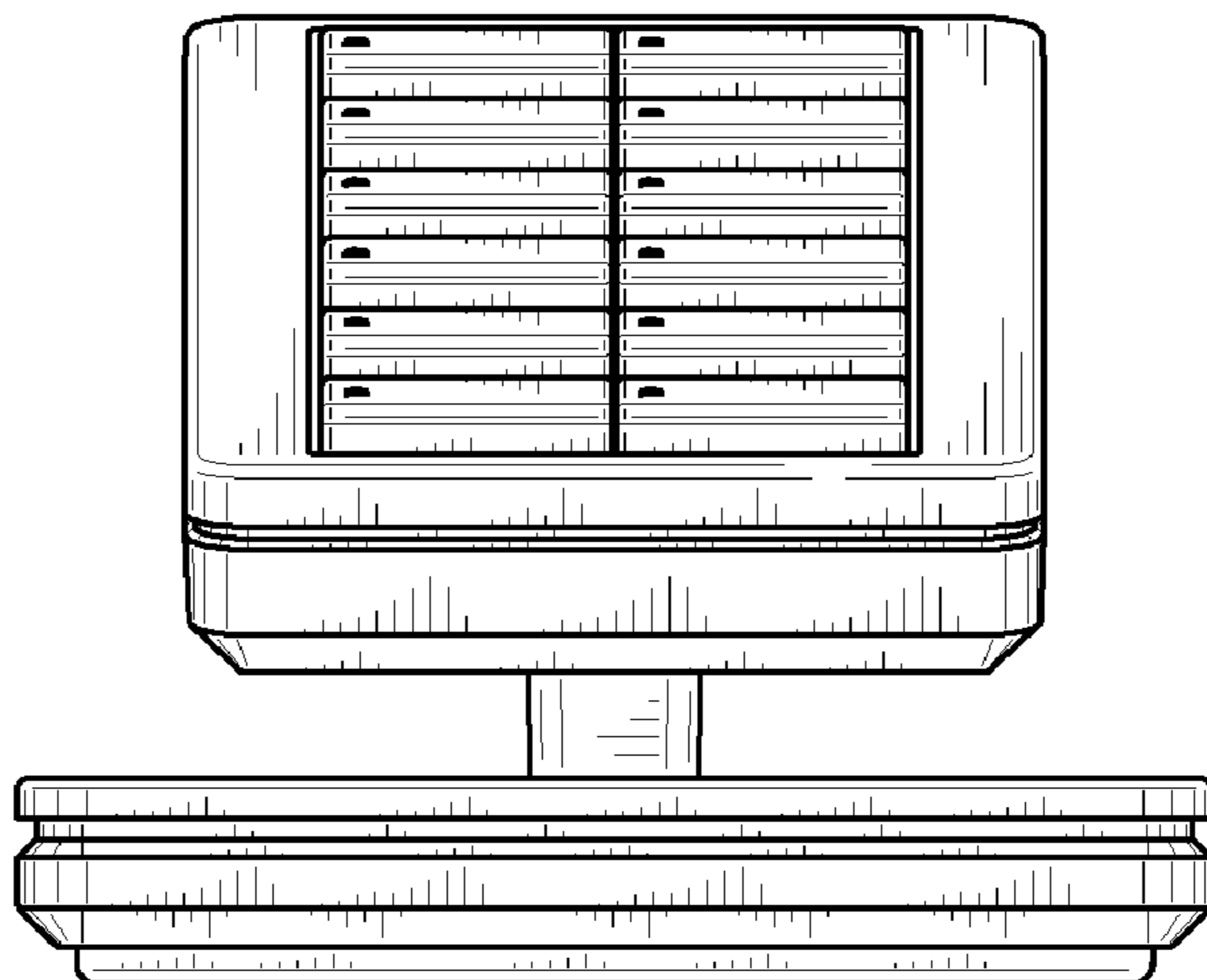


Fig. 6

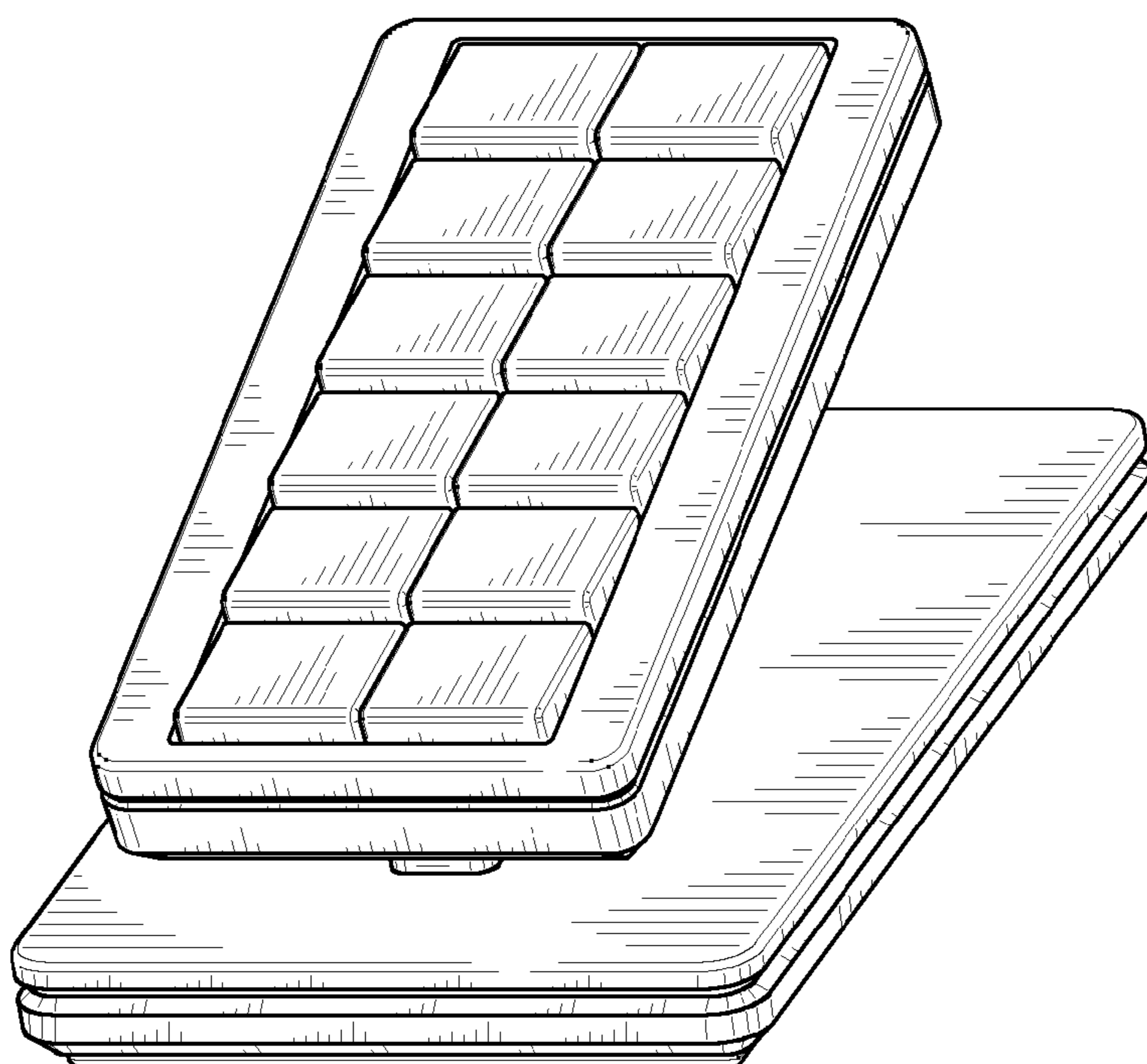


Fig. 7

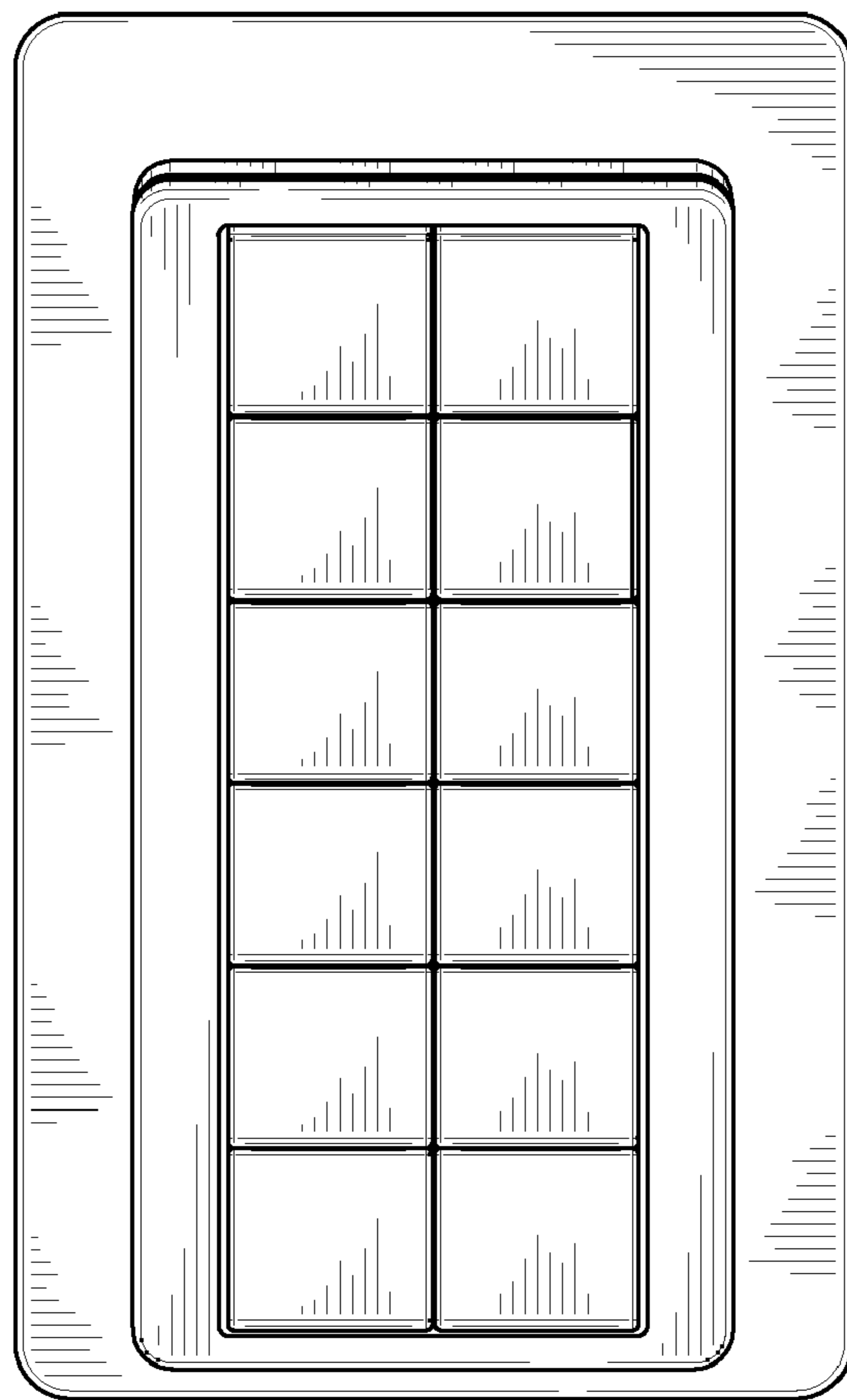


Fig. 8

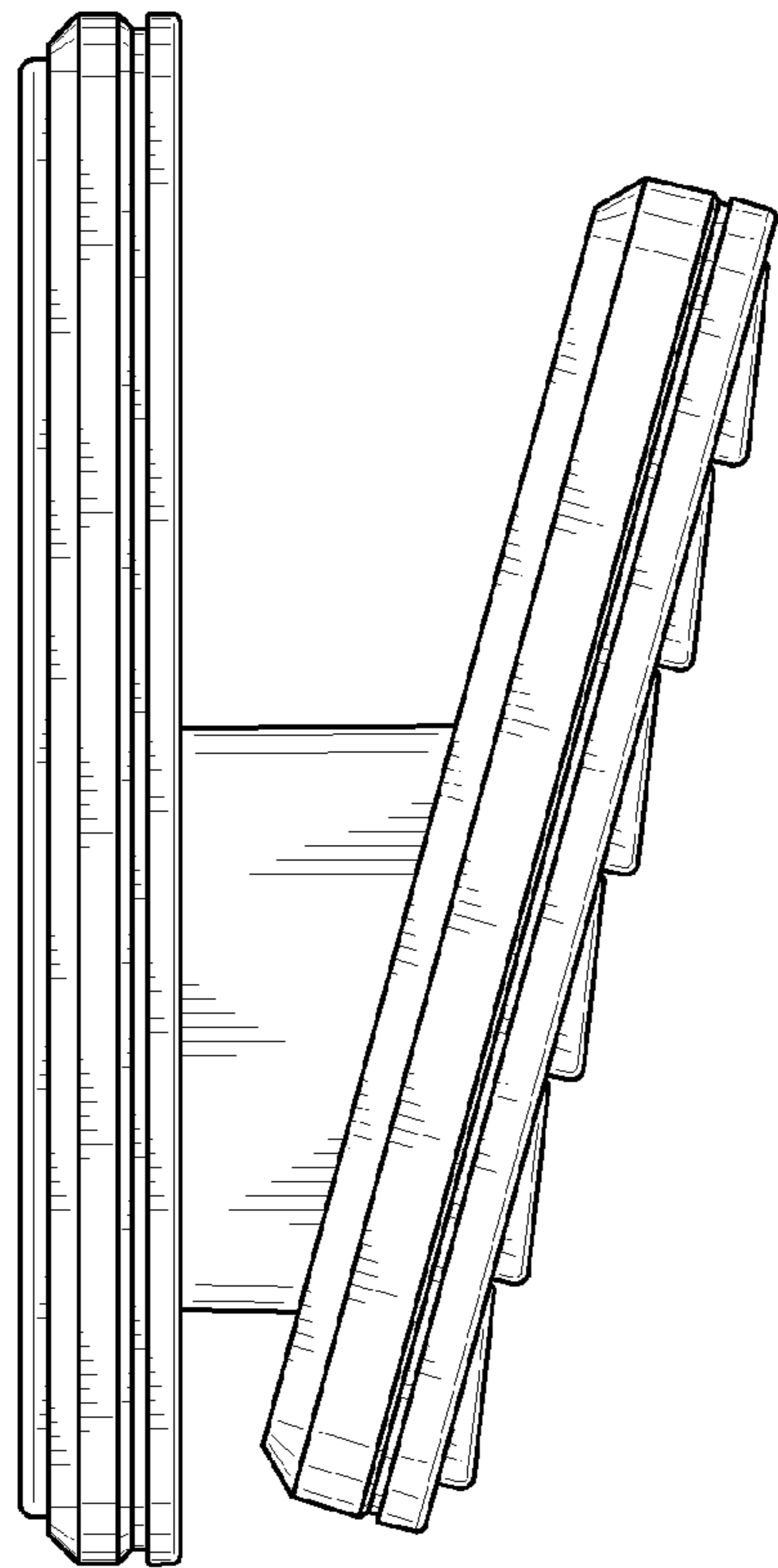


Fig. 9

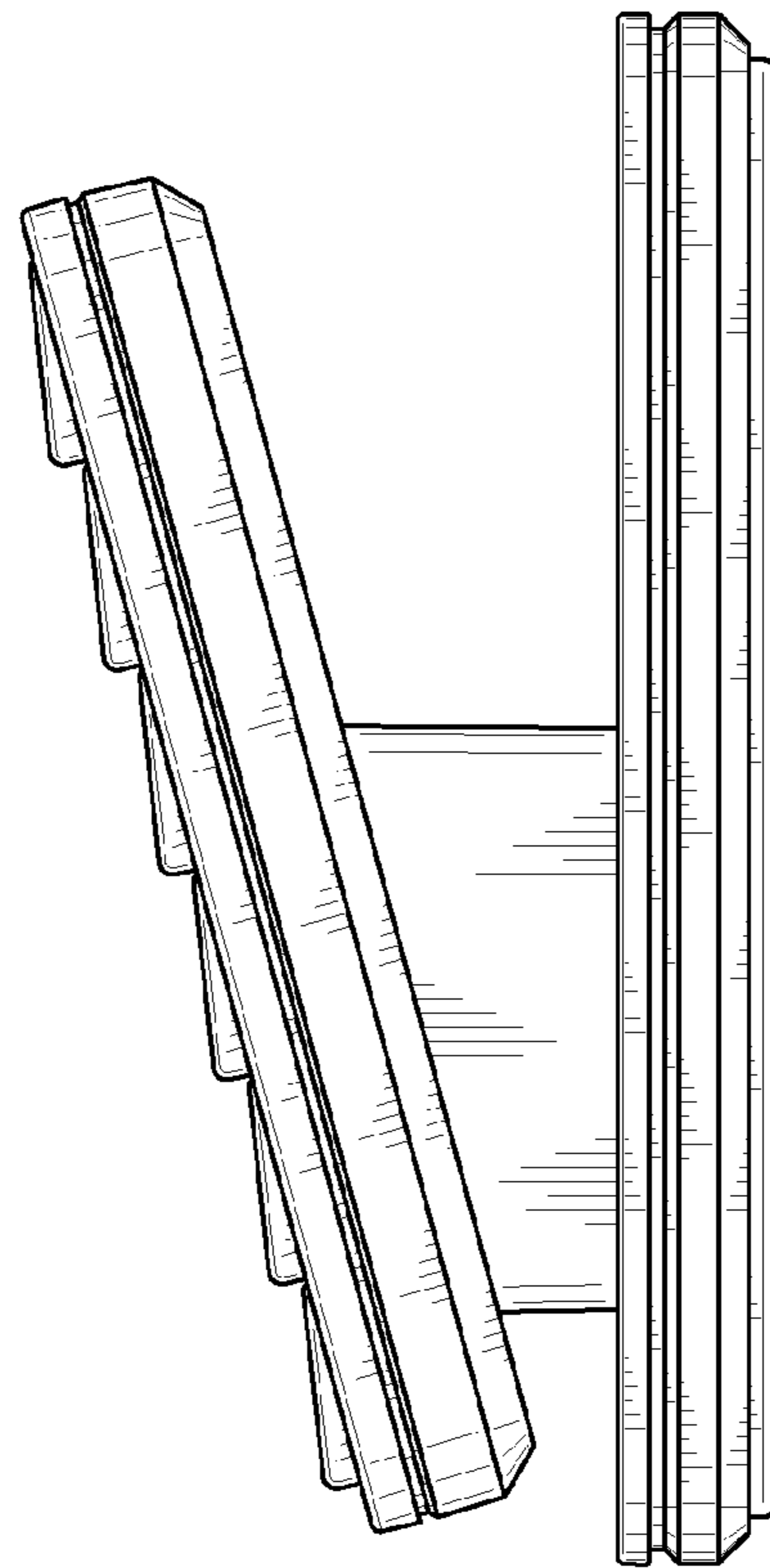


Fig. 10

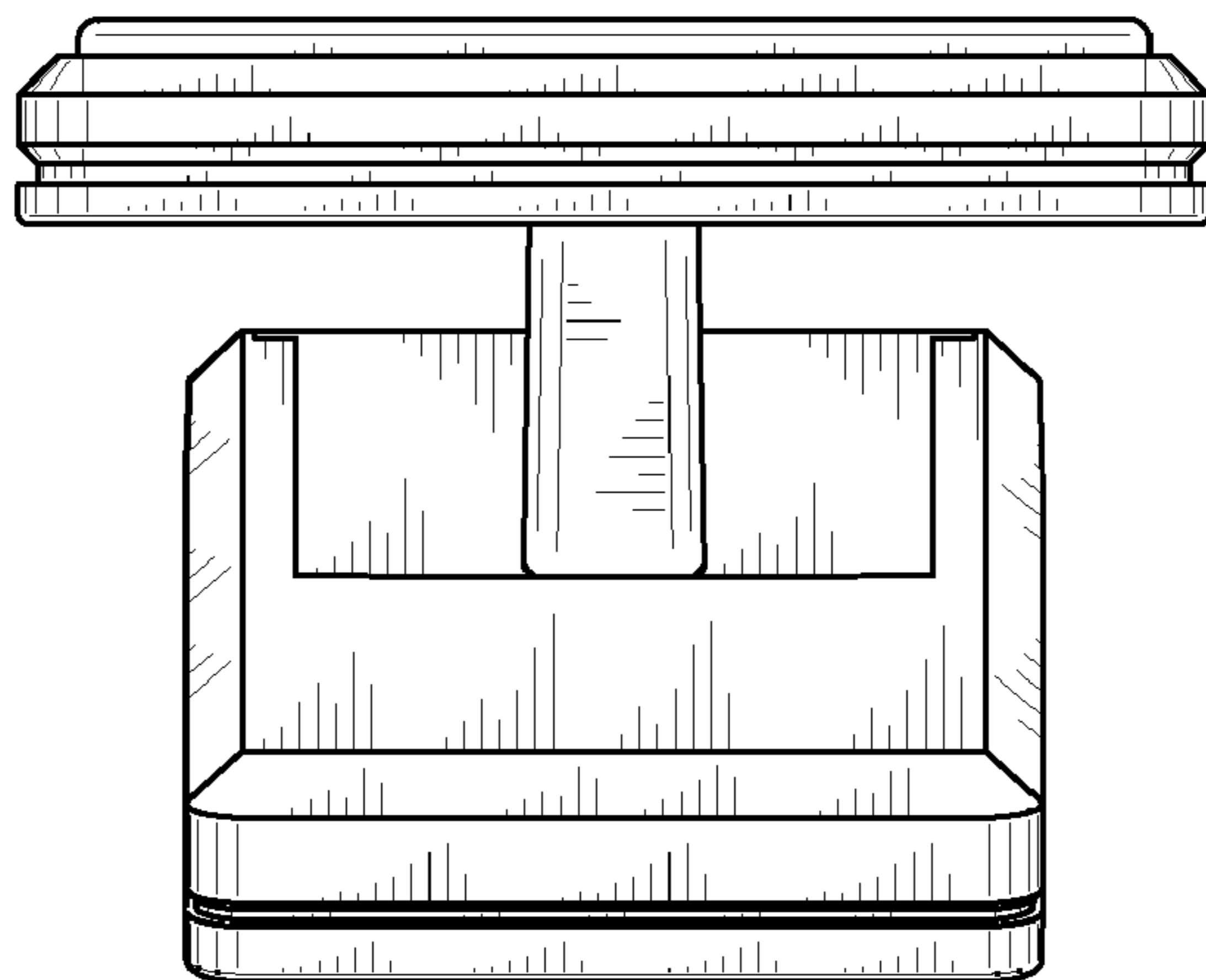


Fig. 11

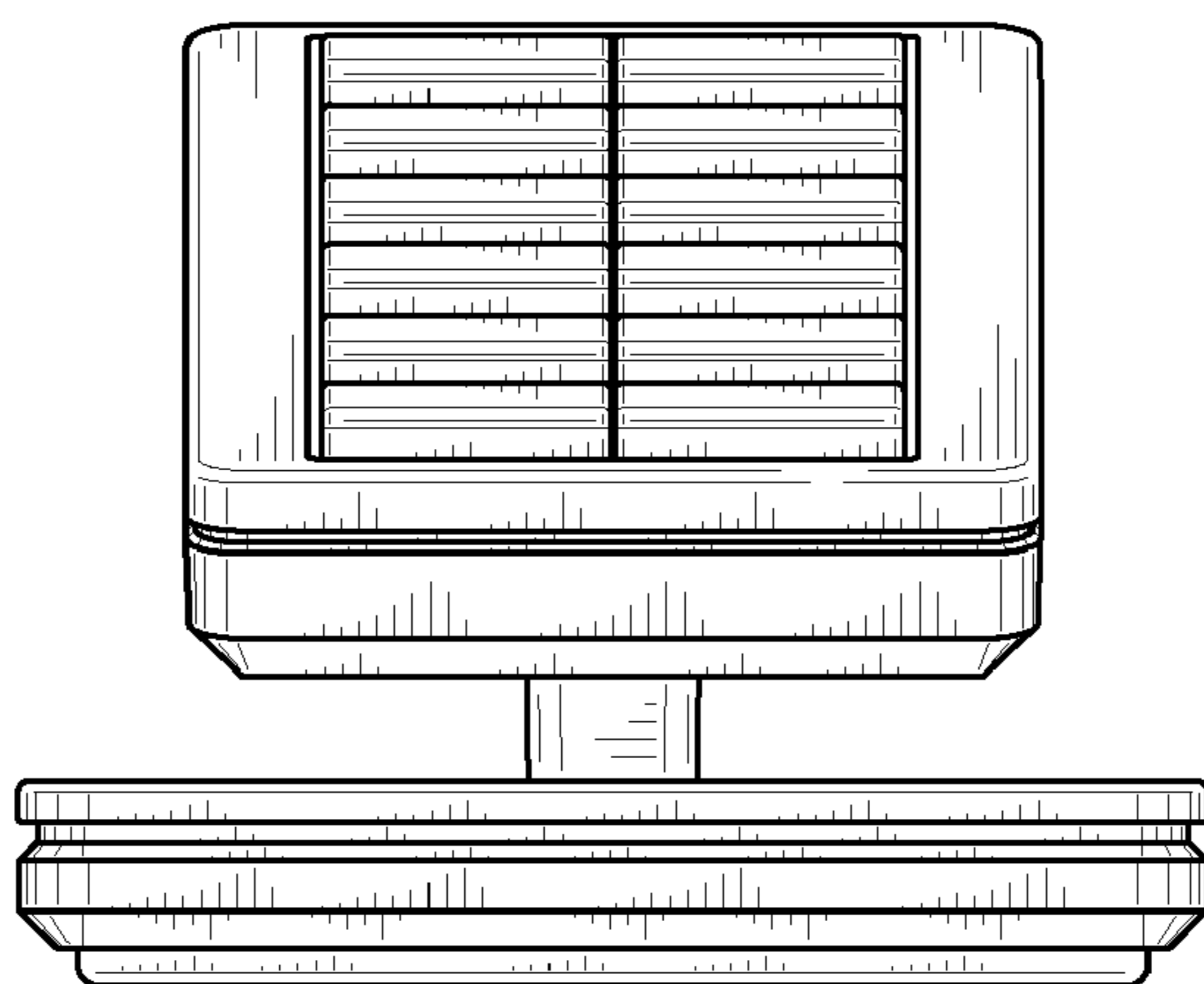


Fig. 12