



US00D679260S

(12) **United States Design Patent**  
**Franchini**

(10) **Patent No.:** **US D679,260 S**

(45) **Date of Patent:** **\*\* Apr. 2, 2013**

(54) **PROGRAMMABLE CONTROL UNIT FOR A WATERING SYSTEM**

(75) Inventor: **Gaetano Franchini**, Fiume Veneto (IT)

(73) Assignee: **Claber S.p.A.**, Fiume Veneto (PN) (IT)

(\*\*) Term: **14 Years**

(21) Appl. No.: **29/415,172**

(22) Filed: **Mar. 8, 2012**

(30) **Foreign Application Priority Data**

Sep. 8, 2011 (EM) ..... 001914599

(51) **LOC (9) Cl.** ..... **13-03**

(52) **U.S. Cl.** ..... **D13/162.1**

(58) **Field of Classification Search** ..... D13/162,  
D13/162.1; D10/40; D23/245; 137/78.3,  
137/624.11, 624.18; 239/69, 70; 700/284

See application file for complete search history.

(56) **References Cited**

**U.S. PATENT DOCUMENTS**

4,633,905 A \* 1/1987 Wang ..... 137/624.11  
4,807,664 A \* 2/1989 Wilson et al. .... 137/624.11  
D304,224 S \* 10/1989 Wilson et al. .... D23/245  
5,101,859 A \* 4/1992 Roman ..... 137/624.18

5,135,168 A \* 8/1992 Wang ..... 239/70  
5,826,619 A \* 10/1998 Roman ..... 137/624.11  
D430,044 S \* 8/2000 Clivio ..... D10/40  
D467,187 S \* 12/2002 Clivio ..... D10/40  
D477,287 S \* 7/2003 Roman ..... D13/162  
D485,502 S \* 1/2004 Clivio ..... D10/40  
6,719,010 B1 \* 4/2004 Yi-Chang ..... 137/624.11  
D546,772 S \* 7/2007 Venegas et al. .... D13/162  
8,104,509 B2 \* 1/2012 Leer et al. .... 137/624.11  
2009/0001193 A1 \* 1/2009 Parsons et al. .... 239/69  
2010/0230510 A1 \* 9/2010 Wilson ..... 239/70

\* cited by examiner

*Primary Examiner* — Selina Sikder

(74) *Attorney, Agent, or Firm* — Jacobson Holman PLLC

(57) **CLAIM**

I claim the ornamental design for a “programmable control unit for a watering system,” as shown and described.

**DESCRIPTION**

FIG. 1 shows a perspective view of a control unit with opened cover;

FIG. 2 shows a perspective view of the control unit with closed cover;

FIG. 3 shows a front view of the control unit of FIG. 1;

FIG. 4 shows a front view of the control unit of FIG. 2;

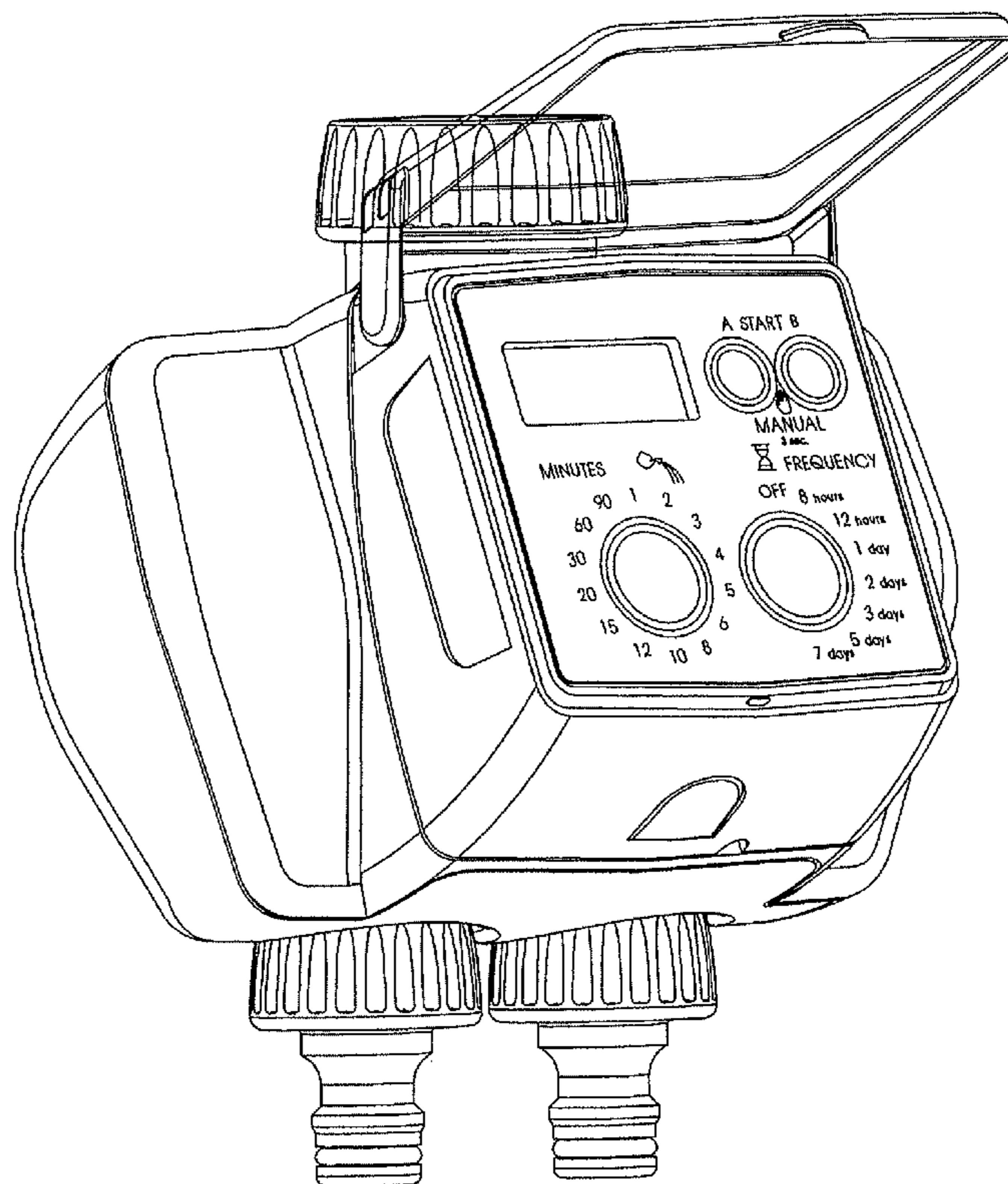
FIG. 5 shows a lateral view of the control unit of FIG. 2;

FIG. 6 shows a top view of the control unit of FIG. 2;

FIG. 7 shows a bottom view of the control unit of FIG. 2; and,

FIG. 8 shows a back view of the control unit of FIG. 2.

**1 Claim, 8 Drawing Sheets**



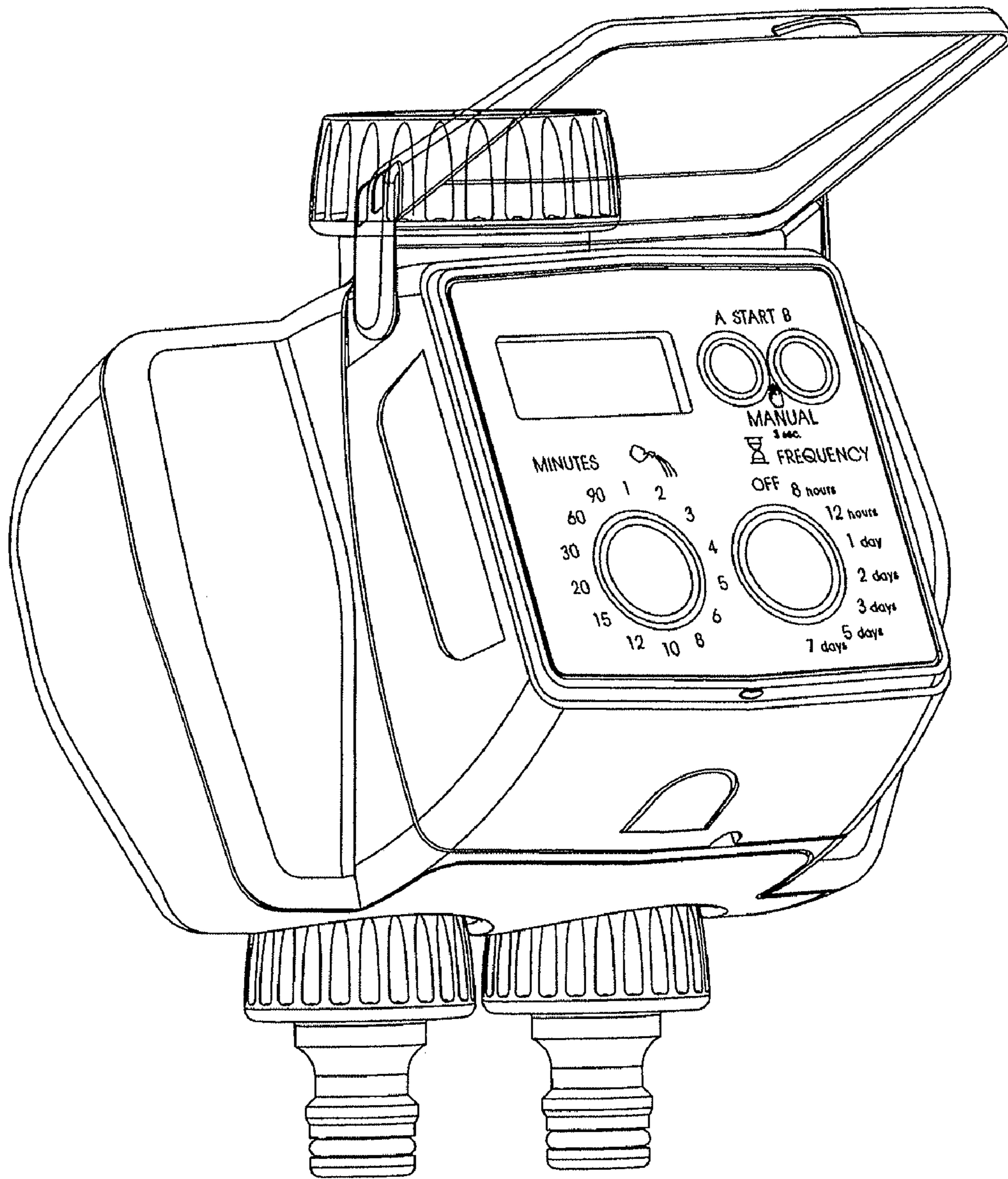


FIG.1

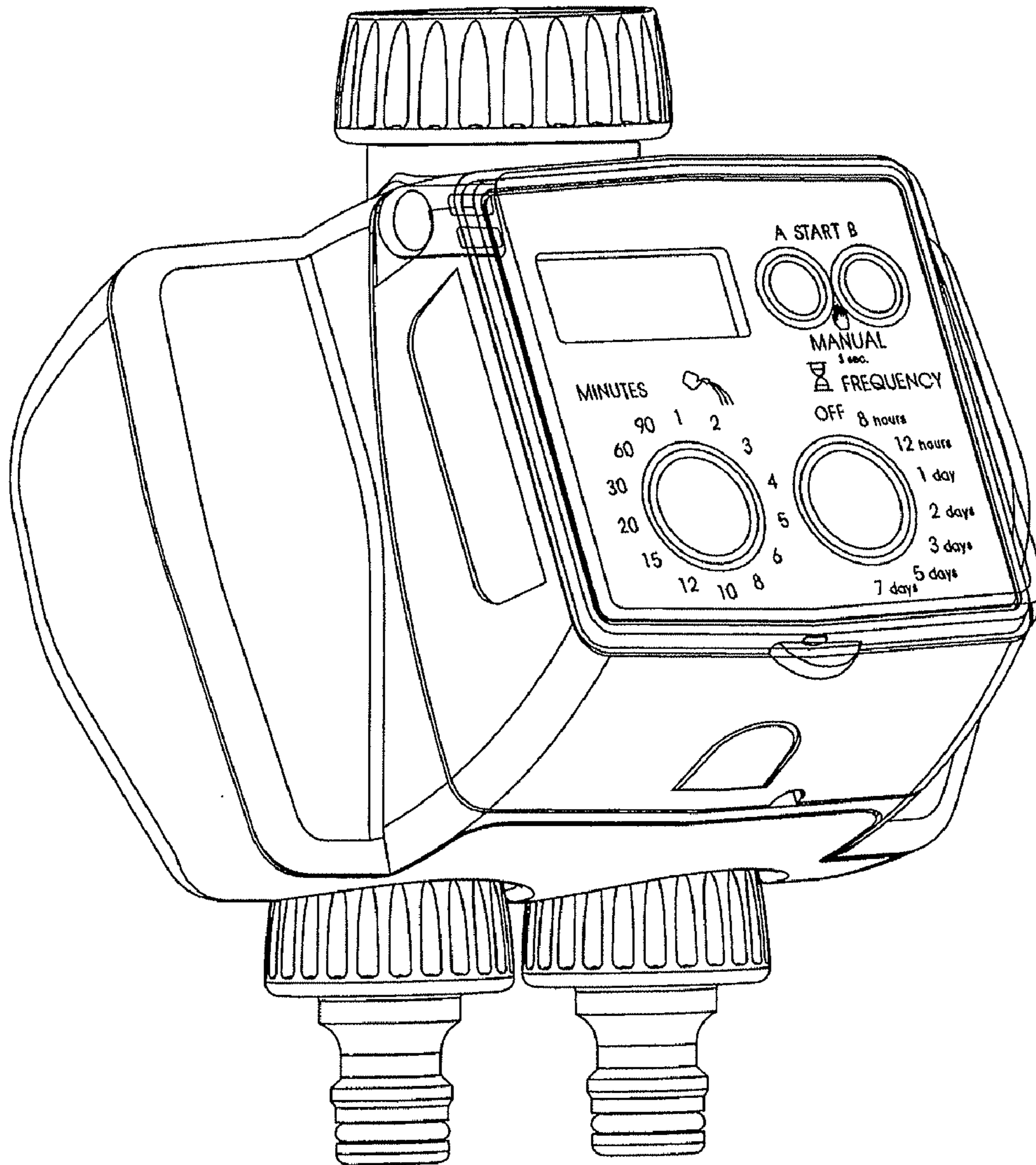


FIG.2



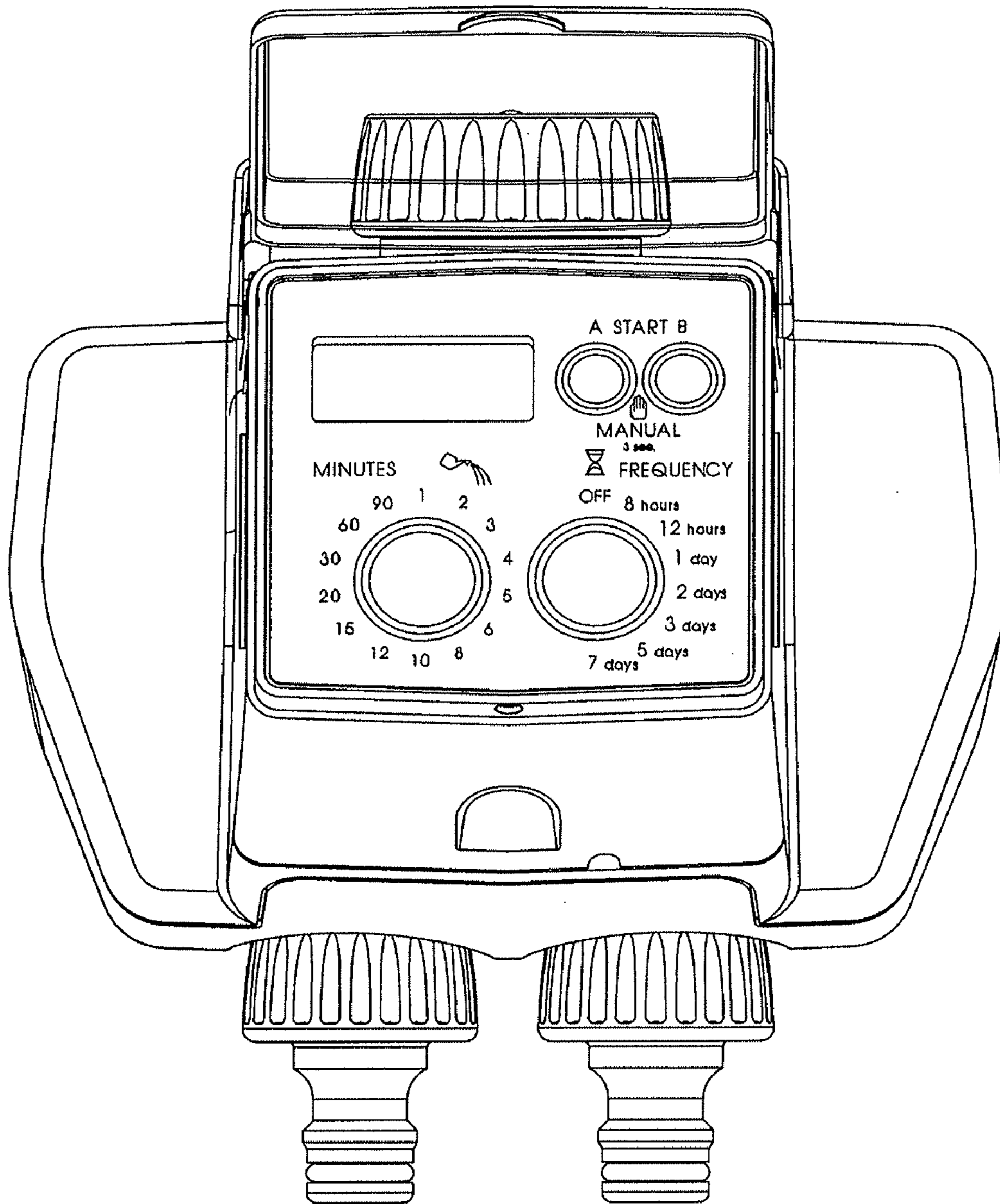


FIG.3

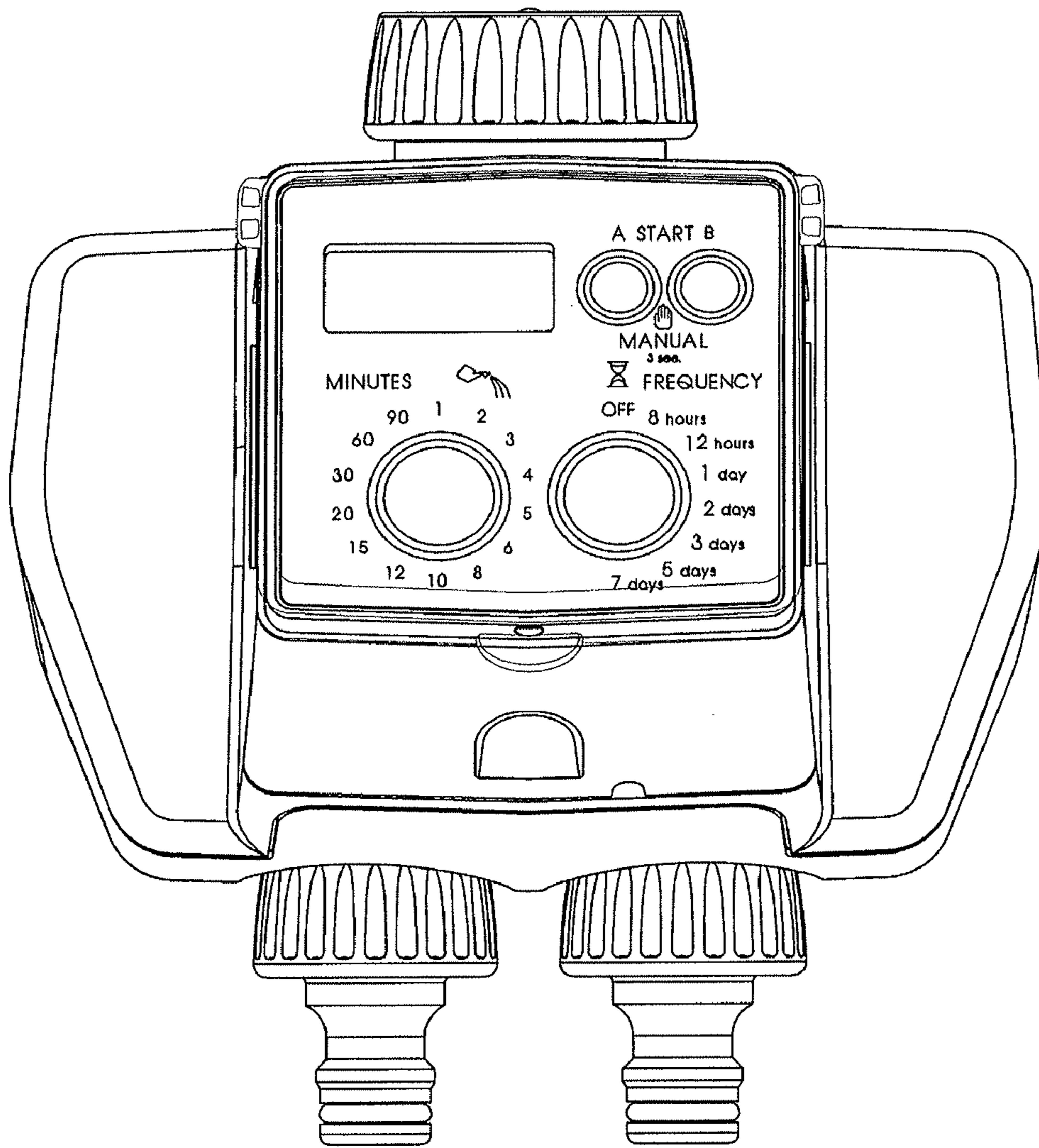


FIG.4

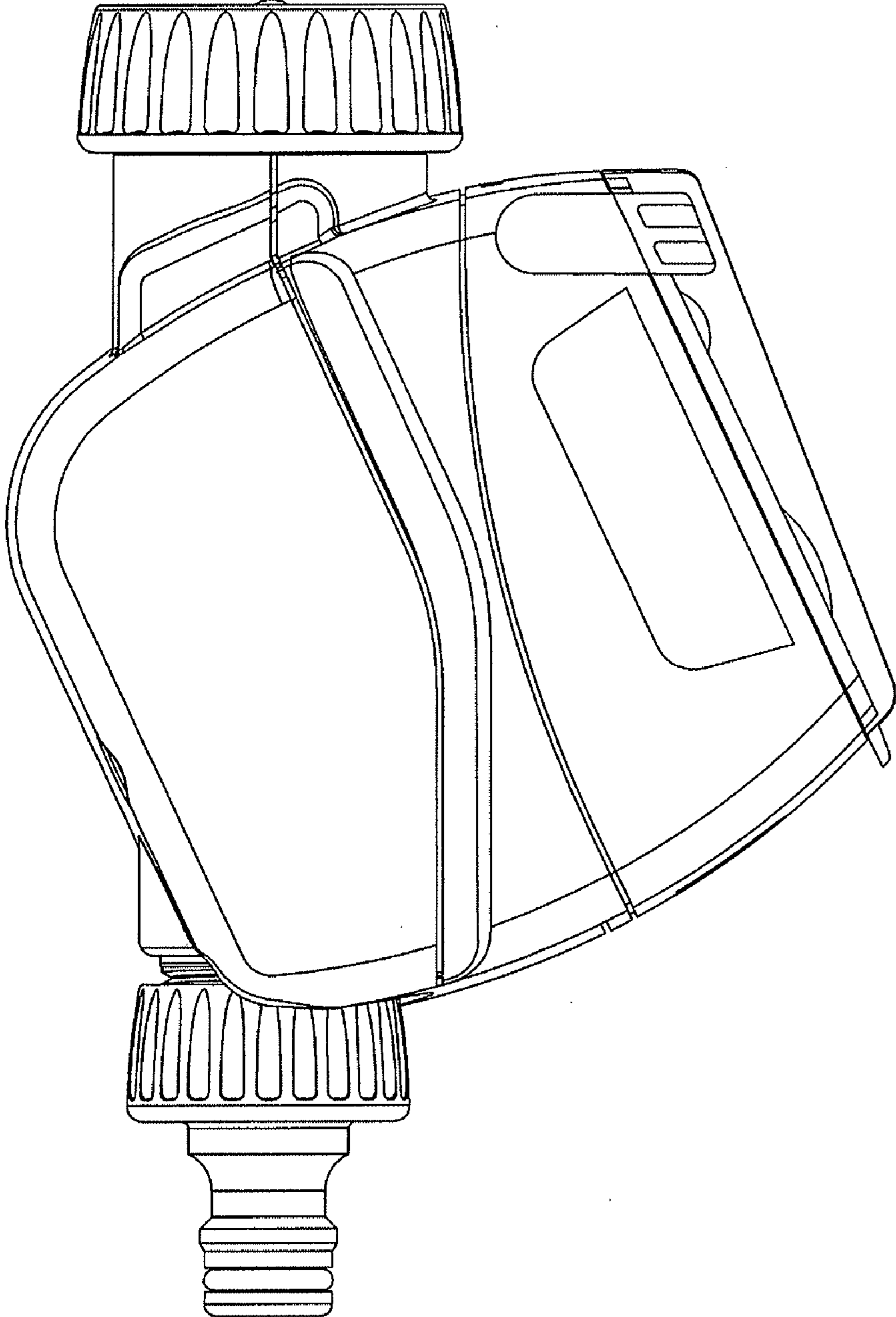


FIG.5

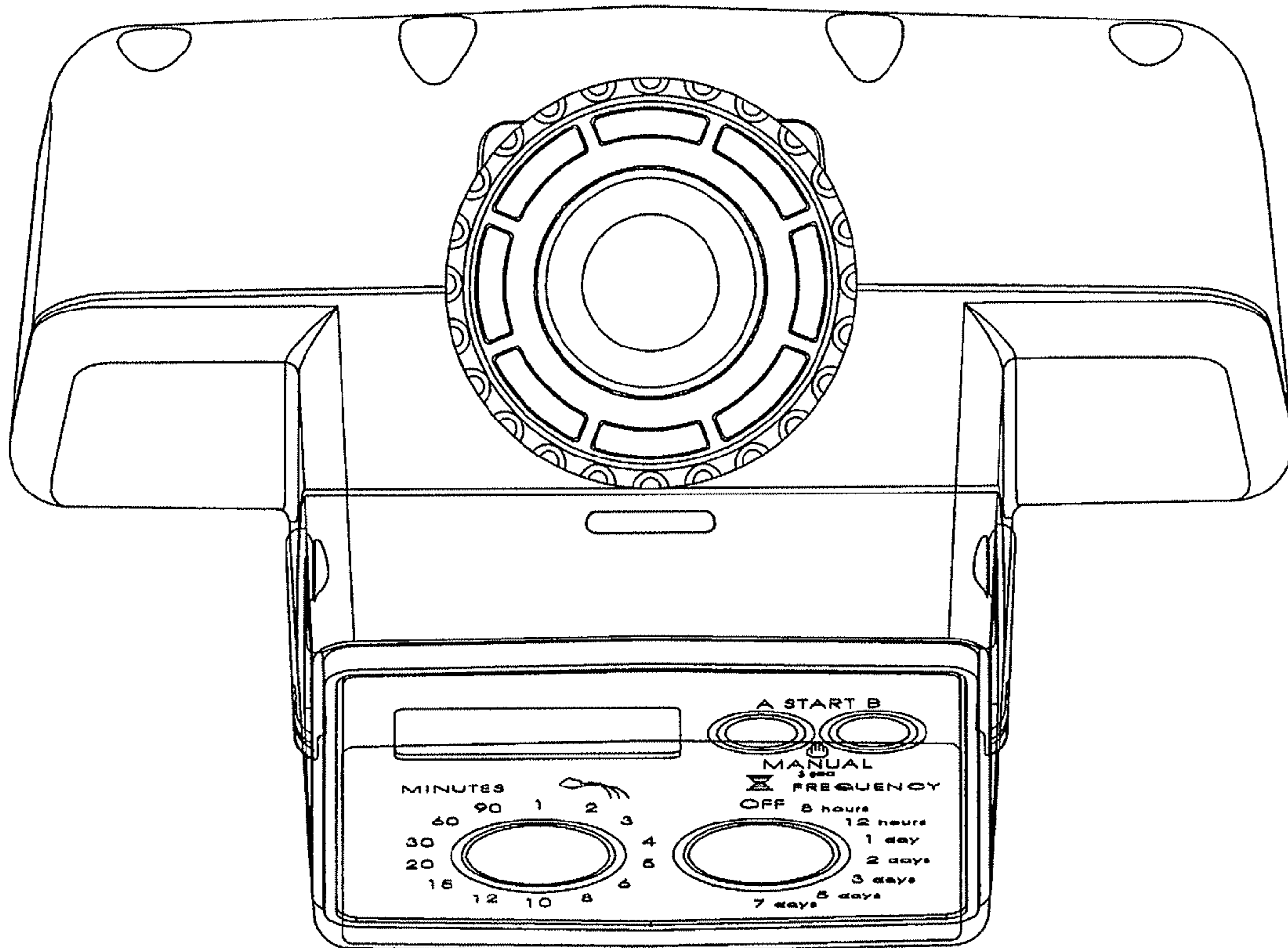


FIG.6

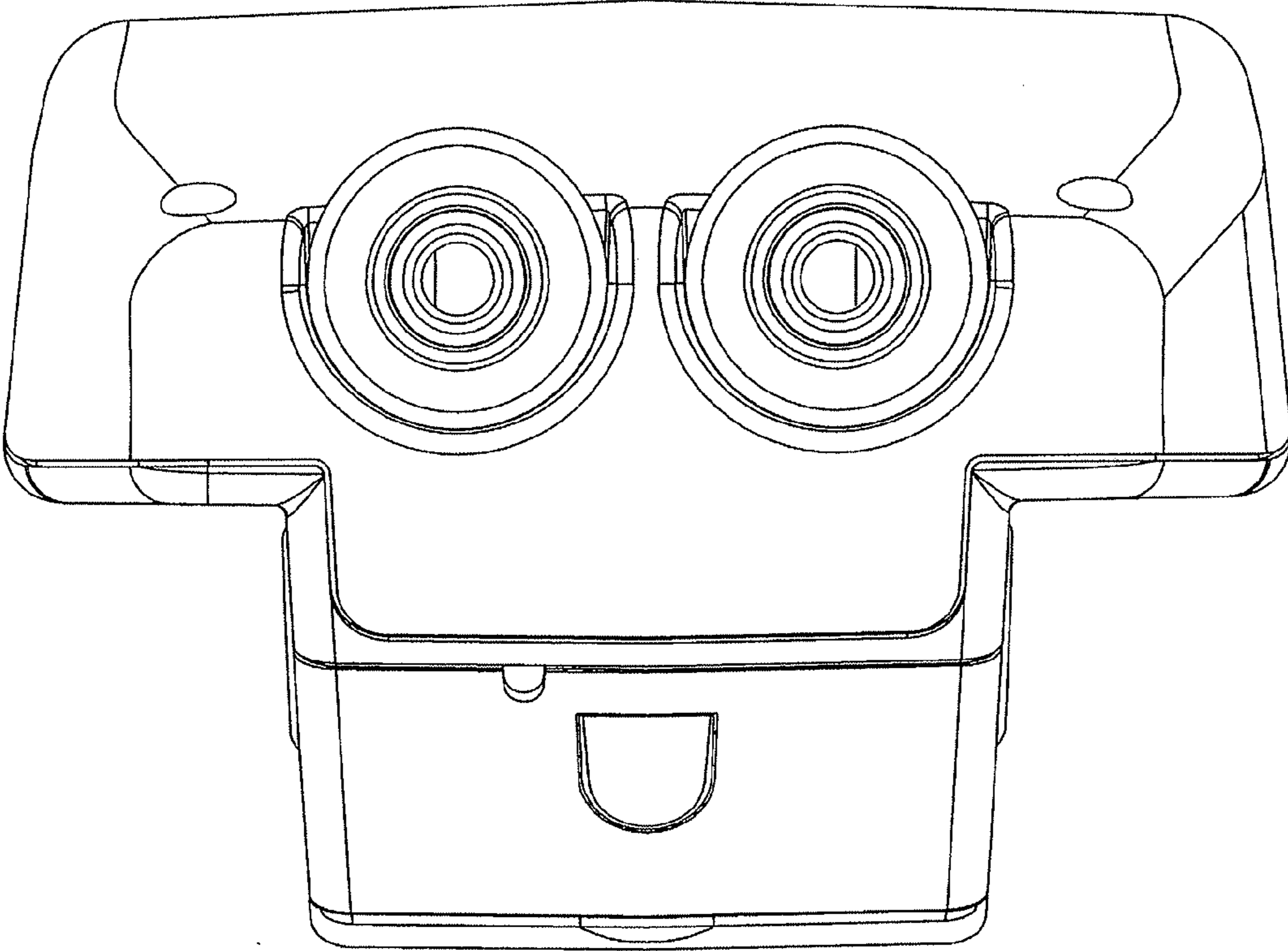


FIG.7



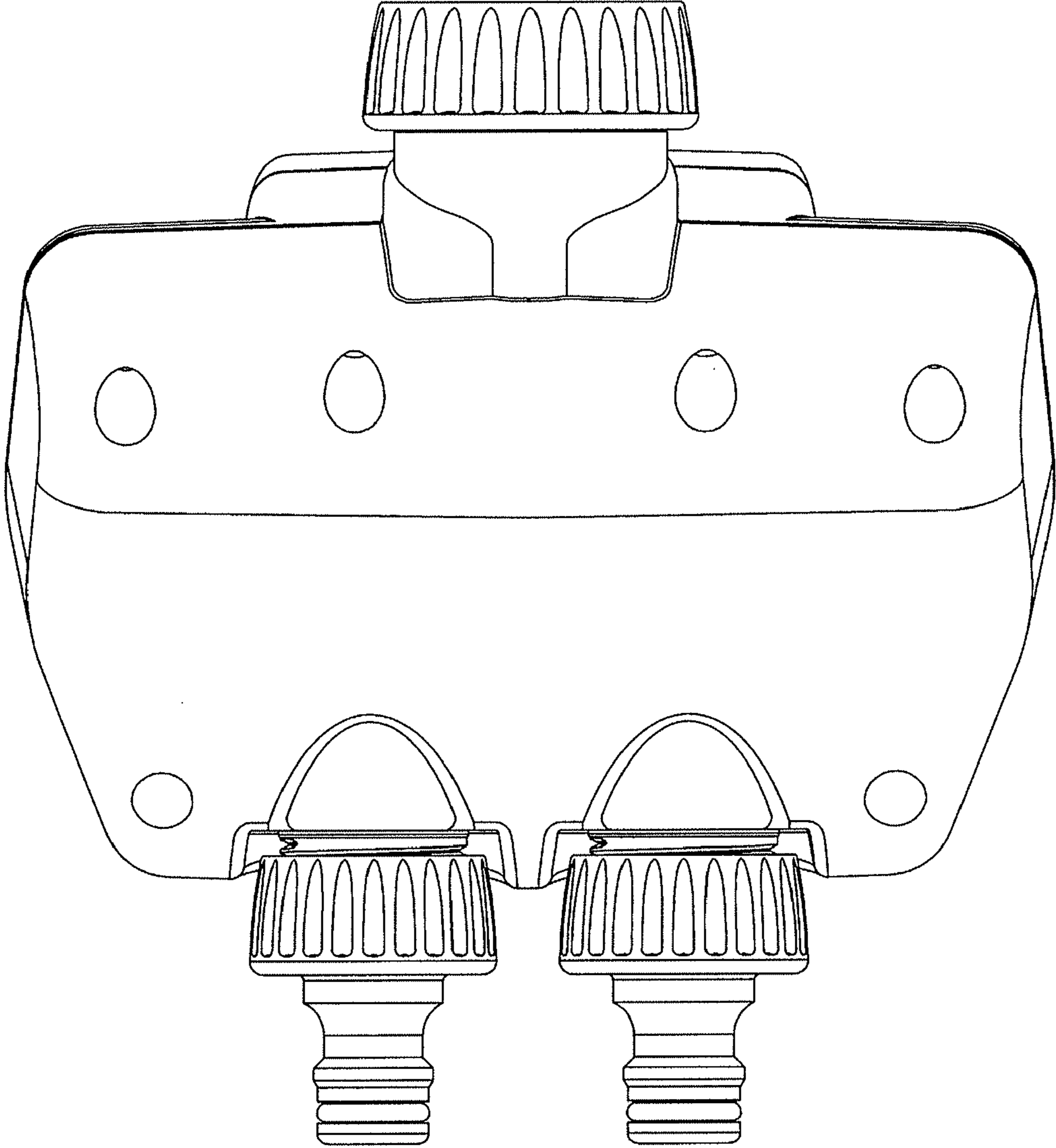


FIG.8