



US00D679257S

(12) **United States Design Patent**
Kim et al.

(10) **Patent No.:** **US D679,257 S**

(45) **Date of Patent:** **** Apr. 2, 2013**

(54) **DIGITAL DIRECT CONTROLLER**

(75) Inventors: **Myungshik Kim**, Seoul (KR);
Sangmoon Jeong, Gyeonggi-do (KR);
Eugene Suh, Seoul (KR); **Inhyeuk Choi**, Seoul (KR)

(73) Assignee: **LG Electronics Inc.**, Seoul (KR)

(**) Term: **14 Years**

(21) Appl. No.: **29/384,590**

(22) Filed: **Feb. 1, 2011**

(30) **Foreign Application Priority Data**

Aug. 4, 2010 (KR) 30-2010-0034032

(51) **LOC (9) Cl.** **13-03**

(52) **U.S. Cl.** **D13/162.1**

(58) **Field of Classification Search** D13/162,
D13/162.1, 164; D23/354; 200/293, 296;
340/500; 361/93.2, 601, 622, 627, 628, 679.01,
361/728, 730; 700/12, 83

See application file for complete search history.

(56) **References Cited**

U.S. PATENT DOCUMENTS

4,331,998 A * 5/1982 Matsko et al. 361/93.2
D287,117 S * 12/1986 Saiki et al. D13/162.1

D290,694 S * 7/1987 Shimizu et al. D13/162.1
D297,419 S * 8/1988 Bonnema et al. D10/50
5,303,113 A * 4/1994 Goleman et al. 361/93.2
D351,827 S * 10/1994 Shimizu et al. D13/162.1
6,594,529 B1 * 7/2003 Boggs et al. 700/12
D503,686 S * 4/2005 Knox et al. D13/162
D541,798 S * 5/2007 Ichida et al. D14/371
D610,096 S * 2/2010 Gemme et al. D13/162
D620,454 S * 7/2010 Lissola et al. D13/164
D642,134 S * 7/2011 Walser D13/164
2012/0109343 A1 * 5/2012 Shah 700/83

* cited by examiner

Primary Examiner — Selina Sikder

(74) *Attorney, Agent, or Firm* — Birch, Stewart, Kolasch & Birch, LLP

(57) **CLAIM**

The ornamental design for a digital direct controller, as shown and described.

DESCRIPTION

FIG. 1 is a top, front, perspective view of a digital direct controller showing our new design;
FIG. 2 is a front view thereof;
FIG. 3 is a rear view thereof;
FIG. 4 is a left side view thereof;
FIG. 5 is a right side view thereof;
FIG. 6 is a top view thereof; and,
FIG. 7 is a bottom view thereof.

1 Claim, 7 Drawing Sheets

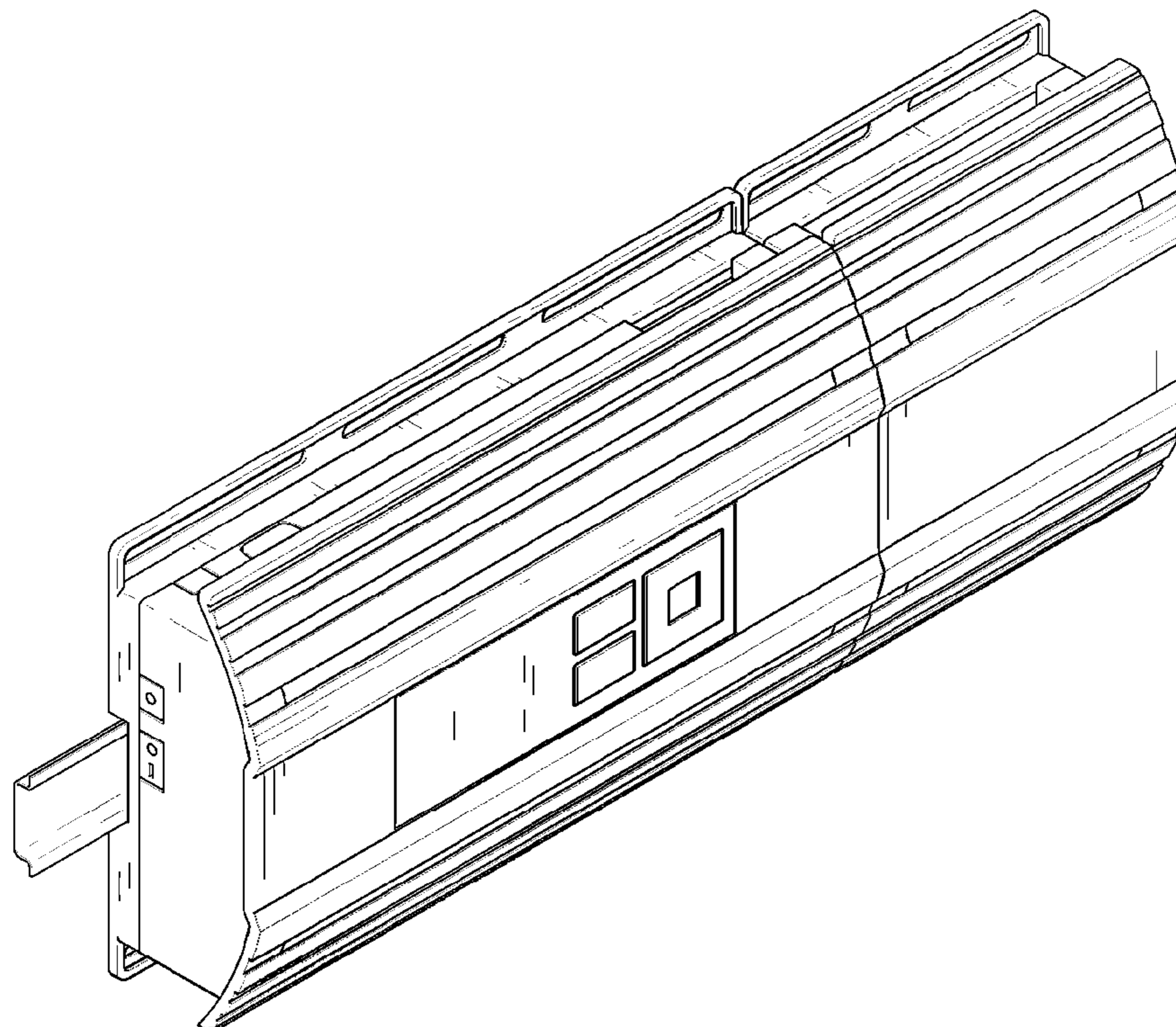


FIG. 1

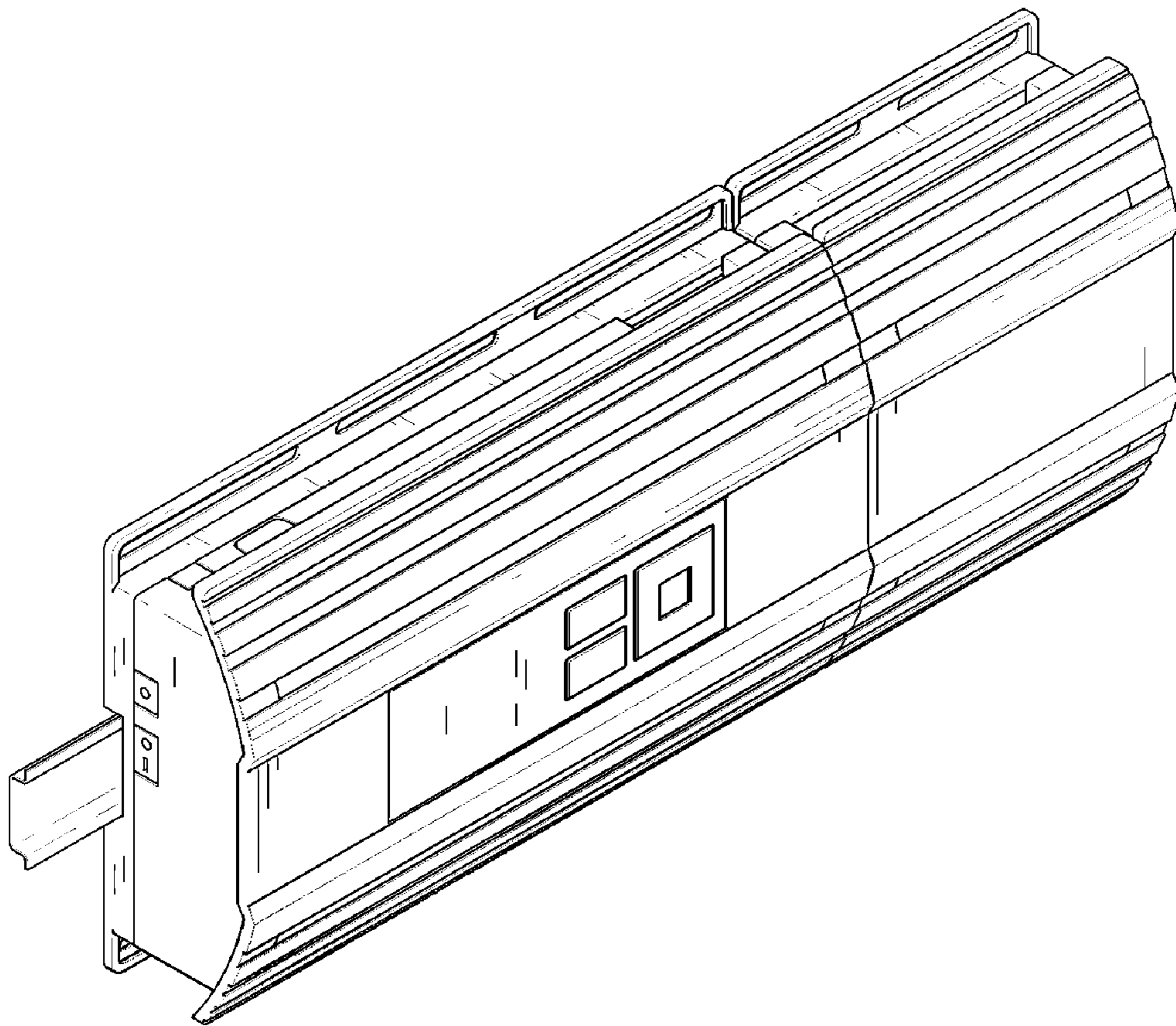


FIG. 2

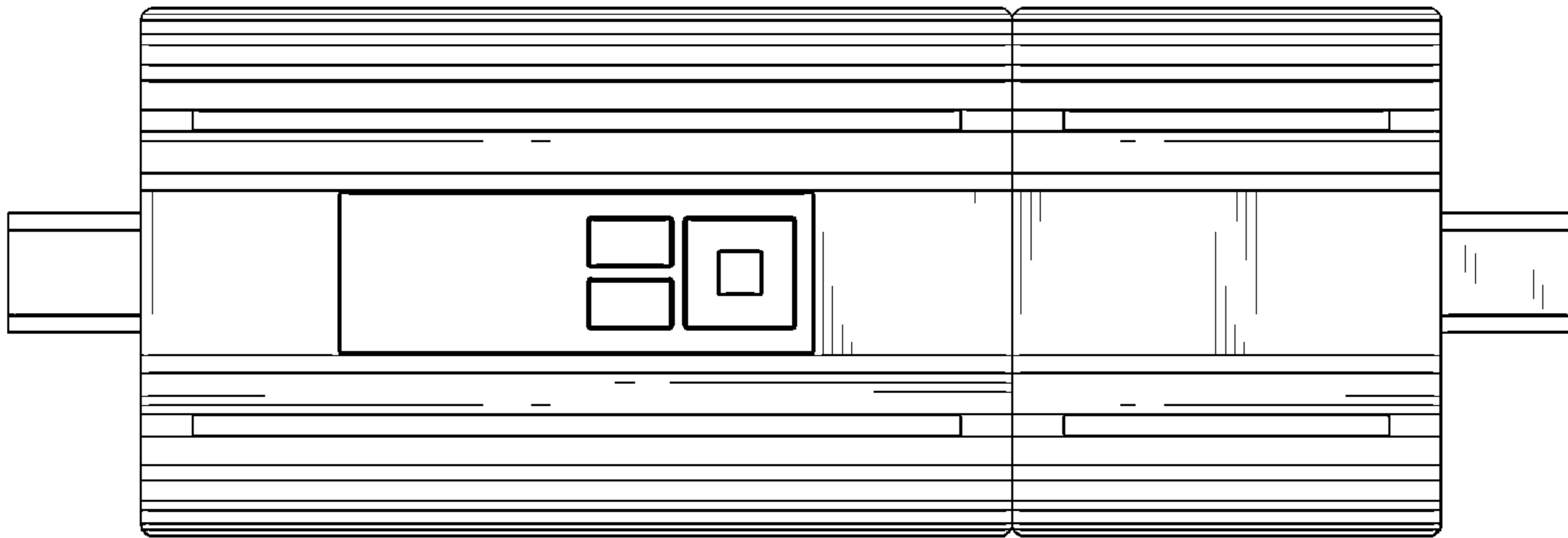


FIG. 3

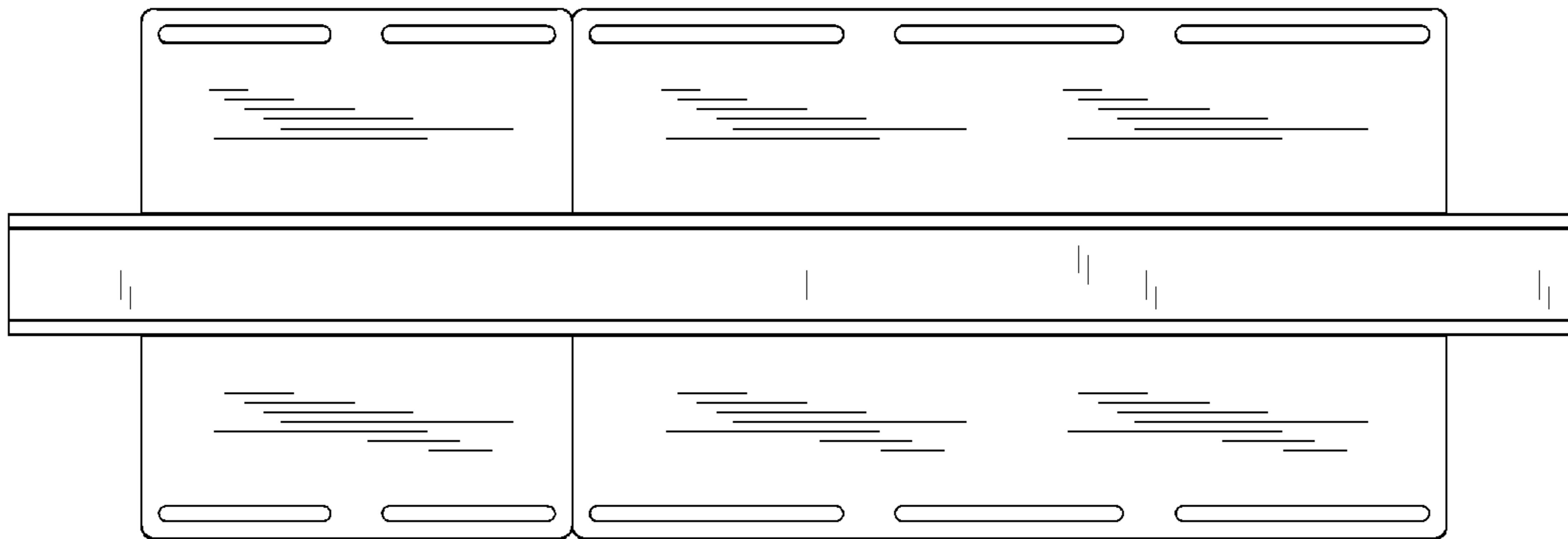


FIG. 4

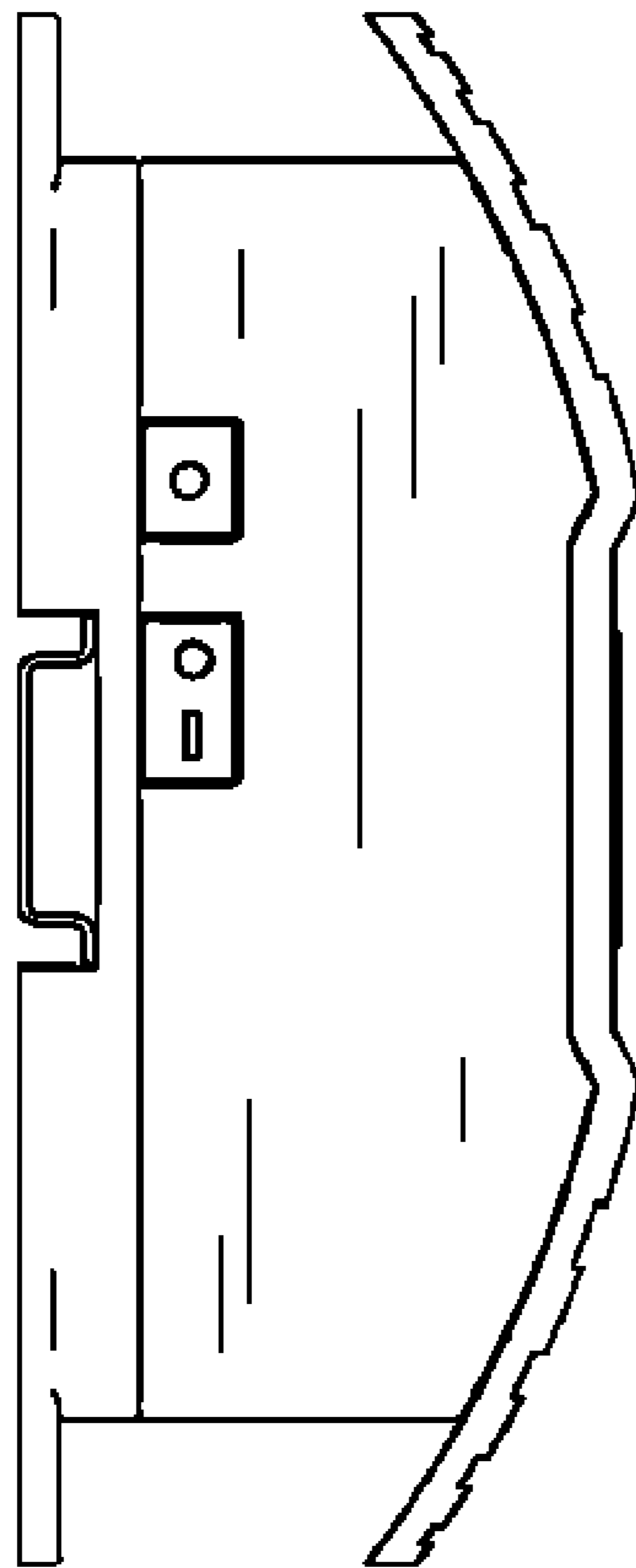


FIG. 5

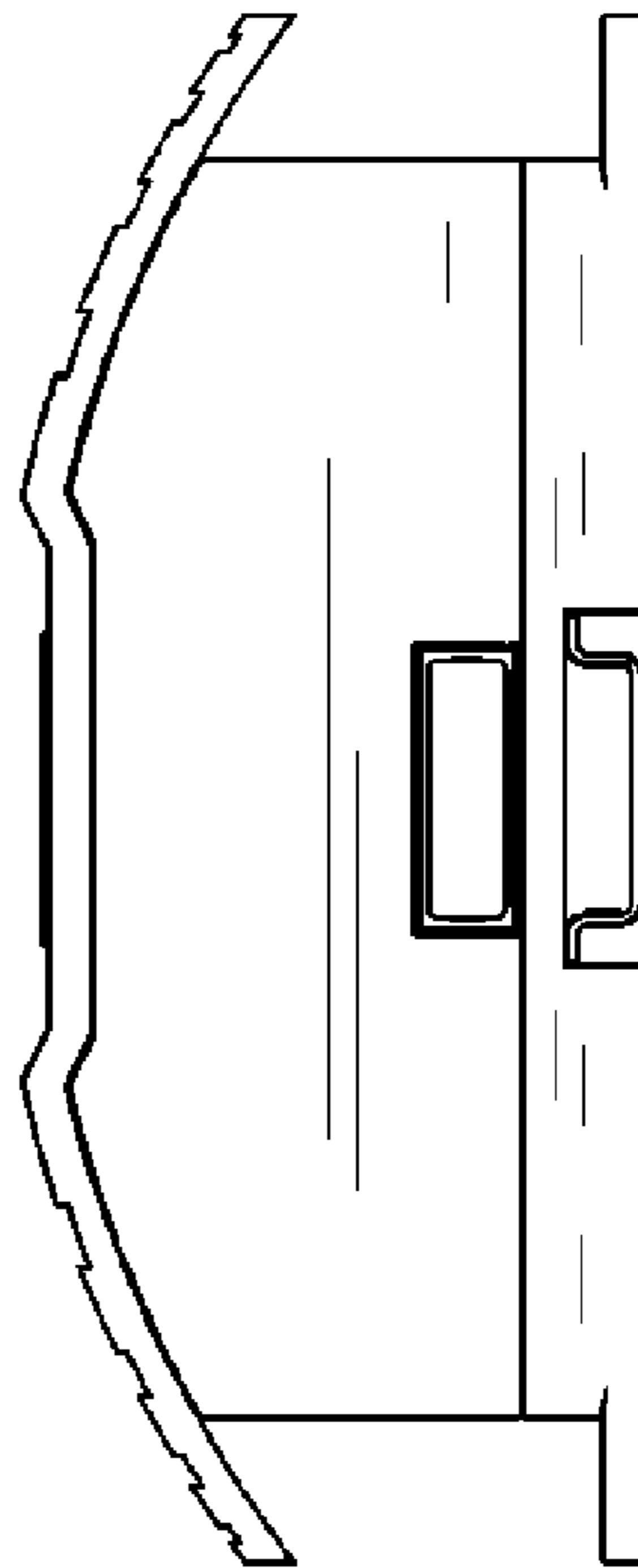


FIG. 6



FIG. 7

