



US00D679255S

(12) **United States Design Patent**
Peckham

(10) **Patent No.:** **US D679,255 S**

(45) **Date of Patent:** **** Apr. 2, 2013**

(54) **ELECTRICAL OUTLET COVER BOX AND COVER PLATE ASSEMBLY**

(76) **Inventor:** **Albert E. Peckham**, Gloucester, MA (US)

(**) **Term:** **14 Years**

(21) **Appl. No.:** **29/372,093**

(22) **Filed:** **Oct. 14, 2010**

(51) **LOC (9) Cl.** **13-03**

(52) **U.S. Cl.** **D13/156**

(58) **Field of Classification Search** D13/156, D13/152, 153, 154, 177, 184, 199; D8/353; 174/50, 53, 54, 55, 58, 60, 66, 67; 220/4.02, 220/241, 244; 248/906; 439/345, 373, 535, 439/536

See application file for complete search history.

(56) **References Cited**

U.S. PATENT DOCUMENTS

4,851,612	A *	7/1989	Peckham	174/67
5,218,169	A *	6/1993	Riceman	174/67
D342,235	S *	12/1993	Shotey	D13/156
D345,142	S *	3/1994	Porter	D13/156
5,382,755	A *	1/1995	Correnti	174/67
5,773,760	A *	6/1998	Stark et al.	174/66
D400,507	S *	11/1998	Monaco	D13/156
6,198,046	B1 *	3/2001	Moodie	174/67

D443,592	S *	6/2001	Frattini	D13/152
D465,461	S *	11/2002	Hinshaw et al.	D13/177
6,891,104	B2 *	5/2005	Dinh	174/67
D556,143	S *	11/2007	Ni	D13/152
7,410,372	B2 *	8/2008	Johnson et al.	439/142

* cited by examiner

Primary Examiner — Derrick Holland

(74) *Attorney, Agent, or Firm* — Don Halgren

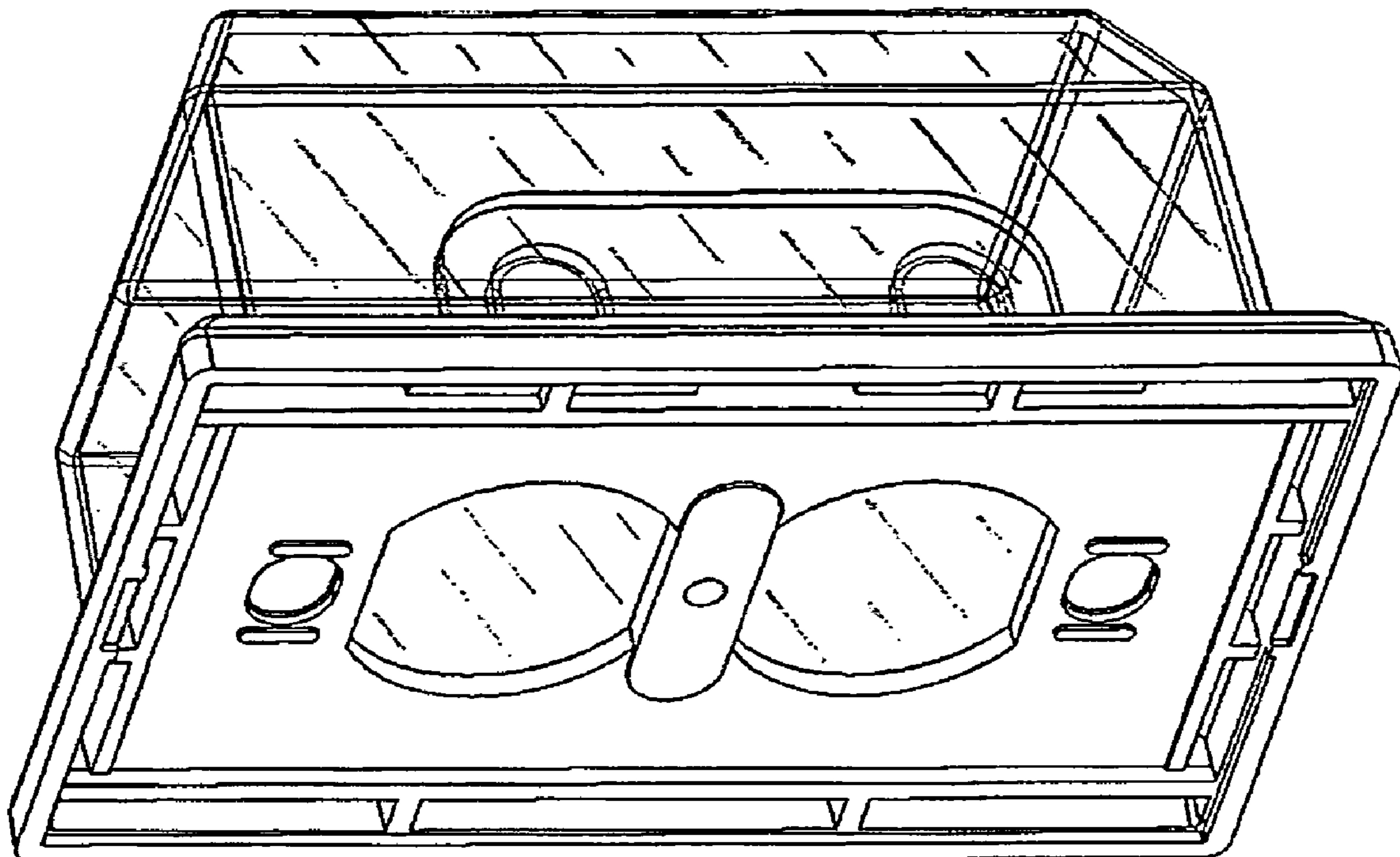
(57) **CLAIM**

The ornamental design for an electrical outlet box and cover plate assembly, as shown and described.

DESCRIPTION

FIG. 1 is a top plan view of an electrical outlet cover box and cover plate assembly showing my new design;
 FIG. 2 is a first end elevation view thereof, taken along the lines 2-2 of FIG. 1;
 FIG. 3 is a second end elevation view thereof, taken along the lines 3-3 of FIG. 1;
 FIG. 4 is a first side elevation view thereof, taken along the lines 4-4 of FIG. 1;
 FIG. 5 is a second side elevation view thereof, taken along the lines 5-5 of FIG. 1;
 FIG. 6 is a bottom perspective view thereof; and,
 FIG. 7 is a top perspective view thereof.

1 Claim, 4 Drawing Sheets



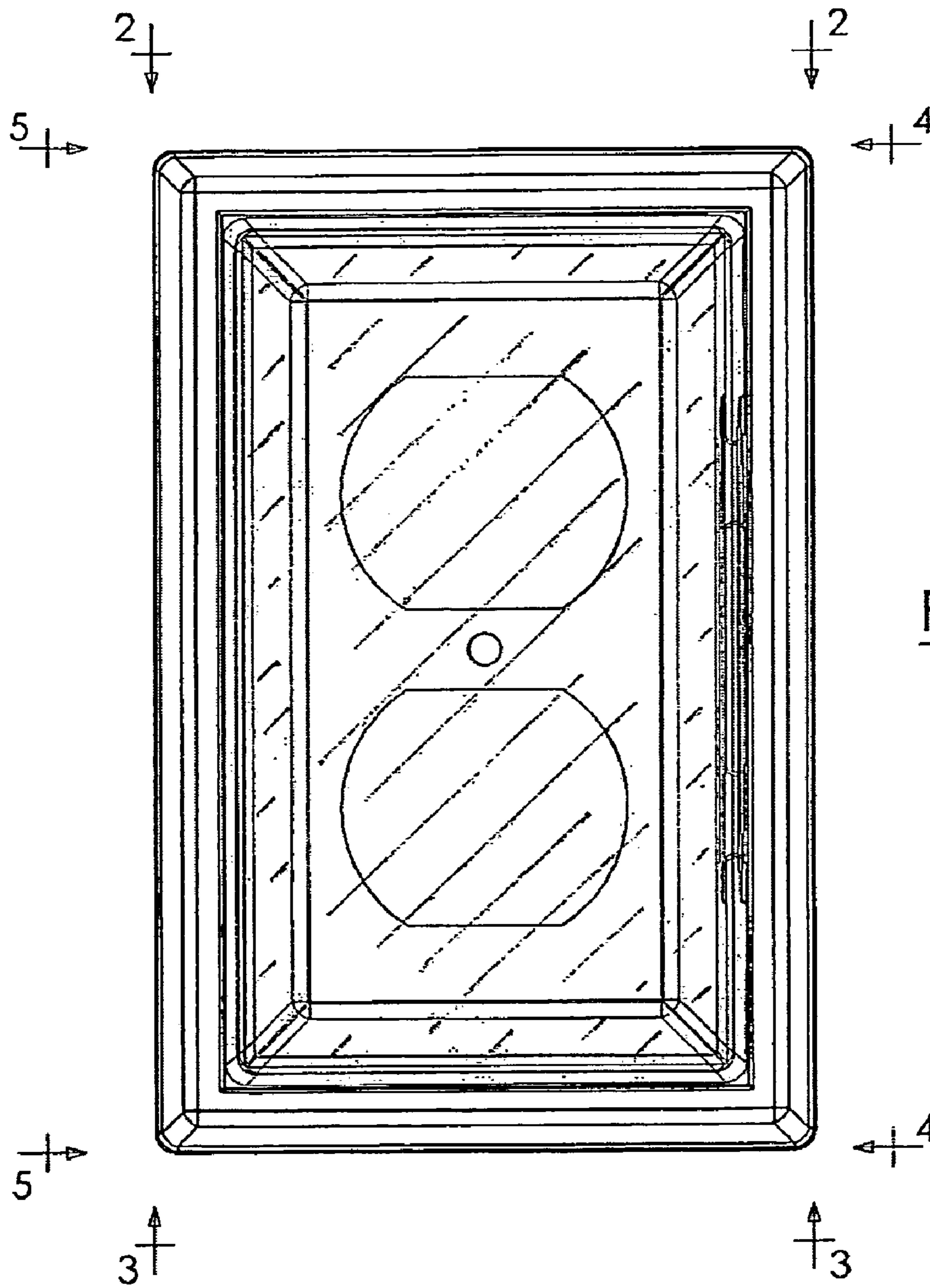


FIG. 1

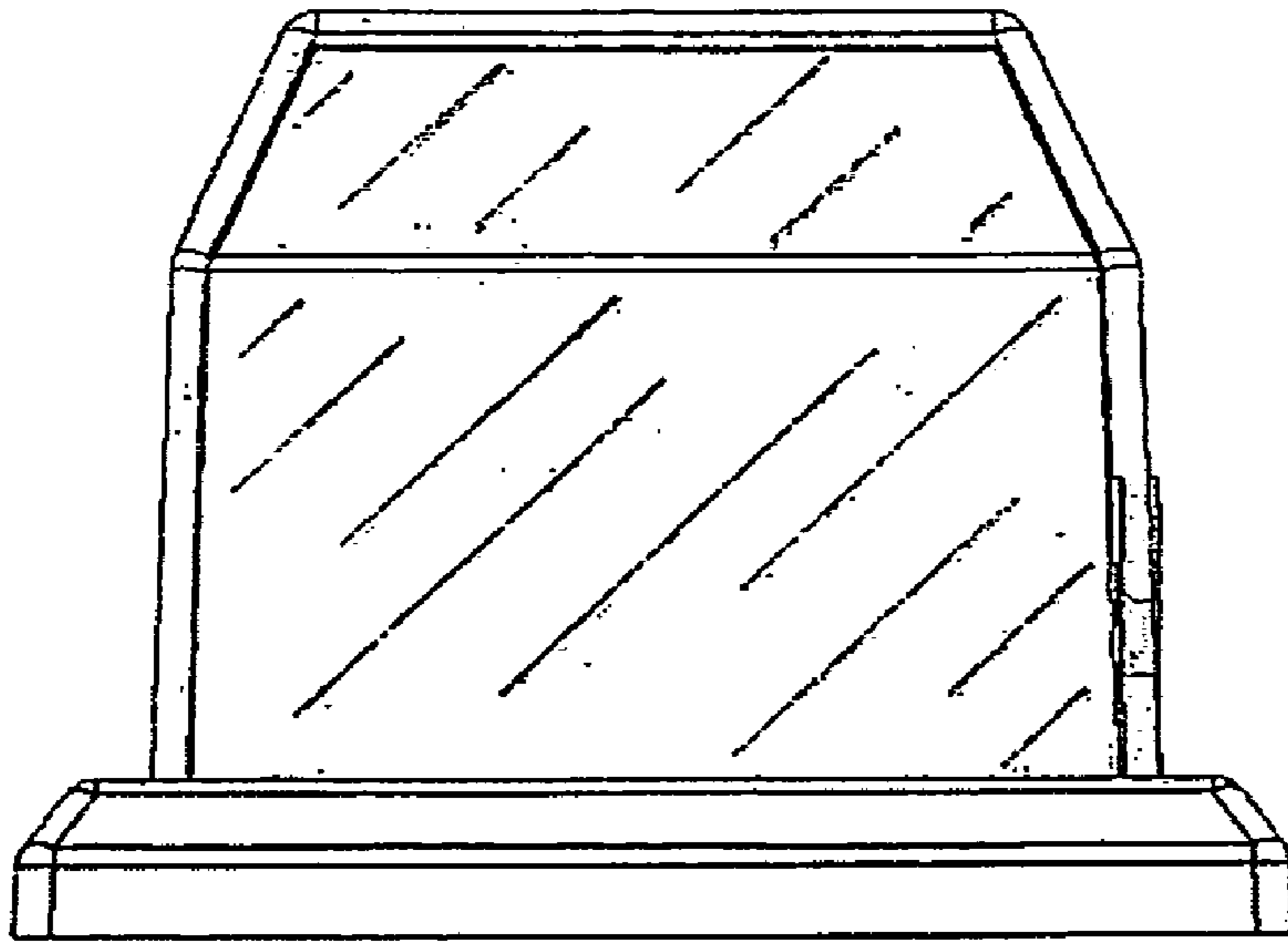


FIG.3

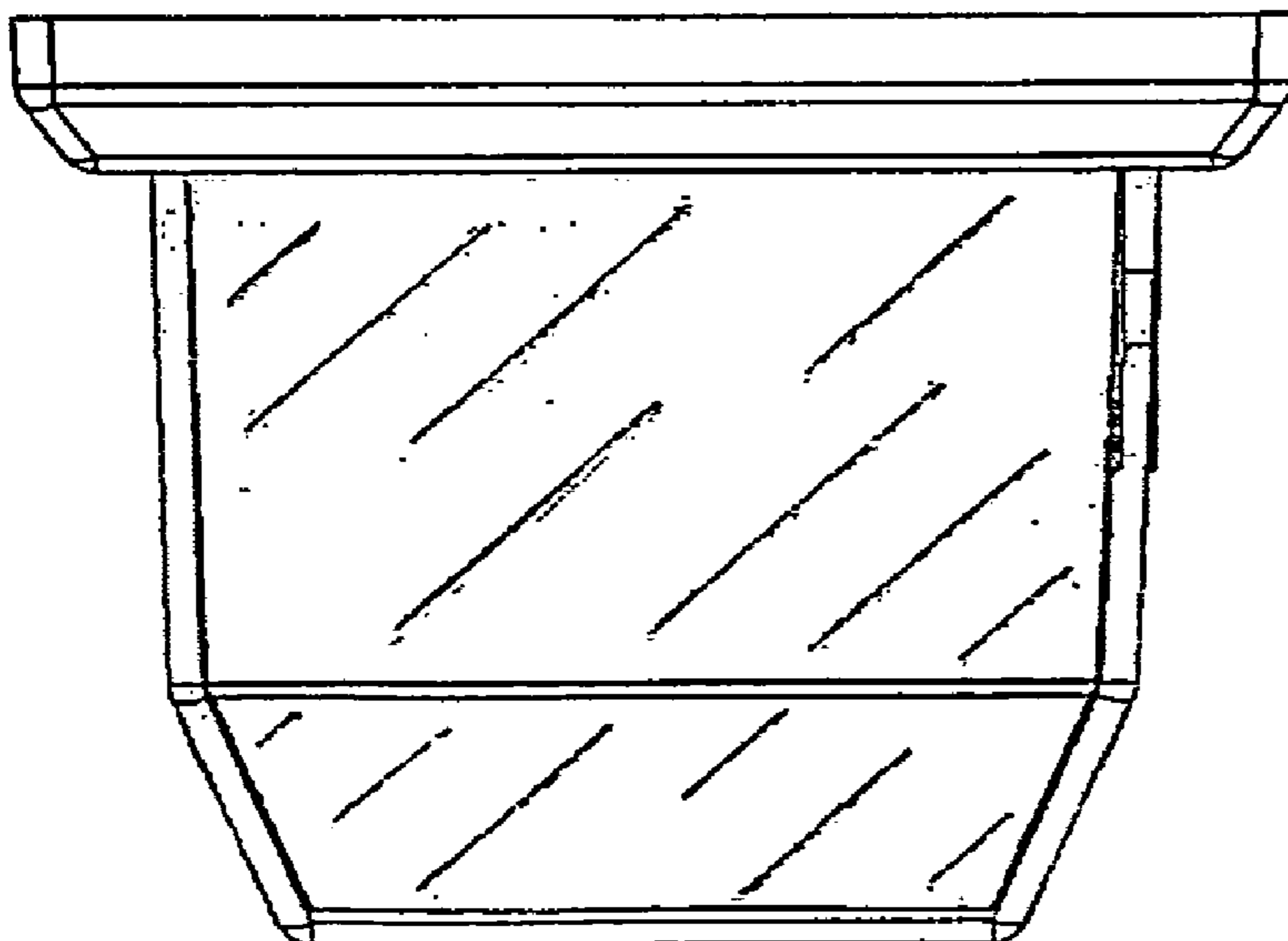


FIG.2

FIG. 4

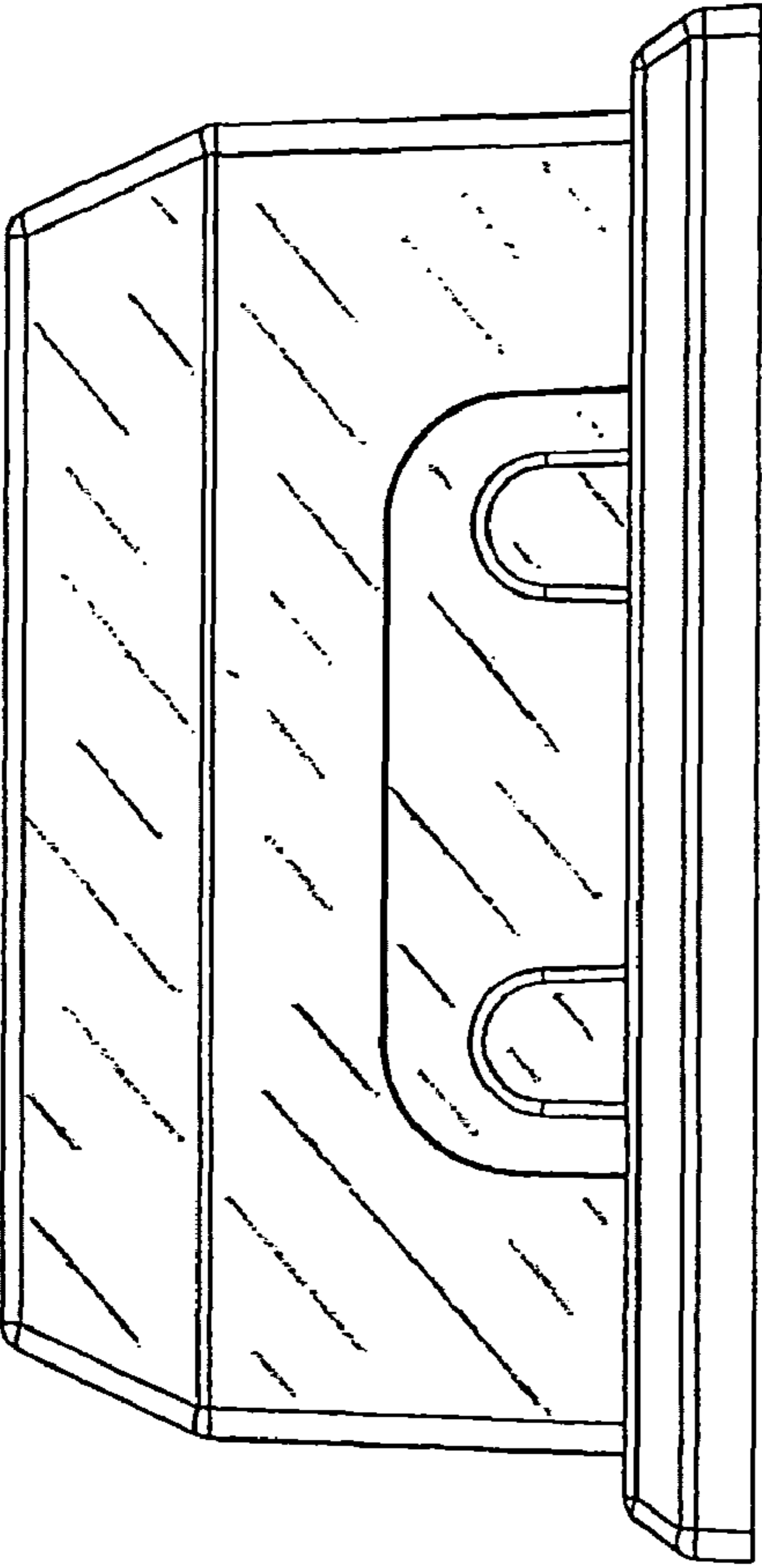
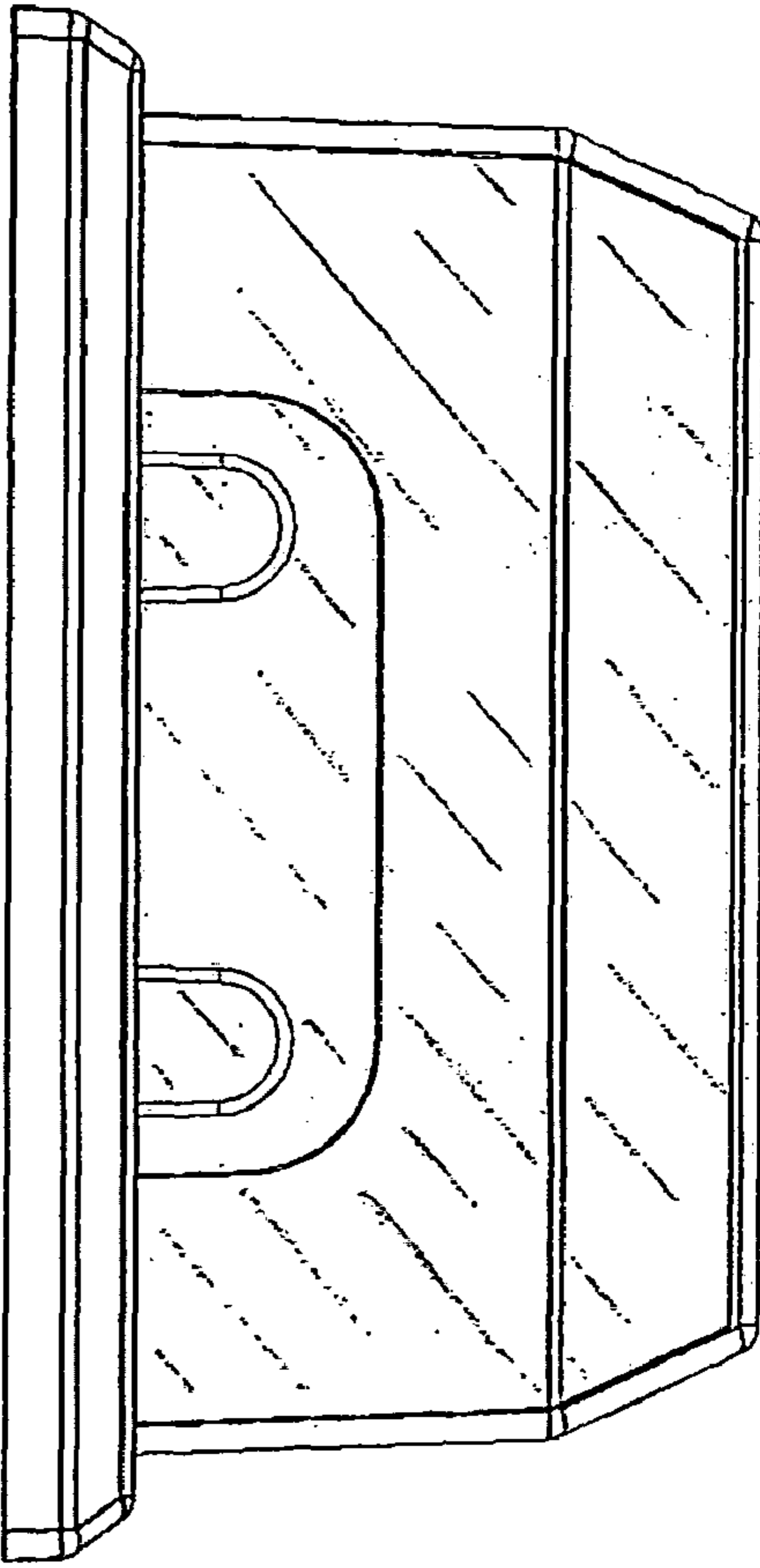


FIG. 5



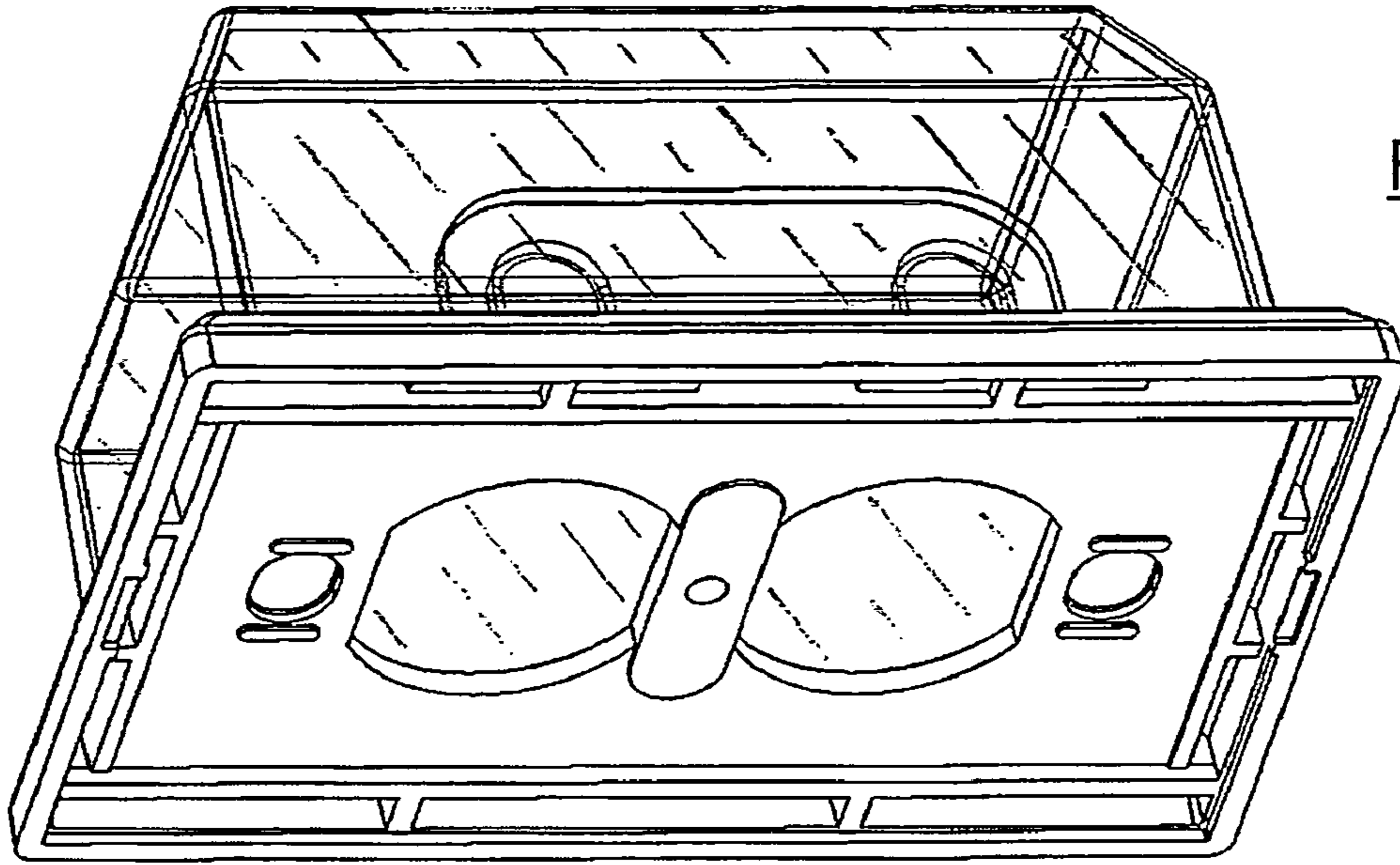


FIG. 6

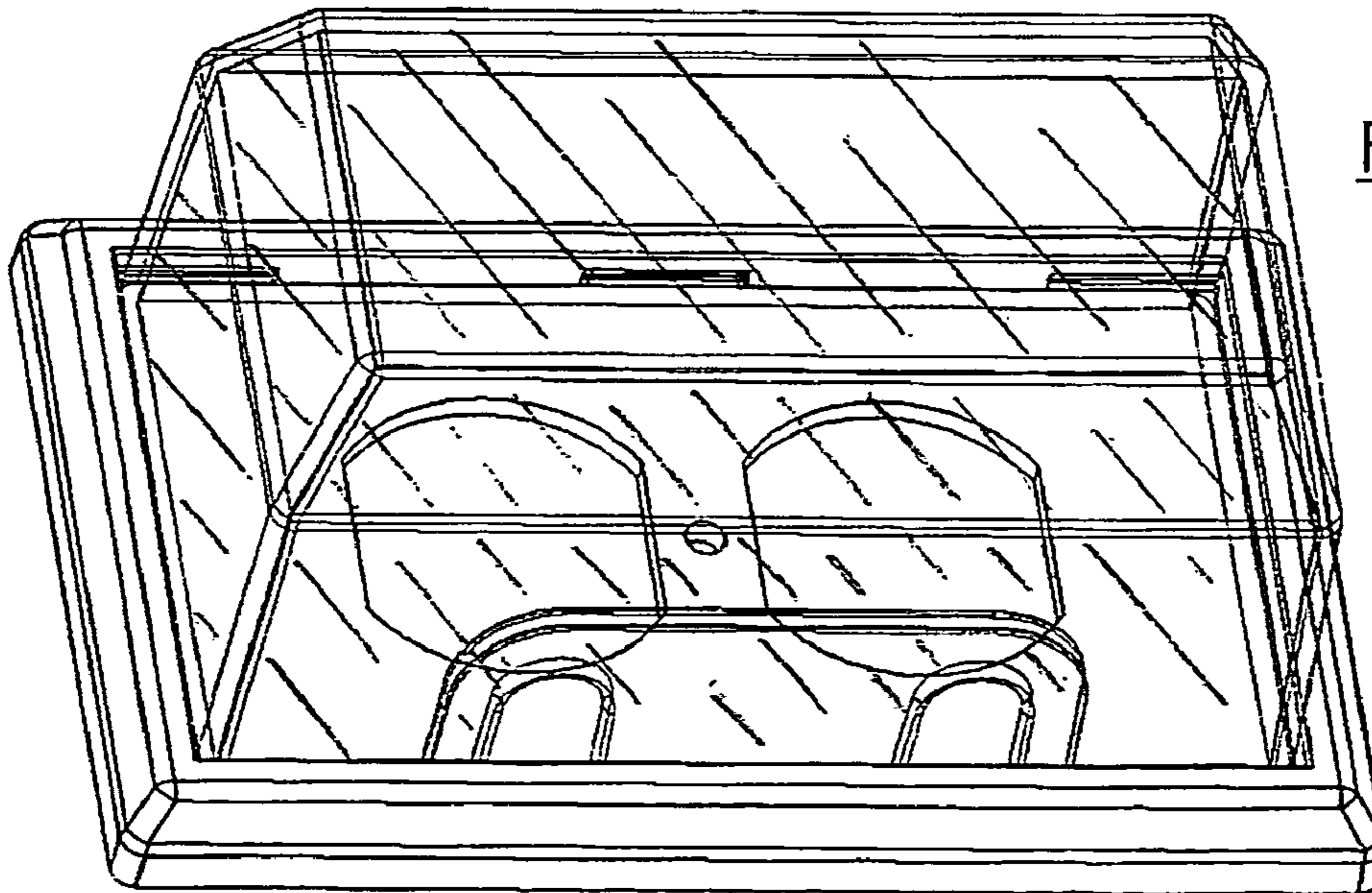


FIG. 7