



US00D679252S

(12) **United States Design Patent**
Wagner et al.

(10) **Patent No.:** **US D679,252 S**

(45) **Date of Patent:** **** Apr. 2, 2013**

(54) **OPEN BACK BOX WITH GROUND SCREW BUMP**

(75) Inventors: **William Wagner**, Murrysville, PA (US);
Ryan Crouthamel, Pittsburgh, PA (US);
John Mure, McKees Rocks, PA (US)

(73) Assignee: **Cooper Technologies Company**,
Houston, TX (US)

(**) Term: **14 Years**

(21) Appl. No.: **29/375,170**

(22) Filed: **Sep. 17, 2010**

(51) **LOC (9) Cl.** **13-02**

(52) **U.S. Cl.** **D13/152**

(58) **Field of Classification Search** D13/184,
D13/156, 155, 154, 153, 152, 147, 139.1-139.4,
D13/137.1-137.4, 133; 600/166; 439/675,
439/668, 623, 578, 502, 106; 385/77; 174/151,
174/138 F, 113 R

See application file for complete search history.

(56) **References Cited**

U.S. PATENT DOCUMENTS

D441,719 S *	5/2001	Lew	D13/152
D461,455 S *	8/2002	Forbes	D13/152
D462,664 S *	9/2002	Roesch et al.	D13/152
D468,697 S *	1/2003	Straub, Jr.	D13/152
D510,323 S *	10/2005	Hawken	D13/152
D553,574 S *	10/2007	Neveu	D13/152
2012/0067612 A1 *	3/2012	Wagner et al.	174/51

OTHER PUBLICATIONS

Cooper Crouse-Hinds, Brochure Pre-formance Giving you the convenience of a pre-fabricated product—plus the flexibility to accommodate job-site requirements, 2007, p. 1-20, Cooper Industries, Inc., USA.

Cooper Crouse-Hinds, Brochure Pre-formance complete A Complete Engineered Pre-Fabricated Solution, 2008, p. 1-6, Cooper Industries, Inc., USA.

United Mfg Industries Inc. (UMI), Product Sheet 4S Deep Boxes, 2010, 1 page, Catalog 34 A9, Orbit Industries, Inc. (www.orbitelectric.com).

Thomas & Betts, Steel City product sheet, 2010, 1 page, U.S. Electrical On-line Catalog T&B Catalog No. X1-1/2 3/4, Thomas and Betts (www.tnb.com).

* cited by examiner

Primary Examiner — Susan Bennett Hattan

(74) *Attorney, Agent, or Firm* — King & Spalding LLP

(57) **CLAIM**

The ornamental design for an open back box having a ground screw bump, as shown and described.

DESCRIPTION

FIG. 1 is a perspective view of an open back box assembly having a ground screw bump in accordance with our design; FIG. 2 is a frontal view of the assembly of FIG. 1, in accordance with our design;

FIG. 3 is a side view of the assembly of FIG. 1, in accordance with our design;

FIG. 4 is an alternate side view of the assembly of FIG. 1, in accordance with our design;

FIG. 5 is a side cross-sectional view of the assembly of FIG. 1, taken along section 5-5, in accordance with our design;

FIG. 6 is a perspective view of another open back box assembly having a ground screw bump in accordance with our design;

FIG. 7 is a frontal view of the assembly of FIG. 6, in accordance with our design;

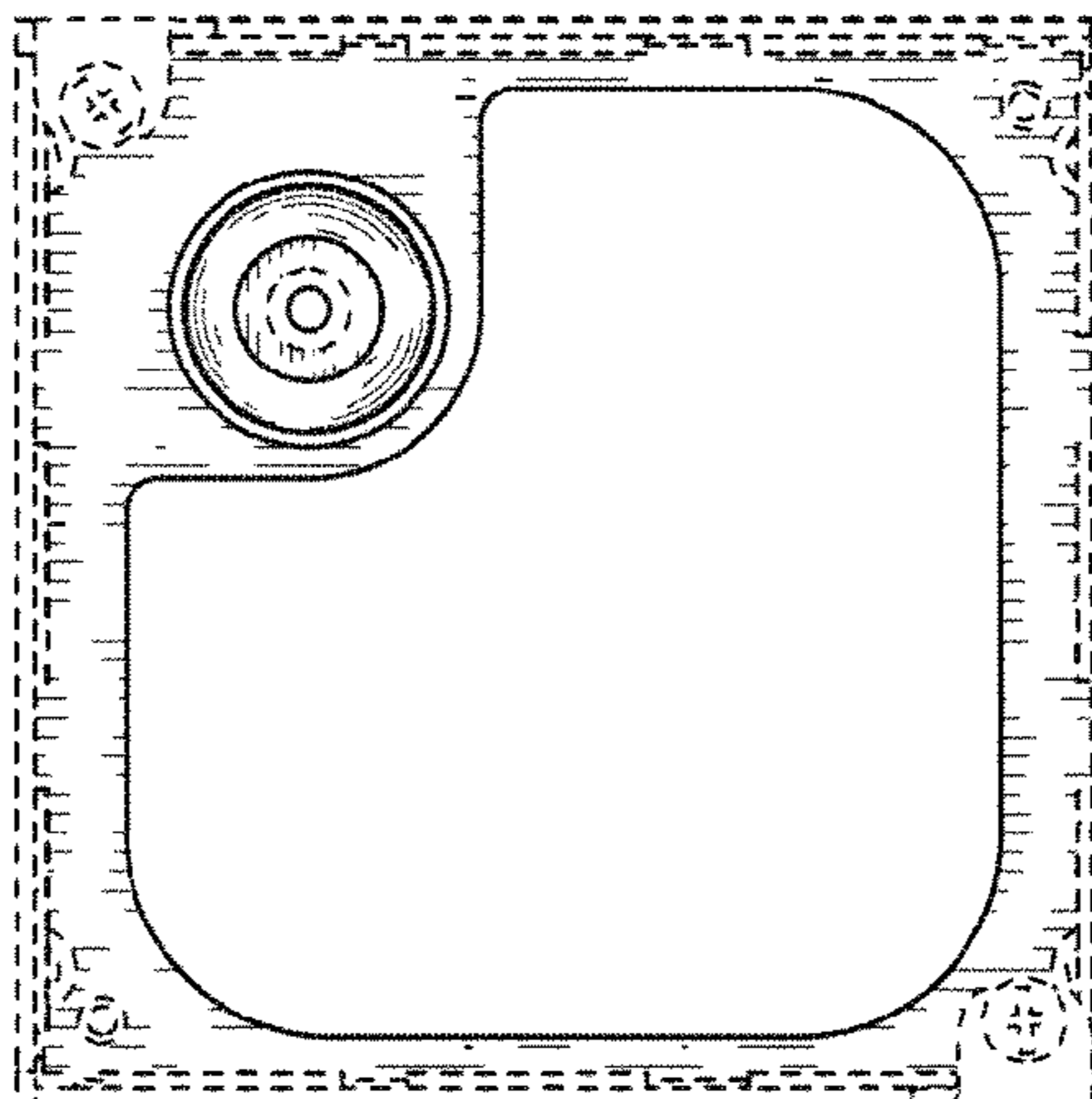
FIG. 8 is a side view of the assembly of FIG. 6, in accordance with our design;

FIG. 9 is an alternate side view of the assembly of FIG. 6, in accordance with our design; and,

FIG. 10 is a side cross-sectional view of the assembly of FIG. 6, taken along section 10-10, in accordance with our design.

The broken lines shown herein are for illustrative purposes only and form no part of the claimed design.

1 Claim, 2 Drawing Sheets



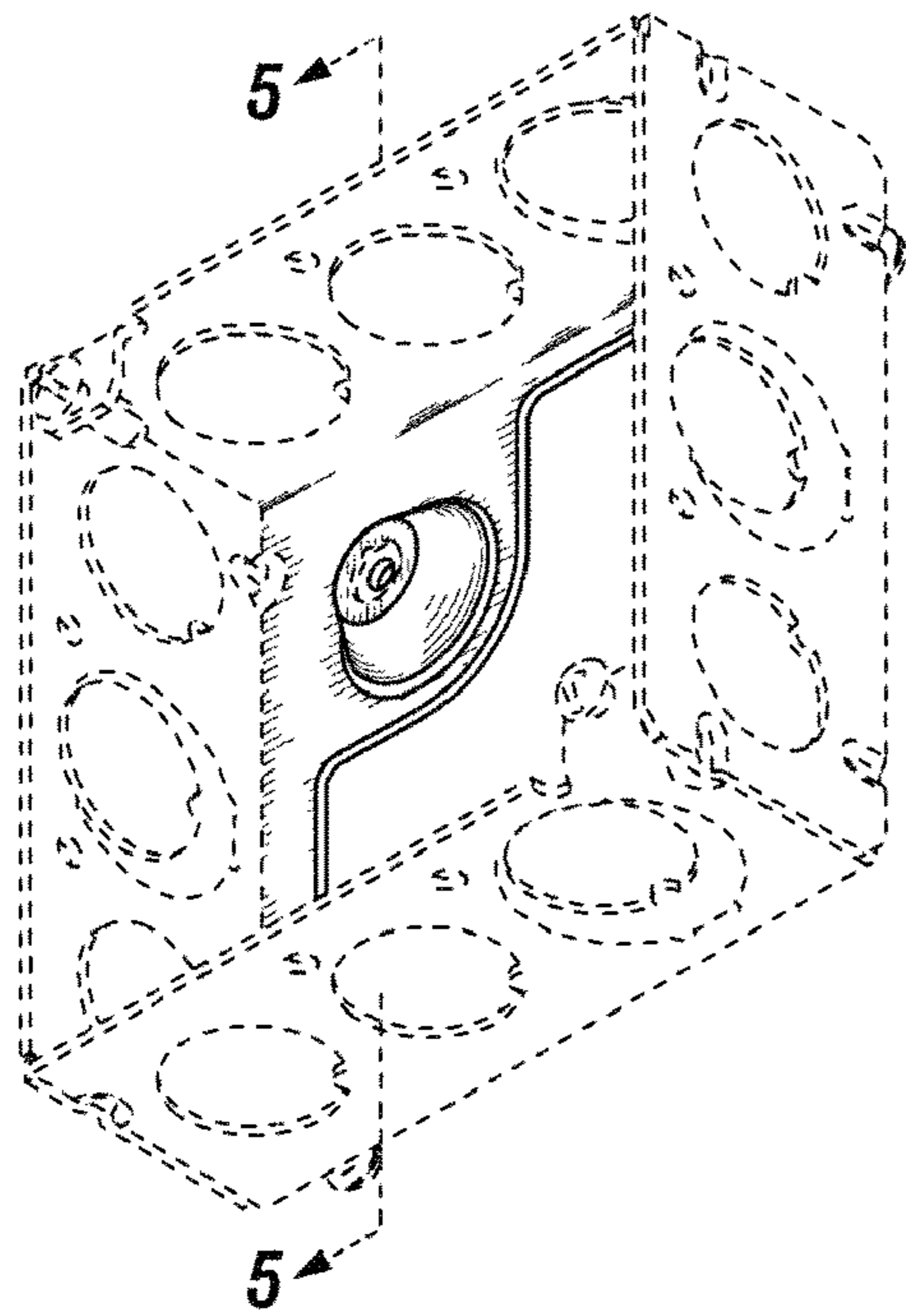


FIG. 1

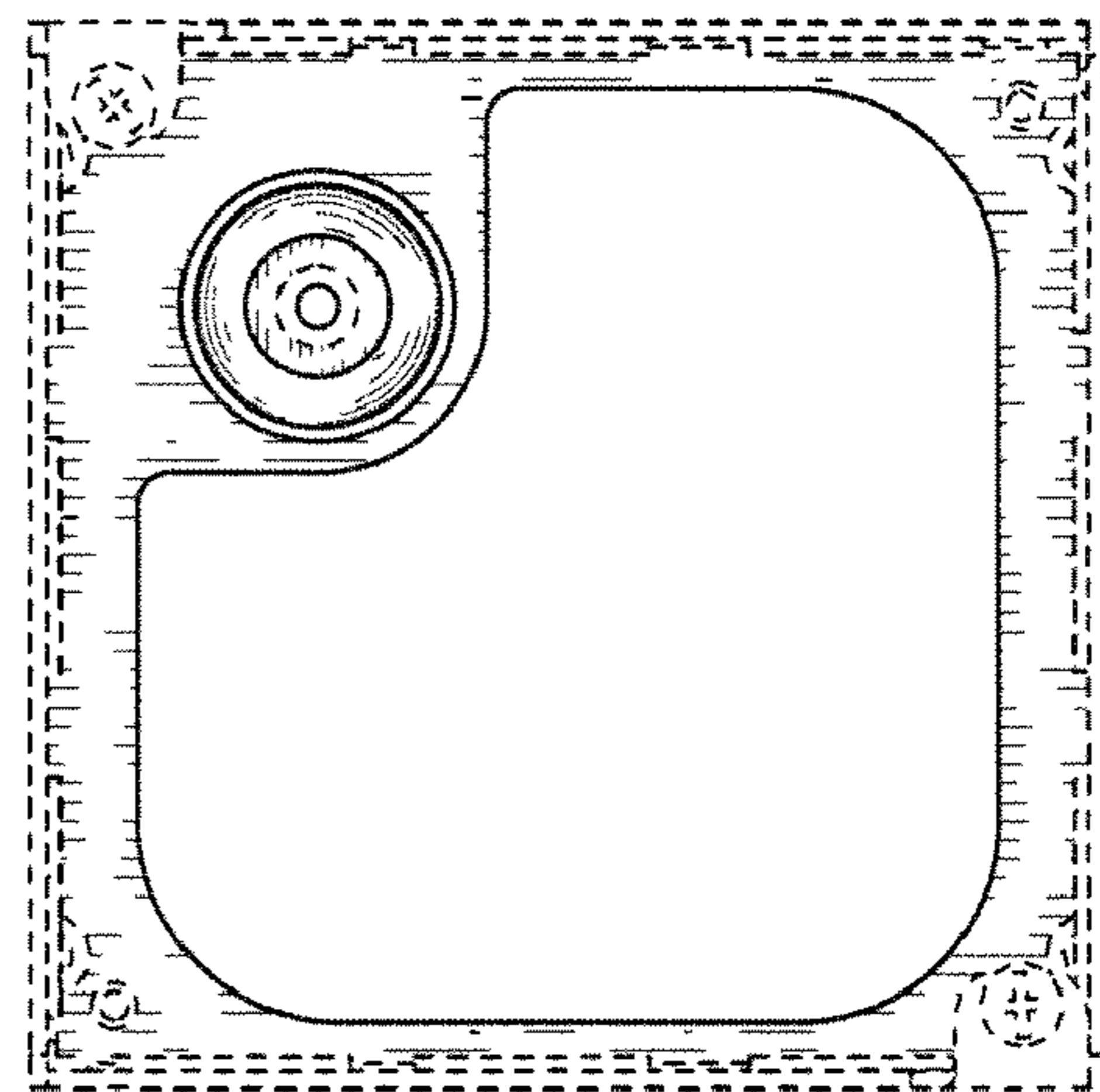


FIG. 2

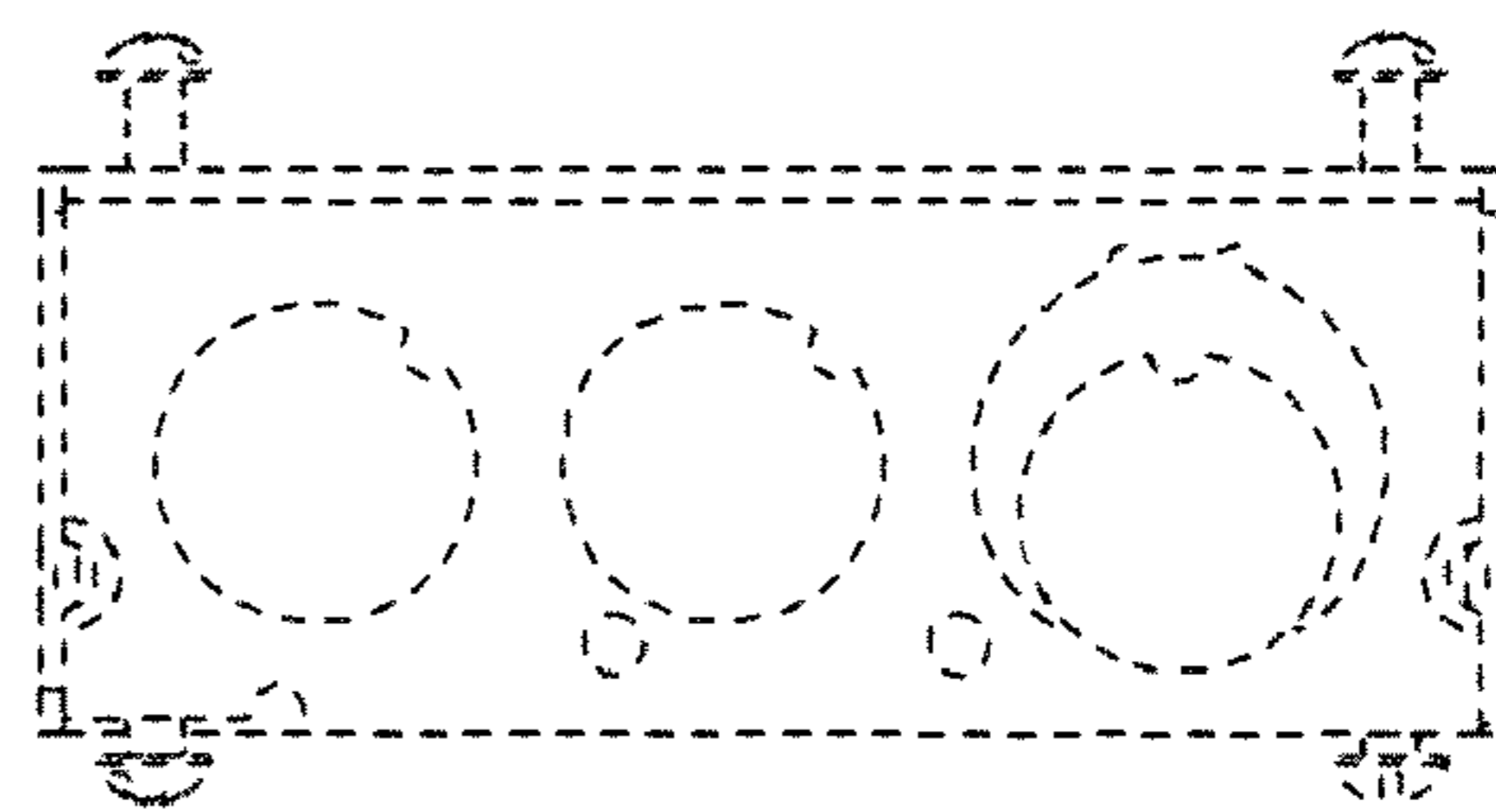


FIG. 3

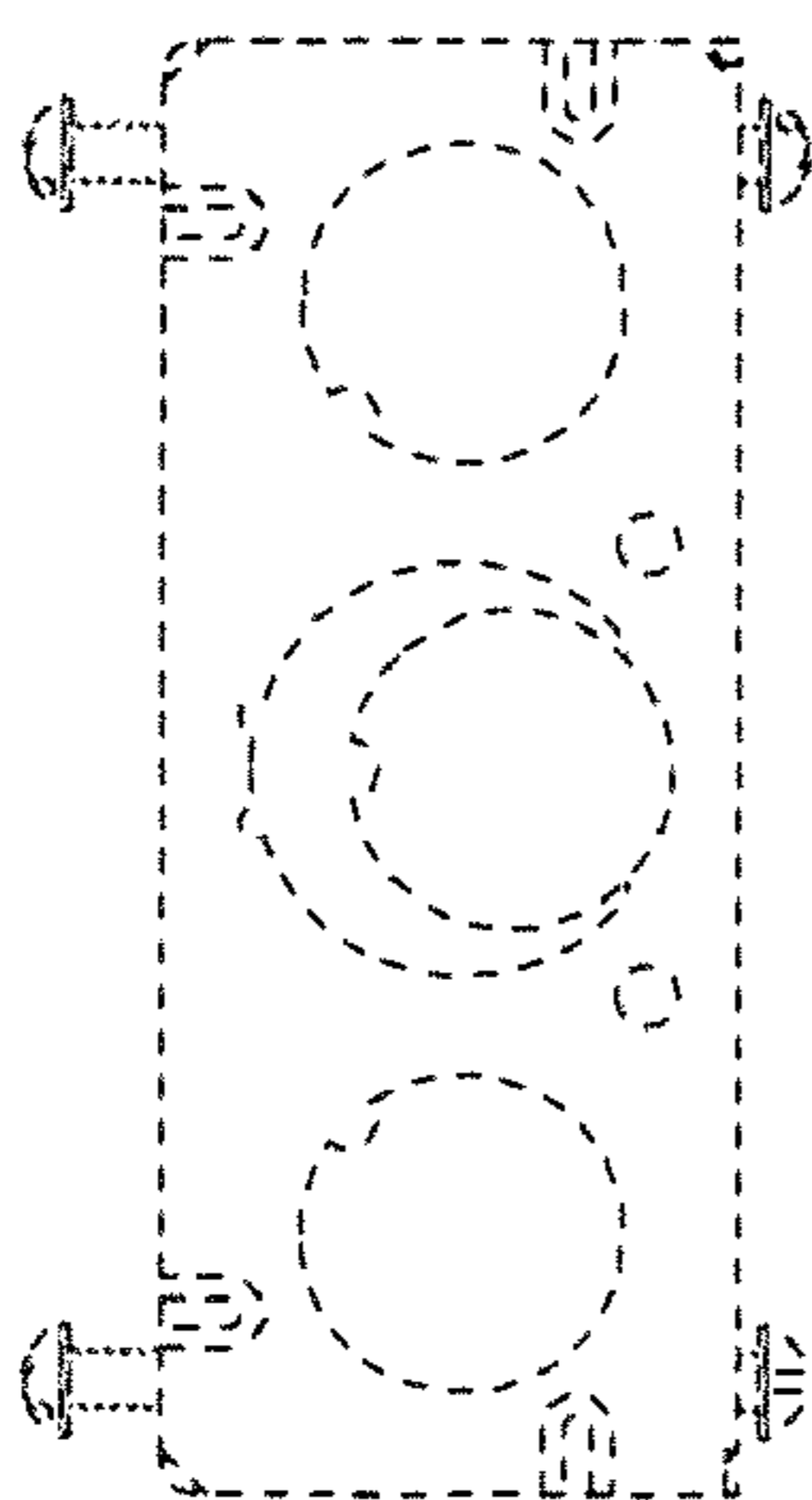


FIG. 4

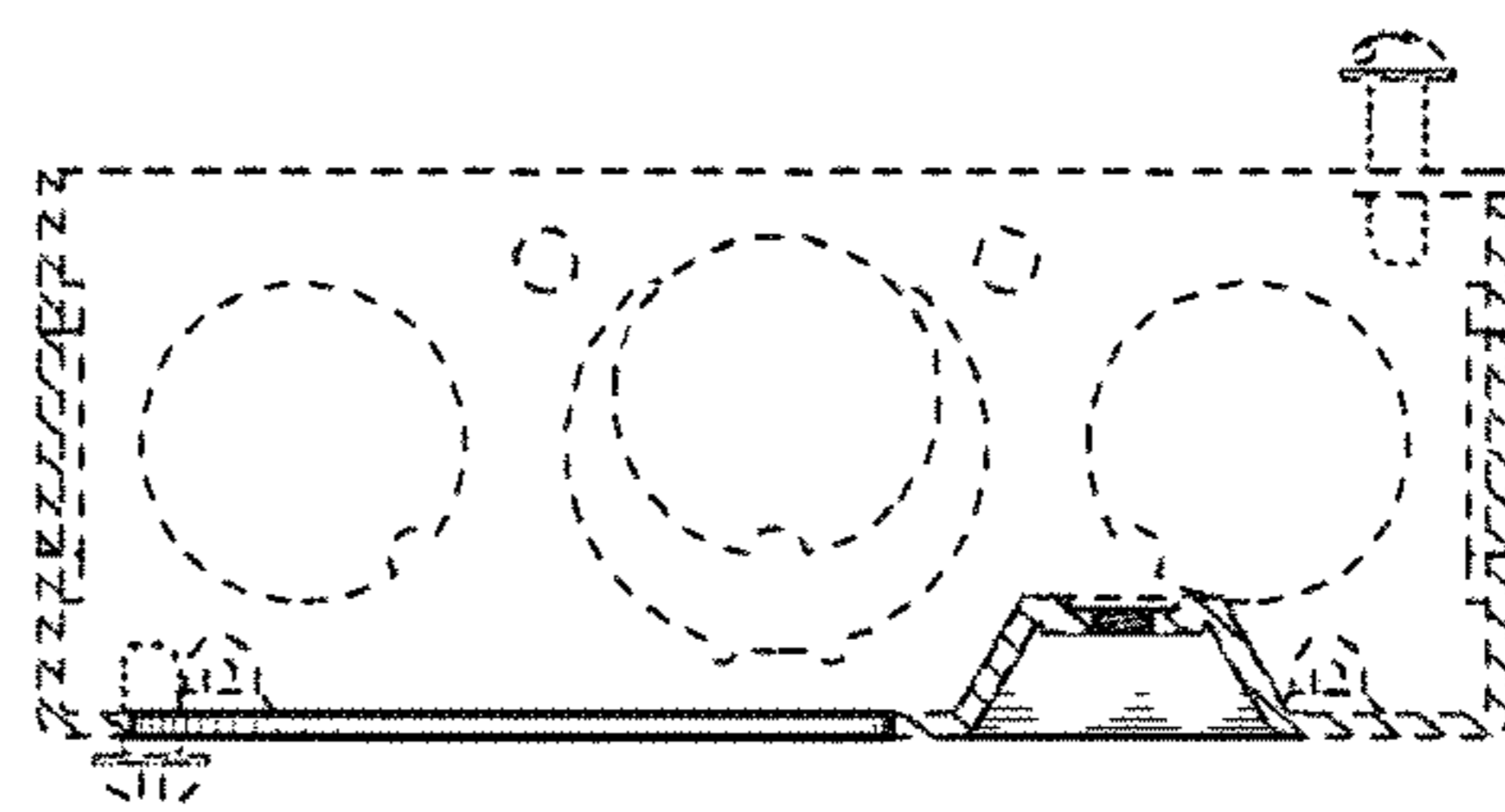


FIG. 5

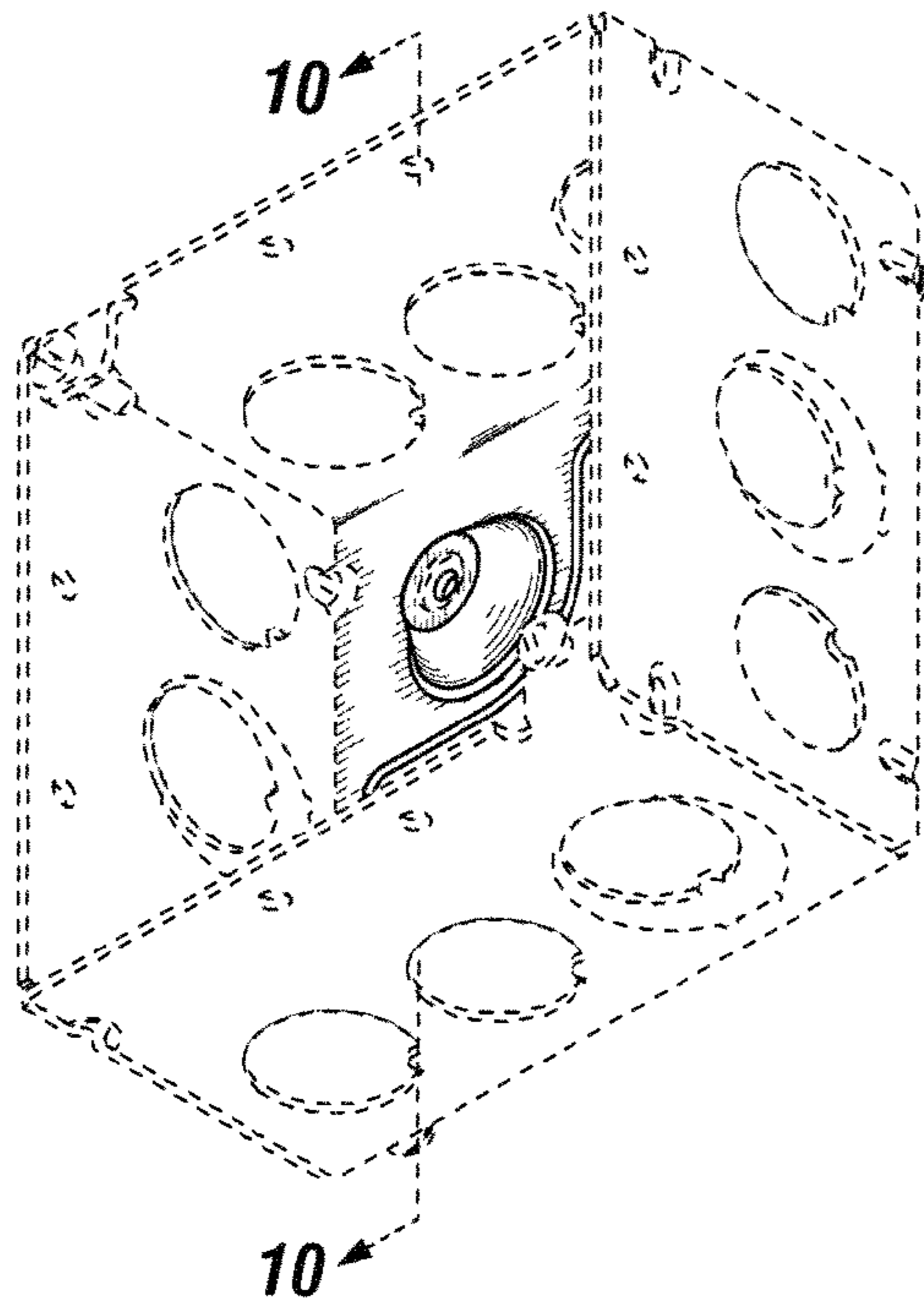


FIG. 6

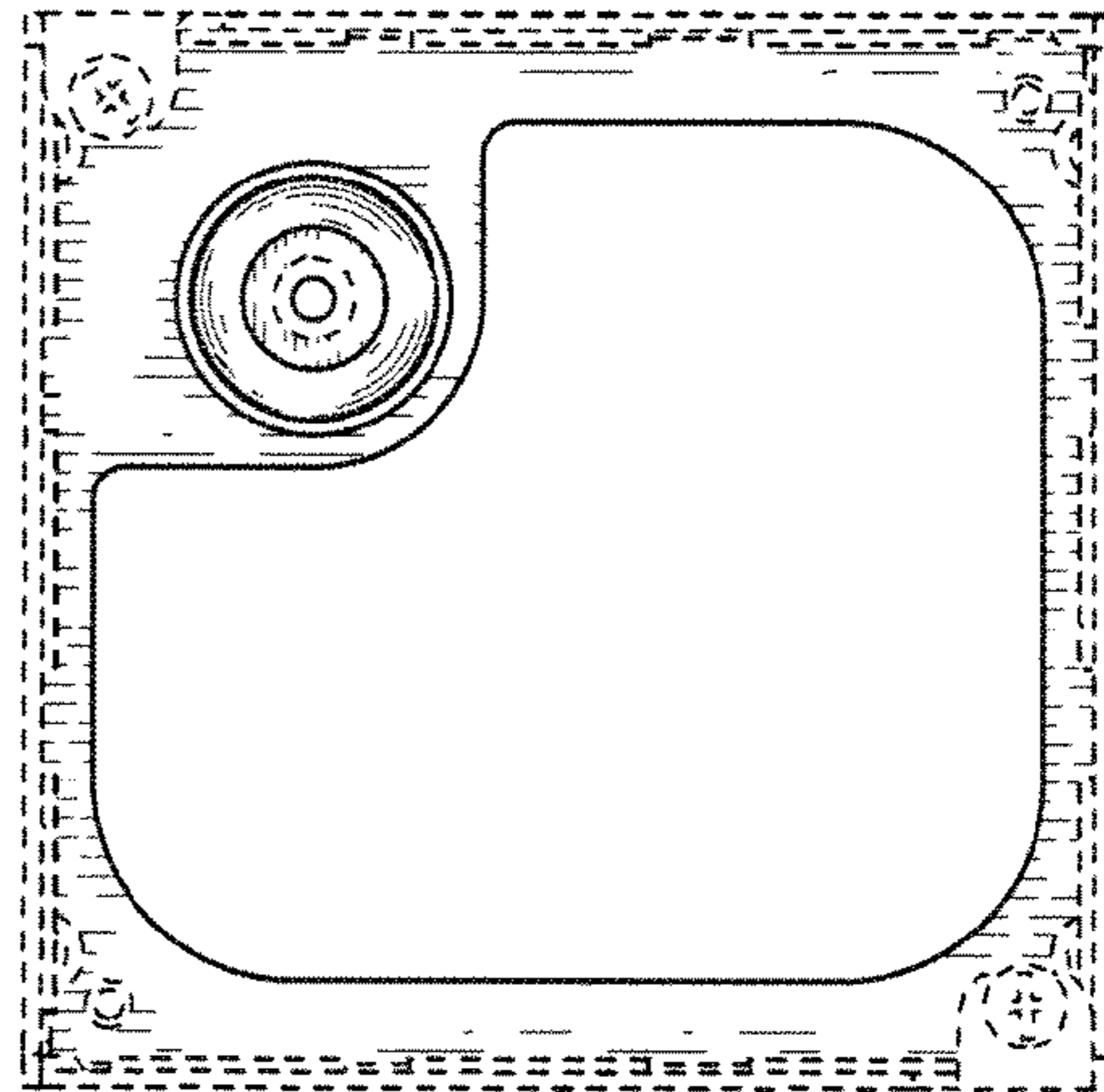


FIG. 7

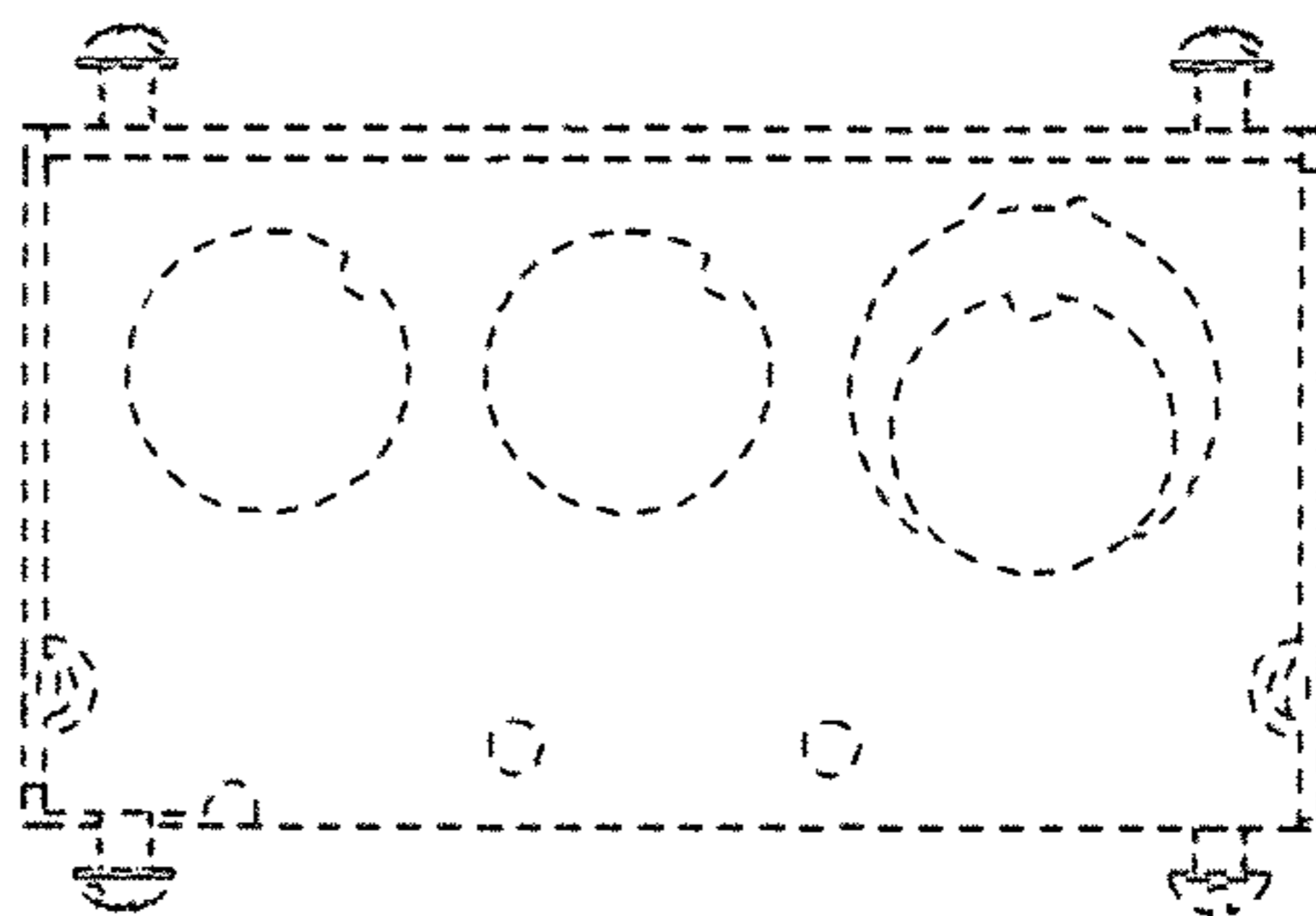


FIG. 8

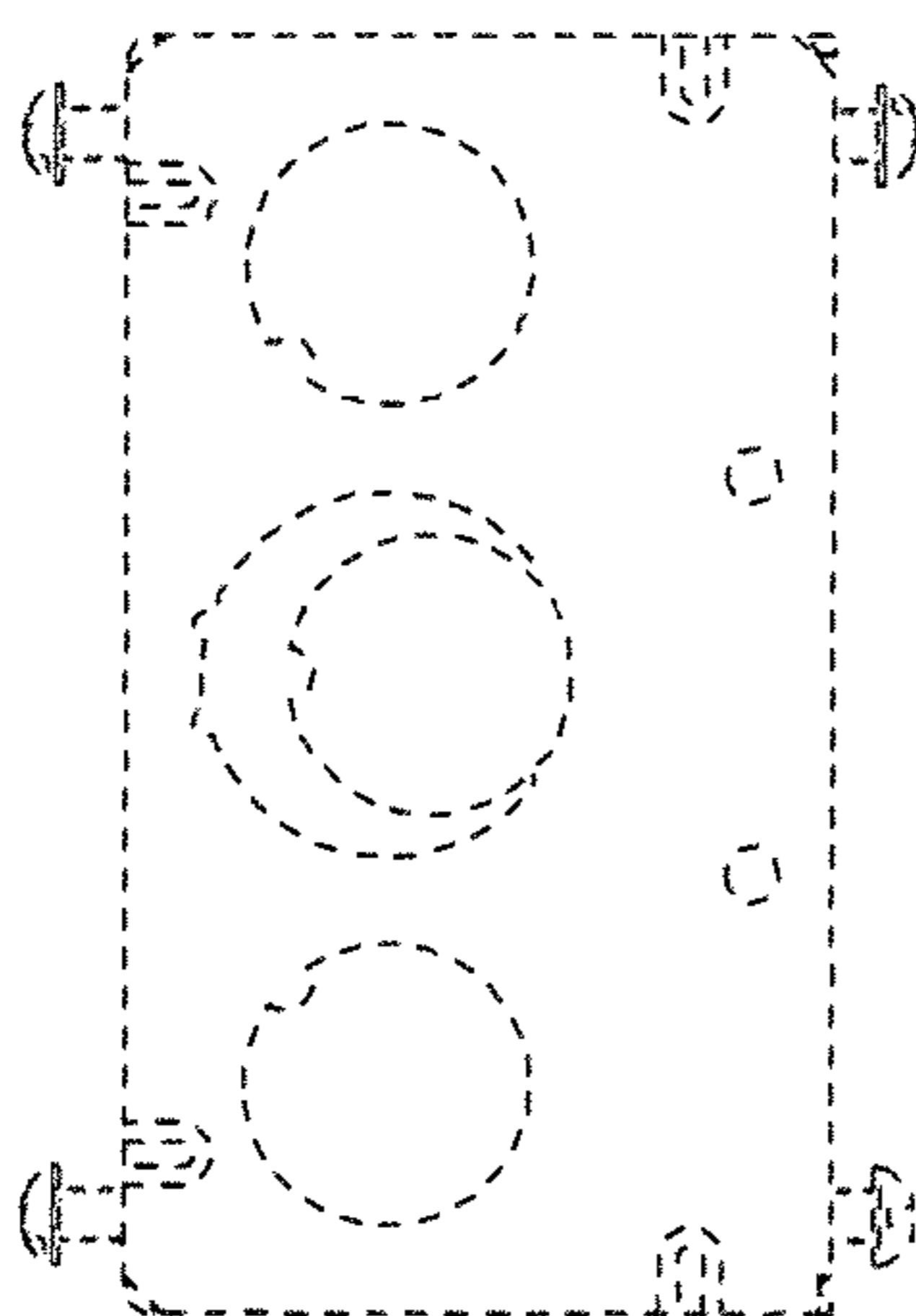


FIG. 9

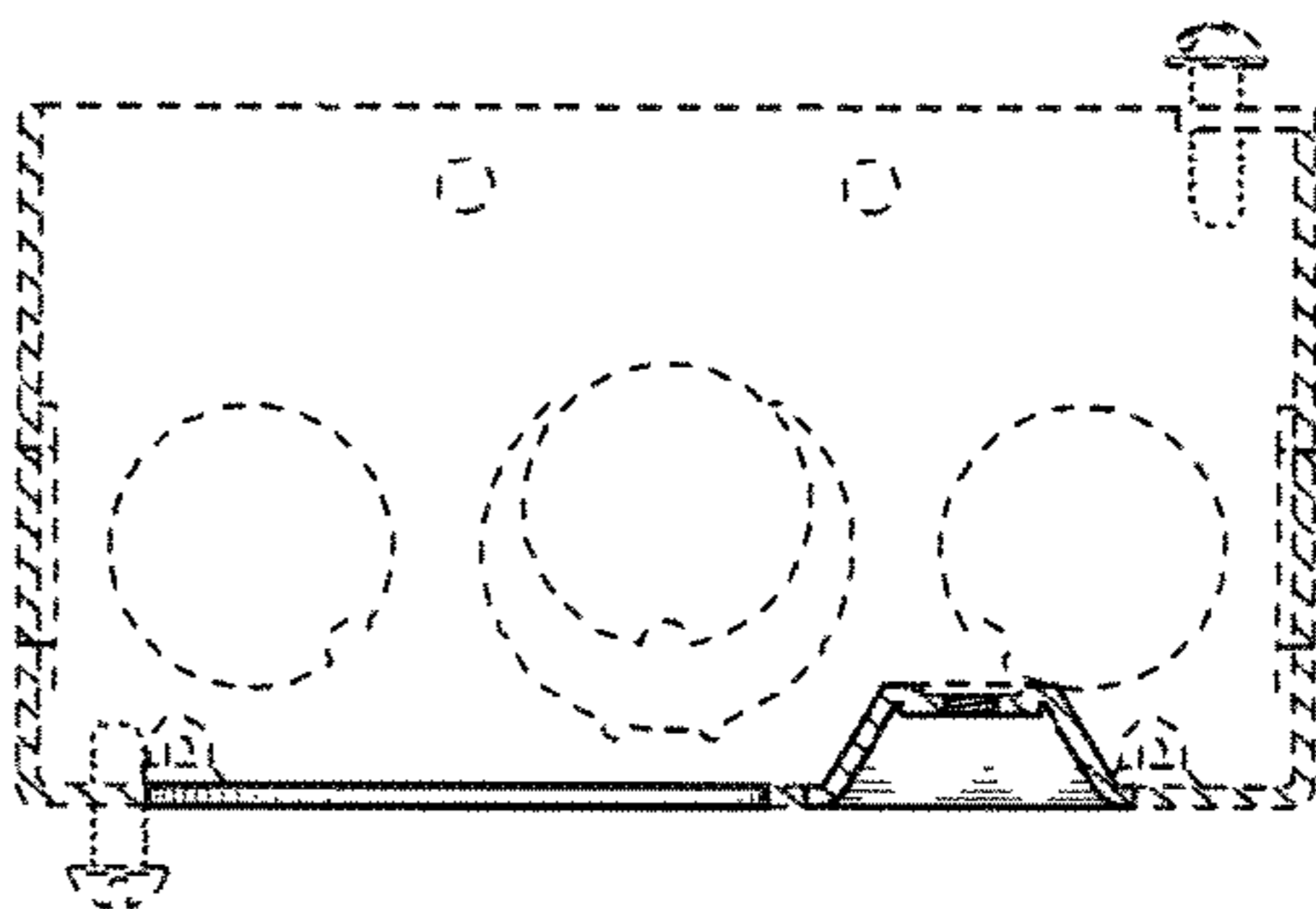


FIG. 10