



US00D679251S

(12) **United States Design Patent**
Yokoyama

(10) **Patent No.:** **US D679,251 S**

(45) **Date of Patent:** **** Apr. 2, 2013**

(54) **ELECTRICAL CONNECTOR**

(75) Inventor: **Yohei Yokoyama**, Tokyo (JP)

(73) Assignee: **Japan Aviation Electronics Industry, Limited**, Tokyo (JP)

(**) Term: **14 Years**

(21) Appl. No.: **29/425,344**

(22) Filed: **Jun. 21, 2012**

(30) **Foreign Application Priority Data**

Jan. 12, 2012 (JP) 2012-000458

(51) **LOC (9) Cl.** **13-03**

(52) **U.S. Cl.** **D13/147**

(58) **Field of Classification Search** D13/133,
D13/147, 154, 184, 199; 439/79, 108, 180,
439/246, 374, 488, 527, 529, 530, 533, 540.1,
439/541.5, 607.1, 607.4, 607.5, 607.17, 607.25,
439/607.34, 607.41, 607.53, 660, 676, 680,
439/883, 891, 892, 894

See application file for complete search history.

(56) **References Cited**

U.S. PATENT DOCUMENTS

D488,446 S * 4/2004 Sato D13/147
D552,554 S * 10/2007 Lin et al. D13/147
D555,103 S * 11/2007 Iino et al. D13/147

D570,784 S * 6/2008 Lin et al. D13/147
D595,657 S * 7/2009 Liu et al. D13/147
D610,550 S * 2/2010 Iino et al. D13/154
2010/0087098 A1 * 4/2010 Sloey et al. 439/660

* cited by examiner

Primary Examiner — Daniel Bui

(74) *Attorney, Agent, or Firm* — Westerman, Hattori,
Daniels & Adrian, LLP

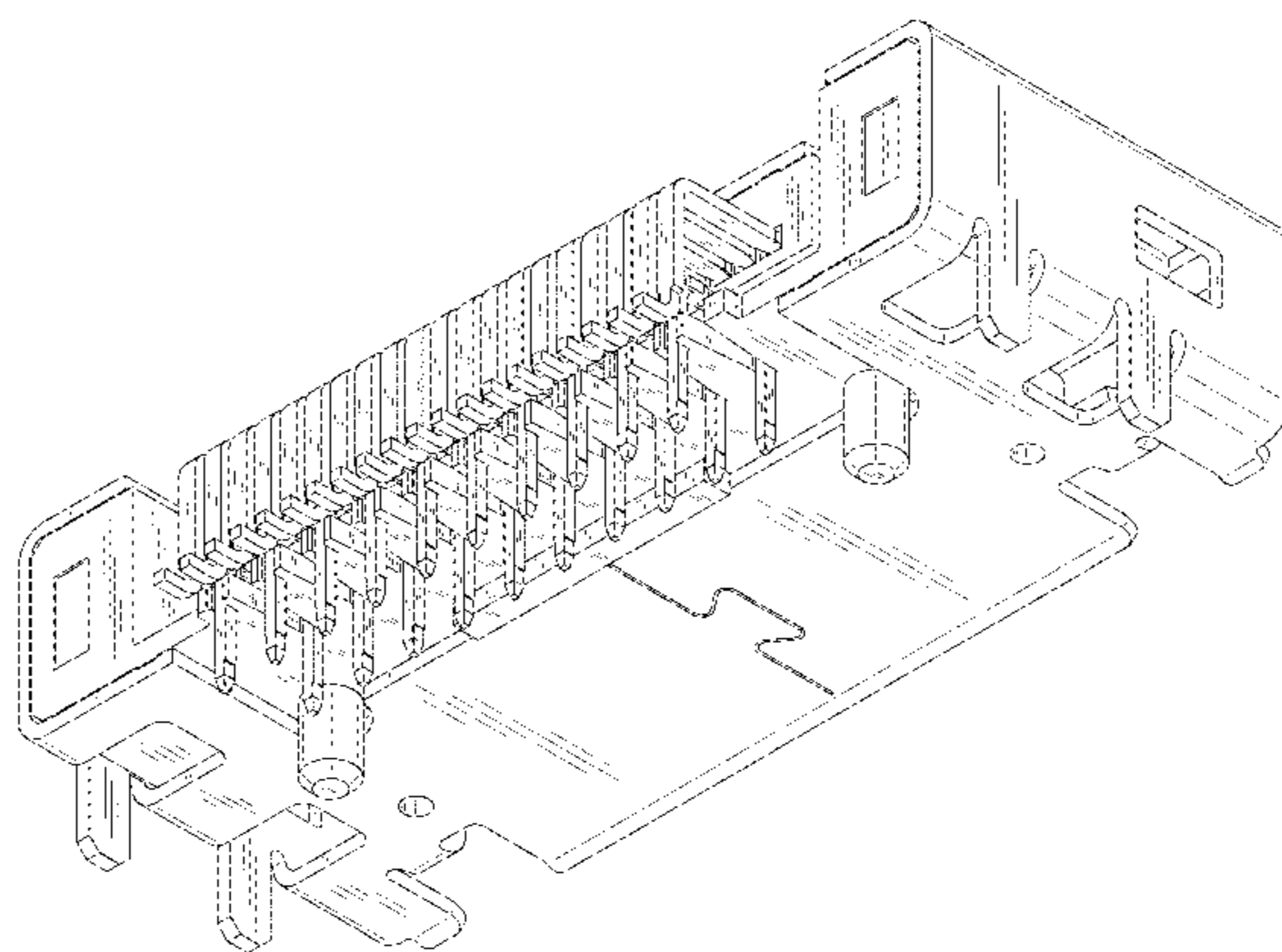
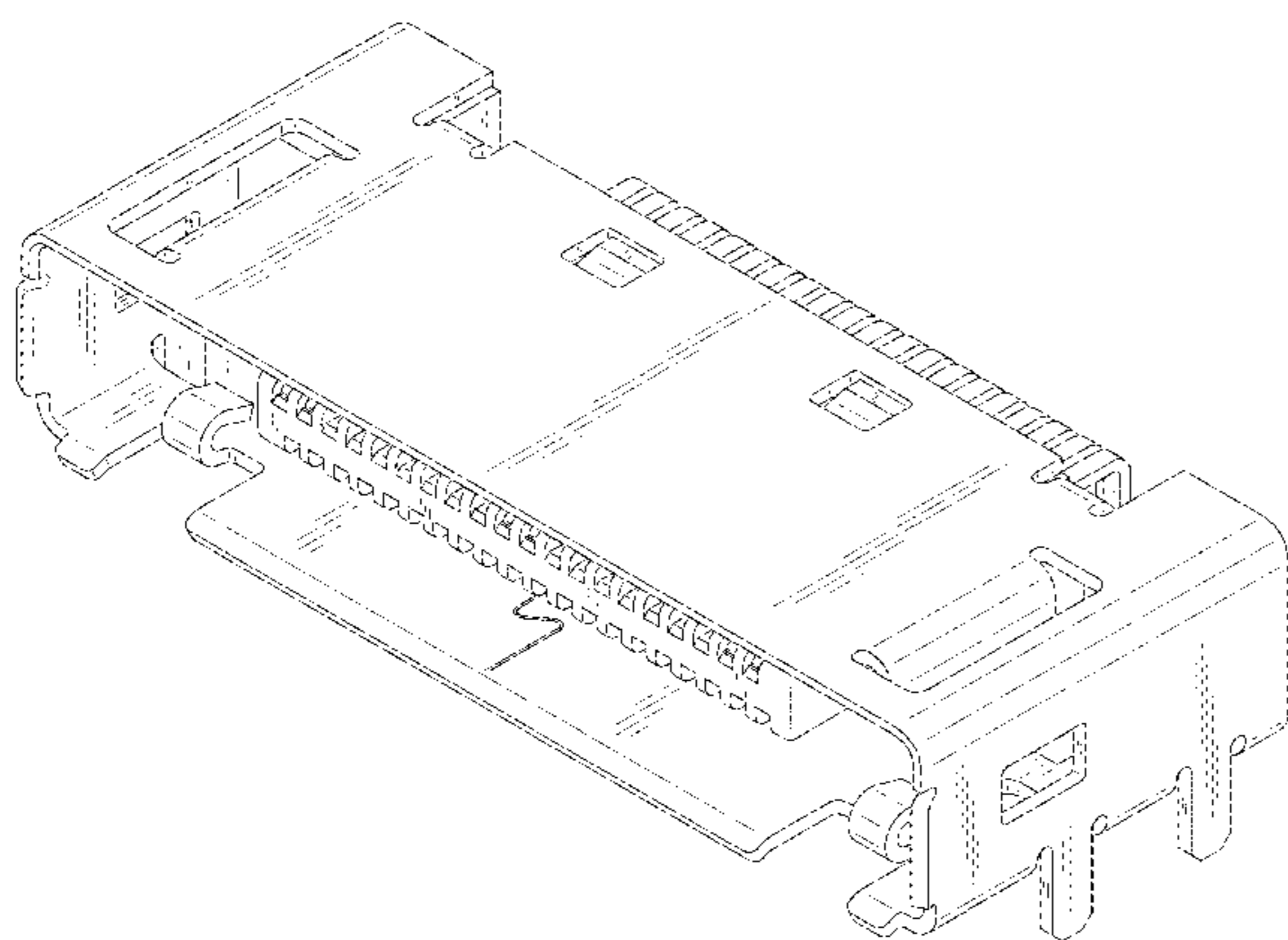
(57) **CLAIM**

The ornamental design for an electrical connector, as shown and described.

DESCRIPTION

FIG. 1 is a front elevational view of an electrical connector showing my new design;
FIG. 2 is a rear elevational view thereof;
FIG. 3 is a right side elevational view thereof;
FIG. 4 is a left side elevational view thereof;
FIG. 5 is a top plan view thereof;
FIG. 6 is a bottom plan view thereof;
FIG. 7 is a front, top and right side perspective view thereof;
FIG. 8 is a rear, bottom and left side perspective view thereof;
FIG. 9 is a front, right and bottom side perspective view thereof; and,
FIG. 10 is a rear, left and top side perspective view thereof.

1 Claim, 10 Drawing Sheets



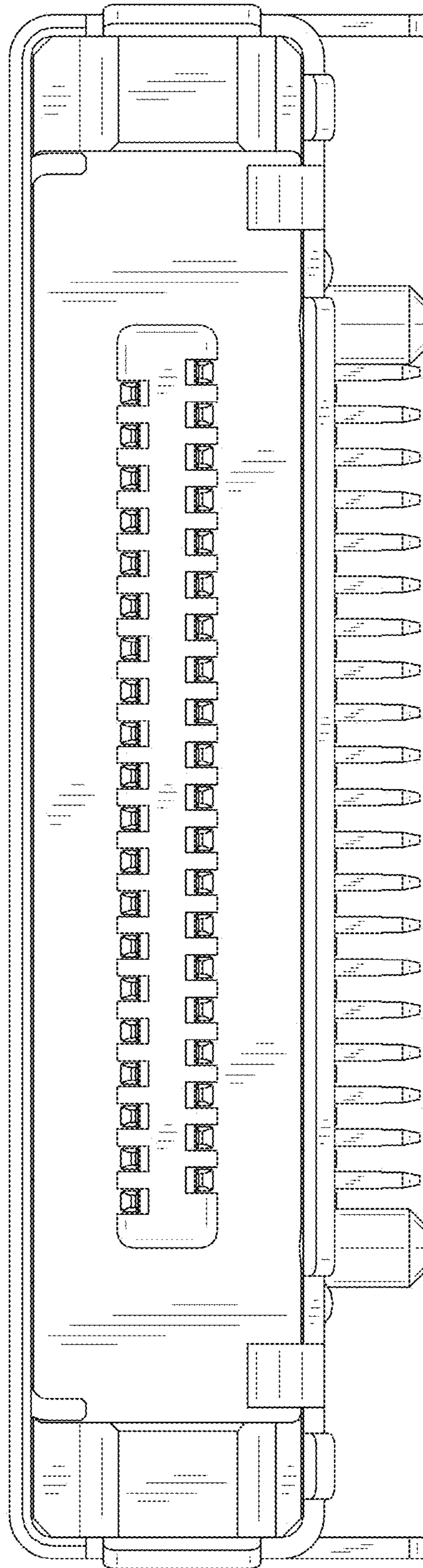


FIG. 1

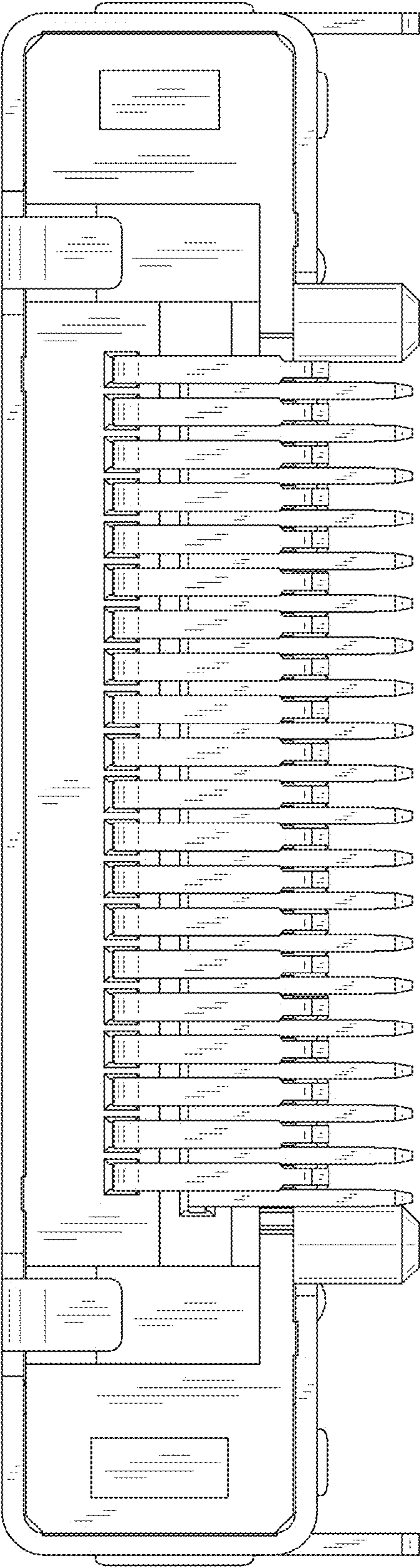


FIG. 2

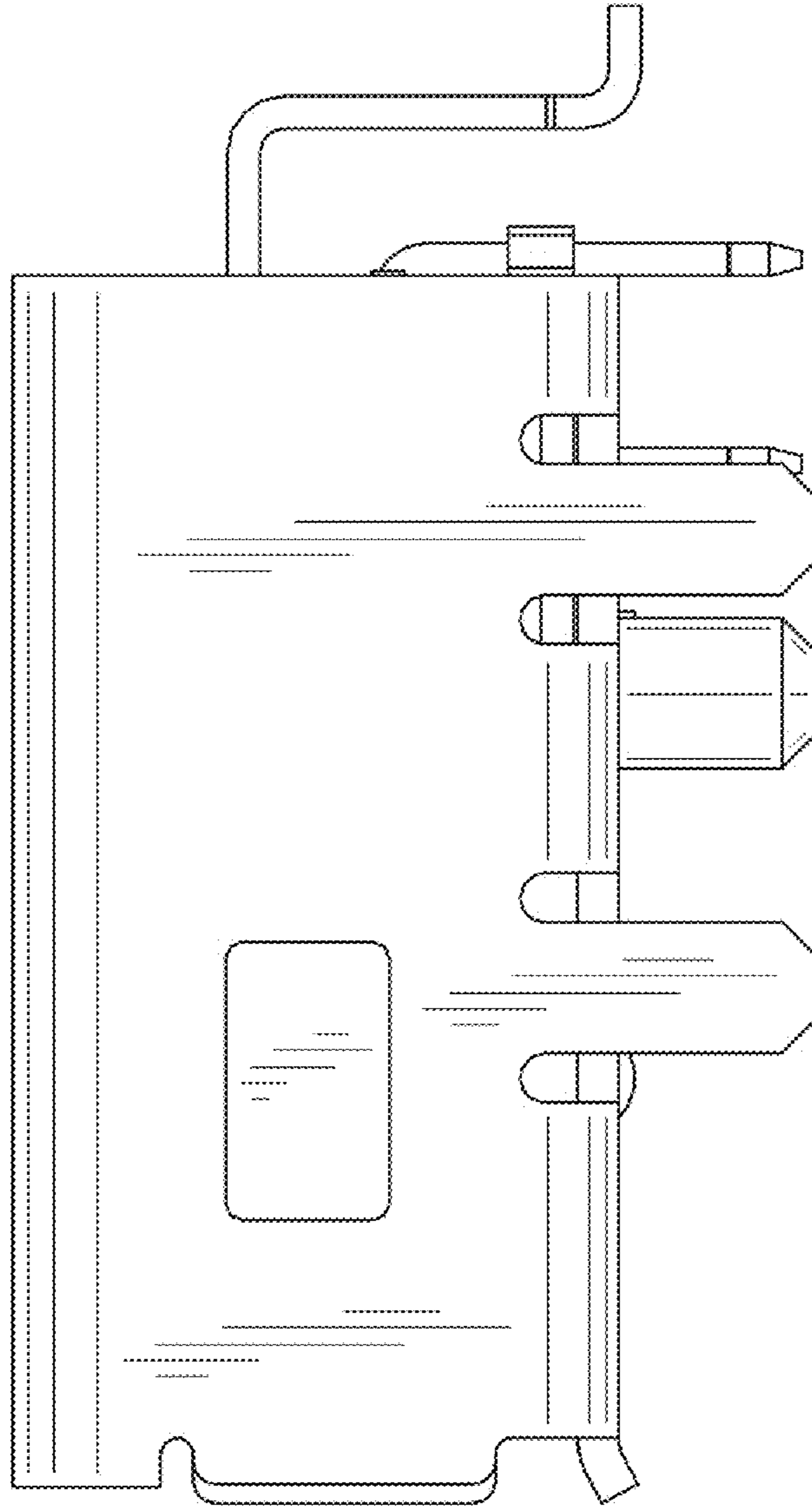


FIG. 3

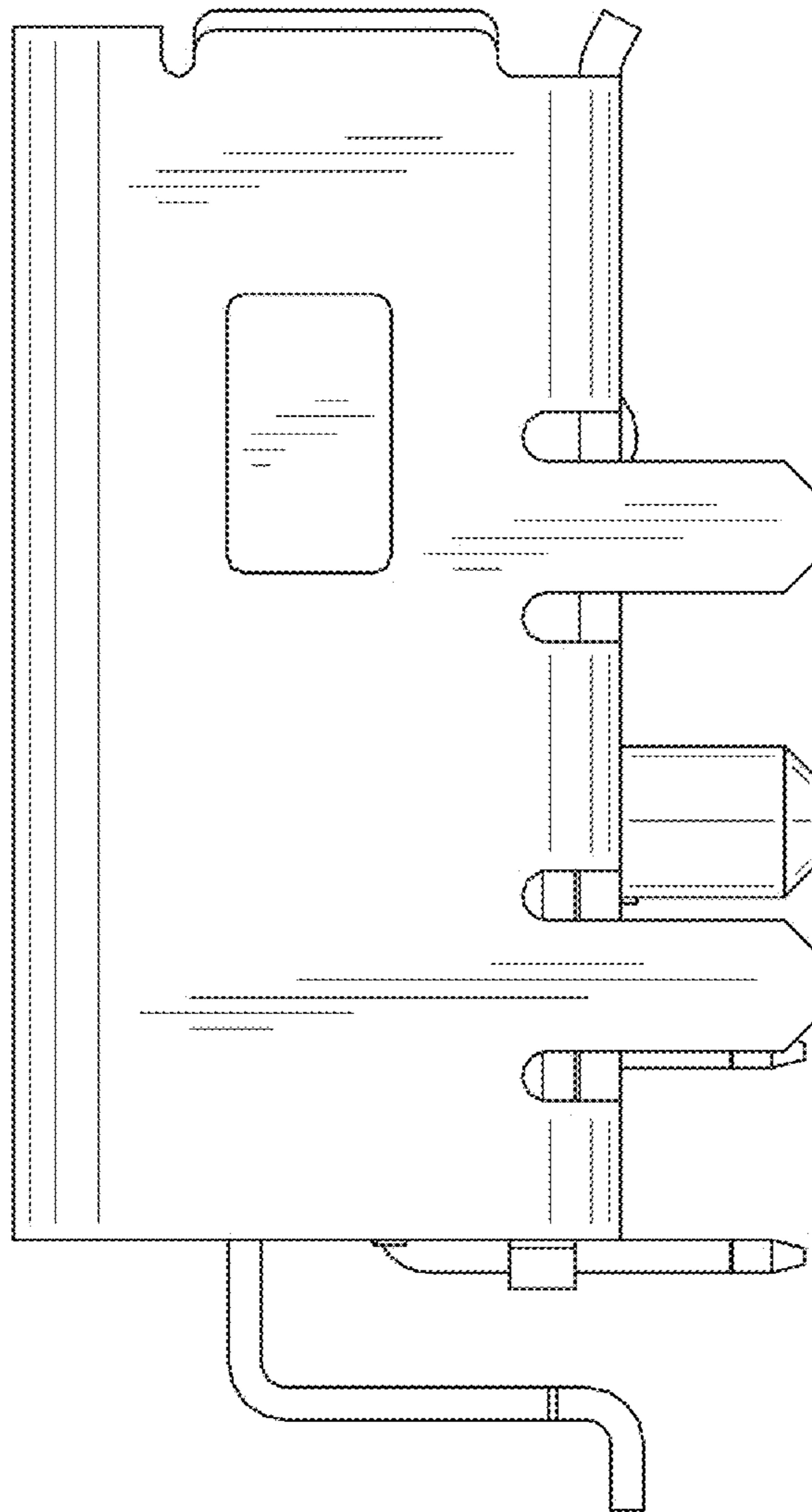


FIG. 4

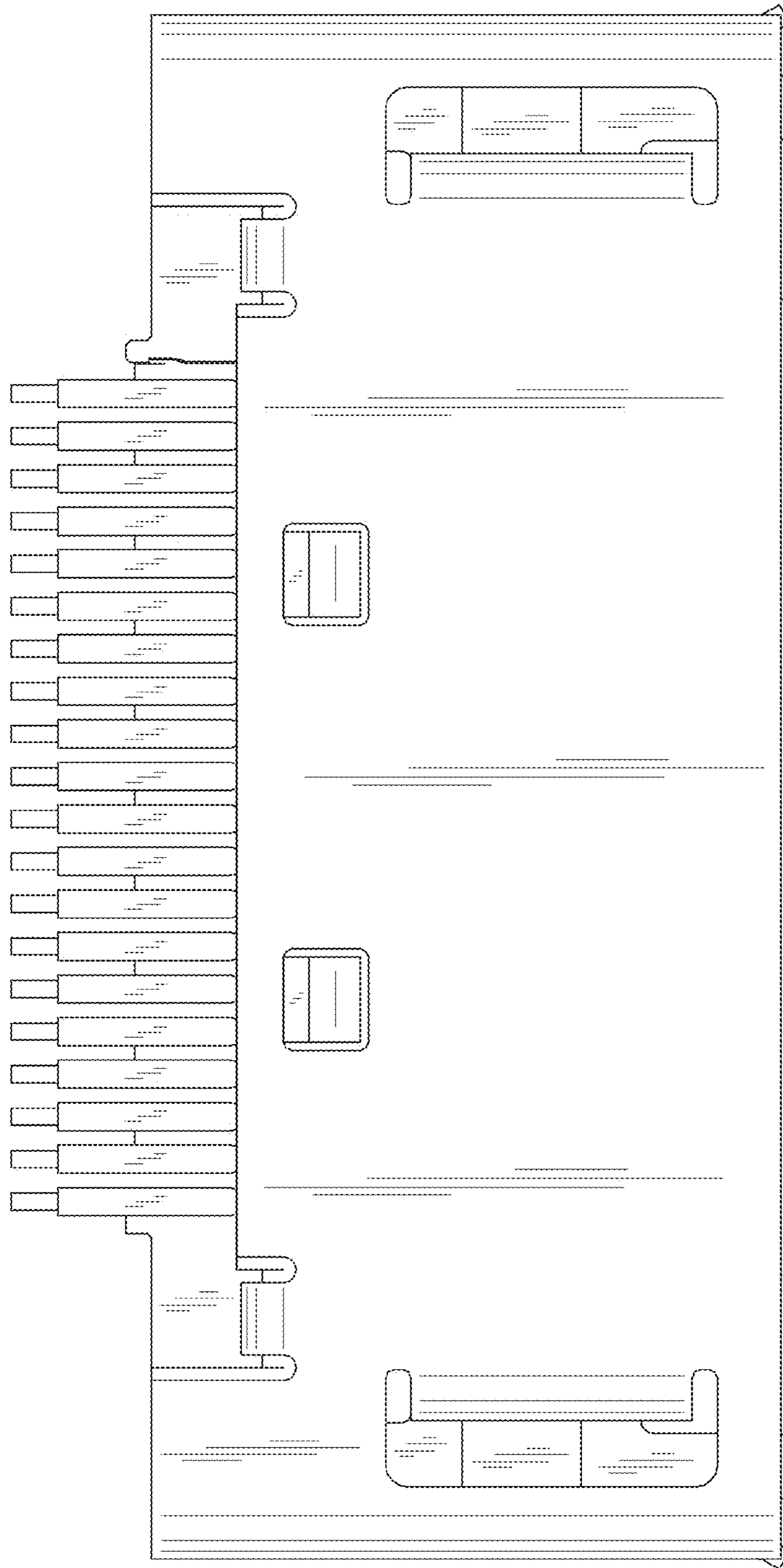


FIG. 5

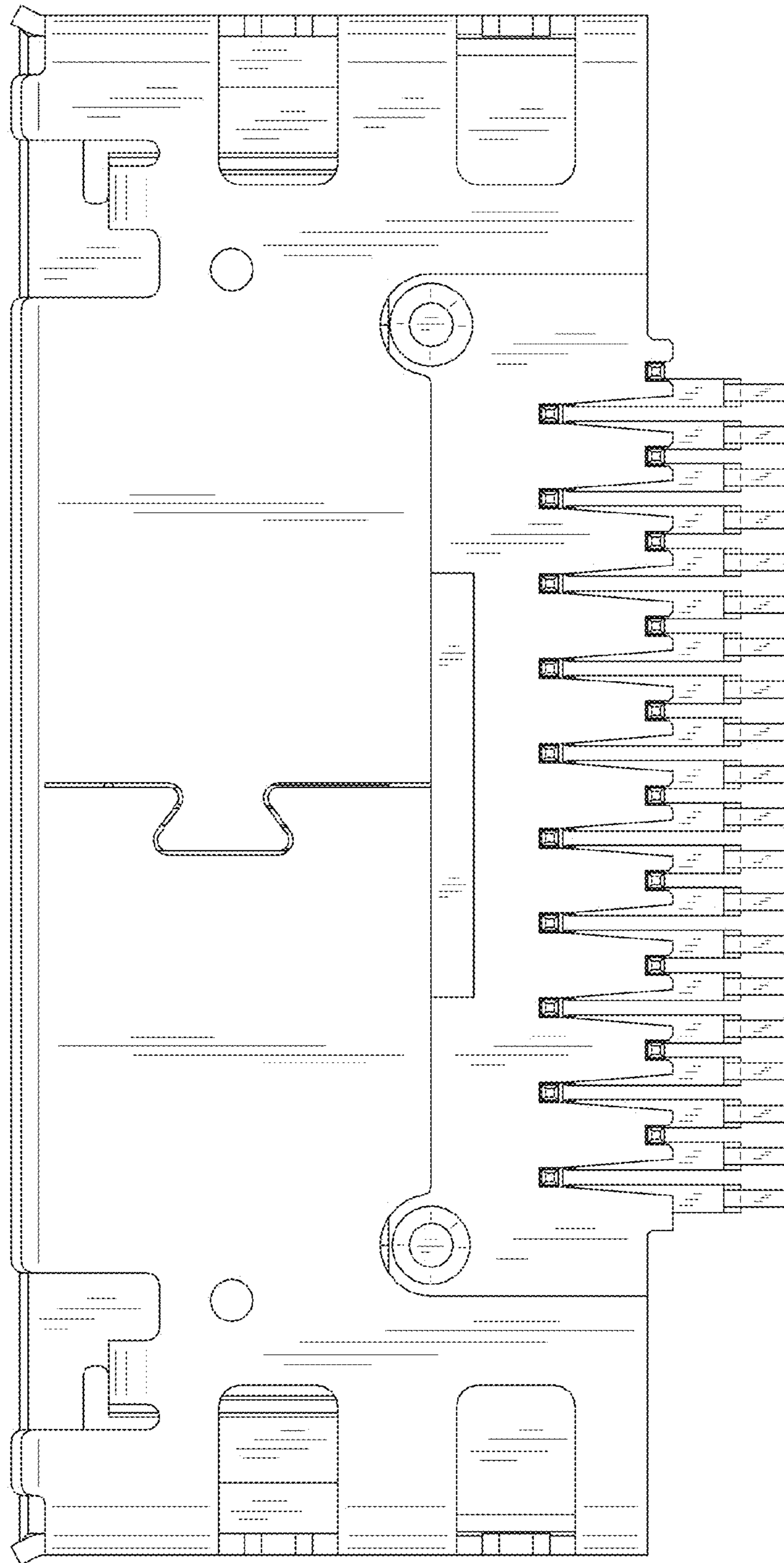


FIG. 6

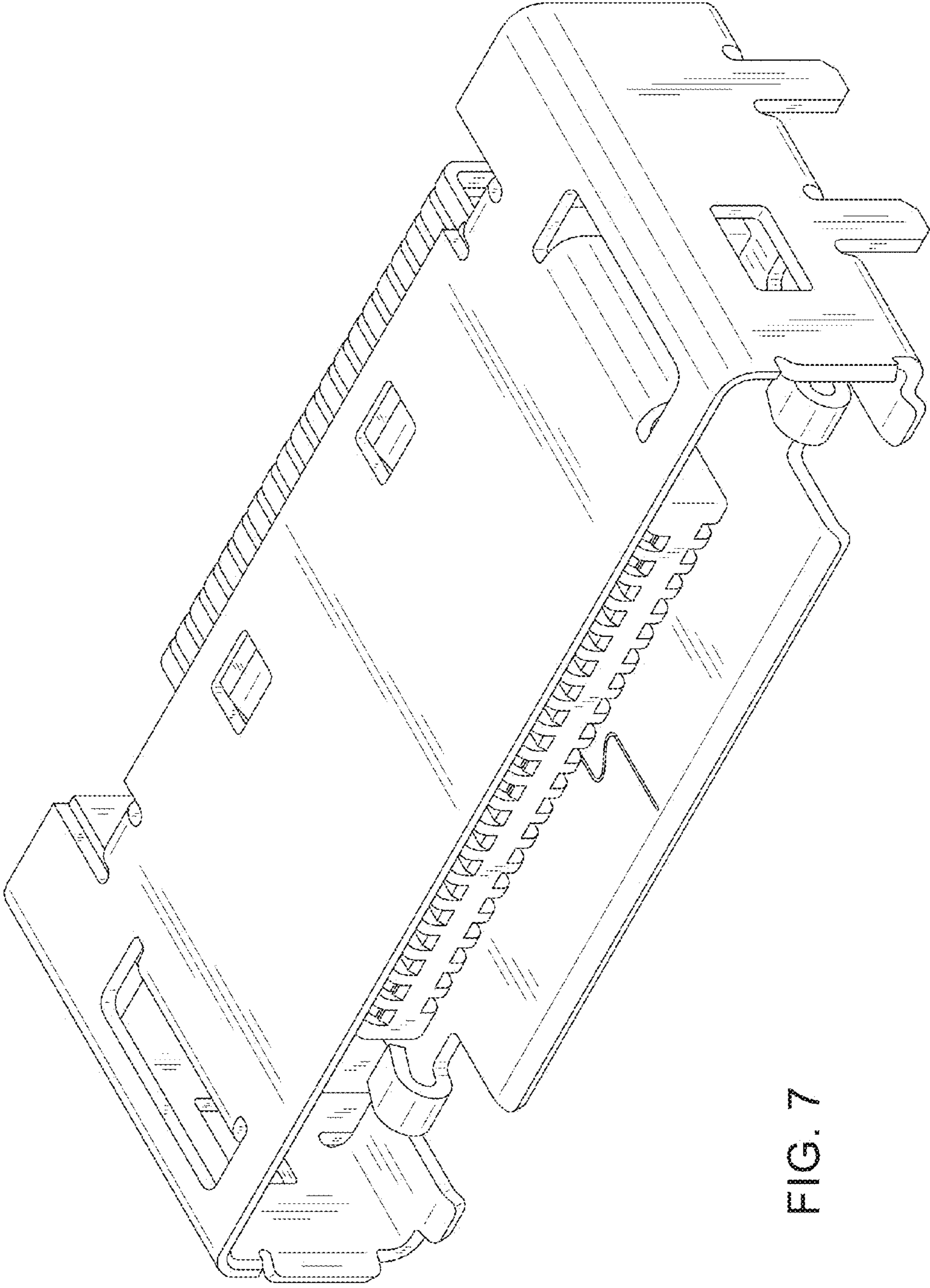


FIG. 7

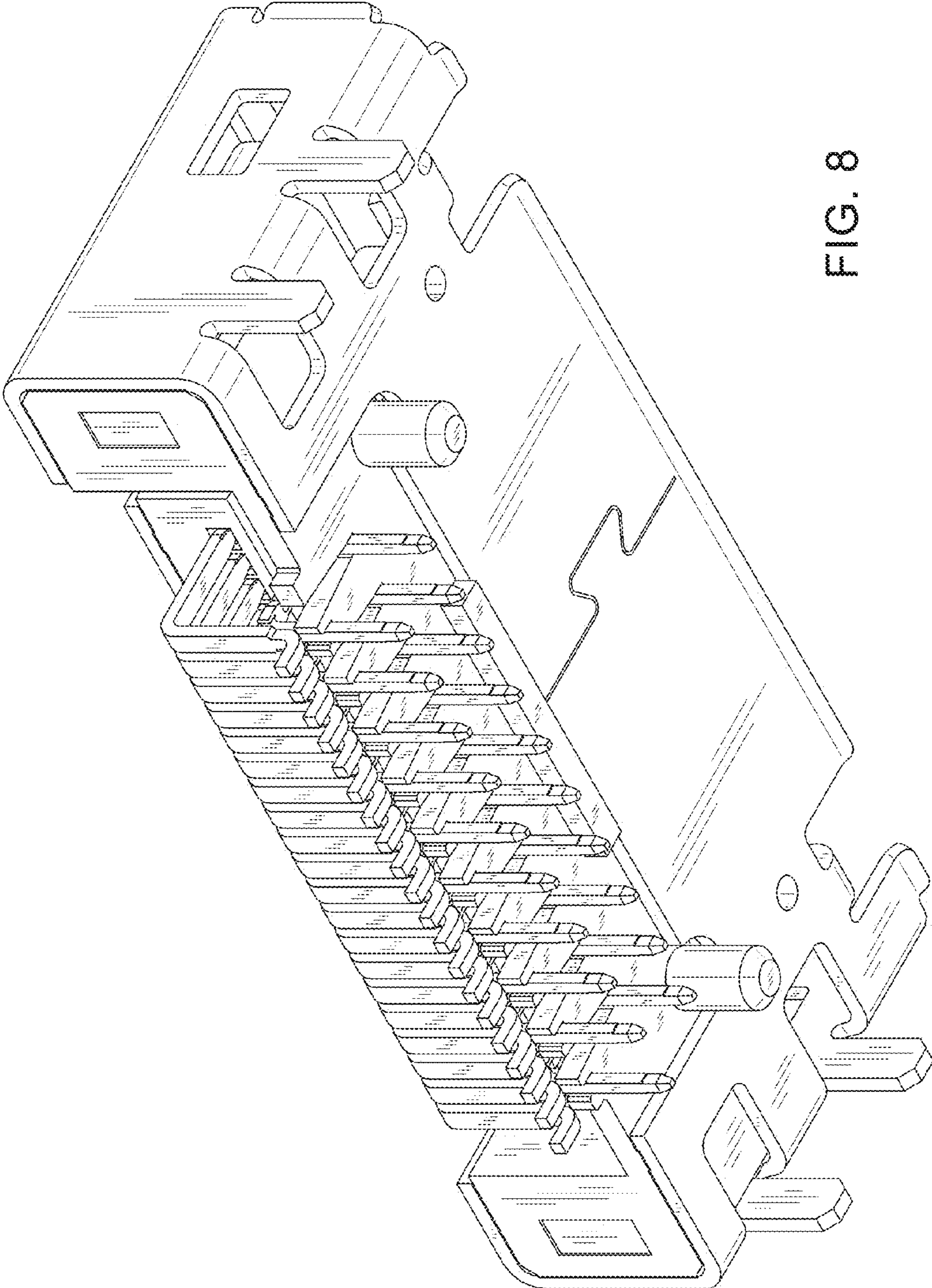


FIG. 8

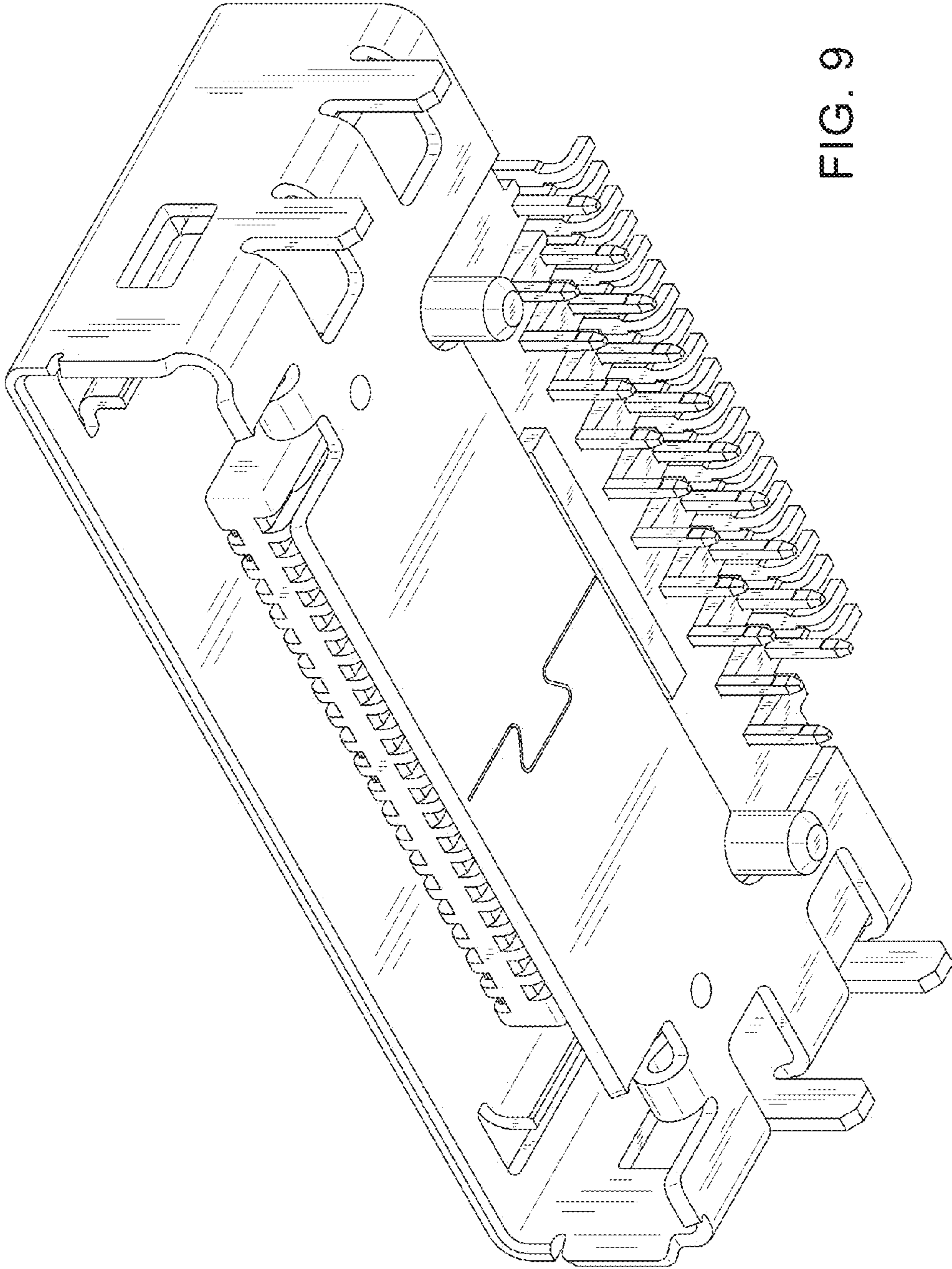


FIG. 9

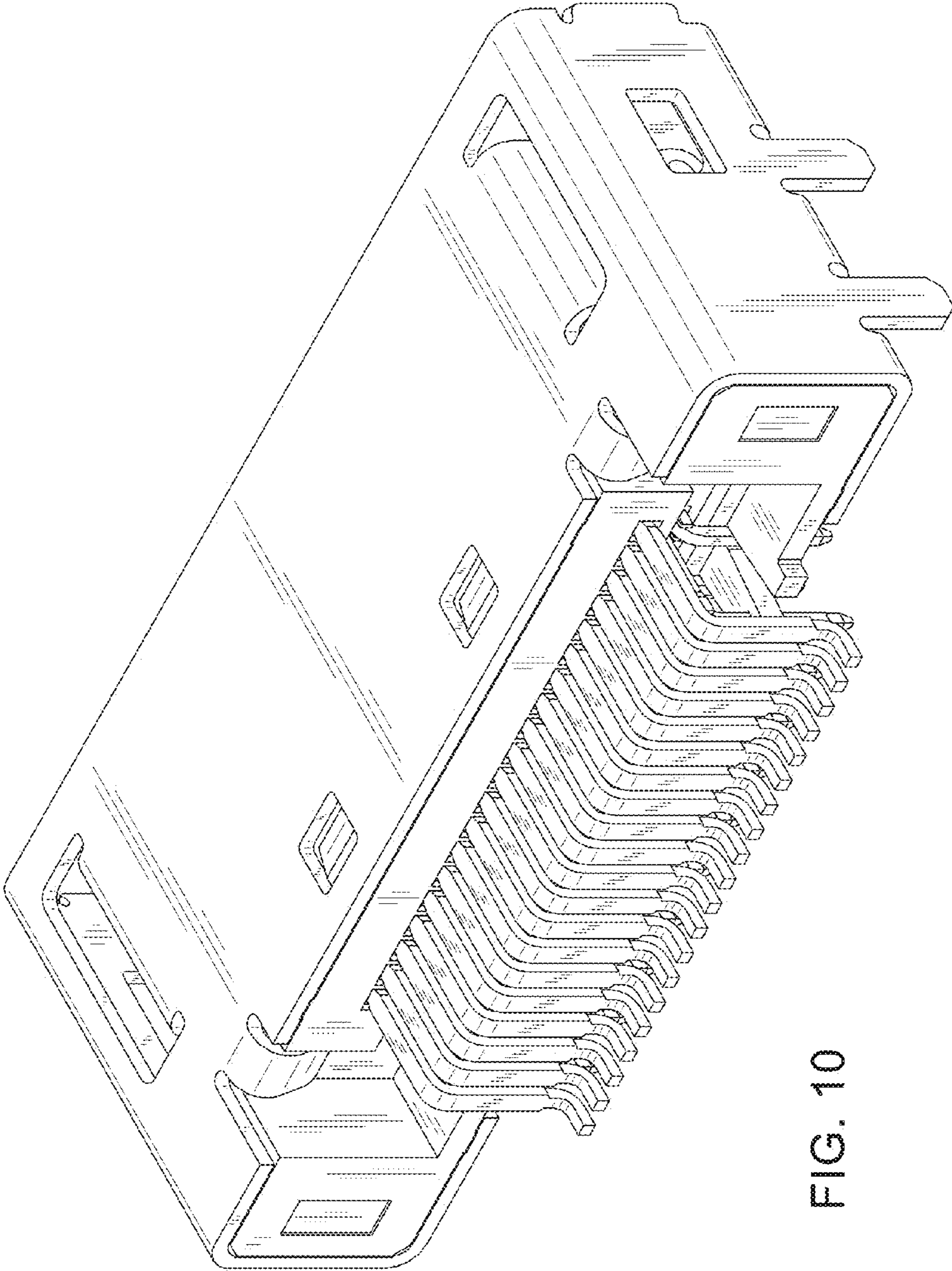


FIG. 10