



US00D679250S

(12) **United States Design Patent**
Choi et al.

(10) **Patent No.:** **US D679,250 S**

(45) **Date of Patent:** **** Apr. 2, 2013**

(54) **HDMI CONNECTOR**

(75) Inventors: **Gyoo-Sang Choi**, Seoul (KR);
Yeoung-Kyu Yoo, Seoul (KR)

(73) Assignee: **Samsung Electronics Co., Ltd.** (KR)

(**) Term: **14 Years**

(21) Appl. No.: **29/398,066**

(22) Filed: **Jul. 26, 2011**

(30) **Foreign Application Priority Data**

Apr. 22, 2011 (KR) 30-2011-0016577

(51) **LOC (9) Cl.** **13-03**

(52) **U.S. Cl.** **D13/147**

(58) **Field of Classification Search** D13/133,
D13/146, 147, 154, 184, 199; 439/79, 248,
439/258, 274, 350, 353, 358, 447, 660, 607.01,
439/607.02, 607.04, 607.05, 607.17, 607.25,
439/607.34, 607.53, 677, 680, 682, 686

See application file for complete search history.

(56) **References Cited**

U.S. PATENT DOCUMENTS

D516,030 S * 2/2006 Han et al. D13/147
D563,899 S * 3/2008 Goetz et al. D13/154
D586,293 S * 2/2009 Fujino D13/133

D602,440 S * 10/2009 Wu et al. D13/147
D604,247 S * 11/2009 Zhao et al. D13/147
D623,145 S * 9/2010 Amidon et al. D13/154
2012/0028498 A1 * 2/2012 Na et al. 439/491

* cited by examiner

Primary Examiner — Daniel Bui

(74) *Attorney, Agent, or Firm* — NSIP Law

(57) **CLAIM**

The ornamental design for a HDMI connector, as shown and described.

DESCRIPTION

FIG. 1 is a perspective view of a HDMI connector showing our new design;

FIG. 2 is a front view thereof;

FIG. 3 is a rear view thereof;

FIG. 4 is a left-side view thereof;

FIG. 5 is a right-side view thereof;

FIG. 6 is a top plan view thereof;

FIG. 7 is a bottom plan view thereof;

FIG. 8 is bottom perspective view thereof; and,

FIG. 9 is a front view thereof, on a smaller scale, and in use condition.

The broken line in the drawing is included for the purpose of illustrating environment only and forms no part of the claimed design.

1 Claim, 7 Drawing Sheets

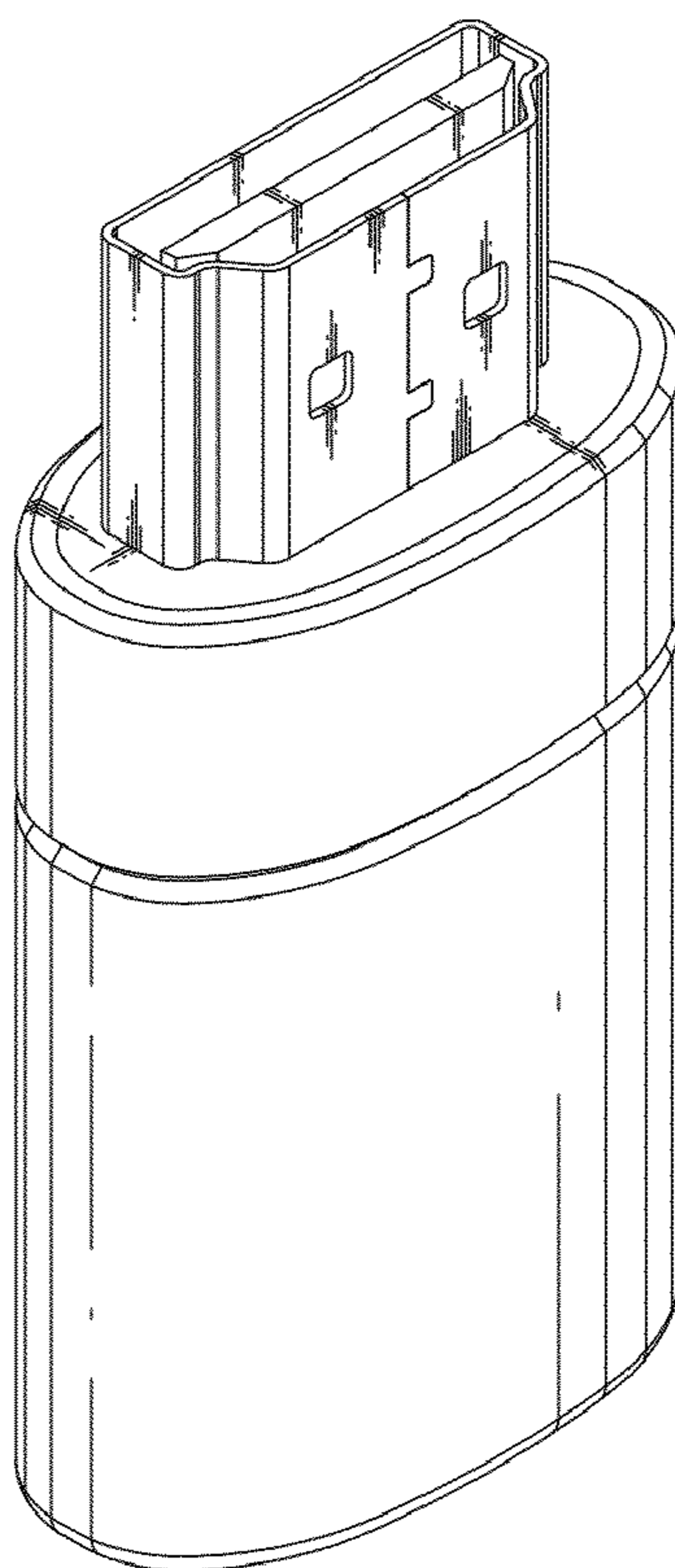


FIG. 1

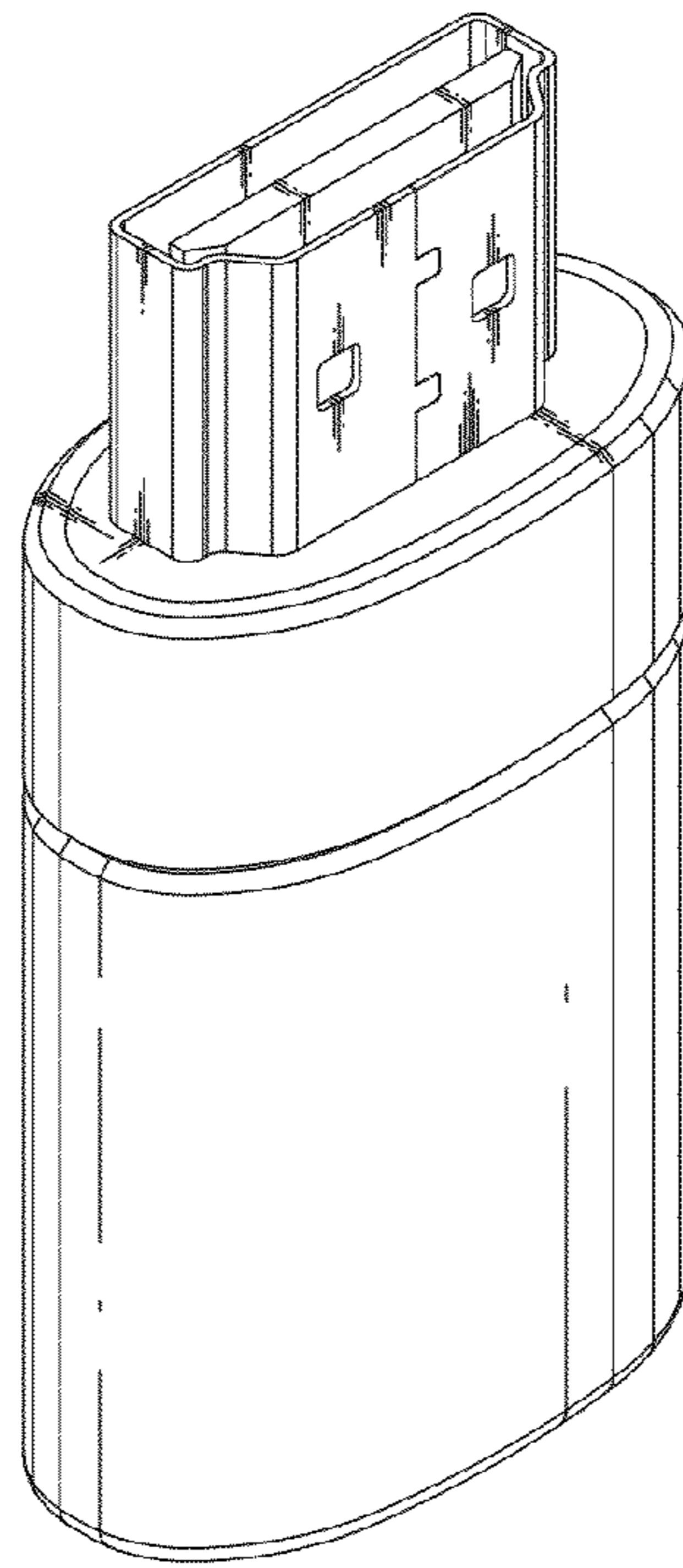


FIG. 2

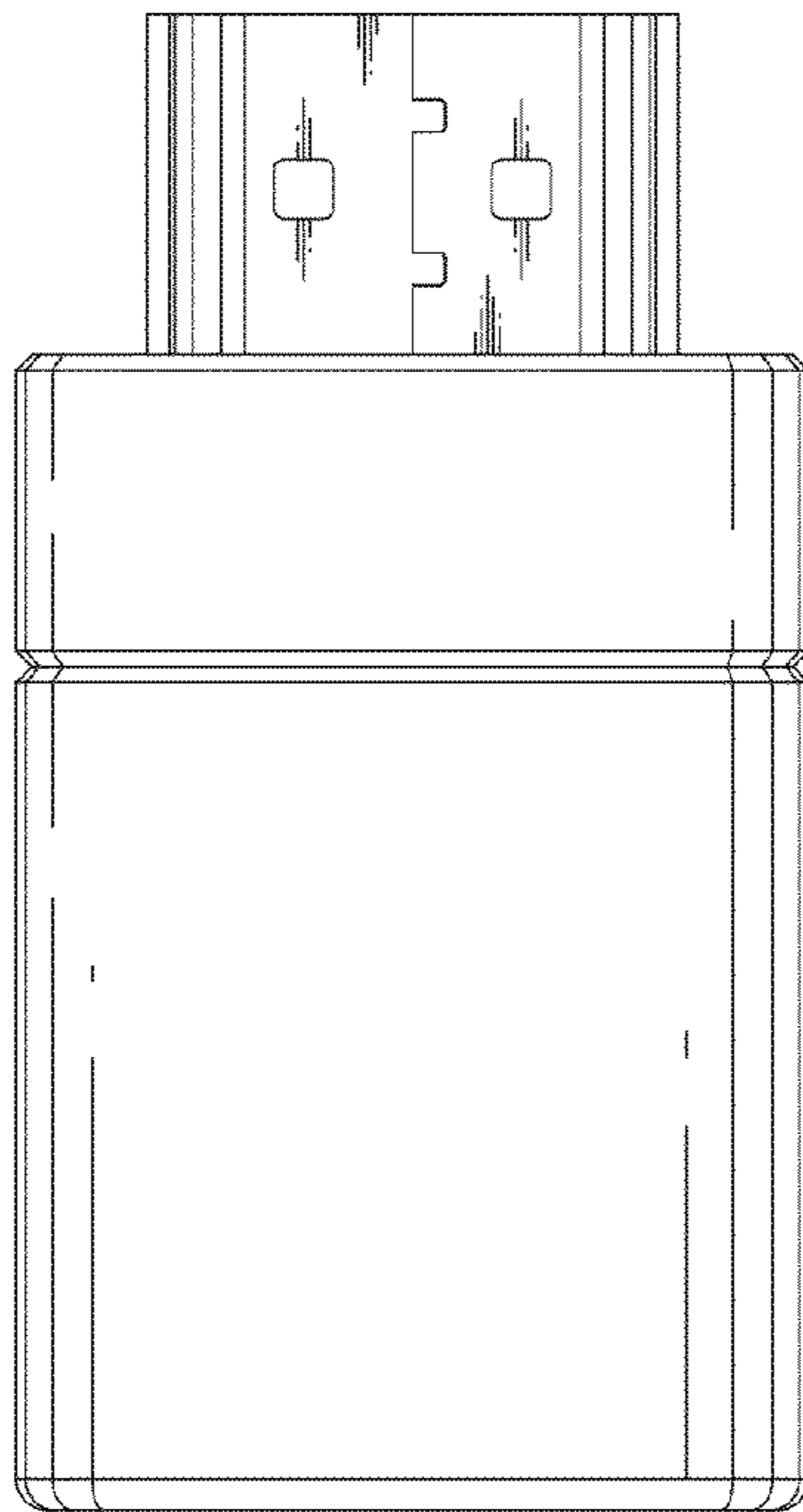


FIG. 3

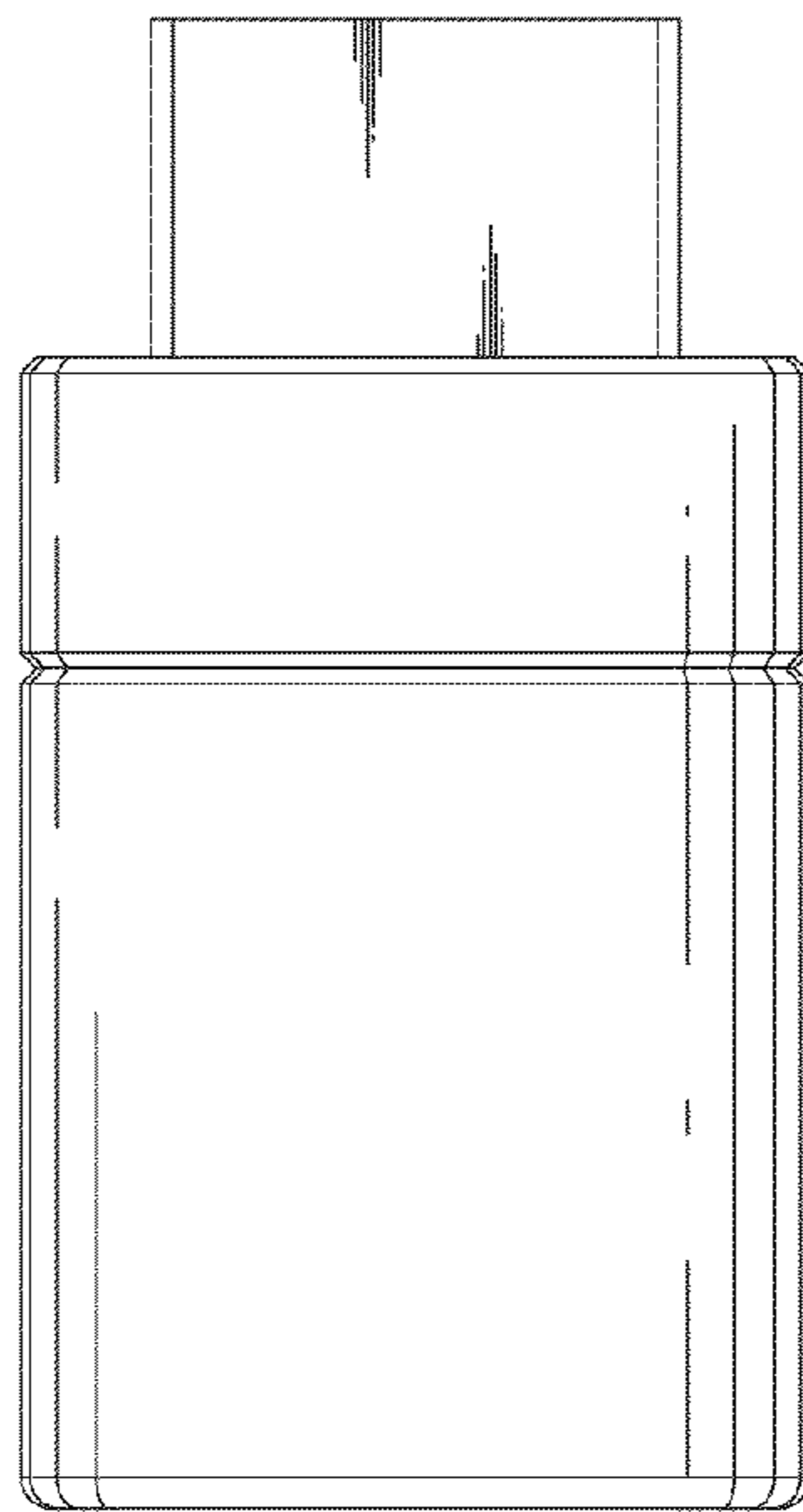


FIG. 4

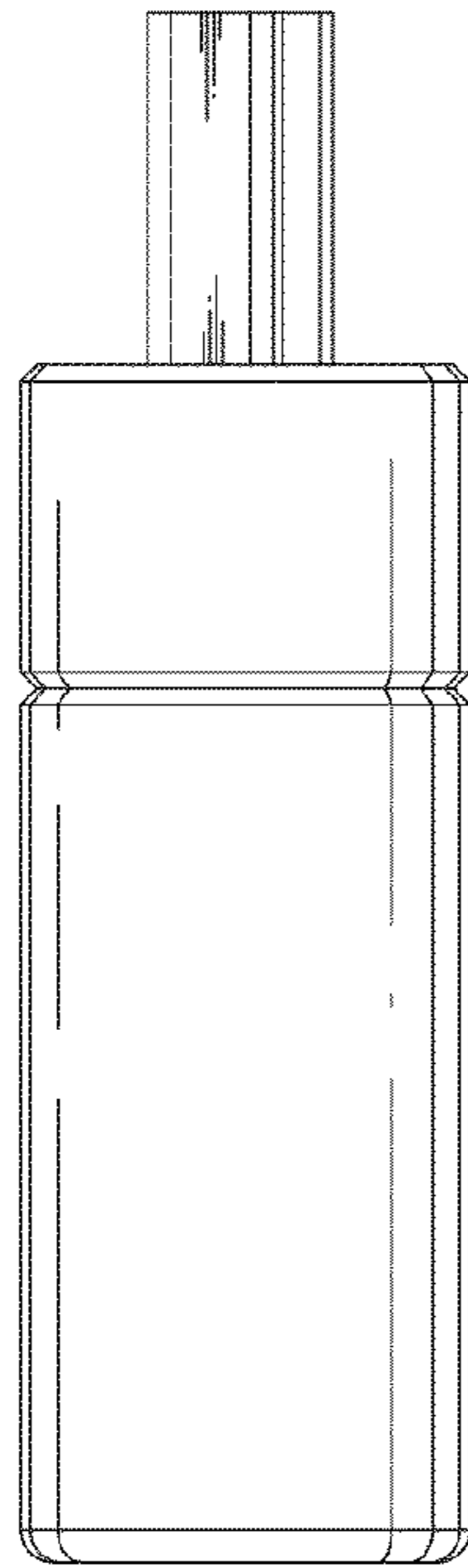


FIG. 5

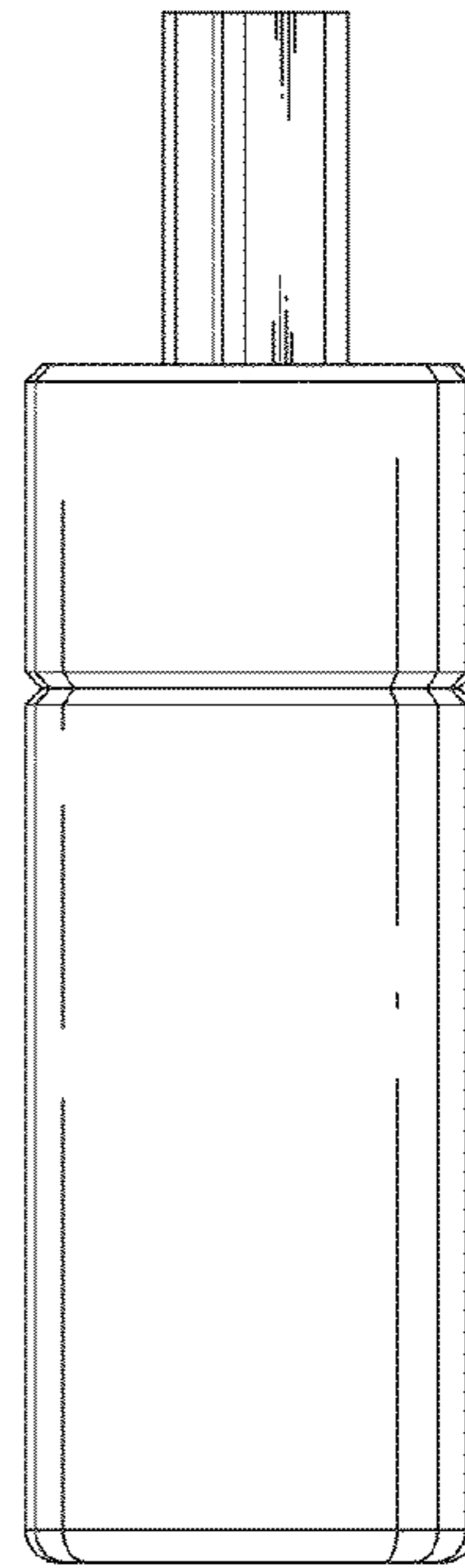


FIG. 6

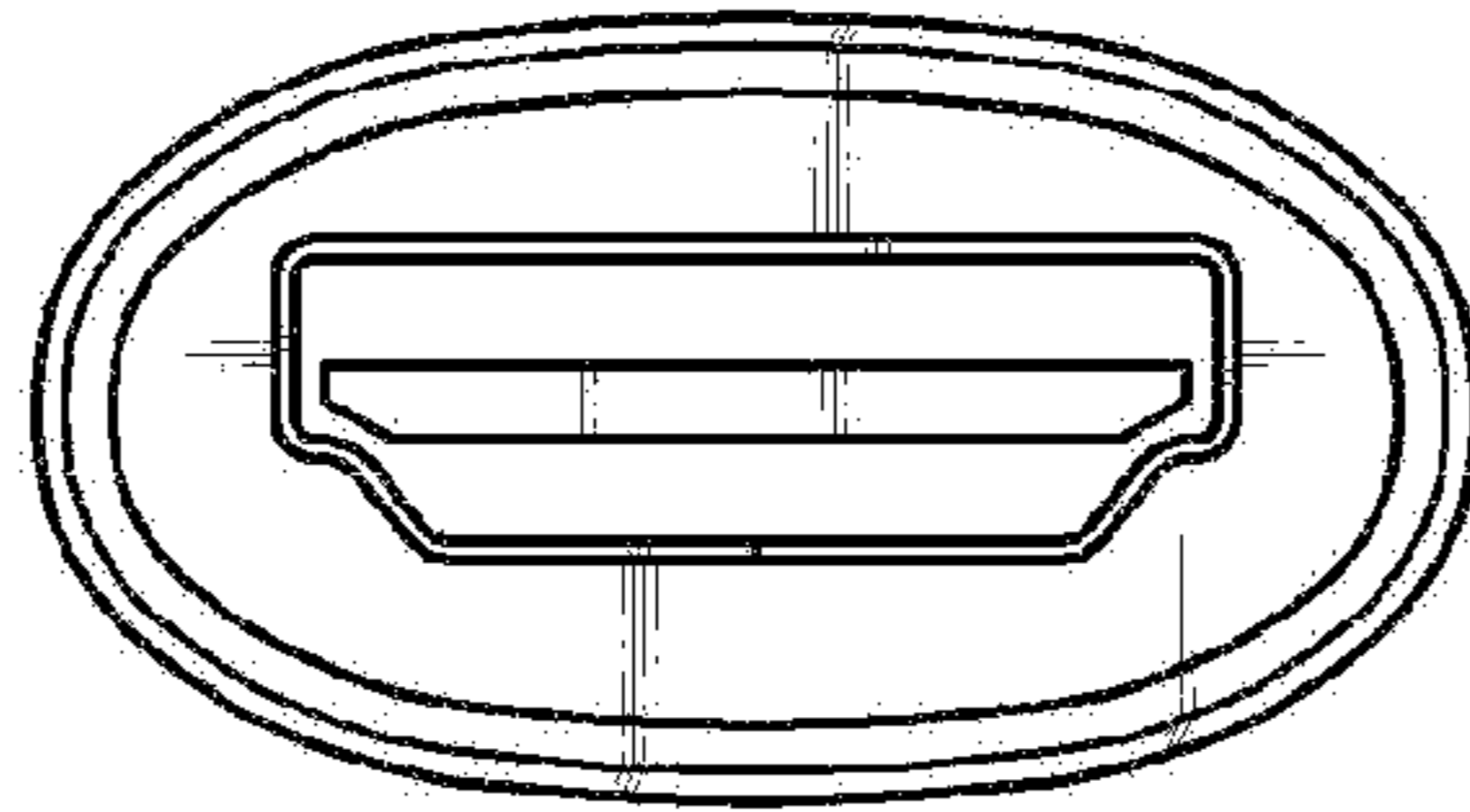


FIG. 7

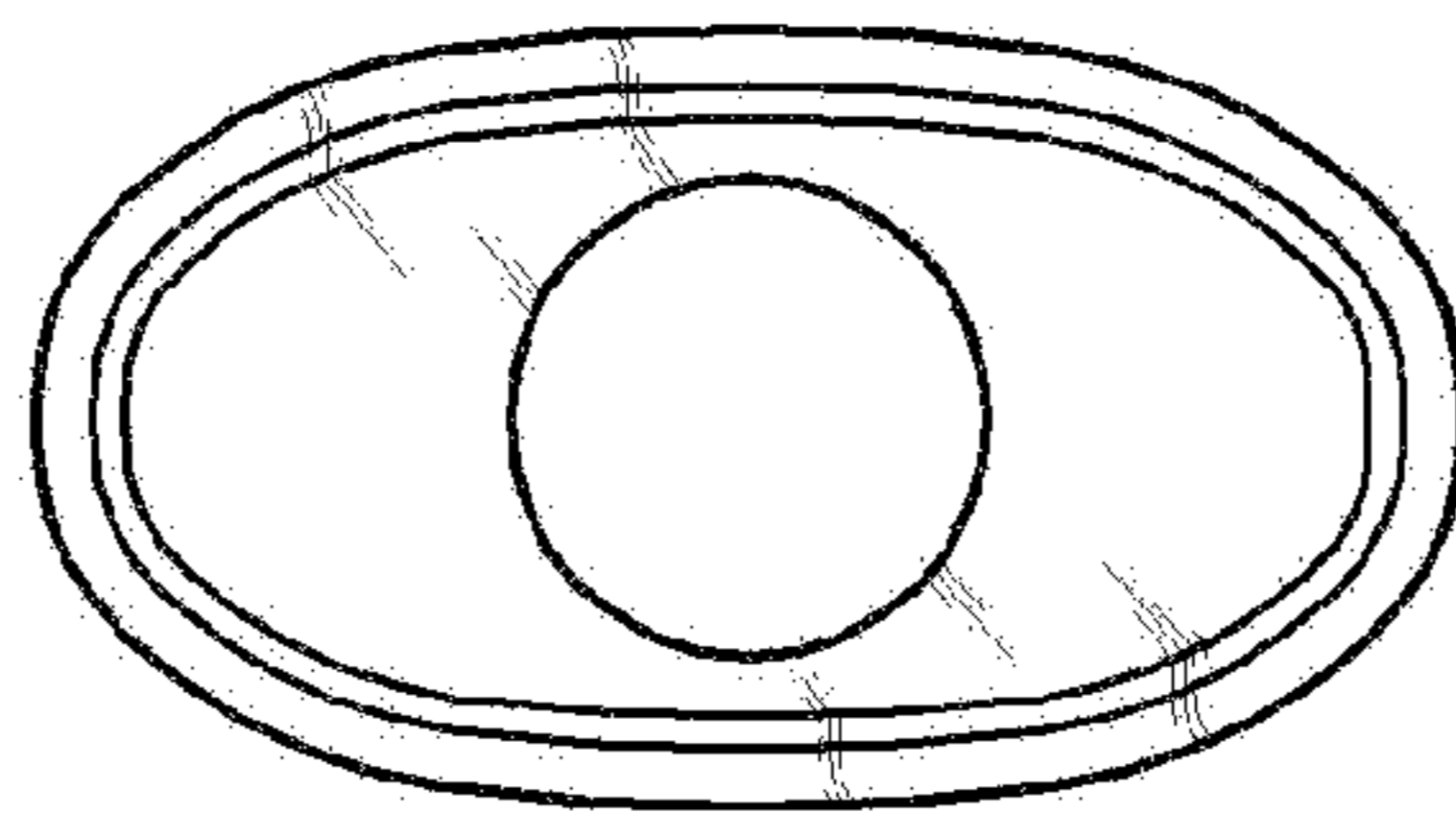


FIG. 8

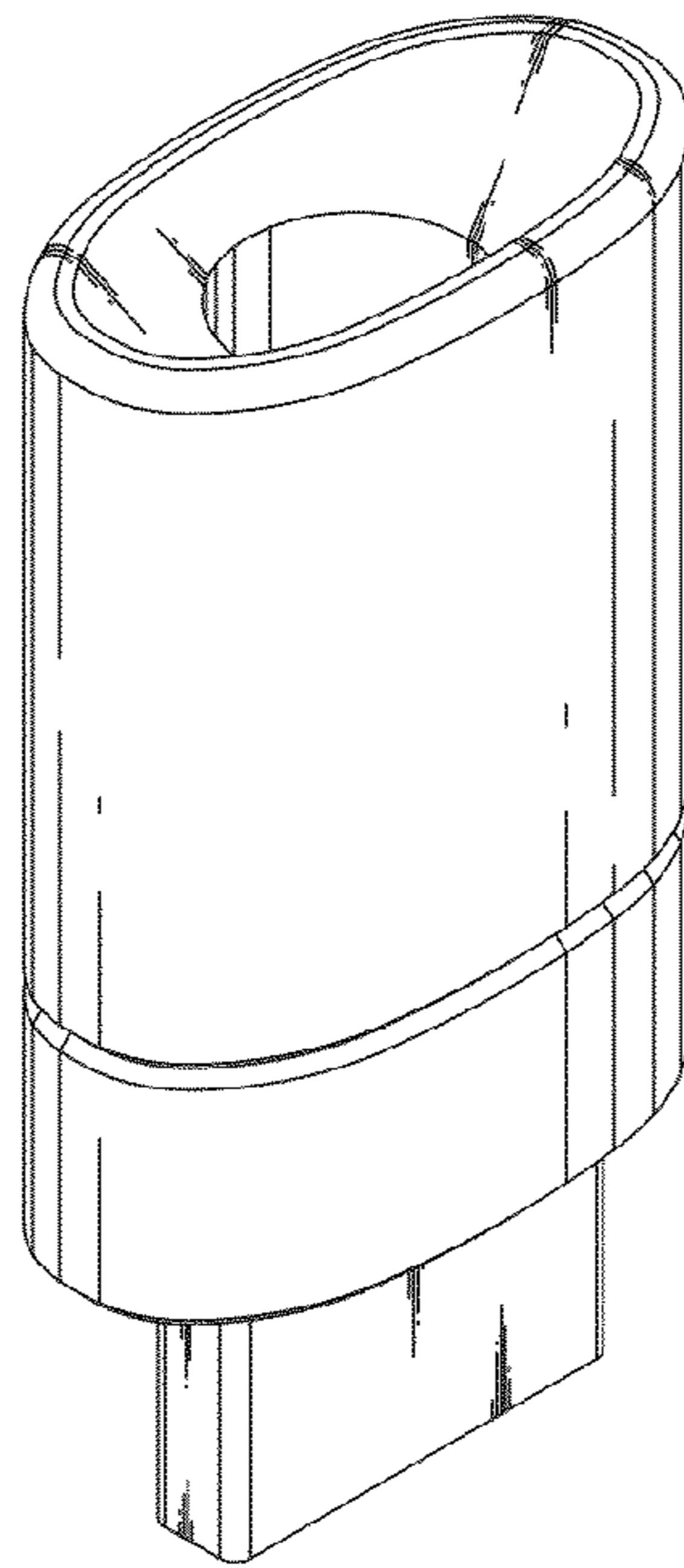


FIG. 9

