



US00D679246S

(12) **United States Design Patent**  
**Wesby et al.**

(10) **Patent No.:** **US D679,246 S**

(45) **Date of Patent:** **\*\* Apr. 2, 2013**

(54) **VERTICAL AXIS WIND TURBINE**

D602,861 S \* 10/2009 Talab ..... D13/115  
D617,731 S \* 6/2010 Starck ..... D13/115  
D641,699 S \* 7/2011 Sayama et al. .... D13/115

(75) Inventors: **Philip Bernard Wesby**,  
Stratford-Upon-Avon (GB); **Christopher**  
**Turner**, Hampshire (GB)

\* cited by examiner

(73) Assignee: **Ventulus Ltd.**, Coventry, Warwickshire  
(GB)

*Primary Examiner* — Derrick Holland

(74) *Attorney, Agent, or Firm* — Sunstein Kann Murphy &  
Timbers LLP

(\*\*) Term: **14 Years**

(57) **CLAIM**

The ornamental design for a vertical axis wind turbine, as  
shown and described.

(21) Appl. No.: **29/390,723**

**DESCRIPTION**

(22) Filed: **Apr. 28, 2011**

(51) **LOC (9) Cl.** ..... **13-01**

(52) **U.S. Cl.** ..... **D13/115**

(58) **Field of Classification Search** ..... D13/115,  
D13/101, 199; D15/1, 199; 290/43, 44,  
290/54, 55; 415/4.1, 4.3, 4.5, 56.3, 122.1;  
416/9, 12, 23, 24, 32, 37, 38, 44, 115, 117,  
416/132 B, 132 R, 142, 169, 196 A, 197 A

See application file for complete search history.

FIG. 1 shows a perspective view of a vertical axis wind  
turbine according to the present invention.

FIG. 2 shows a front view of a vertical axis wind turbine  
according to FIG. 1.

FIG. 3 shows a back view of a vertical axis wind turbine  
according to FIG. 1.

FIG. 4 shows a left side view of a vertical axis wind turbine  
according to FIG. 1.

FIG. 5 shows a right side view of a vertical axis wind turbine  
according to FIG. 1.

FIG. 6 shows a top view of a vertical axis wind turbine  
according to FIG. 1; and,

FIG. 7 shows a bottom view of a vertical axis wind turbine  
according to FIG. 1.

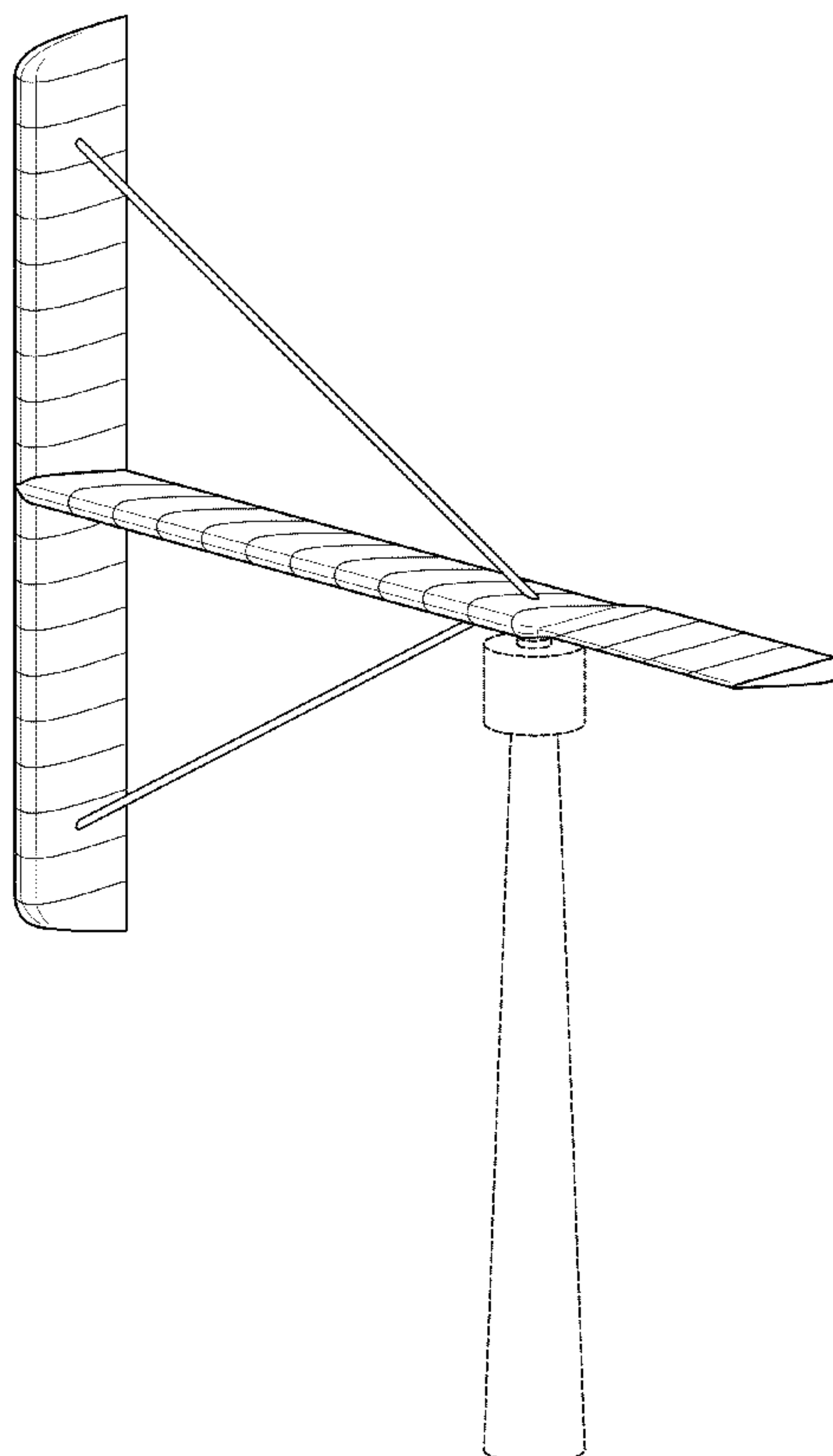
The broken lines shown represent unclaimed subject matter  
and form no part of the claimed design.

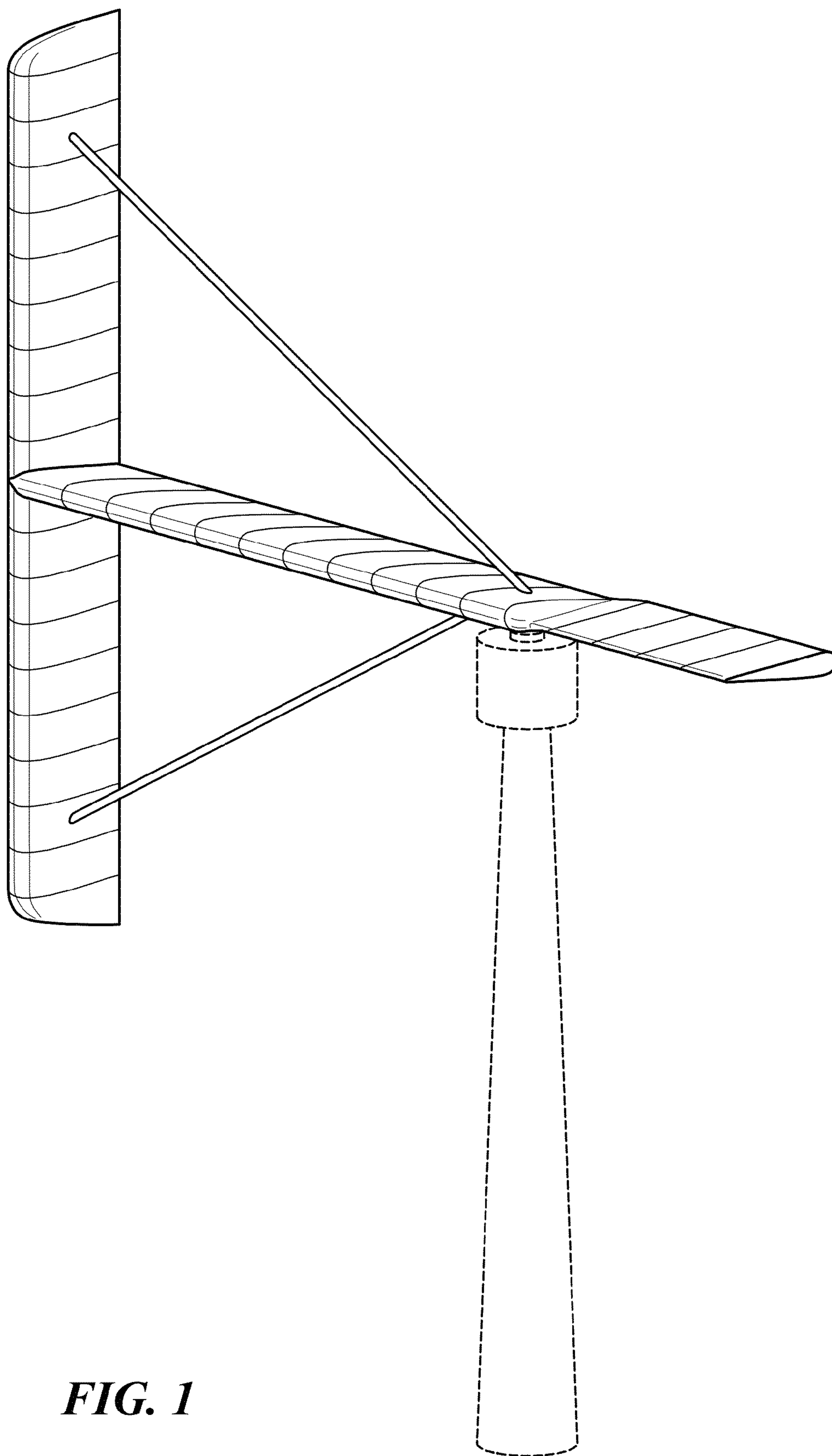
(56) **References Cited**

U.S. PATENT DOCUMENTS

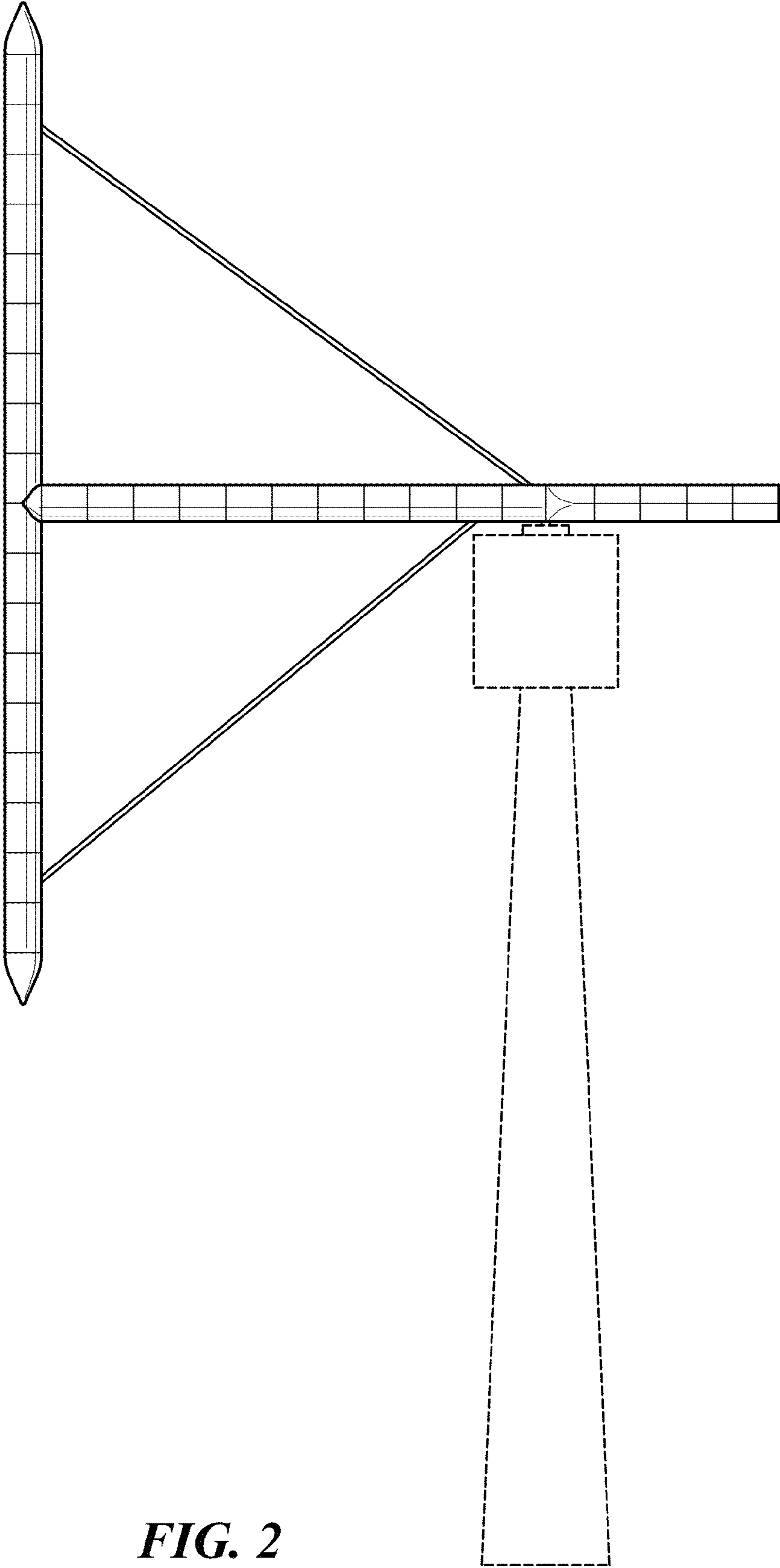
3,952,723 A \* 4/1976 Browning ..... 126/247  
D271,303 S \* 11/1983 Ovelmen ..... D15/1  
4,498,017 A \* 2/1985 Parkins ..... 290/44  
5,354,175 A \* 10/1994 Coleman et al. .... 416/9  
D508,893 S \* 8/2005 Kato et al. .... D13/115  
D567,176 S \* 4/2008 Borgen ..... D13/115

**1 Claim, 5 Drawing Sheets**

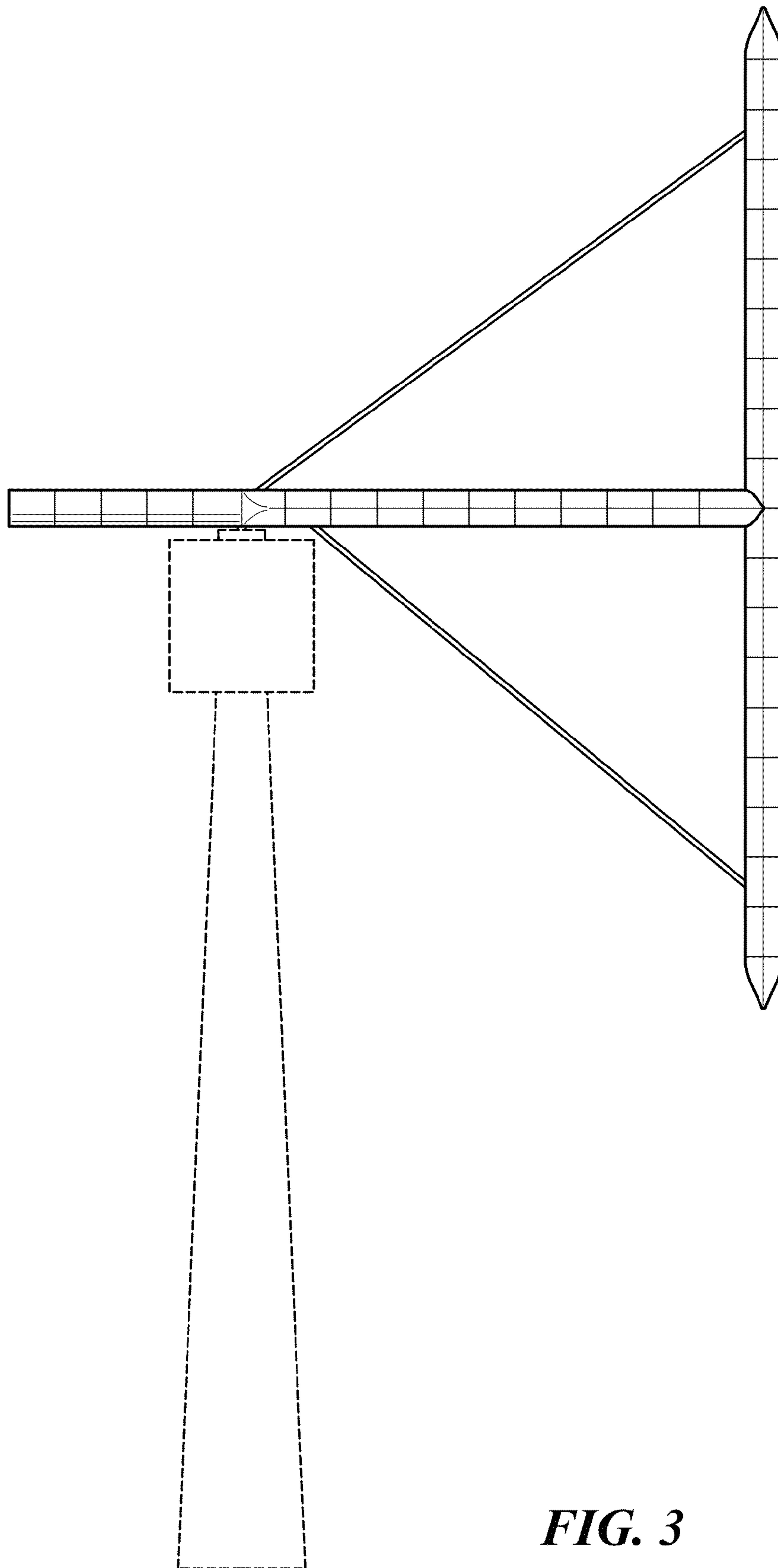




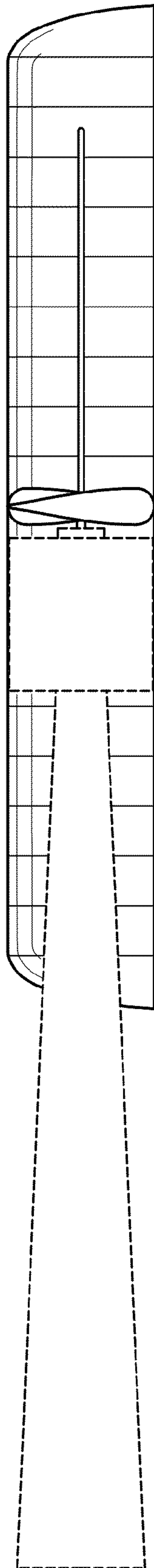
**FIG. 1**



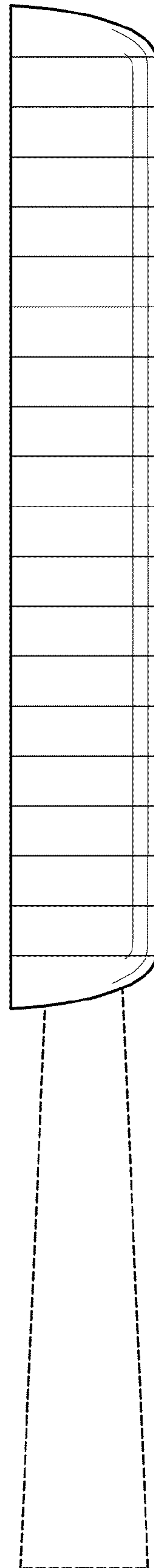
**FIG. 2**



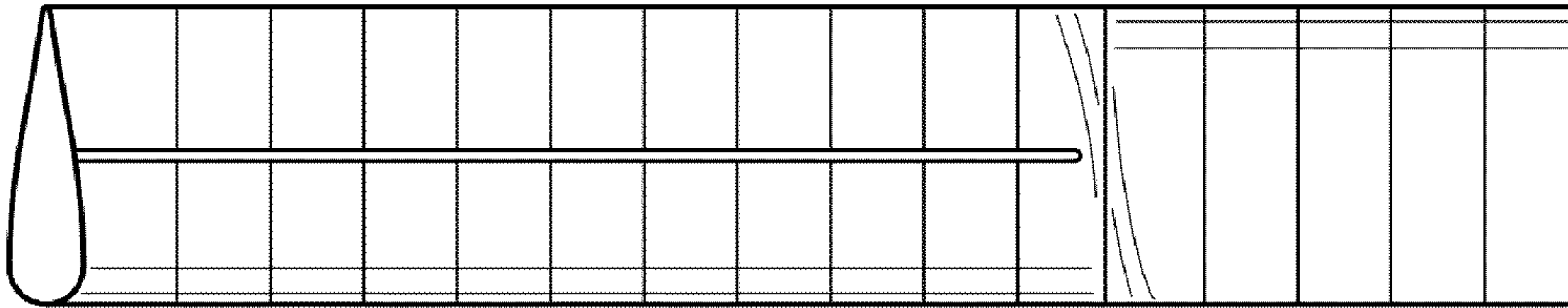
**FIG. 3**



**FIG. 4**



**FIG. 5**



***FIG. 6***



***FIG. 7***