



US00D679245S

(12) **United States Design Patent**  
**Efthimiady et al.**

(10) **Patent No.:** **US D679,245 S**

(45) **Date of Patent:** **\*\* Apr. 2, 2013**

(54) **FIXTURE FOR ASSEMBLING A SOLAR  
MODULE ASSEMBLY**

(75) Inventors: **Tim Efthimiady**, Brussels (BE); **Kevin Houle**, Livermore, CA (US); **Elizabeth Knazs**, Livermore, CA (US); **David McDougall**, Vancouver, WA (US); **Nicholas Singh**, Modesto, CA (US); **Heather Singler**, Freeland, MI (US)

(73) Assignee: **Dow Corning Corporation**, Midland, MI (US)

(\*\*) Term: **14 Years**

(21) Appl. No.: **29/426,787**

(22) Filed: **Jul. 10, 2012**

(51) **LOC (9) Cl.** ..... **13-02**

(52) **U.S. Cl.** ..... **D13/102**

(58) **Field of Classification Search** ..... D13/102,  
D13/101, 107, 184, 199; D12/406, 408;  
D14/230, 239, 451, 452; 52/173.3; 126/573,  
126/580, 606; 136/206, 230, 244-251, 256,  
136/291, 292; 343/792.5, 813, 878, 879;  
439/562, 567, 573

See application file for complete search history.

(56) **References Cited**

U.S. PATENT DOCUMENTS

4,245,895	A *	1/1981	Wildenrotter	.....	359/848
5,180,442	A *	1/1993	Elias	.....	136/251
5,228,924	A *	7/1993	Barker et al.	.....	136/246
5,505,788	A *	4/1996	Dinwoodie	.....	136/246
6,563,040	B2 *	5/2003	Hayden et al.	.....	136/244
6,672,018	B2 *	1/2004	Shingleton	.....	52/173.3
D565,505	S *	4/2008	Shugar et al.	.....	D13/102
D586,737	S *	2/2009	Shugar et al.	.....	D13/102
7,574,842	B2 *	8/2009	Russell	.....	52/768
2005/0284467	A1 *	12/2005	Patterson	.....	126/580

\* cited by examiner

*Primary Examiner* — Derrick Holland

(74) *Attorney, Agent, or Firm* — Howard & Howard Attorneys PLLC

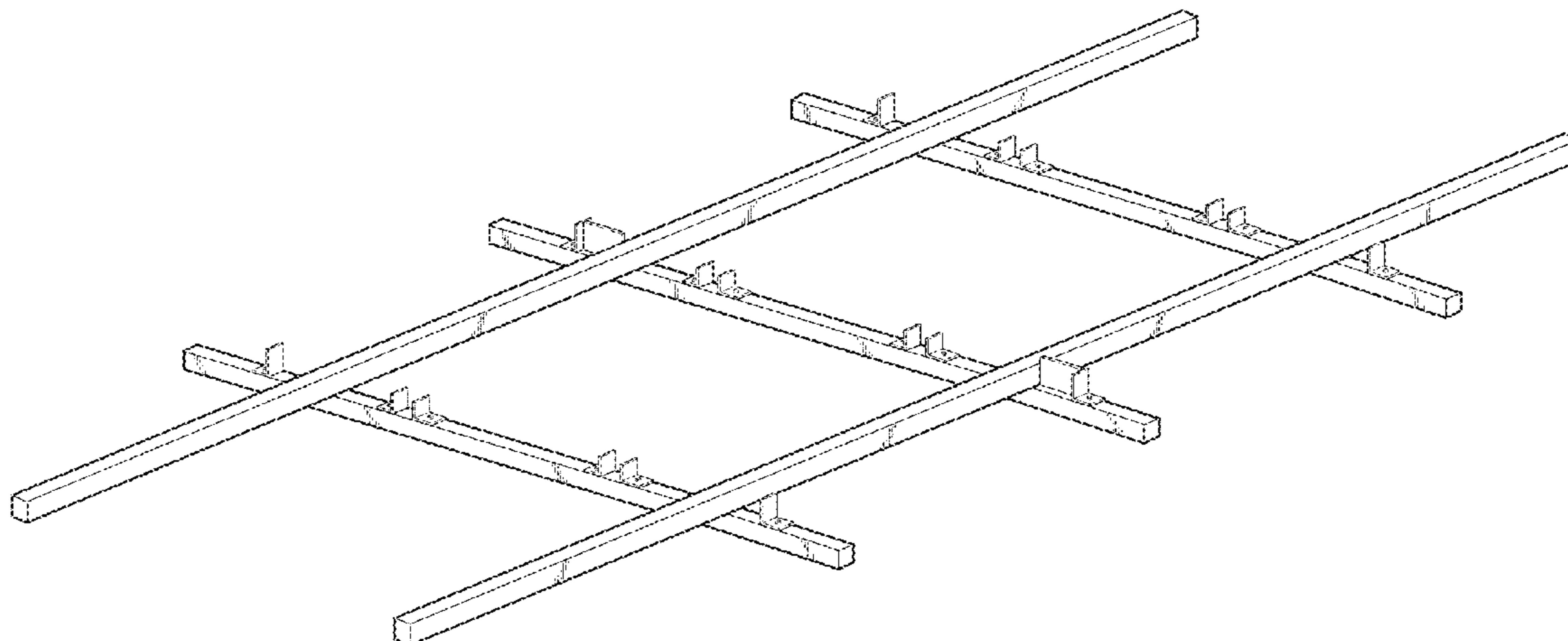
(57) **CLAIM**

The ornamental design for a fixture for assembling a solar module assembly, as shown and described.

**DESCRIPTION**

FIG. 1 is a perspective view of a fixture for assembling a solar module assembly showing our new design; FIG. 2 is a top plan view thereof; FIG. 3 is a front view thereof; FIG. 4 is a side view thereof; and, FIG. 5 is a bottom plan view thereof.

**1 Claim, 4 Drawing Sheets**



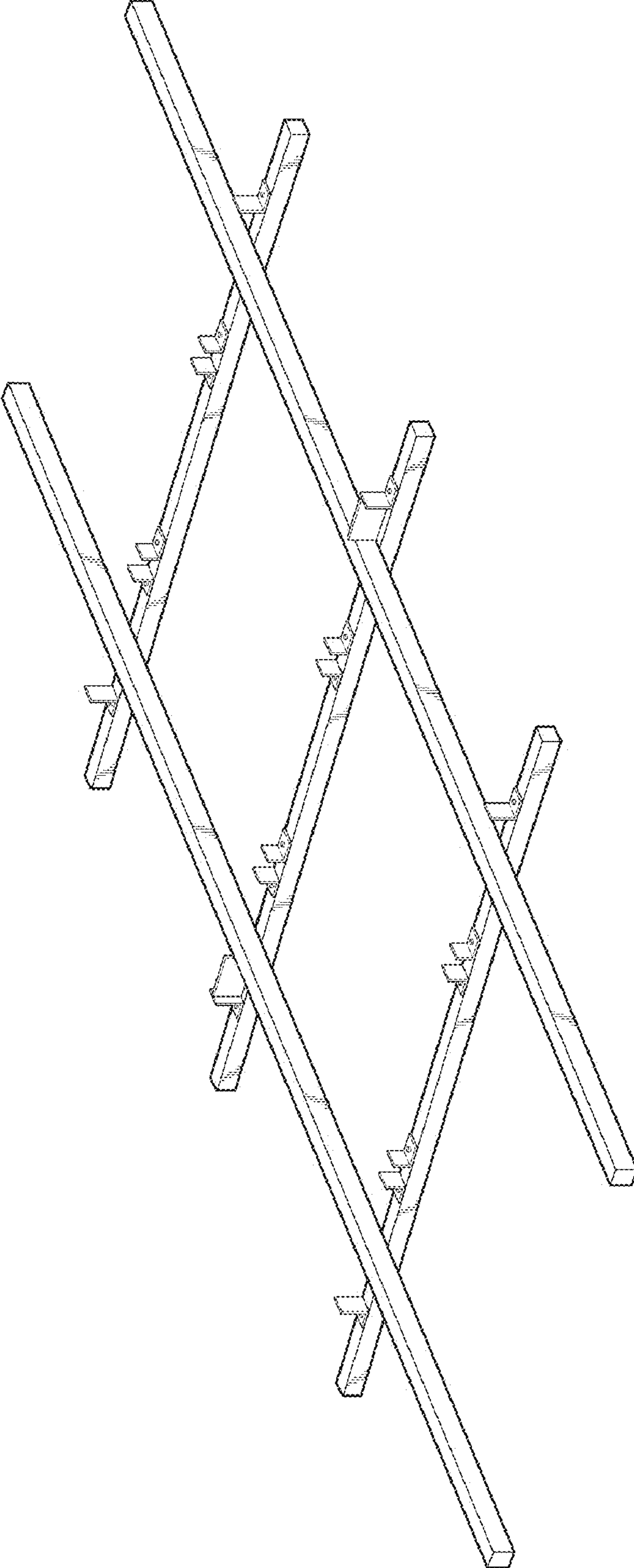


FIG. 1

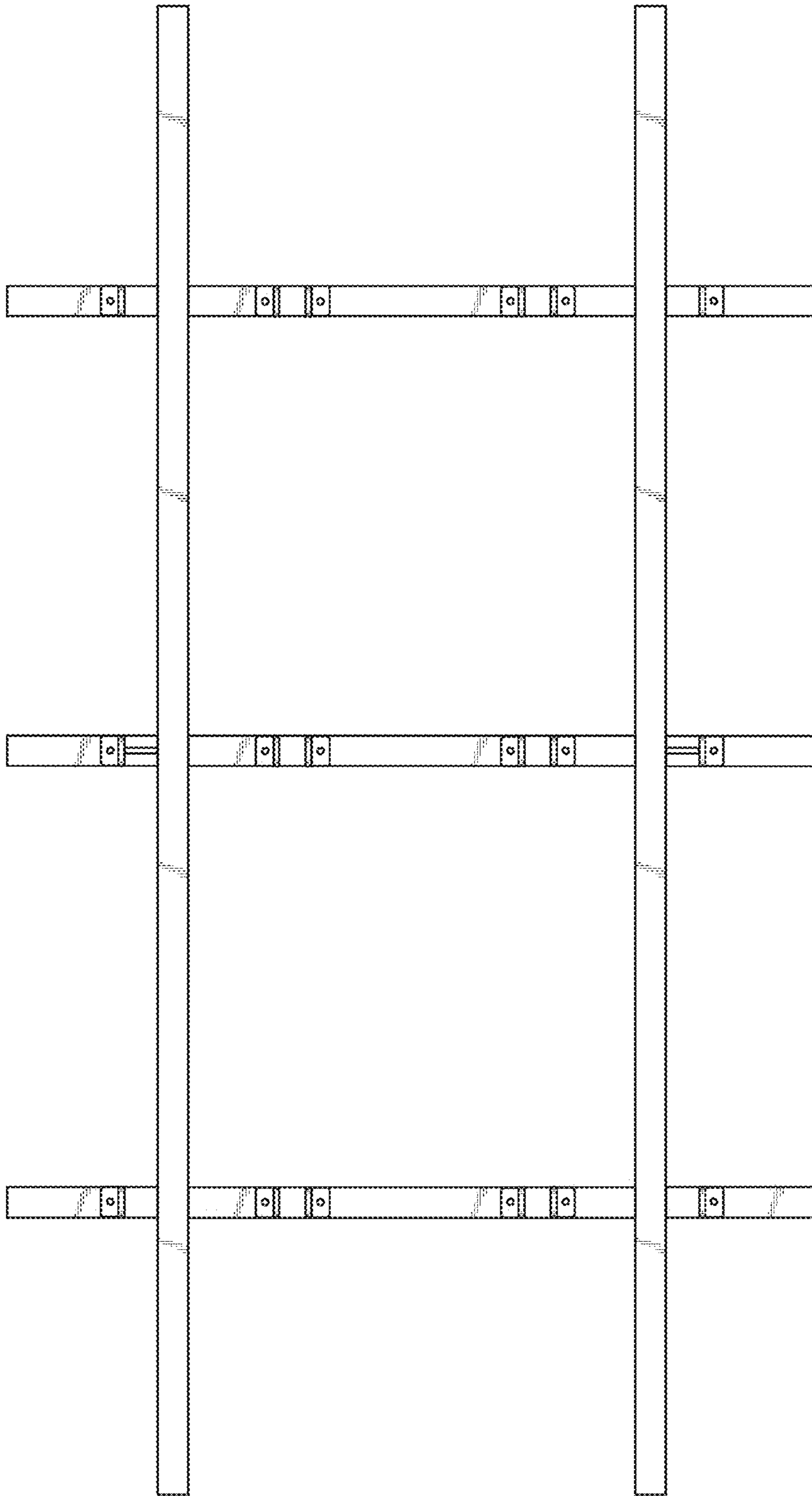


FIG. 2

FIG. 3

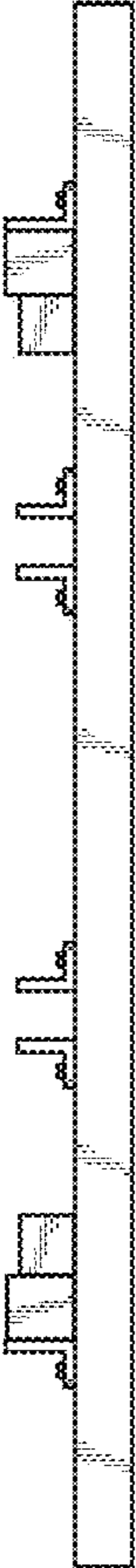


FIG. 4



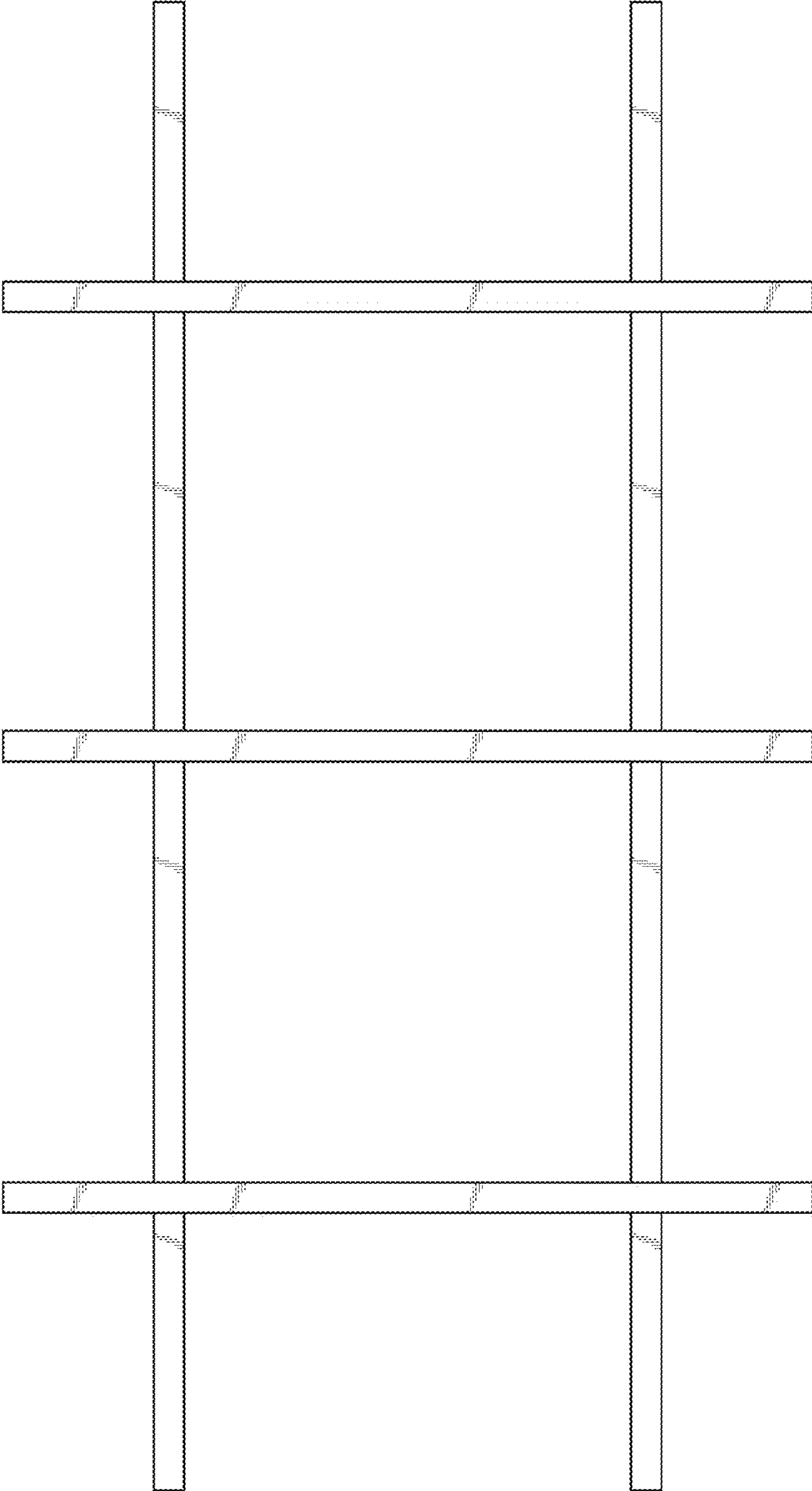


FIG. 5