



US00D679239S

(12) **United States Design Patent**  
**McMurtrie**

(10) **Patent No.:** **US D679,239 S**

(45) **Date of Patent:** **\*\* Apr. 2, 2013**

(54) **ROOF RACK**

(76) Inventor: **Robert McMurtrie**, Phoenixville, PA  
(US)

(\*\*) Term: **14 Years**

(21) Appl. No.: **29/426,096**

(22) Filed: **Jun. 29, 2012**

(51) **LOC (9) Cl.** ..... **12-16**

(52) **U.S. Cl.** ..... **D12/412**

(58) **Field of Classification Search** ..... D12/412,  
D12/406, 414, 414.1; 293/37.1, 3, 100;  
224/309-310, 315-316, 323-329, 400; D6/552;  
D3/304-306; 280/760-762, 848, 727, 769  
See application file for complete search history.

(56) **References Cited**

**U.S. PATENT DOCUMENTS**

3,719,297	A *	3/1973	Nowicki	.....	414/462
4,438,878	A *	3/1984	Heslop	.....	224/319
4,827,742	A *	5/1989	McDonald	.....	70/19
5,000,067	A *	3/1991	Kolbusz et al.	.....	81/436
5,119,980	A *	6/1992	Grim et al.	.....	224/315
D348,034	S *	6/1994	Mann	.....	D12/412
5,456,397	A *	10/1995	Pedrini	.....	224/324

5,832,755	A *	11/1998	Crilly	.....	70/58
D665,726	S *	8/2012	Eriksson	.....	D12/412
D667,564	S *	9/2012	Evans	.....	70/258

\* cited by examiner

*Primary Examiner* — Katrina A Betton

(74) *Attorney, Agent, or Firm* — James M Smedley LLC;  
James M. Smedley, Esq.

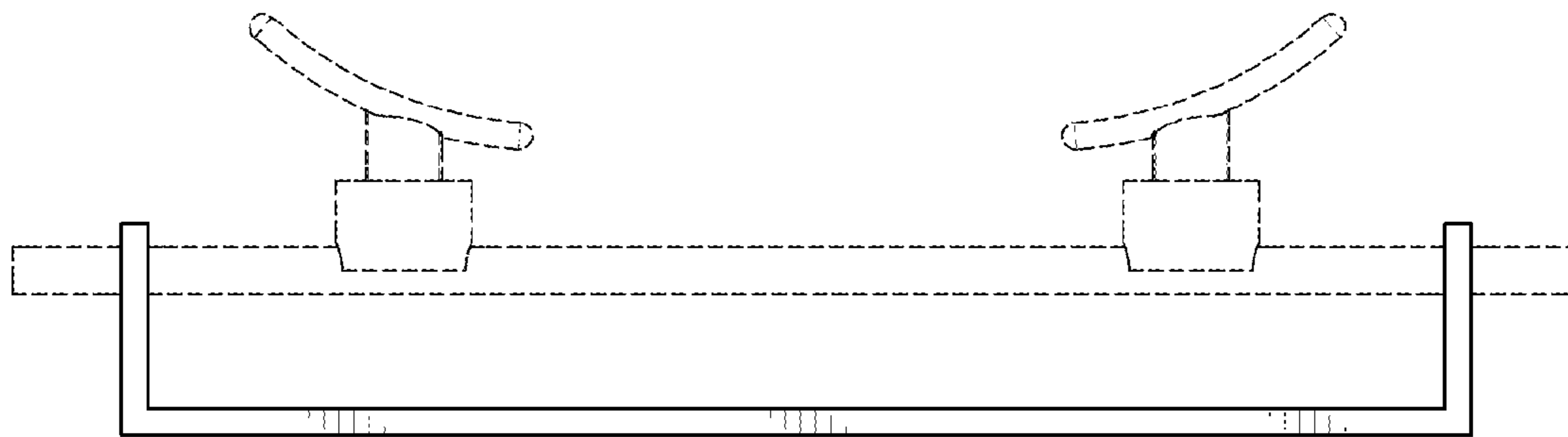
(57) **CLAIM**

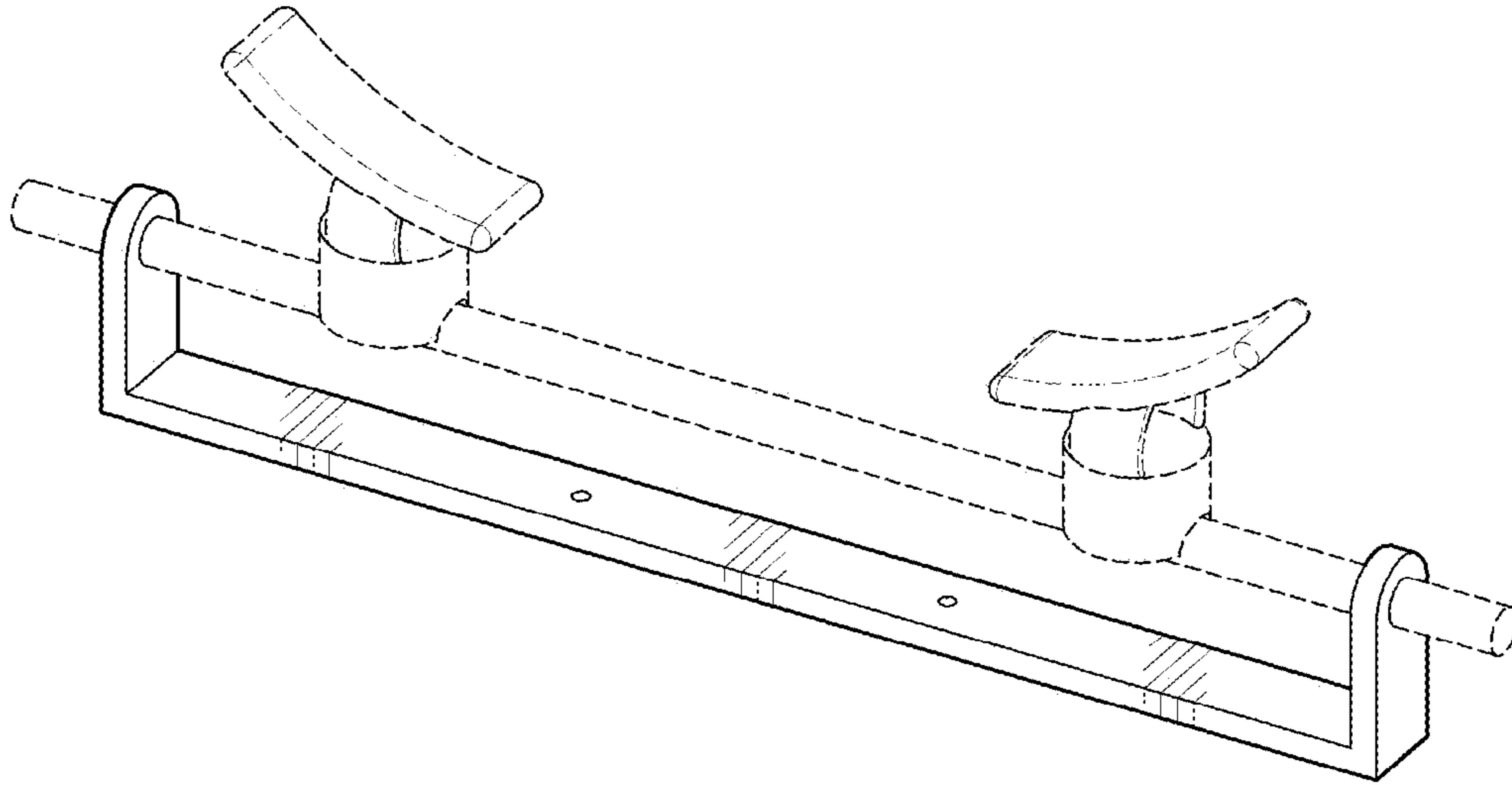
I claim the ornamental design for a roof rack, as shown and described.

**DESCRIPTION**

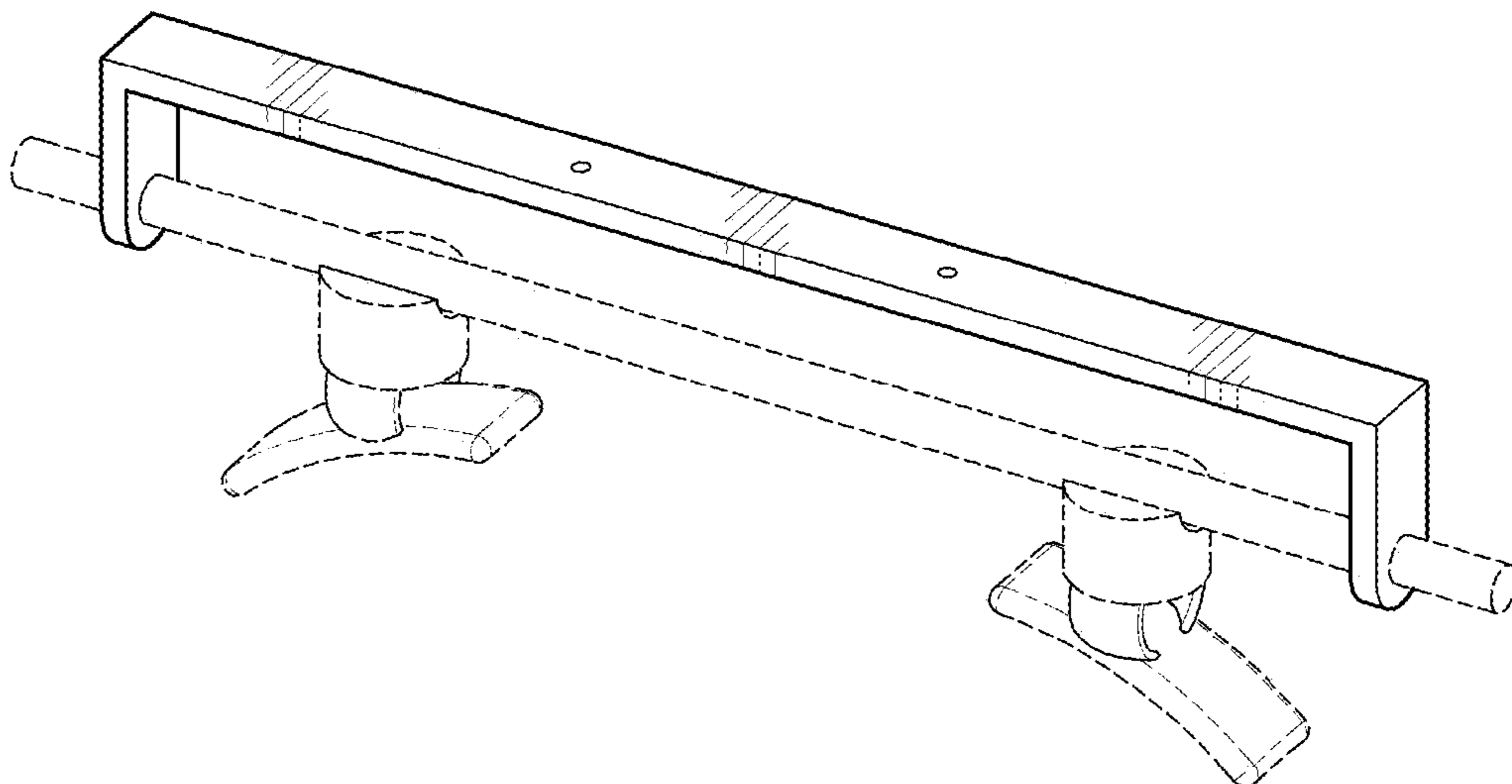
FIG. 1 is a perspective view showing the new design.  
FIG. 2 is an opposite side perspective view showing the new design.  
FIG. 3 is a front view showing the new design.  
FIG. 4 is a top view showing the new design.  
FIG. 5 is a bottom view showing the new design; and,  
FIG. 6 is a side view showing the new design.  
The shading lines shown in the drawings represent the approximate three-dimensional contour of the design, and are not intended to indicate surface decoration.  
The broken line(s) shown in the drawings are for illustrative purposes only and form no part of the claimed design.

**1 Claim, 2 Drawing Sheets**

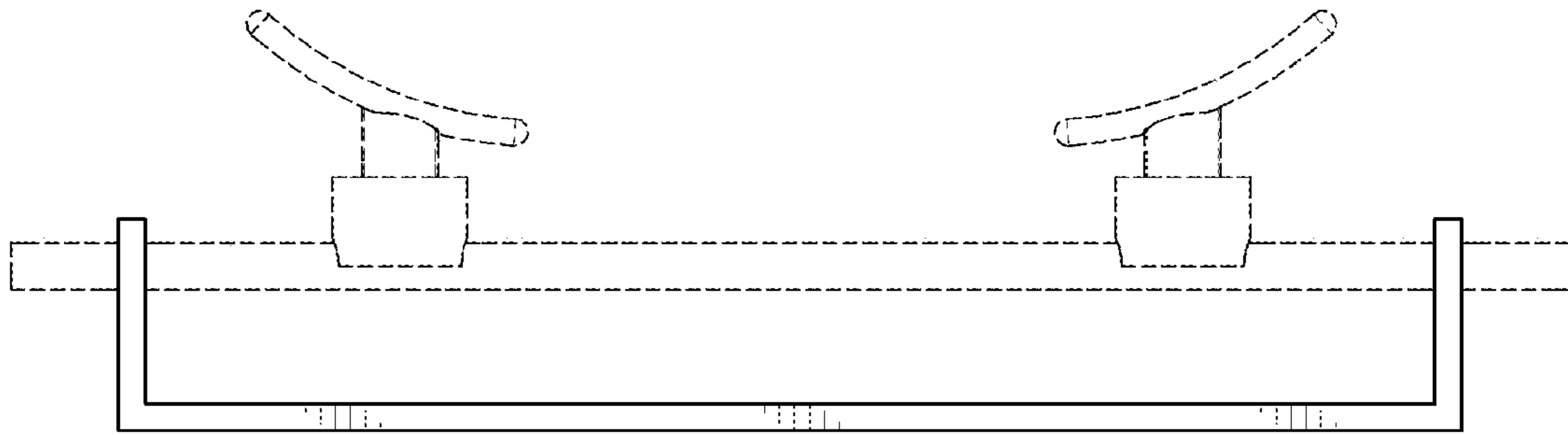




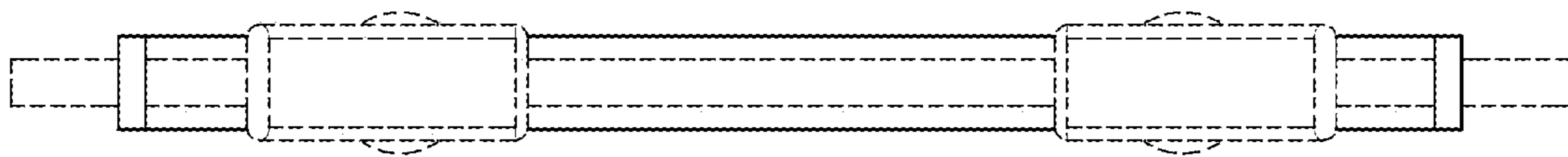
**FIG. 1**



**FIG. 2**



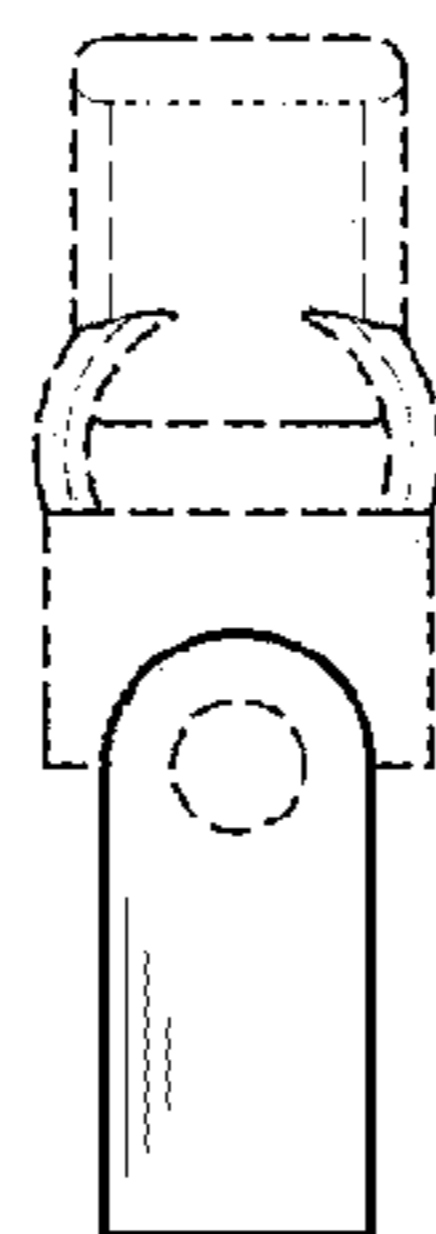
**FIG. 3**



**FIG. 4**



**FIG. 5**



**FIG. 6**