



US00D679237S

(12) **United States Design Patent**  
**Austro**

(10) **Patent No.:** **US D679,237 S**

(45) **Date of Patent:** **\*\* Apr. 2, 2013**

(54) **SAFETY RAIL**

(75) **Inventor:** **James Bryan Austro**, Wharton, NJ (US)

(73) **Assignee:** **Skyline Steel, LLC**, Parsippany, NJ (US)

(\*\*) **Term:** **14 Years**

(21) **Appl. No.:** **29/399,281**

(22) **Filed:** **Aug. 11, 2011**

(51) **LOC (9) Cl.** ..... **12-06**

(52) **U.S. Cl.** ..... **D12/317; D25/119**

(58) **Field of Classification Search** ..... **D12/316,**  
**D12/317, 400, 508; 182/113, 2.1; 114/39.16;**  
**52/837; D25/119, 38.1, 41.1**

See application file for complete search history.

(56) **References Cited**

**U.S. PATENT DOCUMENTS**

5,787,837 A \* 8/1998 Vavolotis ..... 114/363  
6,722,470 B2 \* 4/2004 Carson ..... 182/113

D553,261 S \* 10/2007 Antonic ..... D25/119  
D597,922 S \* 8/2009 Davis ..... D12/317  
2008/0041662 A1 \* 2/2008 Despres ..... 182/113

\* cited by examiner

*Primary Examiner* — Doris Clark

(74) *Attorney, Agent, or Firm* — Hoffmann & Baron, LLP

(57) **CLAIM**

The ornamental design for a safety rail, as shown and described.

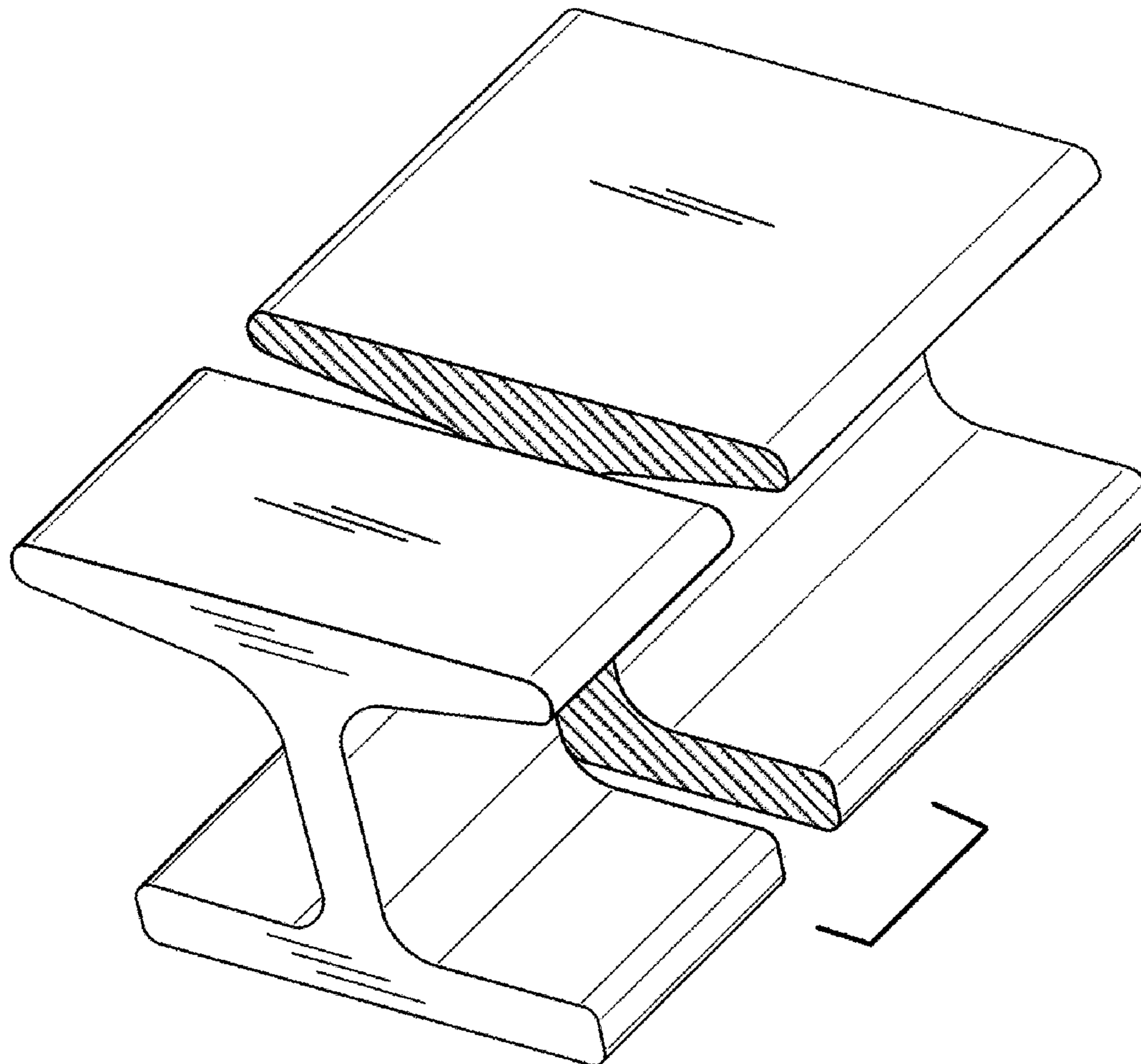
**DESCRIPTION**

FIG. 1 is an end view of the safety rail.

FIG. 2 is a side view of the first side of the safety rail. The separation of the two sections of the connector indicates indeterminate length; and,

FIG. 3 is a perspective view of the safety rail. The separation of the two sections of the connector indicates indeterminate length.

**1 Claim, 1 Drawing Sheet**



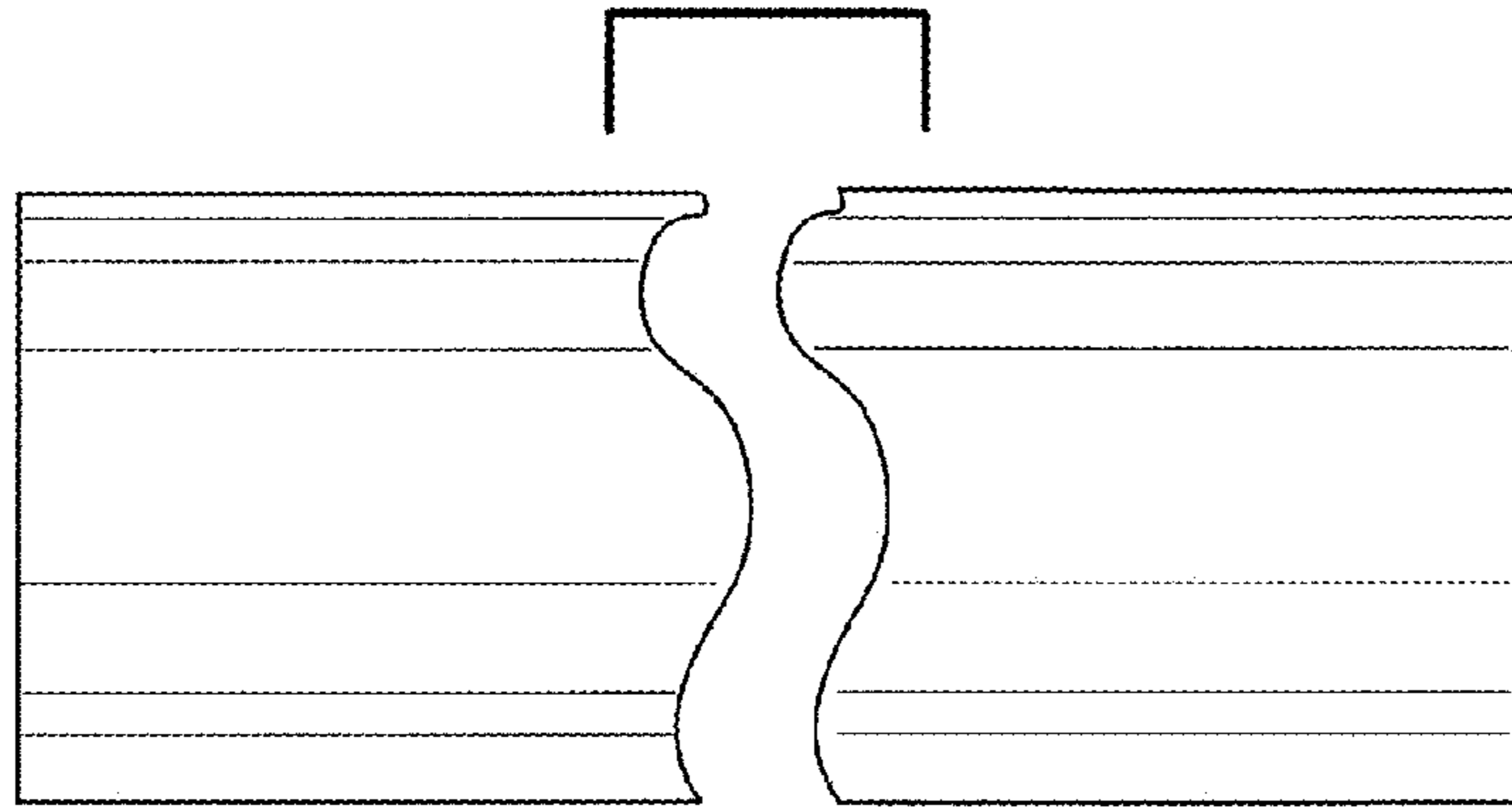


FIG. 2

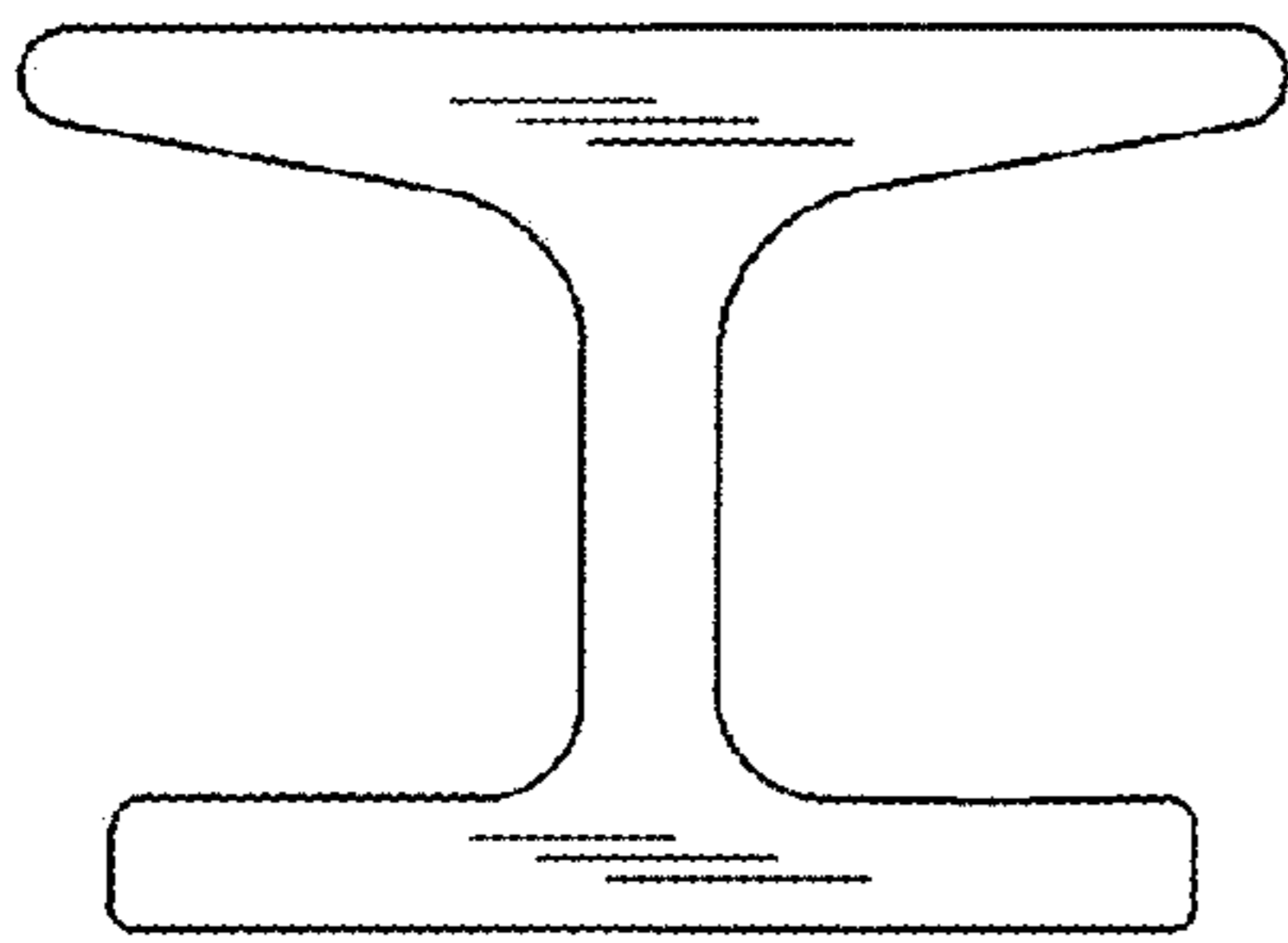


FIG. 1

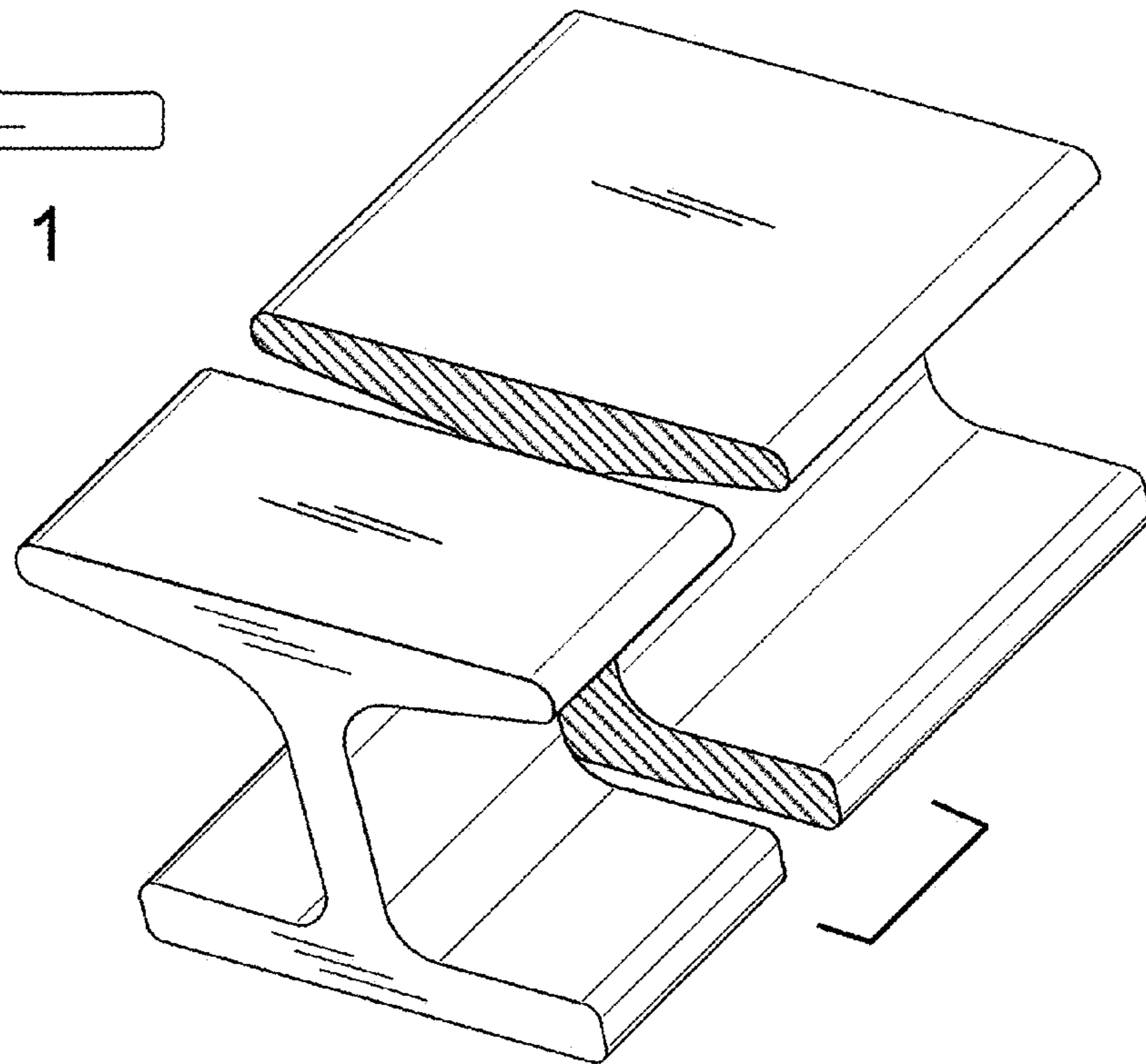


FIG. 3