



US00D679233S

(12) **United States Design Patent**  
**Balicki et al.**

(10) **Patent No.:** **US D679,233 S**  
(45) **Date of Patent:** **\*\* Apr. 2, 2013**

(54) **SUN VISOR FOR A TRUCK CAB**  
(75) Inventors: **Brian D. Balicki**, Kernersville, NC  
(US); **Mandy L. Luthman**, Greensboro,  
NC (US); **David L. Parsons**,  
Greensboro, NC (US); **Ian Anderson**,  
Greensboro, NC (US)

(73) Assignee: **Volvo Group North America, LLC**,  
Greensboro, NC (US)

(\*\*) Term: **14 Years**

(21) Appl. No.: **29/393,394**

(22) Filed: **Jun. 3, 2011**

(51) **LOC (9) Cl.** ..... **12-16**

(52) **U.S. Cl.** ..... **D12/191**

(58) **Field of Classification Search** ..... D12/191,  
D12/181, 184-185, 106, 417, 311-312;  
296/97.1-97.8, 180.1; 160/370.21-370.23

See application file for complete search history.

(56) **References Cited**

U.S. PATENT DOCUMENTS

D403,999 S *	1/1999	Lund	.....	D12/191
D404,698 S *	1/1999	Schenk et al.	.....	D12/183
D409,541 S *	5/1999	Sproull et al.	.....	D12/191
D413,846 S *	9/1999	Lund	.....	D12/191
D478,303 S *	8/2003	Iverson et al.	.....	D12/191

D525,574 S *	7/2006	Conway et al.	.....	D12/191
D528,054 S *	9/2006	Beigel et al.	.....	D12/191
D544,821 S *	6/2007	Elwell	.....	D12/191
D554,571 S *	11/2007	Elwell et al.	.....	D12/191
D556,657 S *	12/2007	Elwell et al.	.....	D12/191
D563,854 S *	3/2008	Stuart	.....	D12/191
D638,337 S *	5/2011	Francisco	.....	D12/181

\* cited by examiner

*Primary Examiner* — Katrina A Betton

(74) *Attorney, Agent, or Firm* — Martin Farrell; Michael Pruden

(57) **CLAIM**

The ornamental design of a sun visor for a truck cab, as shown and described herein.

**DESCRIPTION**

FIG. 1 is a perspective view of a sun visor for a truck cab showing our new design;

FIG. 2 is a front view thereof;

FIG. 3 is a rear view thereof;

FIG. 4 is a top view thereof;

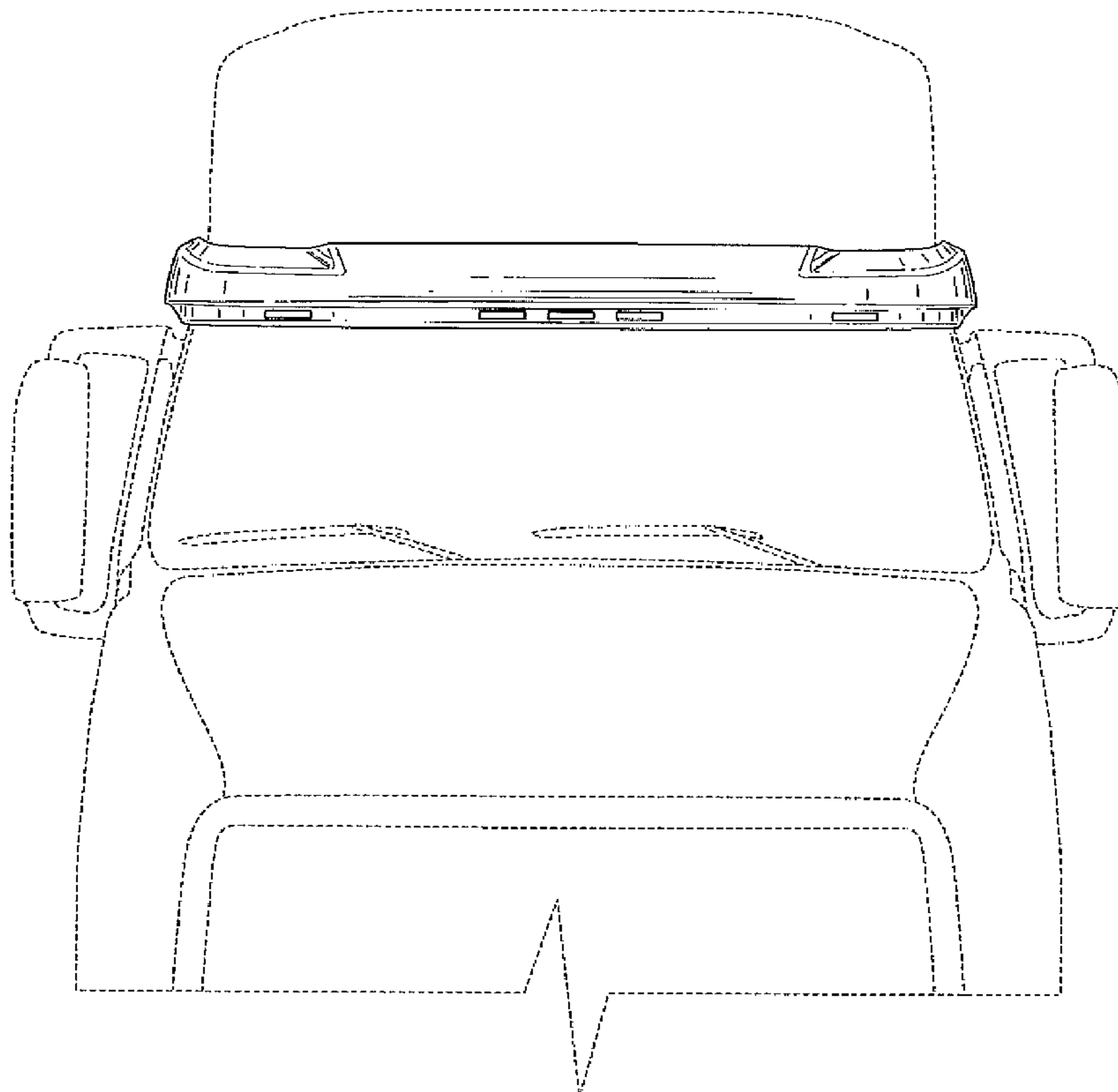
FIG. 5 is a left side view thereof;

FIG. 6 is a right side view thereof; and,

FIG. 7 is a front view showing the sun visor of the invention in its environment attached to a truck cab.

In drawing FIG. 3, the broken lines depict portions of the article that form no part of the claim. The broken lines in FIG. 7 show a truck and form no part of the claimed design.

**1 Claim, 5 Drawing Sheets**



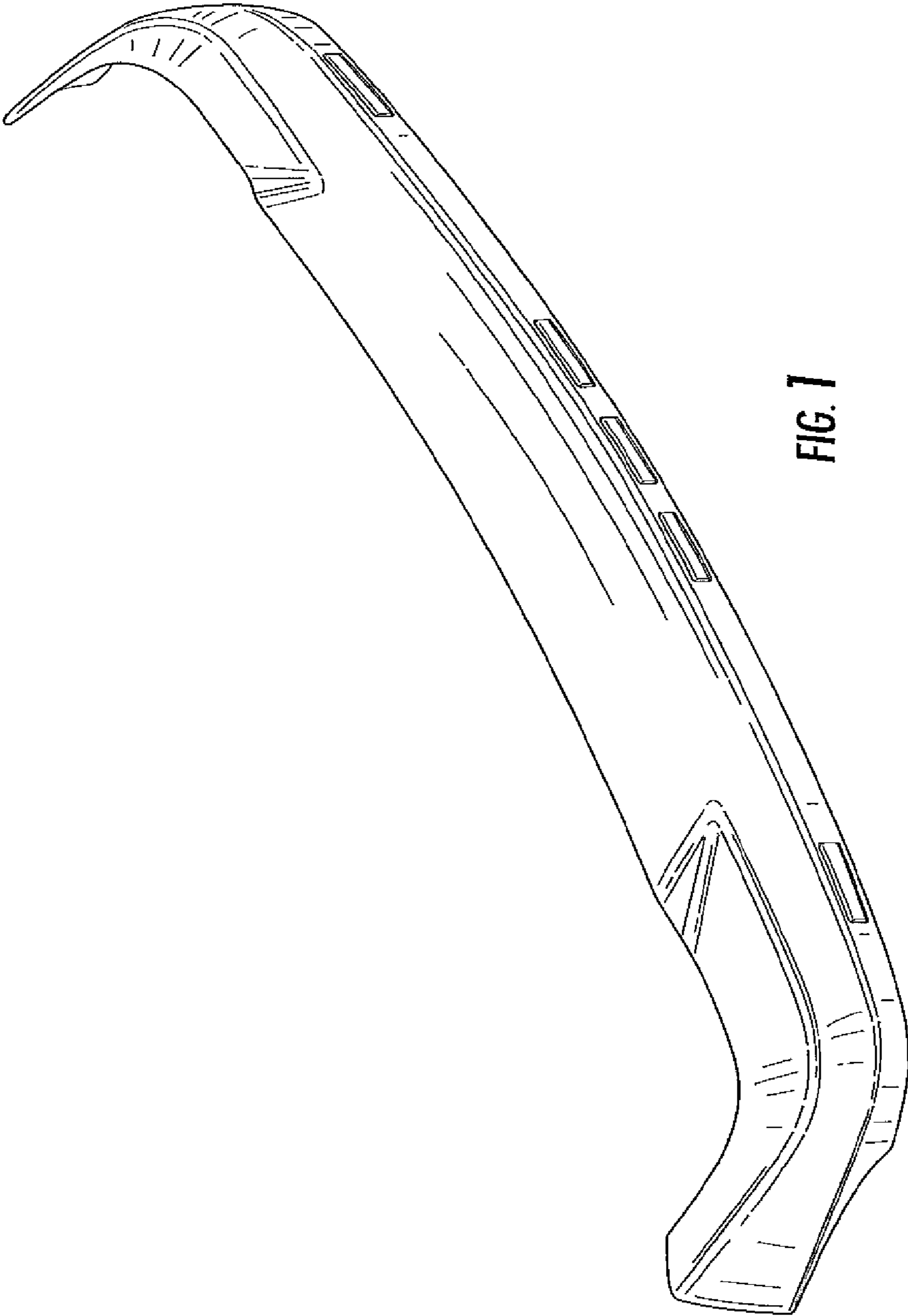


FIG. 1

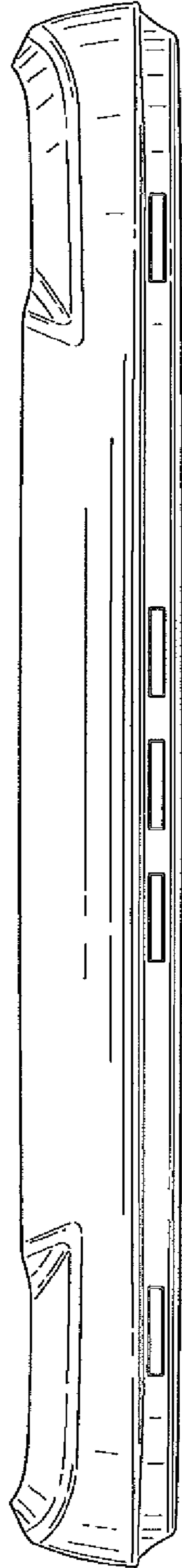


FIG. 2

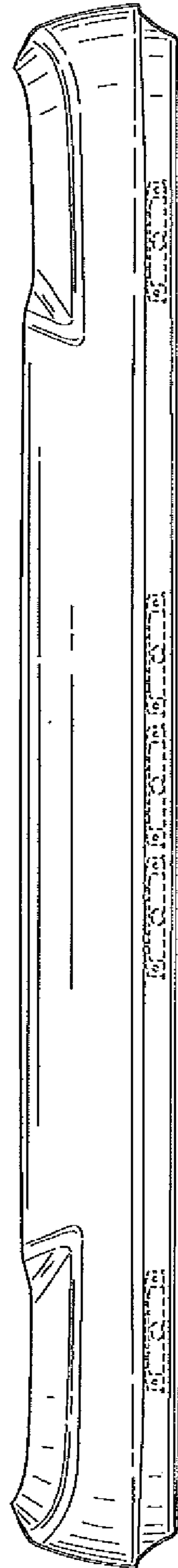


FIG. 3

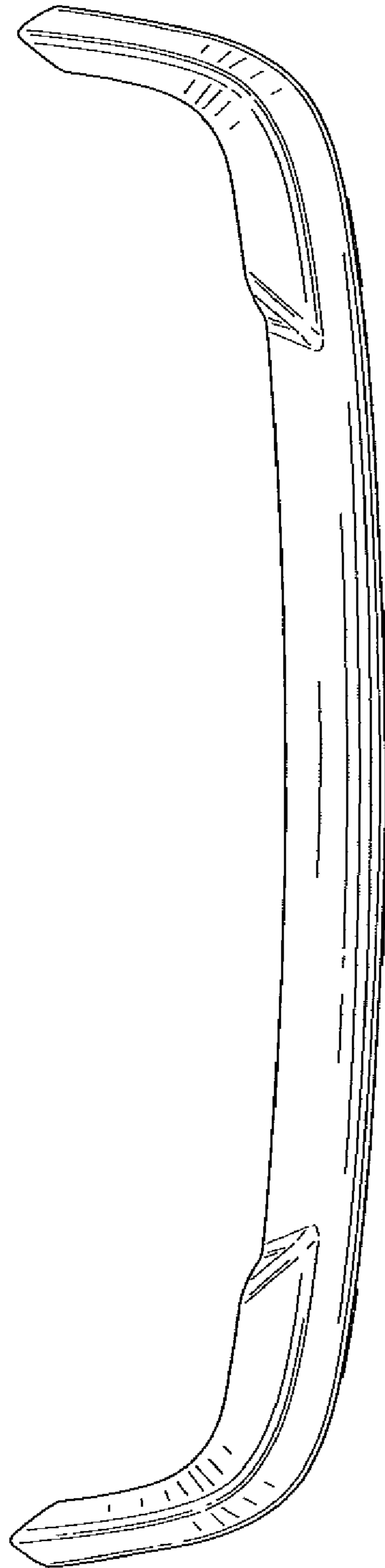


FIG. 4

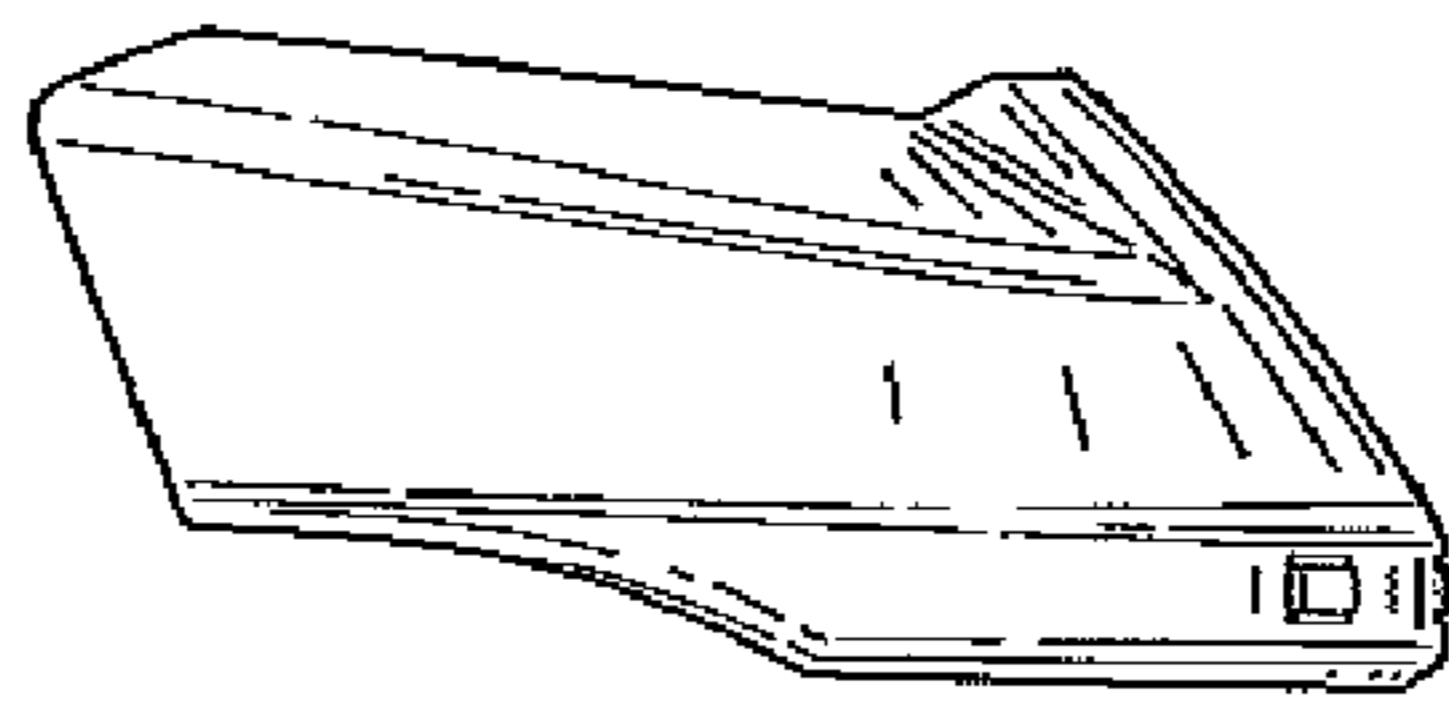


FIG. 5

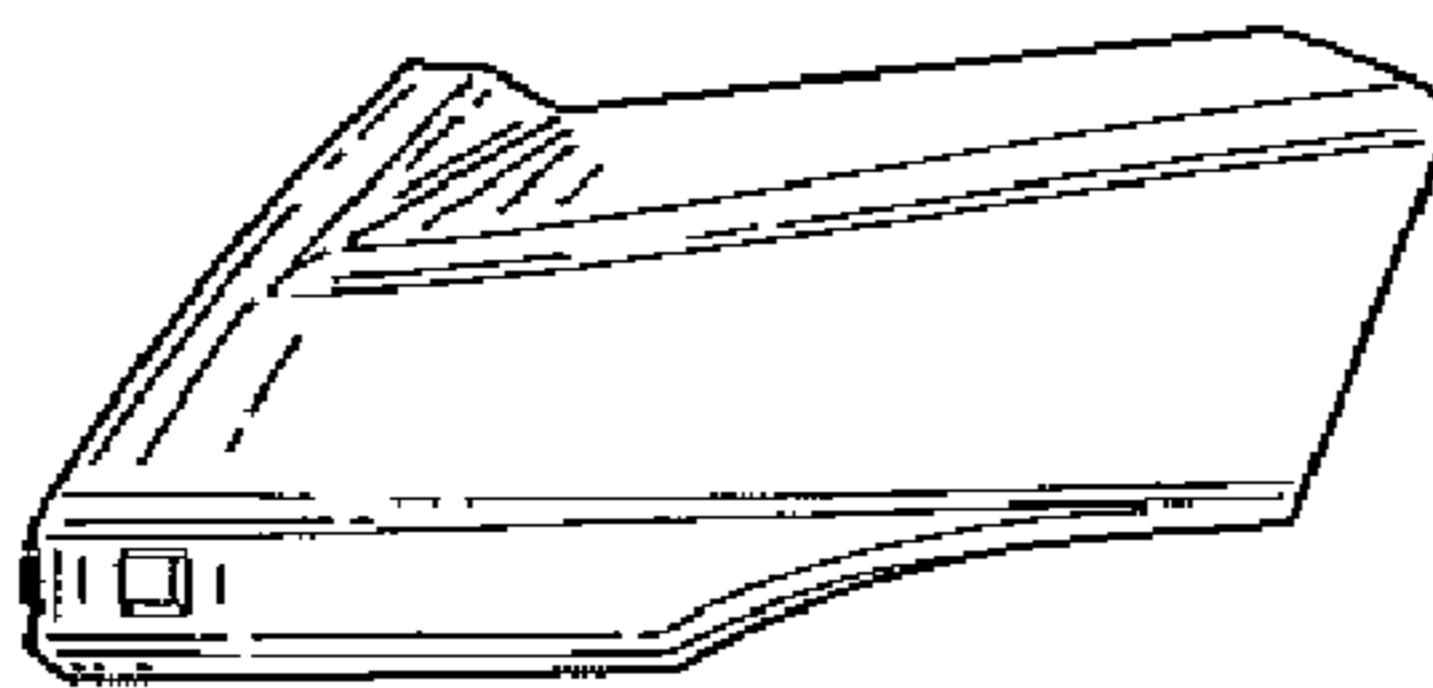


FIG. 6

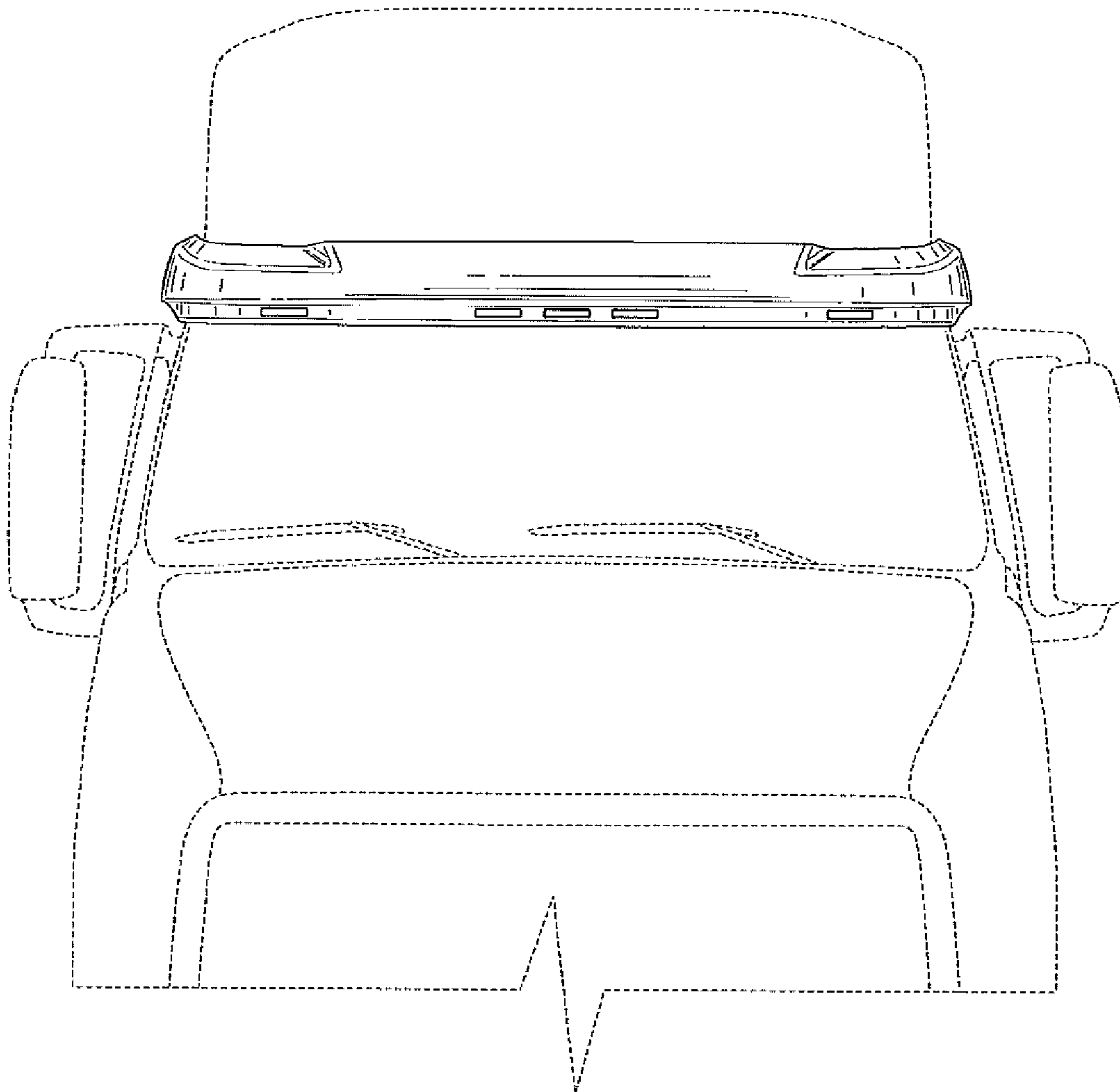


FIG. 7