



US00D679232S

(12) **United States Design Patent**
Thomas

(10) **Patent No.:** **US D679,232 S**
(45) **Date of Patent:** **** Apr. 2, 2013**

(54) **SPLASH GUARD**

(76) Inventor: **David Ian Thomas**, Grange over Sands
(GB)

(**) Term: **14 Years**

(21) Appl. No.: **29/408,187**

(22) Filed: **Dec. 8, 2011**

(30) **Foreign Application Priority Data**

Jun. 13, 2011 (EM) 001877028-0001

(51) **LOC (9) Cl.** **12-16**

(52) **U.S. Cl.** **D12/185; D23/307; D25/112**

(58) **Field of Classification Search** D12/185;
280/847, 849, 851; D23/307, 261; 52/169.12,
52/169.14; D25/112

See application file for complete search history.

(56) **References Cited**

U.S. PATENT DOCUMENTS

D266,131 S * 9/1982 Kelley D6/511
D273,609 S * 4/1984 Huffington, Jr. D23/307
5,358,006 A * 10/1994 Sweers 137/615

D362,226 S * 9/1995 Sacks et al. D12/185
D381,757 S * 7/1997 Azar D25/112
5,749,182 A * 5/1998 Vavrinak 52/169.14
D408,900 S * 4/1999 Moore D23/307
D415,086 S * 10/1999 Larkin et al. D12/185
6,035,587 A * 3/2000 Dressler 52/97
D513,065 S * 12/2005 Luong D23/307
2005/0146129 A1 * 7/2005 Andrews 280/851

* cited by examiner

Primary Examiner — Doris Clark

(74) *Attorney, Agent, or Firm* — Edwin D. Schindler

(57) **CLAIM**

The ornamental design for a splash guard, as shown and described.

DESCRIPTION

FIG. 1 is a front view of a splash guard showing the present design;

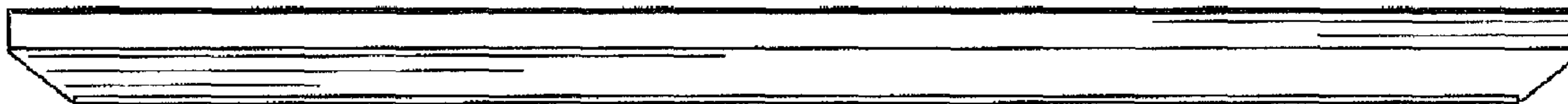
FIG. 2 is a back view of the splash guard of FIG. 1;

FIG. 3 is a top view of the splash guard of FIG. 1;

FIG. 4 is a bottom view of the splash guard of FIG. 1; and,

FIG. 5 is a left-side view of the splash guard of FIG. 1; the right-side view being a mirror image thereof.

1 Claim, 2 Drawing Sheets



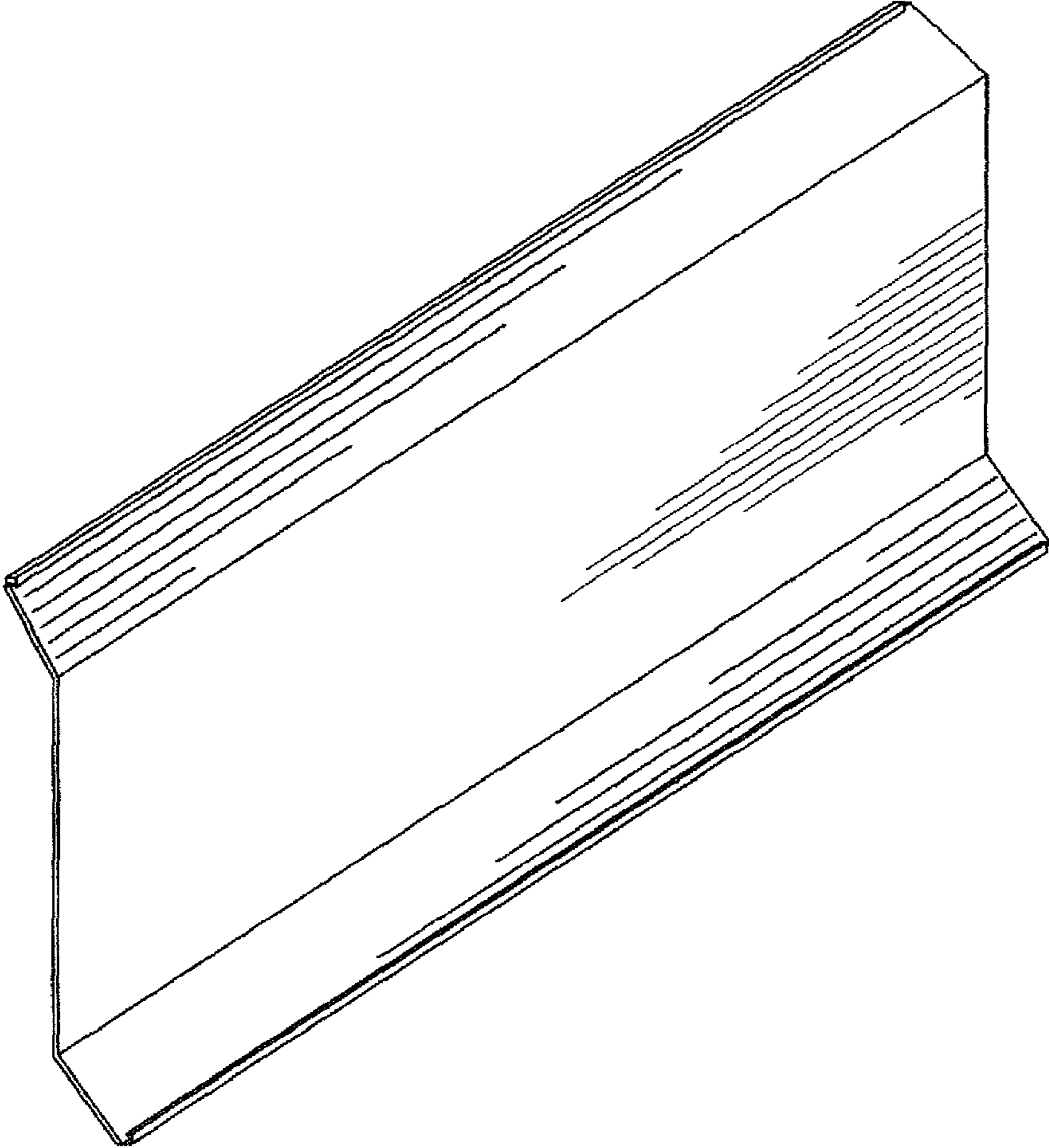


FIG. 1

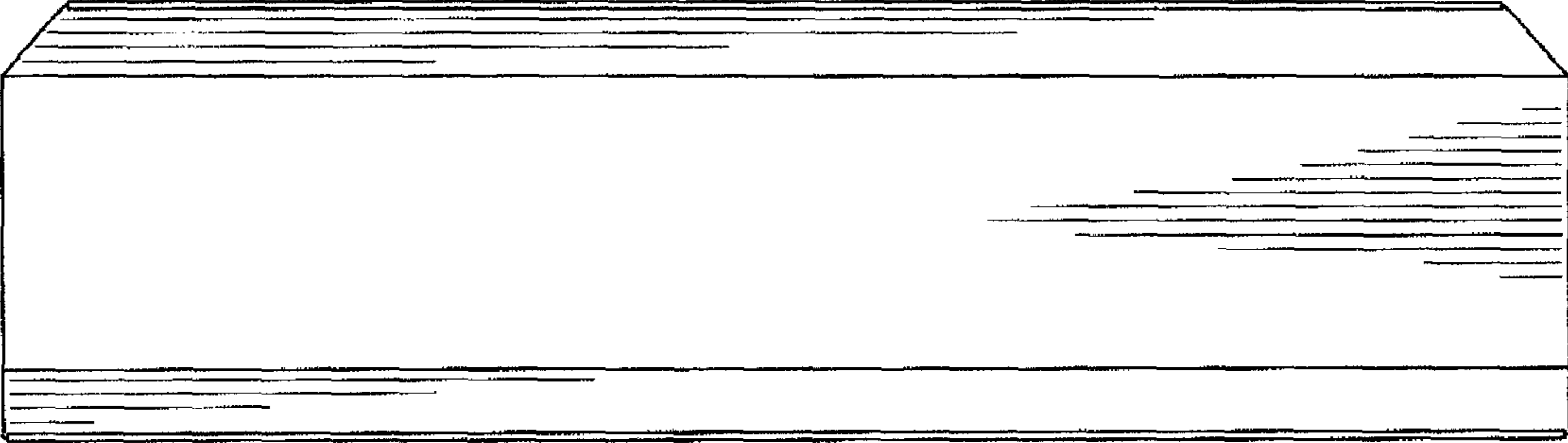


FIG. 2

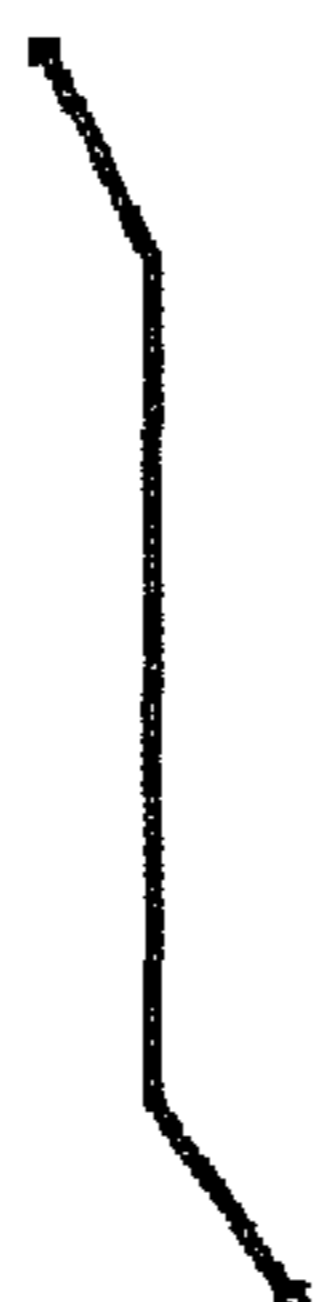


FIG. 3

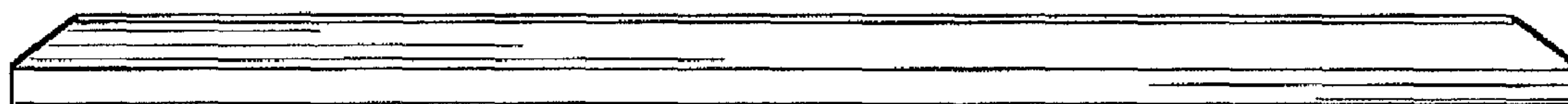


FIG. 4

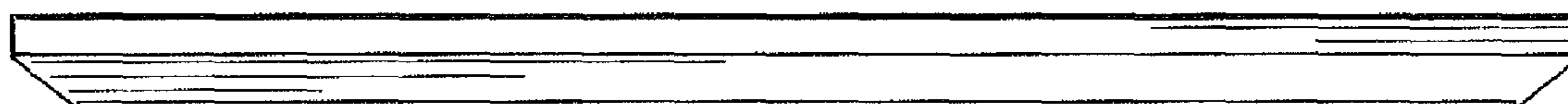


FIG. 5