



US00D679226S

(12) **United States Design Patent**  
**Schmeckpeper**

(10) **Patent No.:** **US D679,226 S**

(45) **Date of Patent:** **\*\* Apr. 2, 2013**

(54) **VEHICLE FRONT BUMPER**

(75) Inventor: **Daniel E Schmeckpeper**, Clarkston, MI  
(US)

(73) Assignee: **GM Global Technology Operations**  
**LLC**, Detroit, MI (US)

(\*\*) Term: **14 Years**

(21) Appl. No.: **29/407,508**

(22) Filed: **Nov. 30, 2011**

(51) **LOC (9) Cl.** ..... **12-16**

(52) **U.S. Cl.** ..... **D12/169**

(58) **Field of Classification Search** ..... D12/163,  
D12/171, 196, 216, 90-92, 86, 164, 169;  
293/102, 103, 105, 112, 113, 115, 117; 296/180.1,  
296/180.2

See application file for complete search history.

(56) **References Cited**

U.S. PATENT DOCUMENTS

D583,727 S *	12/2008	Sonoda et al.	.....	D12/169
D647,437 S *	10/2011	Varga	.....	D12/169
D659,607 S *	5/2012	Robinson	.....	D12/169
D659,611 S *	5/2012	Kobayashi et al.	.....	D12/169
D668,190 S *	10/2012	Koman et al.	.....	D12/169

\* cited by examiner

*Primary Examiner* — Melody N Brown

(74) *Attorney, Agent, or Firm* — Parks IP Law LLC; Mickki D. Murray

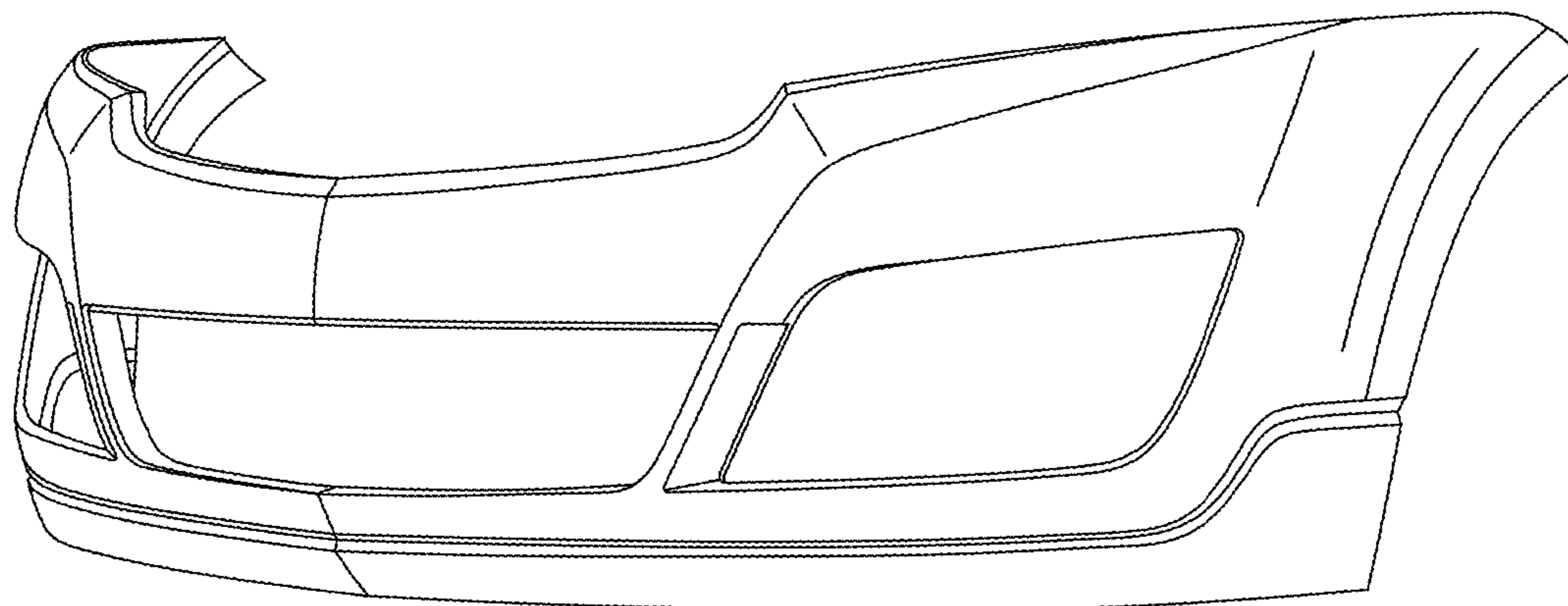
(57) **CLAIM**

The ornamental design for a vehicle front bumper, as shown and described.

**DESCRIPTION**

FIG. 1 is perspective view of a vehicle front bumper showing the new design;  
FIG. 2 is a front view, thereof;  
FIG. 3 is a side view, thereof; and,  
FIG. 4 is a top plan view, thereof.

**1 Claim, 1 Drawing Sheet**



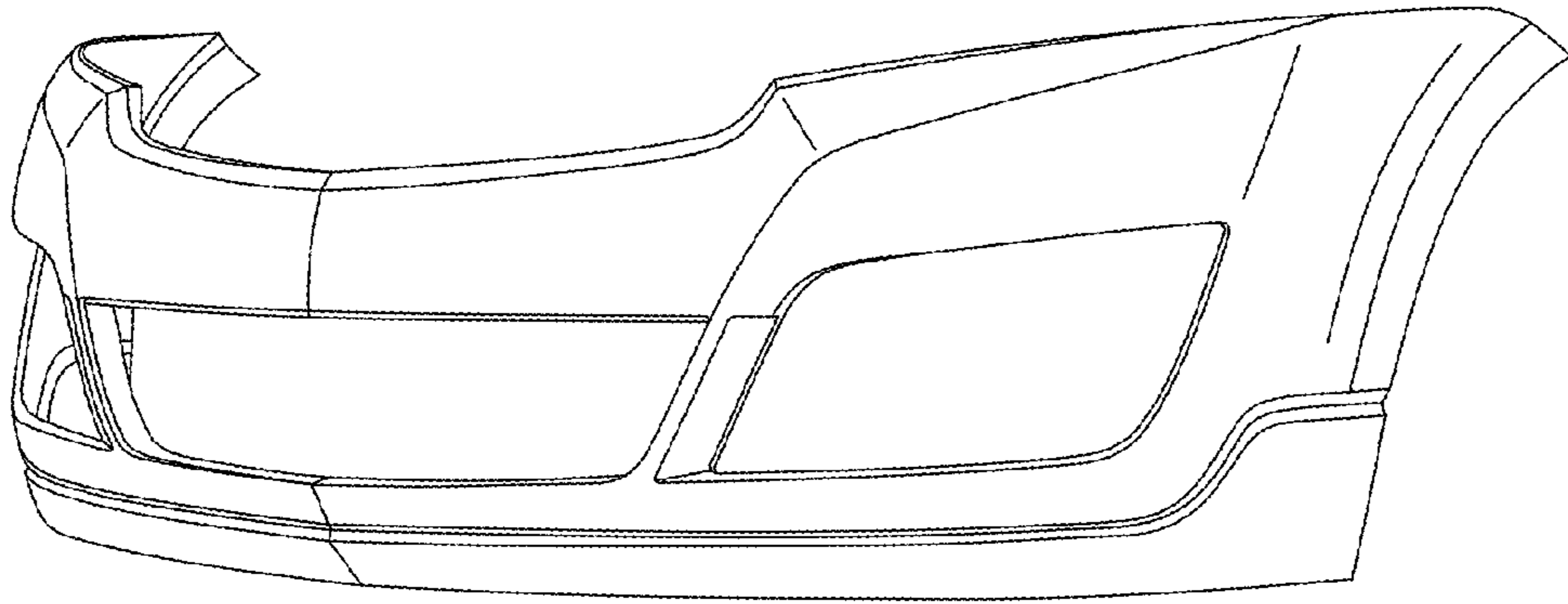


Fig-1

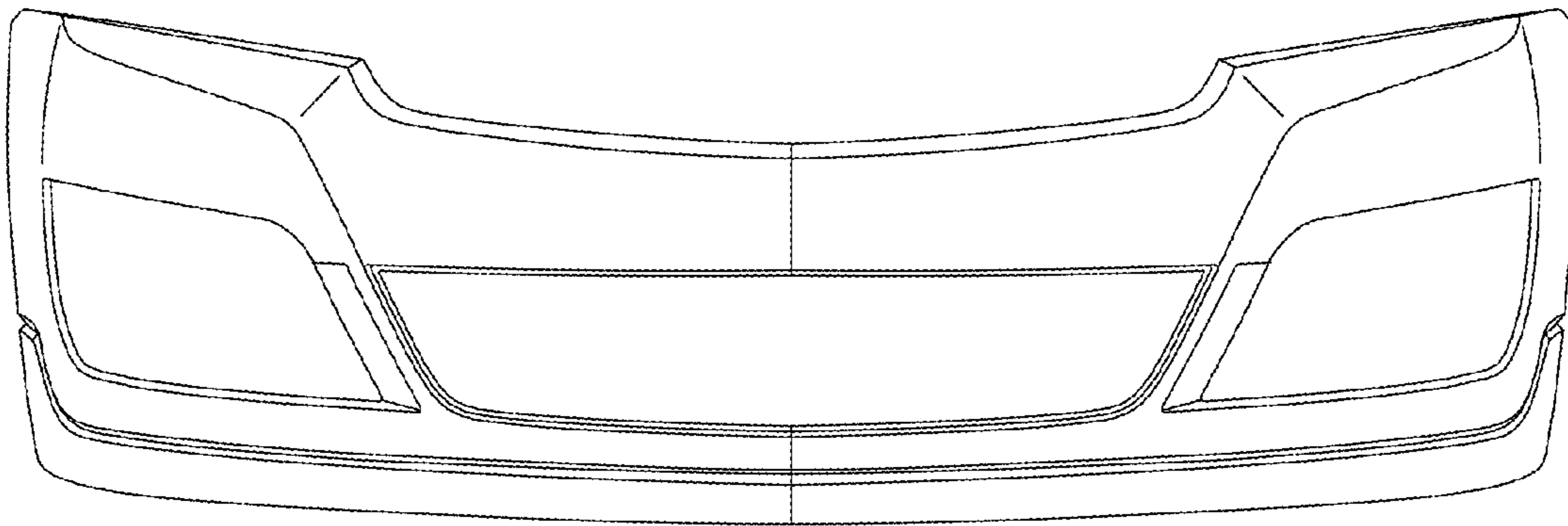


Fig-2

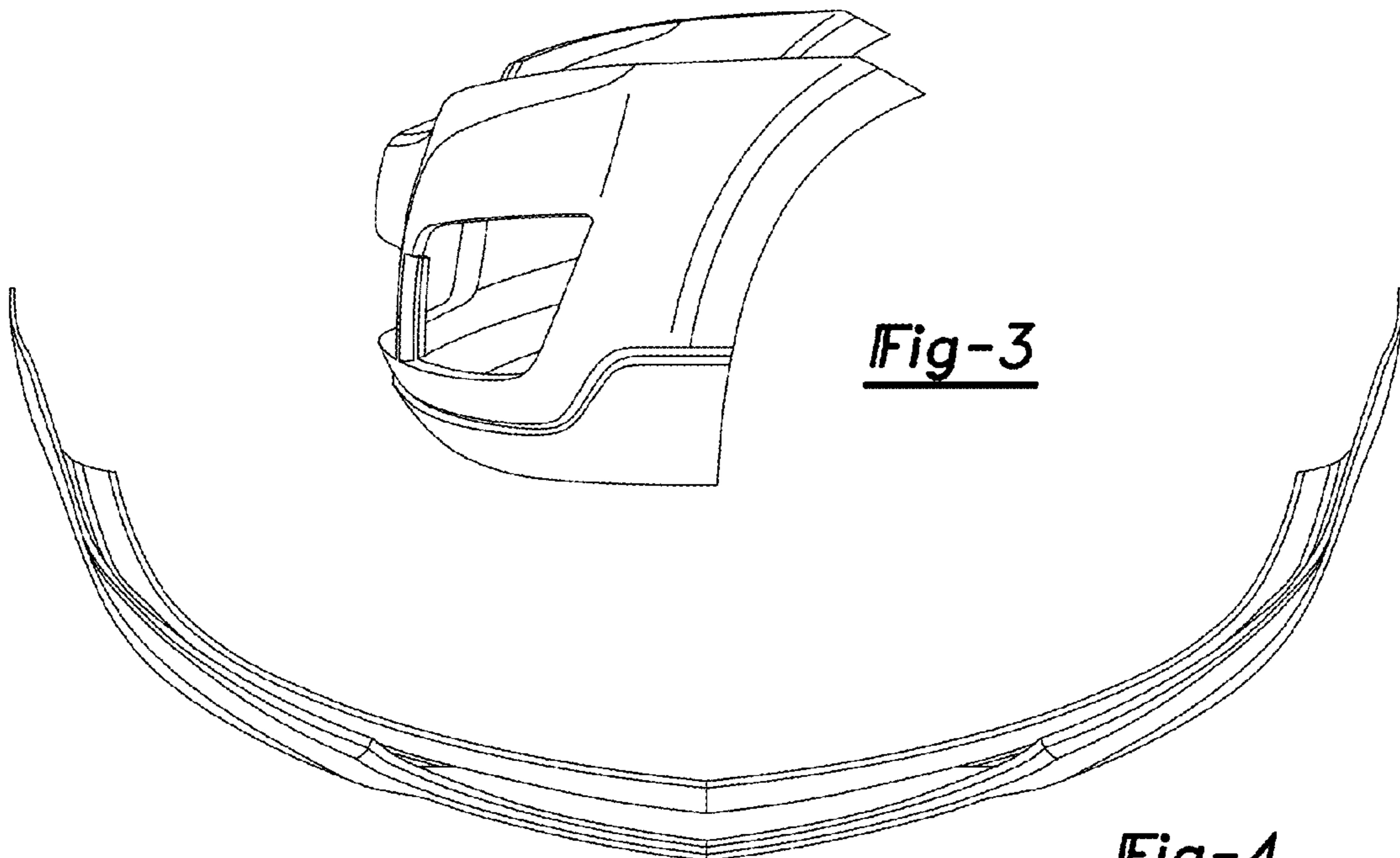


Fig-3

Fig-4