



US00D679224S

(12) **United States Design Patent**  
**Li**

(10) **Patent No.:** **US D679,224 S**

(45) **Date of Patent:** **\*\* Apr. 2, 2013**

(54) **BICYCLE SEAT POST**

*Primary Examiner* — Susan M Lee

*Assistant Examiner* — Linda G Brooks

(76) Inventor: **Mu-Rong Li**, Taichung (TW)

(\*\*) Term: **14 Years**

(21) Appl. No.: **29/413,952**

(22) Filed: **Feb. 22, 2012**

(51) **LOC (9) Cl.** ..... **12-11**

(52) **U.S. Cl.** ..... **D12/119**

(58) **Field of Classification Search** ..... D12/119,  
D12/111; 297/195.1, 215.13–215.15, 208,  
297/209; 248/622, 599, 629; 280/273–276,  
280/281.1

See application file for complete search history.

(56) **References Cited**

U.S. PATENT DOCUMENTS

D369,577 S *	5/1996	Liou	.....	D12/119
5,664,829 A *	9/1997	Thomson et al.	.....	297/215.14
5,829,733 A *	11/1998	Becker	.....	248/631
D407,998 S *	4/1999	Thomson	.....	D12/119
D413,284 S *	8/1999	Thomson et al.	.....	D12/119
D413,840 S *	9/1999	Mele	.....	D12/119
D502,674 S *	3/2005	Drew et al.	.....	D12/119
7,144,029 B1 *	12/2006	Heady	.....	280/288.4
D658,096 S *	4/2012	D’Aluisio	.....	D12/119

\* cited by examiner

(57) **CLAIM**

The ornamental design for a bicycle seat post, as shown and described.

**DESCRIPTION**

FIG. 1 is a perspective view of a bicycle seat post showing my new design;

FIG. 2 is a front elevational view thereof;

FIG. 3 is a rear elevational view thereof;

FIG. 4 is a left side view thereof;

FIG. 5 is a right side view thereof;

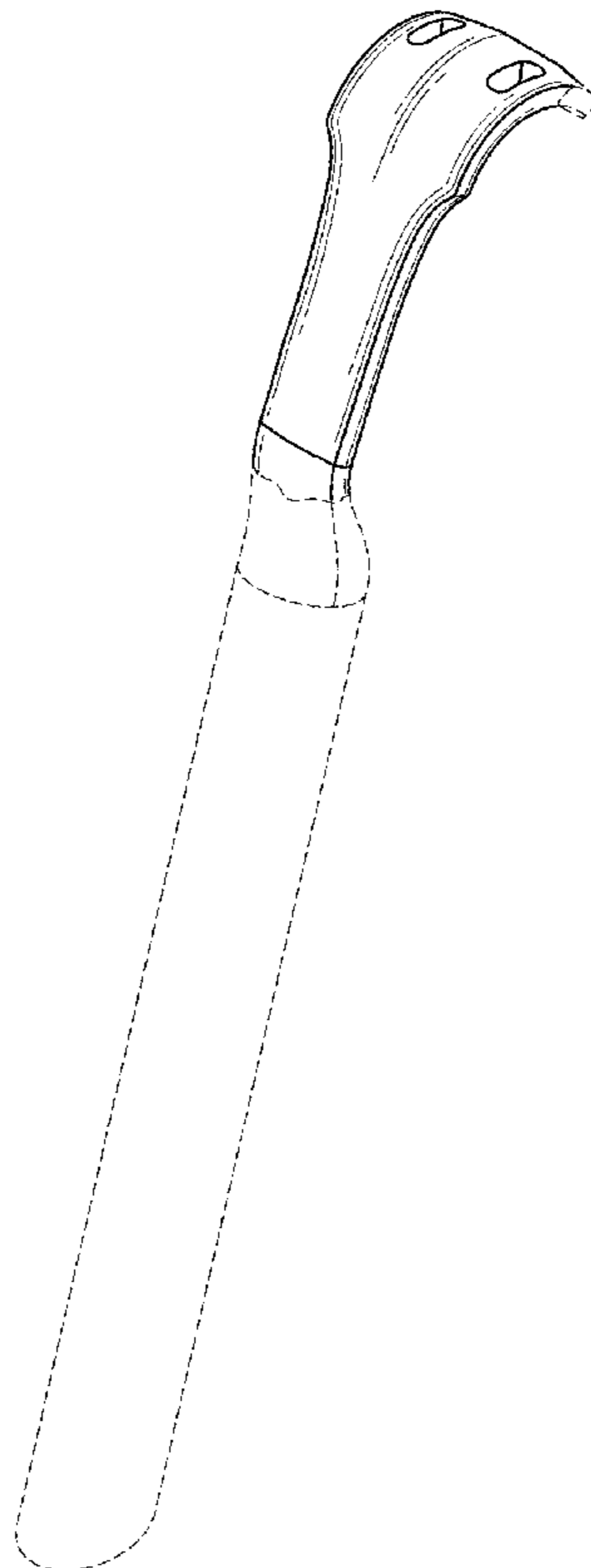
FIG. 6 is a top plan view thereof;

FIG. 7 is a bottom plan view thereof; and,

FIG. 8 is another perspective view thereof.

The broken lines immediately adjacent the shaded areas represent the bounds of the claimed design, while all other broken lines are directed to environmental structure and are for illustrative purposes only; the broken lines form no part of the claimed design.

**1 Claim, 7 Drawing Sheets**



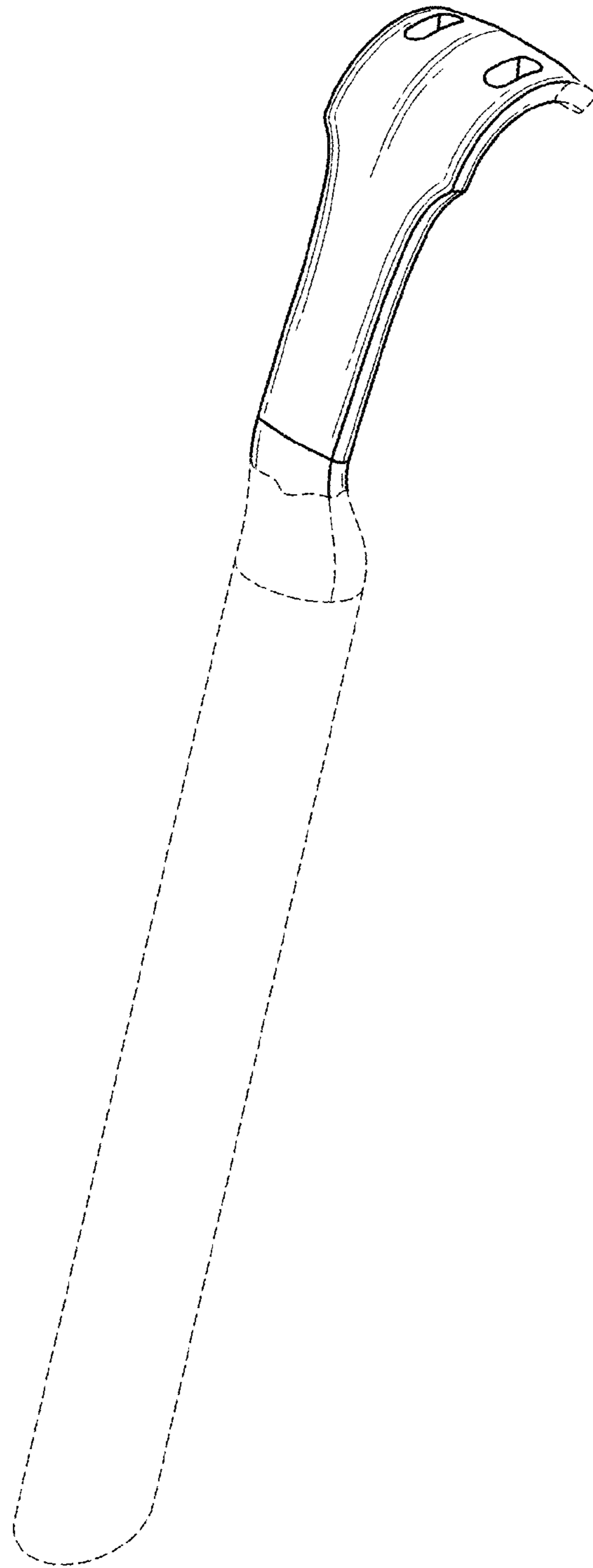


FIG. 1

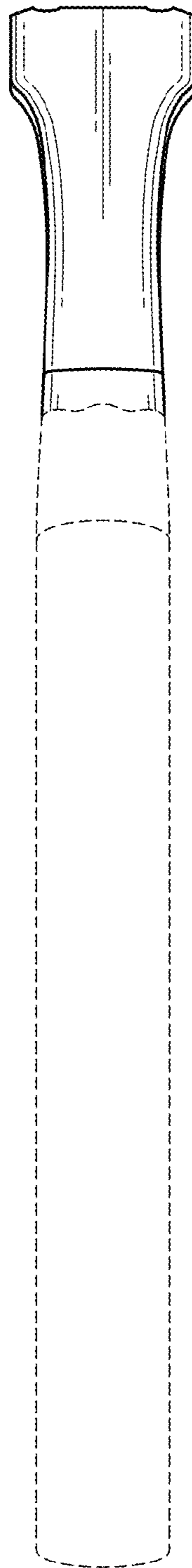


FIG. 2

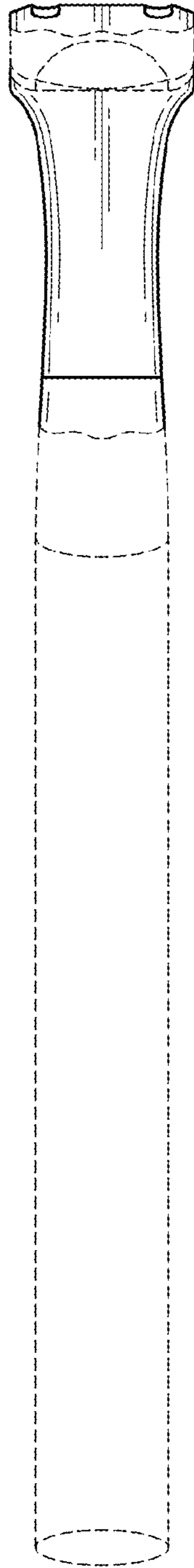


FIG. 3

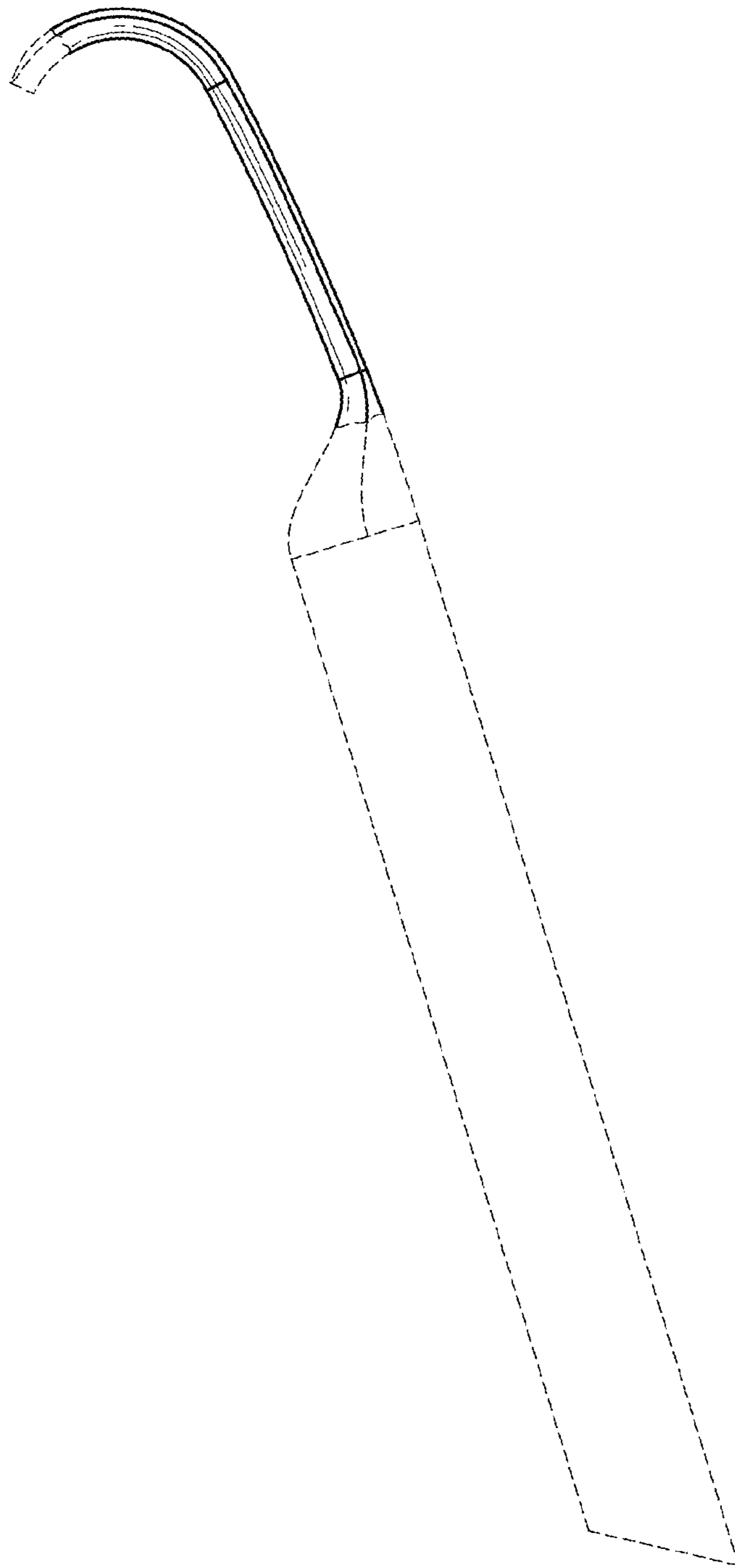


FIG. 4

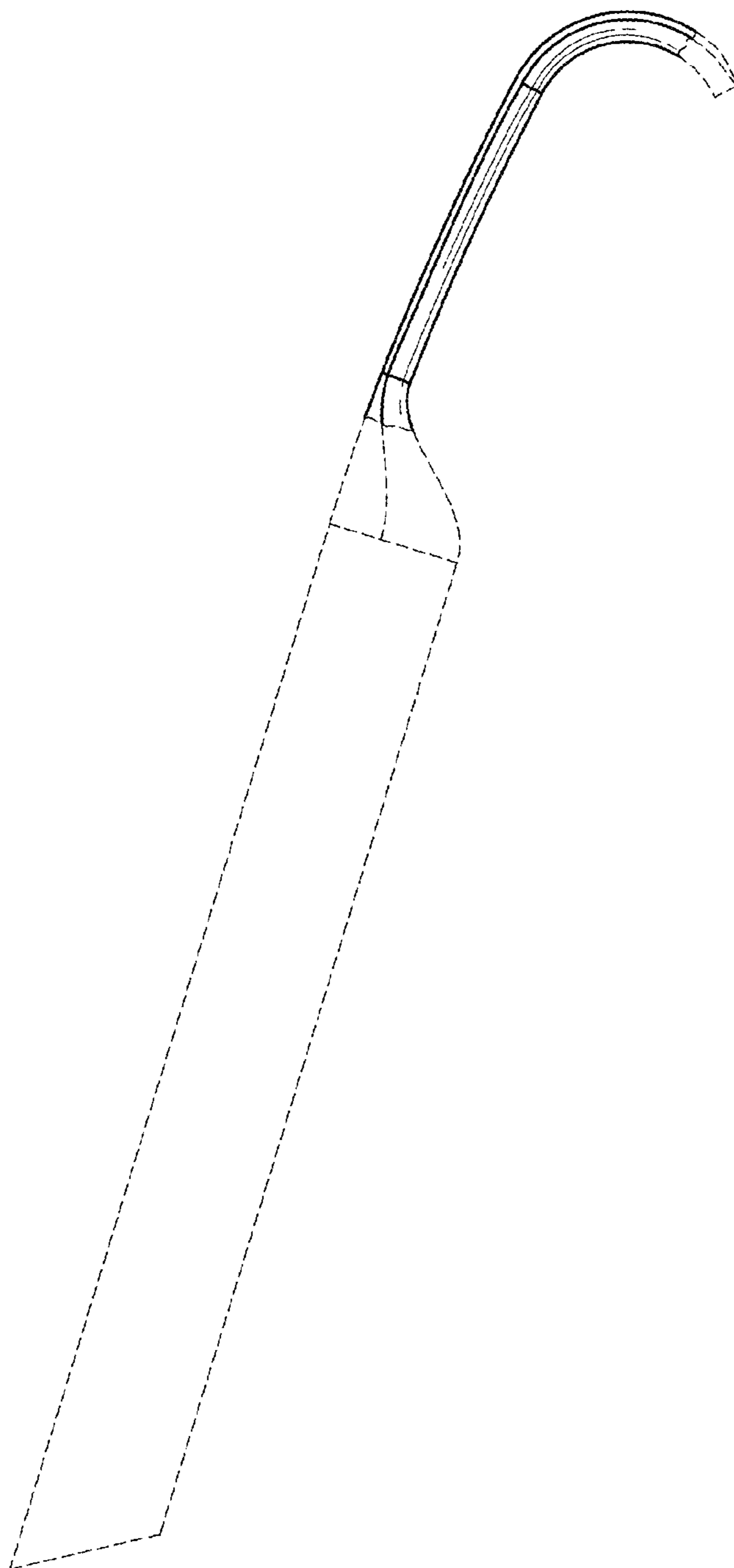


FIG. 5

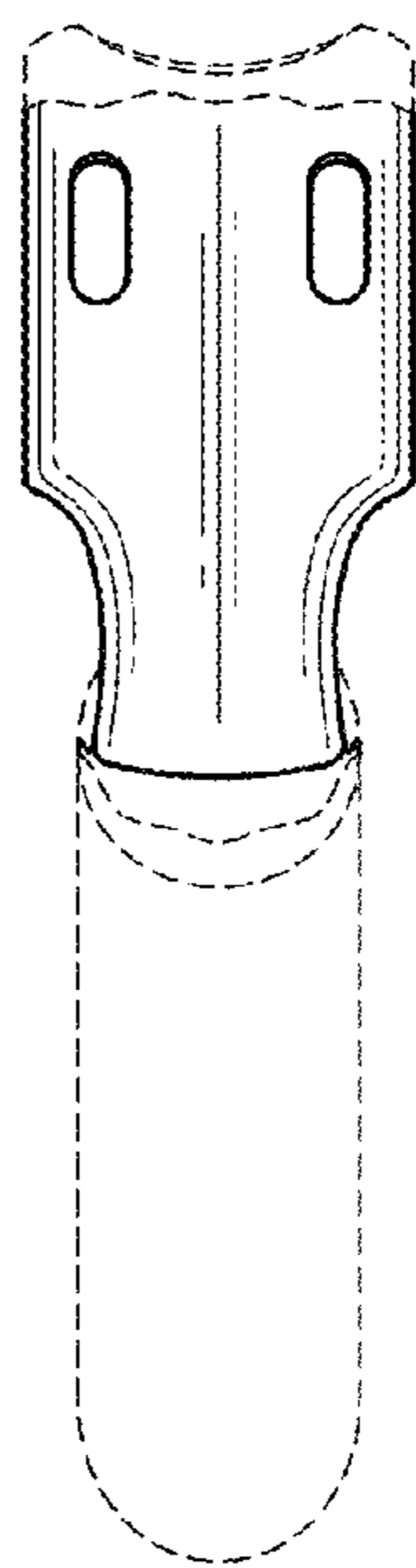


FIG. 6

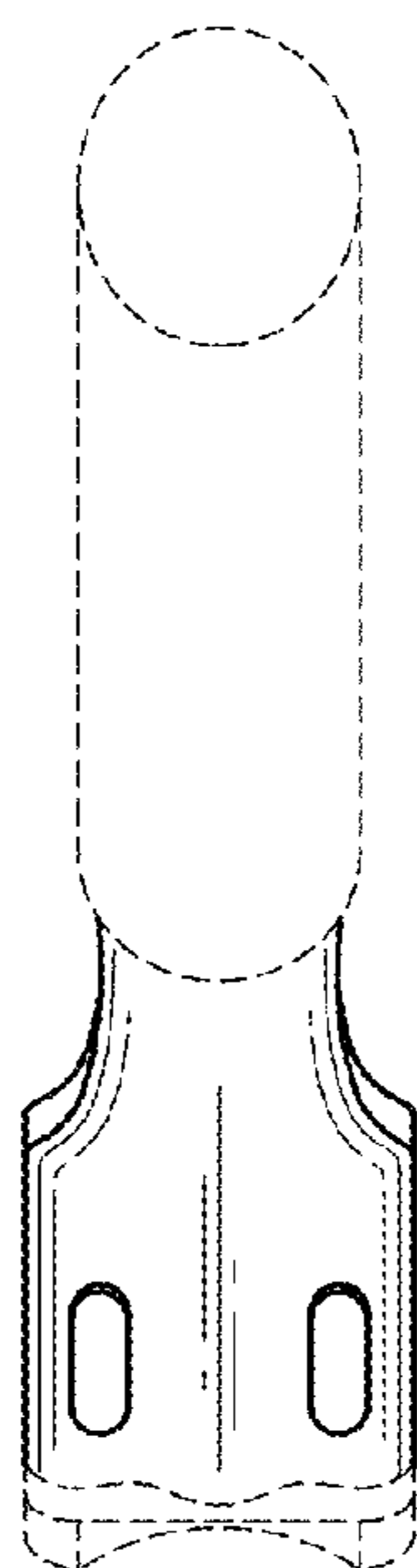


FIG. 7

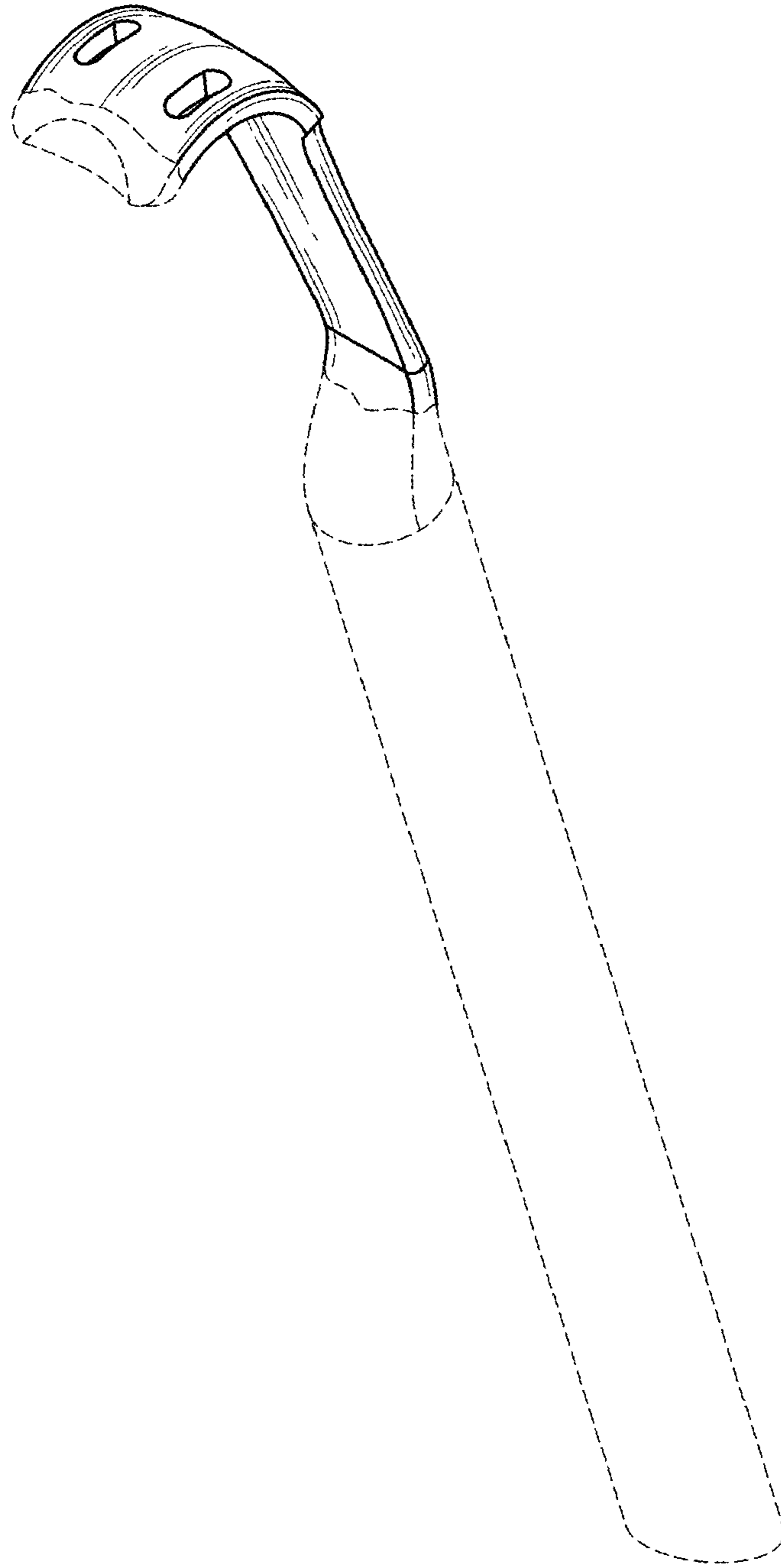


FIG. 8