



US00D679215S

(12) **United States Design Patent**
Roehl

(10) **Patent No.:** **US D679,215 S**

(45) **Date of Patent:** **** Apr. 2, 2013**

(54) **THIRTEEN GEMSTONES IN AN
ARRANGEMENT IN A JEWELRY SETTING**

(75) Inventor: **Stephen A. Roehl**, Des Plaines, IL (US)

(73) Assignee: **Fantasy Diamond Corporation**,
Chicago, IL (US)

(**) Term: **14 Years**

(21) Appl. No.: **29/363,637**

(22) Filed: **Jun. 11, 2010**

(51) **LOC (9) Cl.** **11-01**

(52) **U.S. Cl.** **D11/91**

(58) **Field of Classification Search** D11/89-91,
D11/1-6, 11, 16, 25, 26, 34-43, 79, 222,
D11/75; 63/1.11-14.1, 15-15.4, 20, 22,
63/23, 26-33

See application file for complete search history.

(56) **References Cited**

U.S. PATENT DOCUMENTS

D556,084 S *	11/2007	Kothari	D11/91
D584,184 S *	1/2009	Dholakiya	D11/91
D620,387 S *	7/2010	Kothari	D11/91
D634,230 S *	3/2011	Arlanda	D11/79
D642,088 S *	7/2011	Kothari	D11/91
D643,327 S *	8/2011	Kothari	D11/91
D647,817 S *	11/2011	Kothari	D11/91
D648,650 S *	11/2011	Roehl et al.	D11/91

D649,084 S *	11/2011	Roehl et al.	D11/91
D650,307 S *	12/2011	Roehl et al.	D11/91
D650,308 S *	12/2011	Roehl et al.	D11/91
D654,394 S *	2/2012	Kothari	D11/91
D655,219 S *	3/2012	Kothari	D11/91

* cited by examiner

Primary Examiner — David Muller

(74) *Attorney, Agent, or Firm* — Husch Blackwell LLP

(57) **CLAIM**

The ornamental design for a thirteen gemstones in an arrangement in a jewelry setting, as shown and described.

DESCRIPTION

FIG. 1 is a perspective view of a thirteen gemstones in an arrangement in a jewelry setting showing my new design.

FIG. 2 is a left end elevational view thereof, the right end elevation view and rear elevational view being a mirror image thereof.

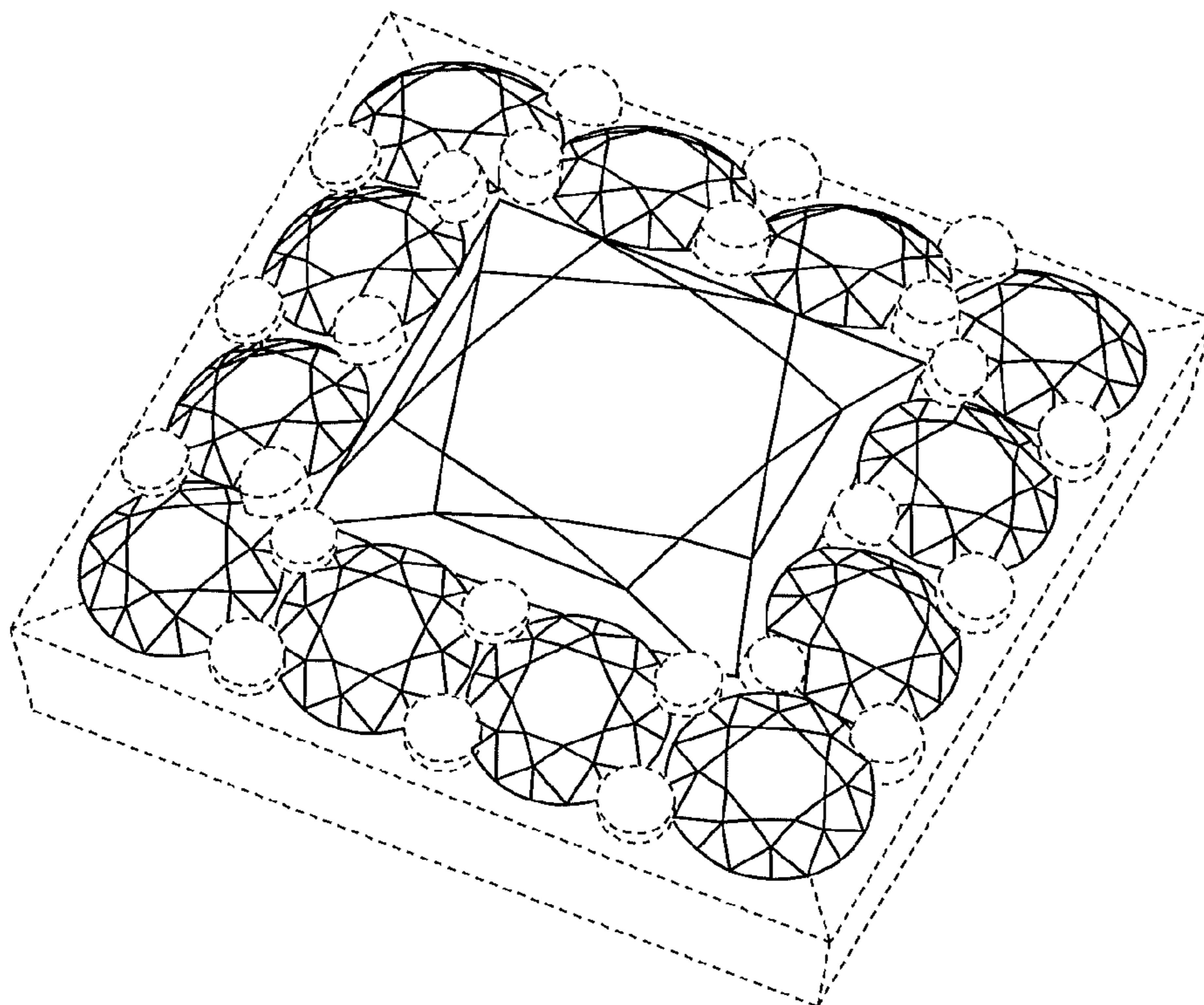
FIG. 3 is a top front elevational view thereof.

FIG. 4 is cross-sectional view thereof, taken along line 4-4 in FIG. 3; and,

FIG. 5 is an enlarged cross-sectional view of the circled area in FIG. 4.

The dash dot lines in FIGS. 4 and 5 represent the boundary area of the enlarged area shown in FIG. 5. The broken lines shown in the drawings are for environmental purposes only and form no part of the claimed design.

1 Claim, 2 Drawing Sheets



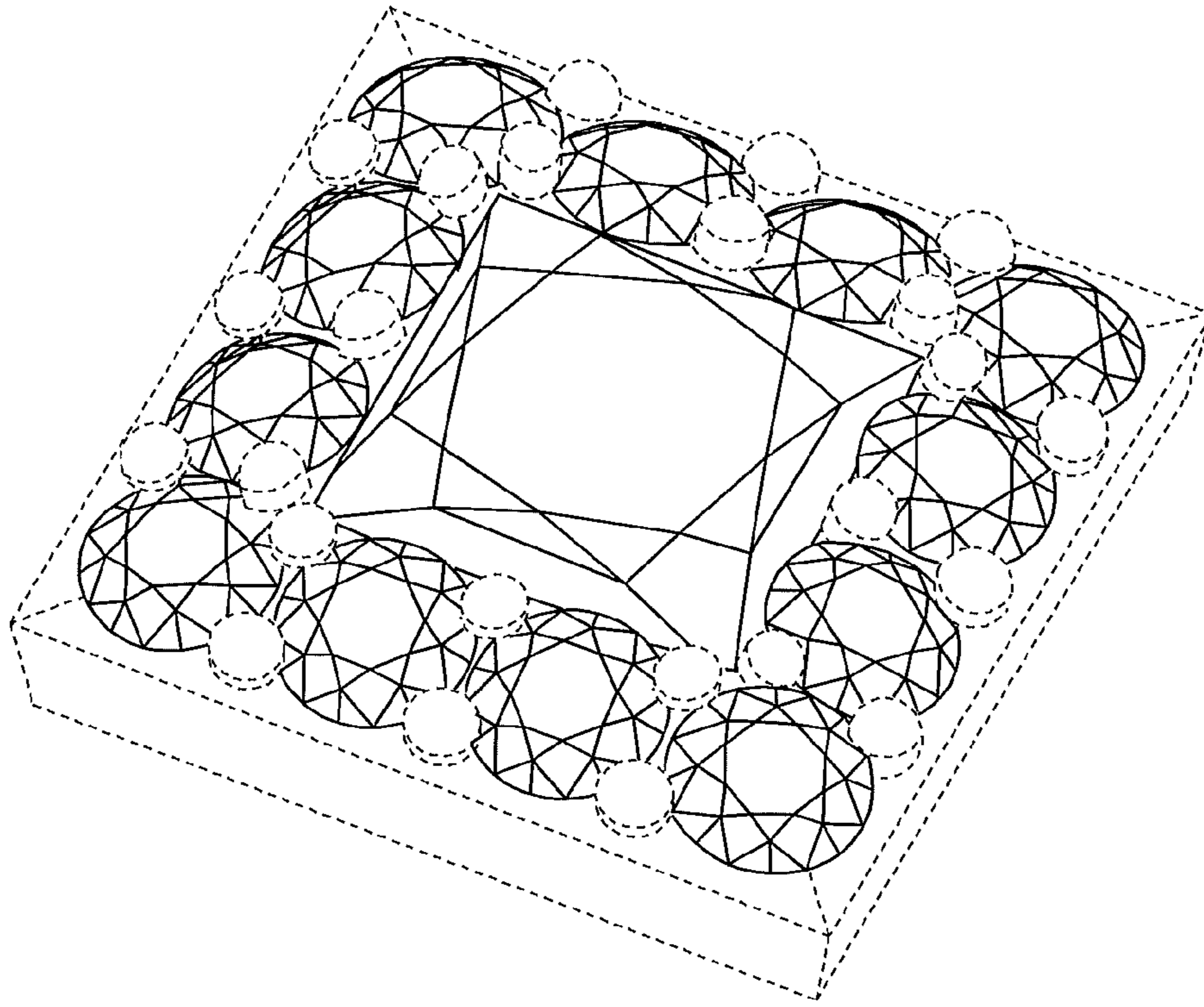


FIG. 1

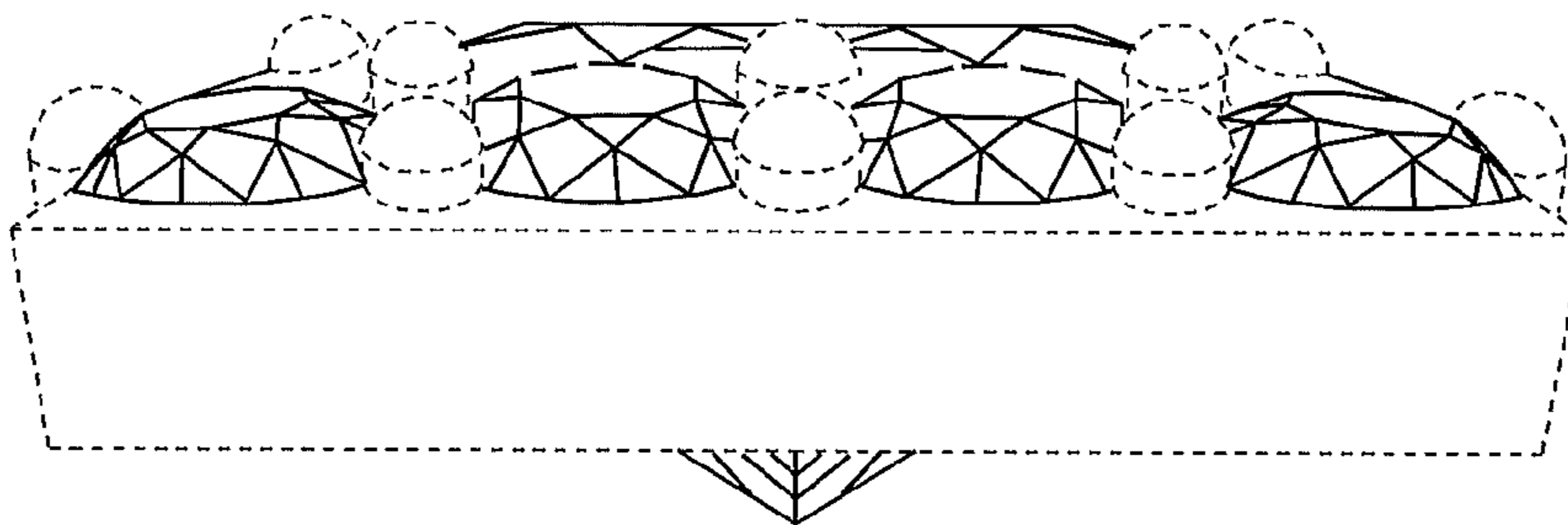


FIG. 2

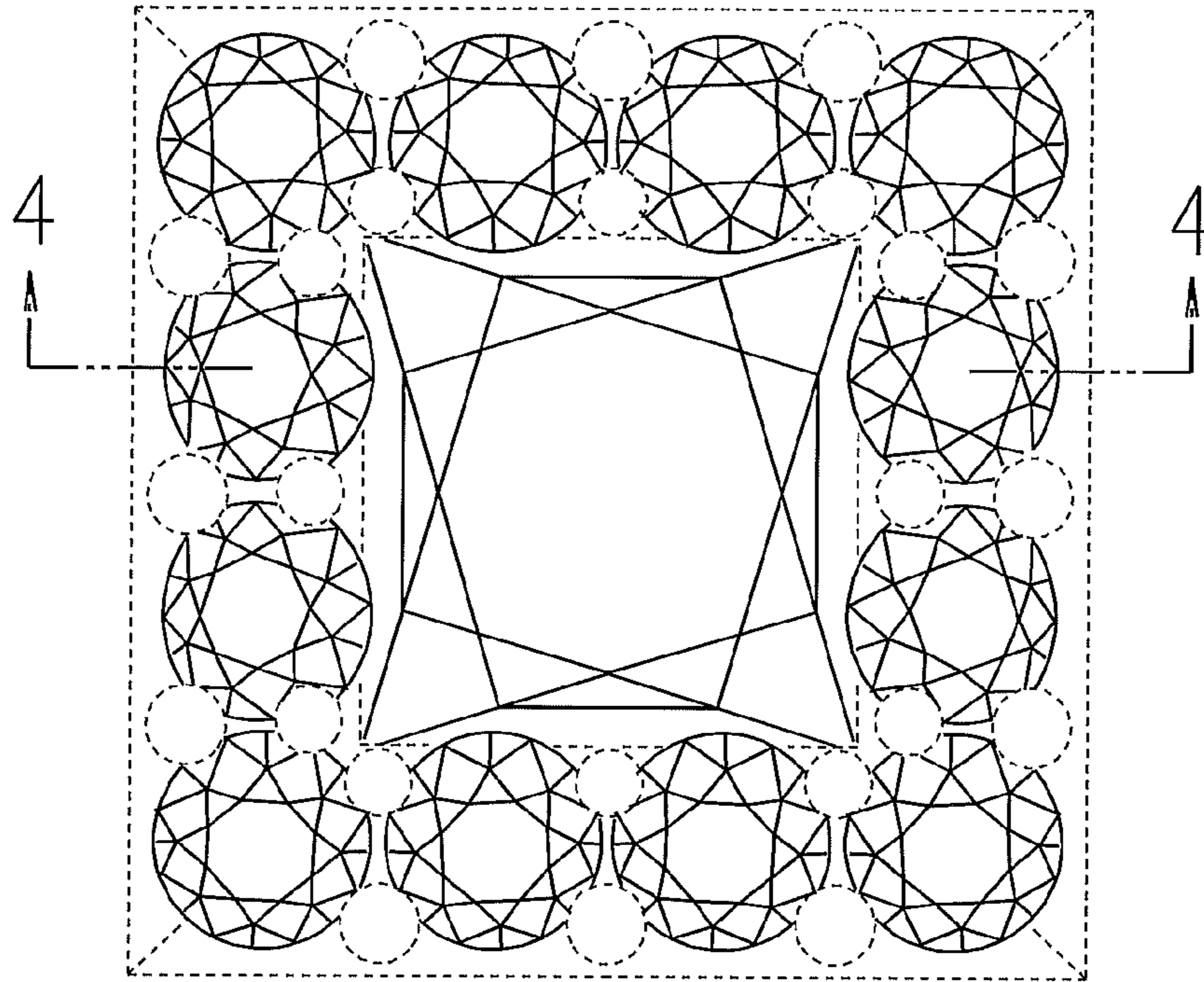


FIG. 3

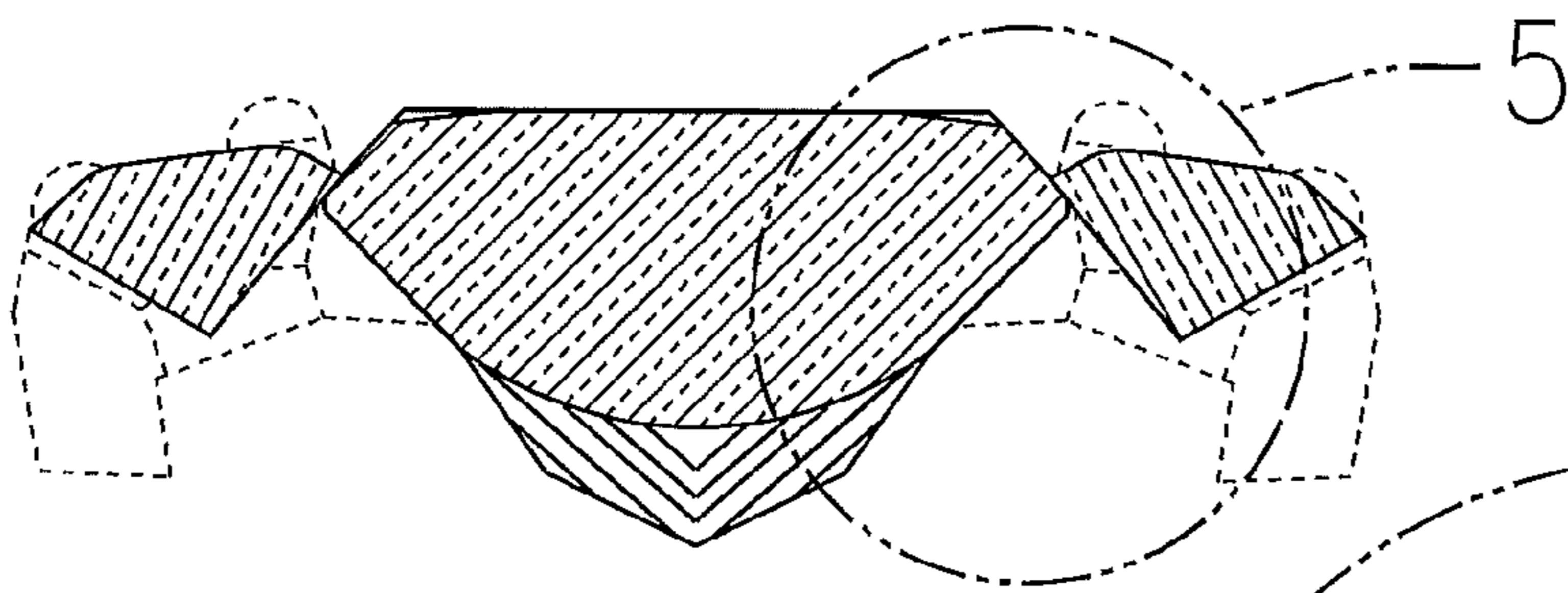


FIG. 4

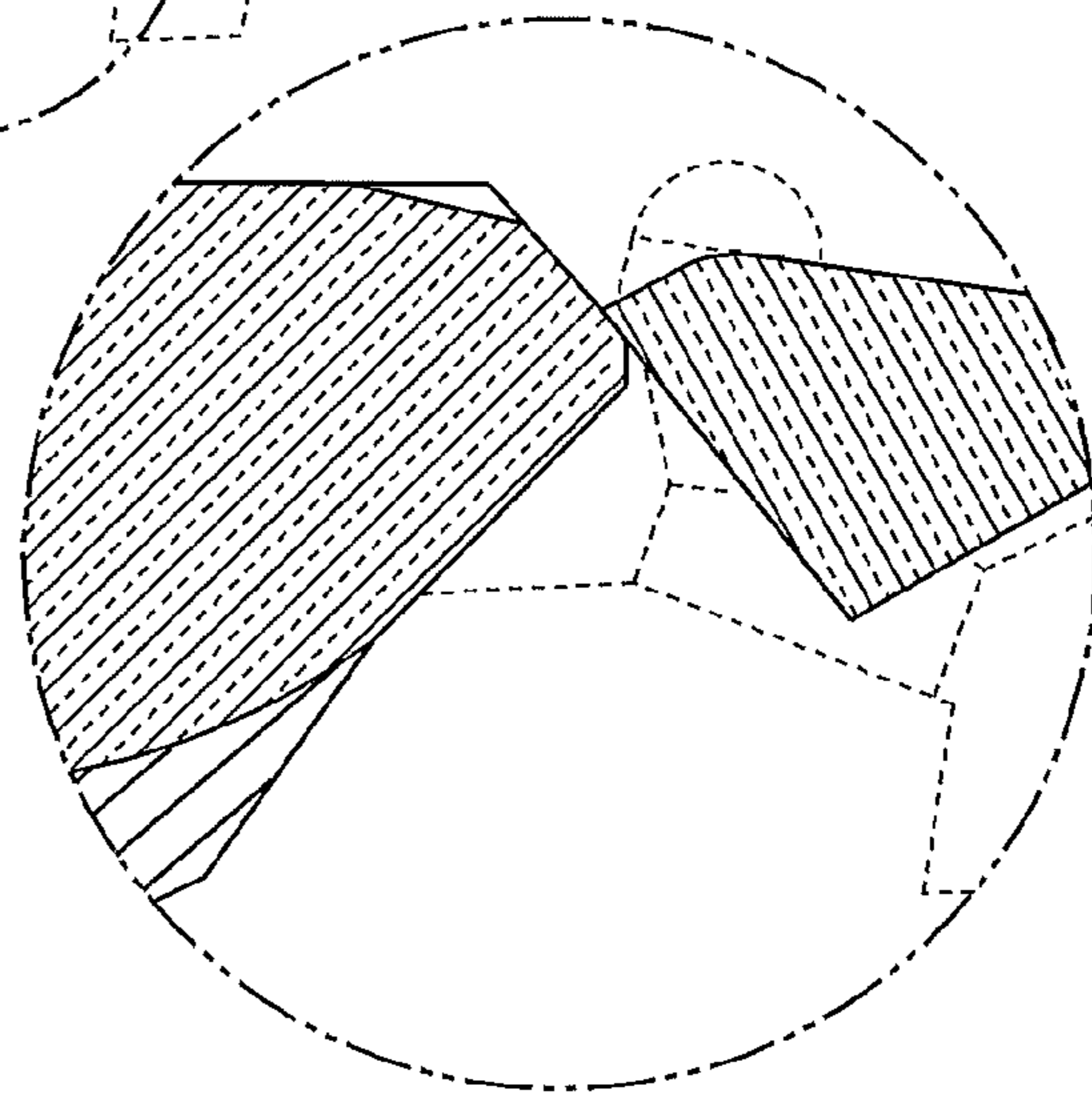


FIG. 5