



US00D679214S

(12) **United States Design Patent**
Huskinson

(10) **Patent No.:** **US D679,214 S**

(45) **Date of Patent:** **** Apr. 2, 2013**

(54) **CLASS RING WRAP**

D615,446 S * 5/2010 Vagal D11/34
D635,478 S 4/2011 Ventura
D647,419 S * 10/2011 Wong D11/34

(76) Inventor: **Emily Huskinson**, College Station, TX
(US)

OTHER PUBLICATIONS

(**) Term: **14 Years**

<http://www.aggiejeweler.com/index.cfm?load=photoalbum&album=9>; For My Fellow Aggies!—Photo Galleries—Fifth C Fine Jewelry.

(21) Appl. No.: **29/403,216**

Enlargement of photo of one view.
Enlargement of another photo of one view.

(22) Filed: **Oct. 3, 2011**

* cited by examiner

(51) **LOC (9) Cl.** **11-01**

(52) **U.S. Cl.** **D11/26**

(58) **Field of Classification Search** D11/2–6,
D11/26–39; 63/3, 3.1, 3.2, 15, 15.1–15.4,
63/15.45, 15.5, 15.6, 15.65

See application file for complete search history.

Primary Examiner — Jennifer Rivard
Assistant Examiner — Melanie Pellegrini
(74) *Attorney, Agent, or Firm* — Douglas Baldwin

(57) **CLAIM**

The ornamental design for a class ring wrap, as shown and described.

(56) **References Cited**

DESCRIPTION

U.S. PATENT DOCUMENTS

D255,556 S *	6/1980	Bogner et al.	D11/35
D257,020 S *	9/1980	Barr	D11/29
5,419,158 A	5/1995	Sandberg et al.	
D372,681 S *	8/1996	Davis et al.	D11/26
5,596,387 A	1/1997	Bergagnini	
D377,916 S	2/1997	Roemer	
5,727,399 A *	3/1998	Bergagnini	63/15.4
D404,332 S *	1/1999	Perrin et al.	D11/29
D438,486 S *	3/2001	Ghemati	D11/26
D462,288 S *	9/2002	Jongsoonthornthurakit ..	D11/26
D477,243 S	7/2003	Benderly	
D490,338 S *	5/2004	Hurwitz	D11/34
D529,146 S	9/2006	Wortmann et al.	
D565,991 S *	4/2008	Mouclier	D11/26

FIG. 1 is a top and right side perspective view of a class ring wrap showing my new design;
FIG. 2 is a right side elevation view thereof, the left side elevational being identical;
FIG. 3 is a front elevational view thereof, the rear elevational view being identical;
FIG. 4 is a top plan view thereof; and,
FIG. 5 is a bottom plan view thereof.
The broken lines shown in the drawings illustrate portions of the class ring wrap and form no part of the claimed design.

1 Claim, 3 Drawing Sheets





FIG. 1

FIG. 2

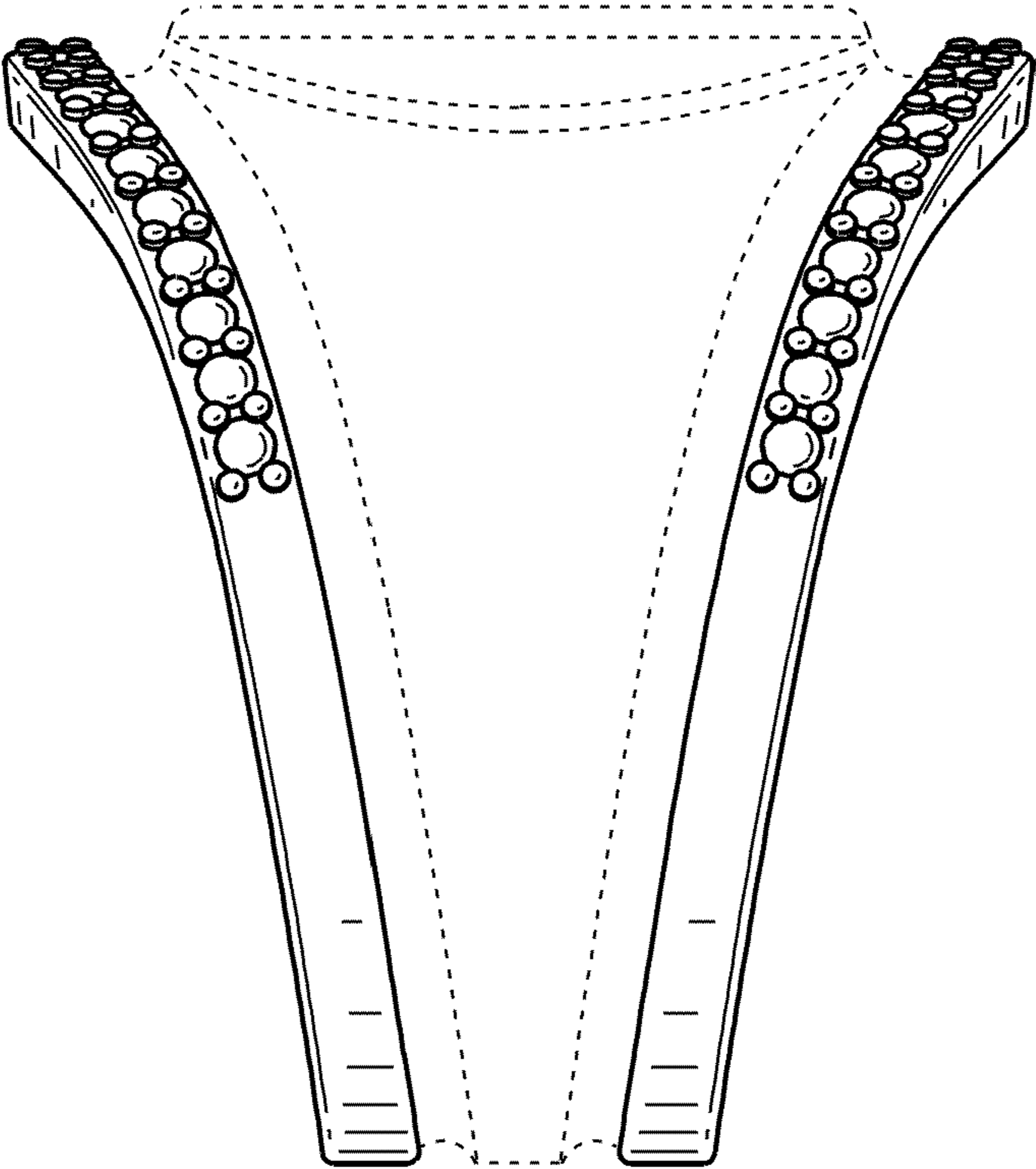


FIG. 3

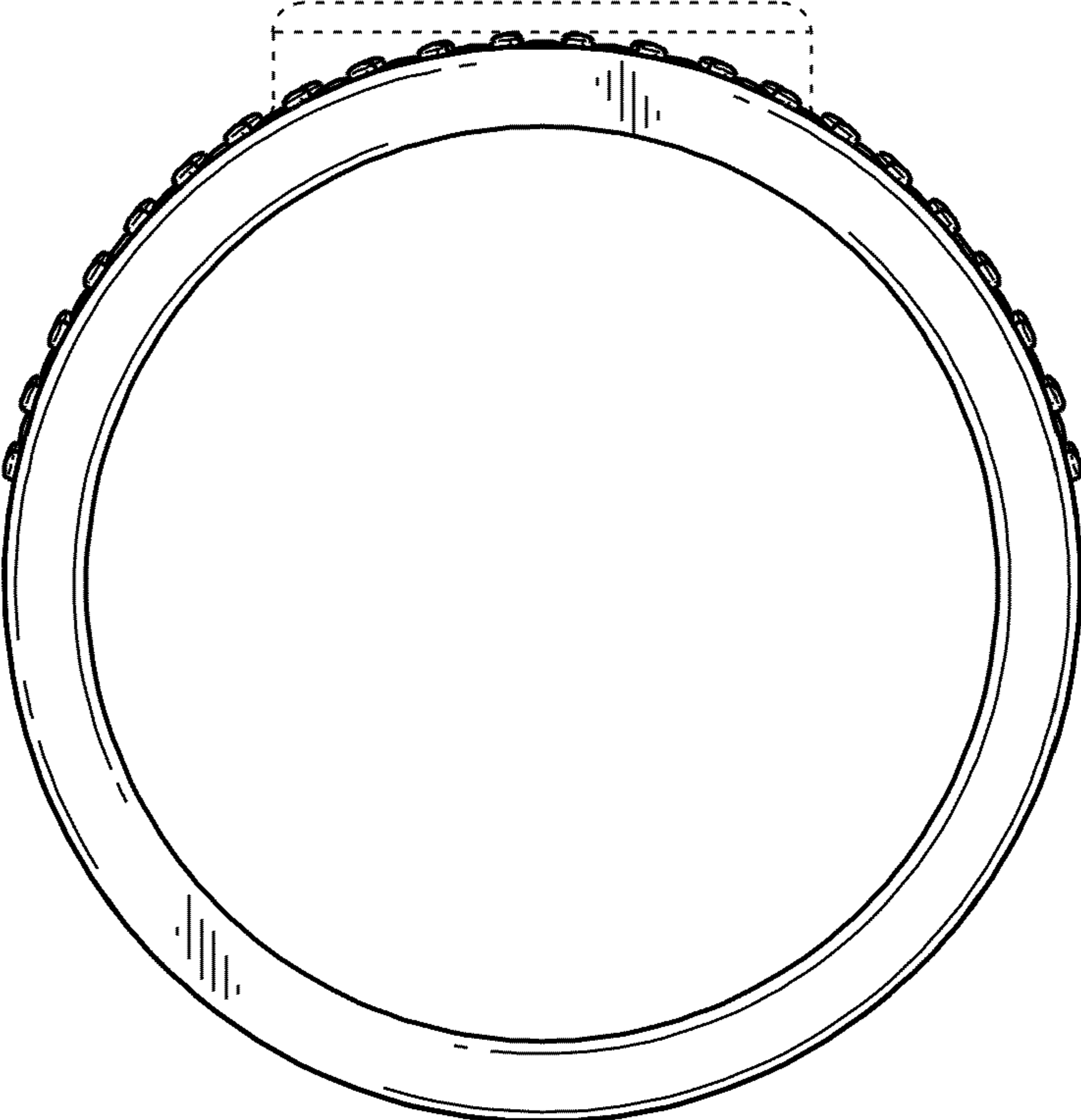


FIG. 4

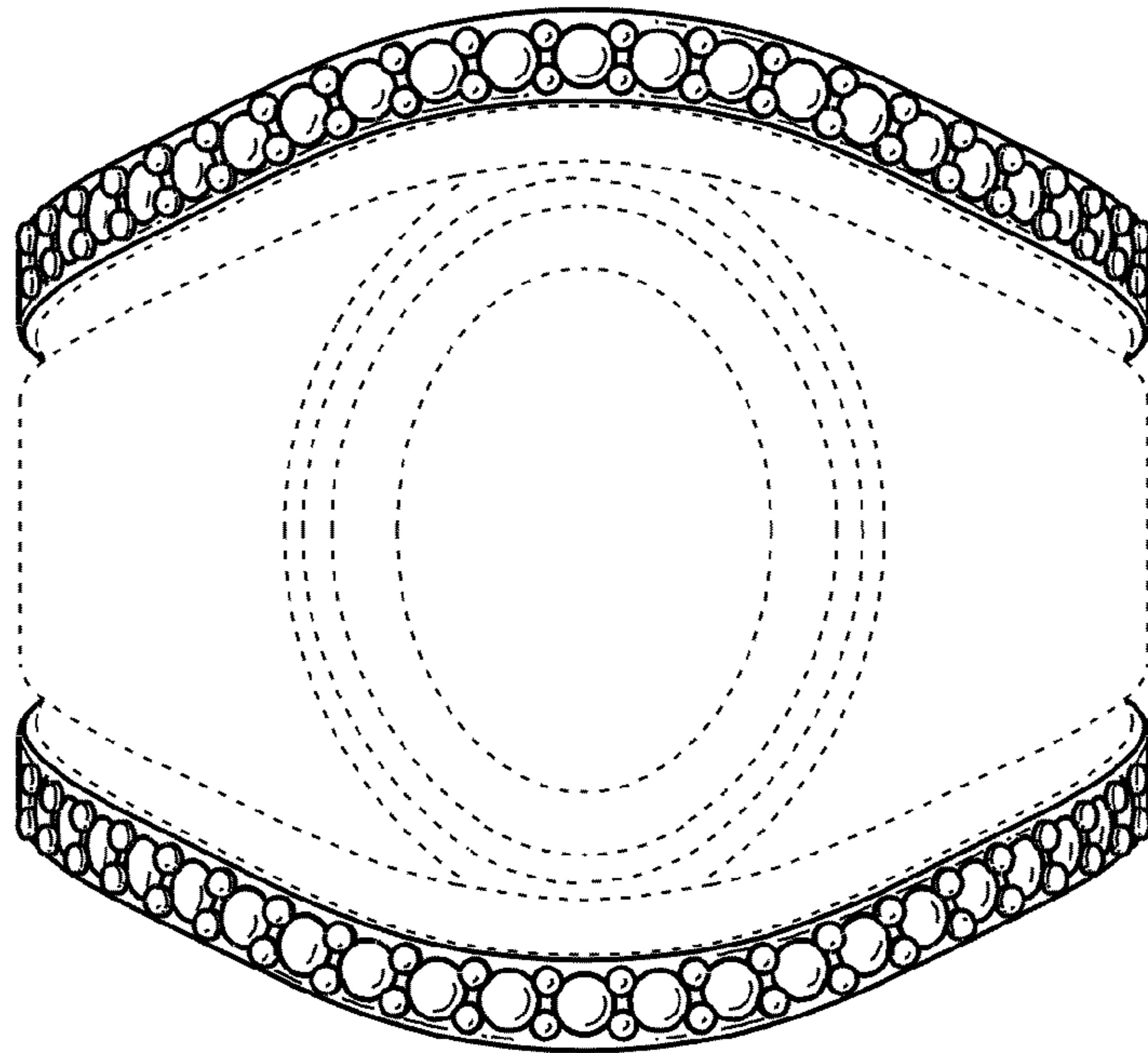


FIG. 5

