



US00D679212S

(12) **United States Design Patent**  
**Nguyen**

(10) **Patent No.:** **US D679,212 S**

(45) **Date of Patent:** **\*\* \*Apr. 2, 2013**

(54) **TOY BIRD WHISTLE**

(76) Inventor: **Than V. Nguyen**, Panorama City, CA  
(US)

(\* ) Notice: This patent is subject to a terminal disclaimer.

(\*\*) Term: **14 Years**

(21) Appl. No.: **29/422,343**

(22) Filed: **May 18, 2012**

**Related U.S. Application Data**

(63) Continuation-in-part of application No. 29/402,013, filed on Sep. 19, 2011.

(51) **LOC (9) Cl.** ..... **10-05**

(52) **U.S. Cl.** ..... **D10/119.3**

(58) **Field of Classification Search** ..... D10/119.1,  
D10/119.3; 446/202-209

See application file for complete search history.

(56) **References Cited**

**U.S. PATENT DOCUMENTS**

5,222,903	A *	6/1993	Parrott et al.	446/207
D498,165	S *	11/2004	Primos et al.	D10/119.2
7,384,323	B2 *	6/2008	Sceery	446/208
D642,950	S *	8/2011	Barden	D10/119.1
8,016,637	B2 *	9/2011	Pribbanow	446/202

\* cited by examiner

*Primary Examiner* — George D Kirschbaum

(74) *Attorney, Agent, or Firm* — John Alunit

(57) **CLAIM**

I claim the ornamental design for a toy bird whistle, as shown and described herein.

**DESCRIPTION**

Portions of the disclosure of this patent document contain material that is subject to copyright protection. The copyright owner has no objection to the facsimile reproduction by anyone of the patent document or the patent disclosure as it appears in the Patent and Trademark Office file or records, but otherwise reserves all copyright rights whatsoever.

FIG. 1 is a left side view of a toy bird whistle according to the new design.

FIG. 2 is a front view of said toy bird whistle according to the new design.

FIG. 3 is a right side view of said toy bird whistle according to the new design.

FIG. 4 is a rear view of said toy bird whistle according to the new design.

FIG. 5 is a vertical, longitudinal sectional view, taken along the line 4-4 of FIG. 1.

FIG. 6 is a top view of said toy bird whistle according to the new design.

FIG. 7 is a left side perspective view of the toy bird whistle according to the new design.

FIG. 8 is a left side perspective view of the toy bird whistle with the beak portion separated from a tail section, according to the new design.

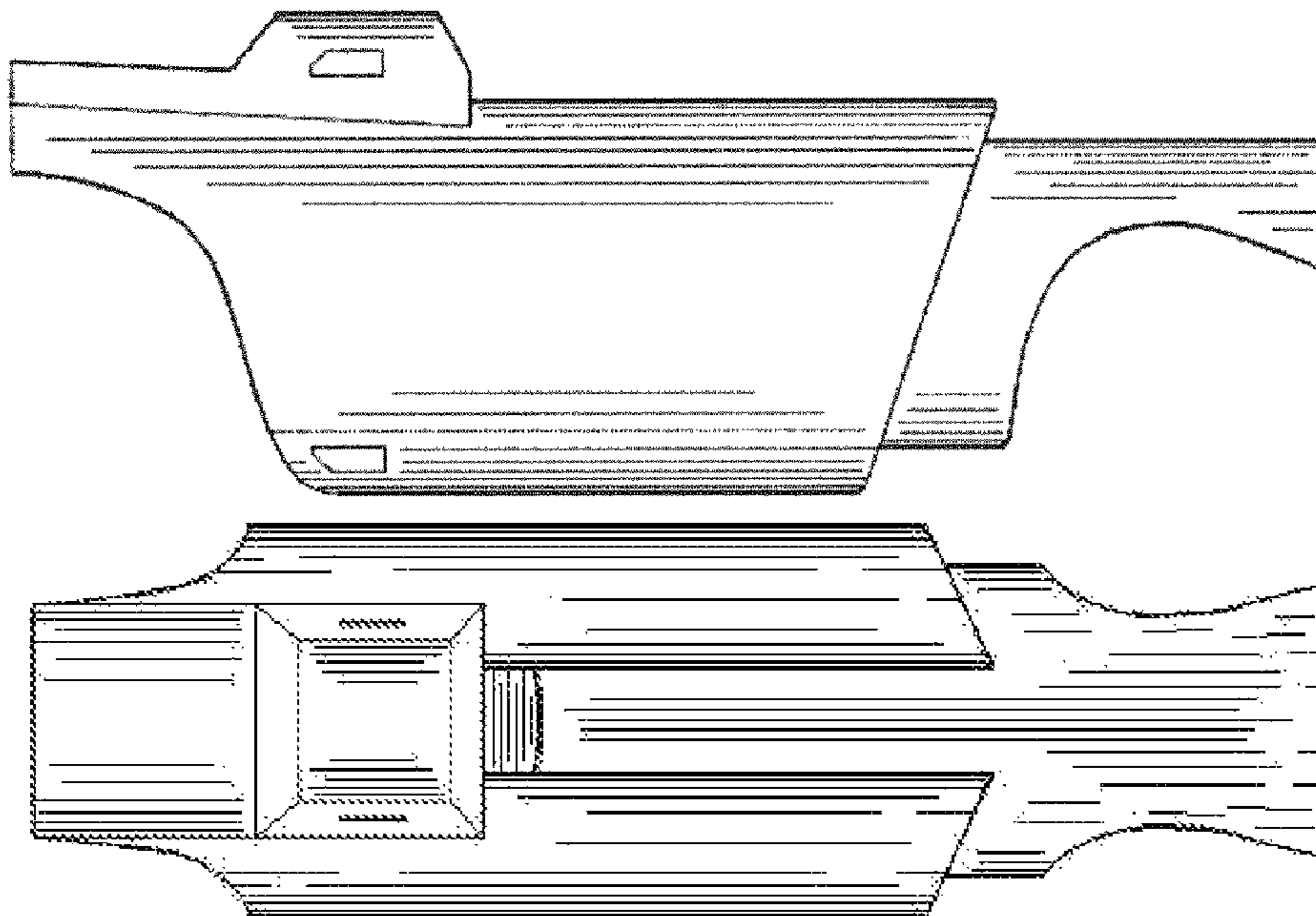
FIG. 9 is a rear view of the beak portion of the toy bird whistle according to the new design.

FIG. 10 is a rear view of the tail section of the toy bird whistle according to the new design; and,

FIG. 11 is a right side perspective view of the toy bird whistle according to the new design.

The broken line showing of a face is included for the purpose of illustrating portions of the "article" and forms no part of the claimed design.

**1 Claim, 3 Drawing Sheets**



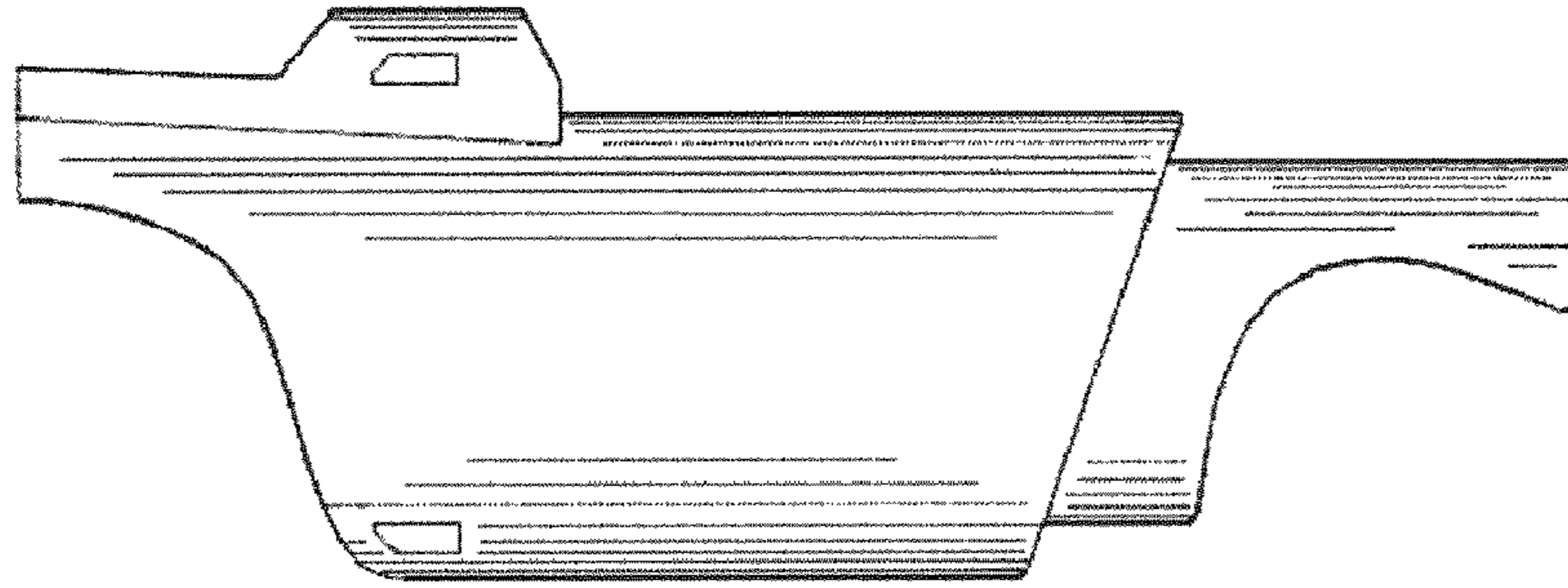


Fig. 1.

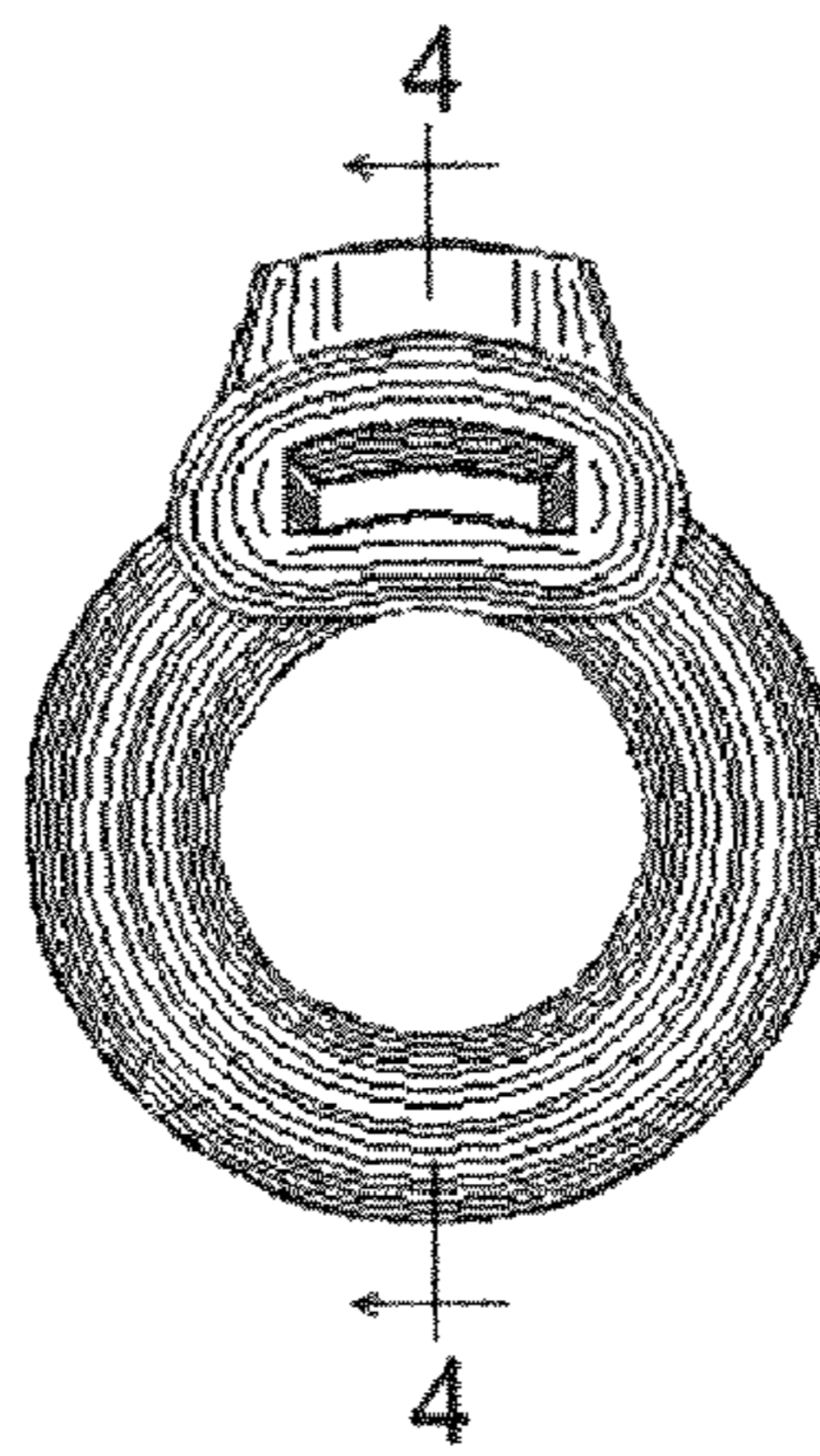


Fig. 2.

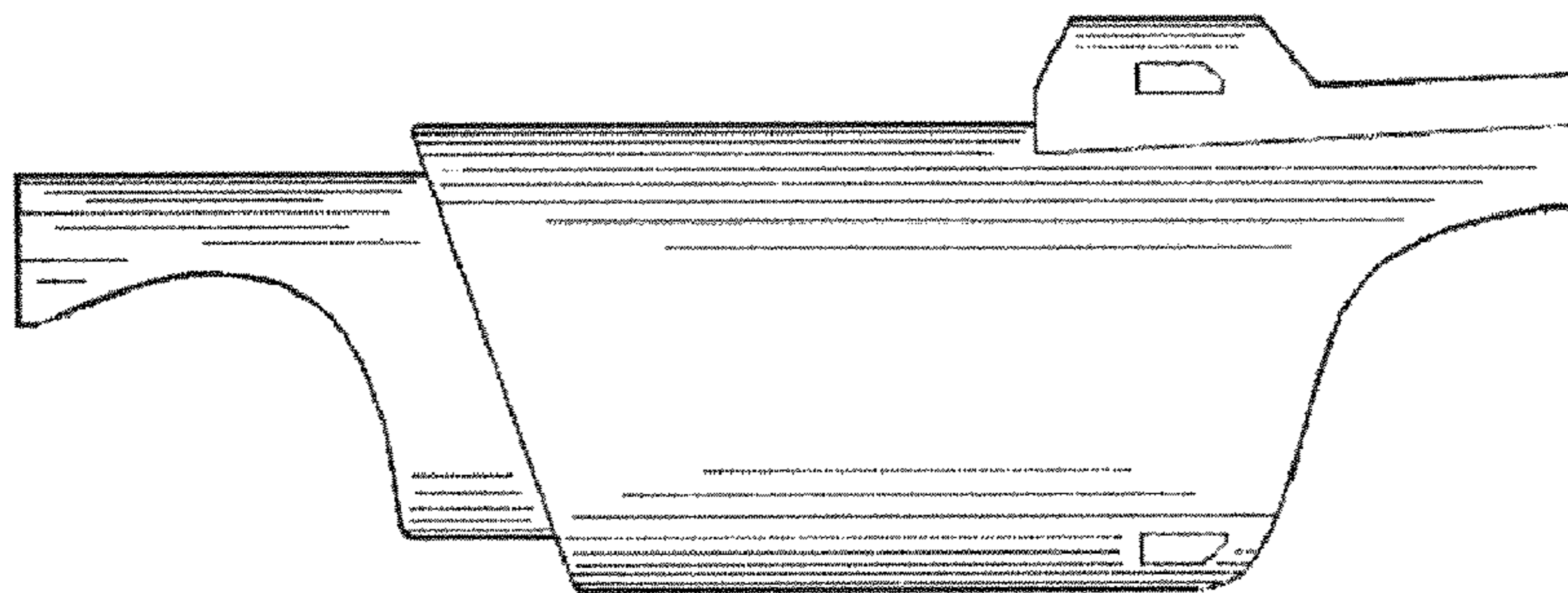


Fig. 3.

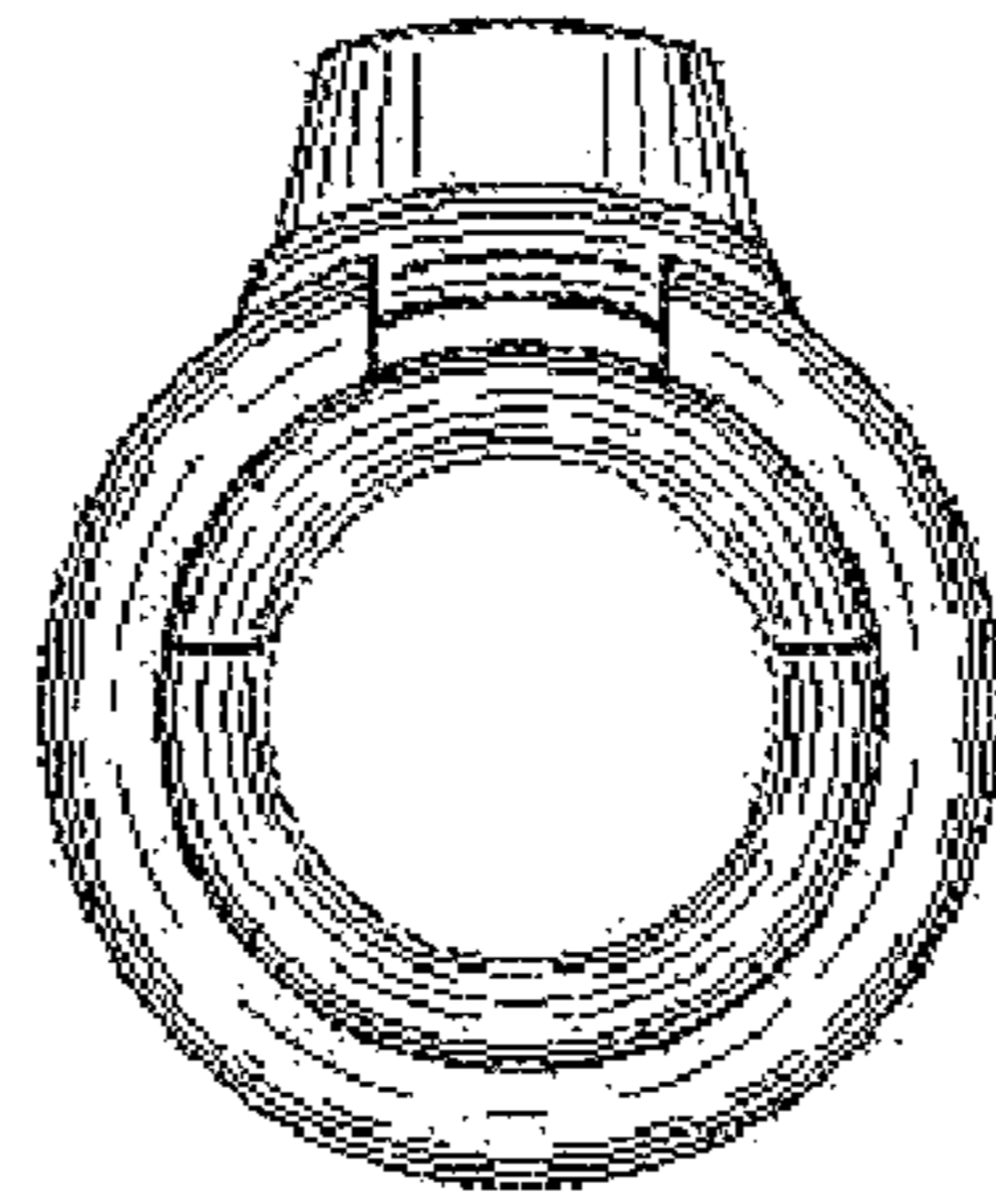


Fig. 4.

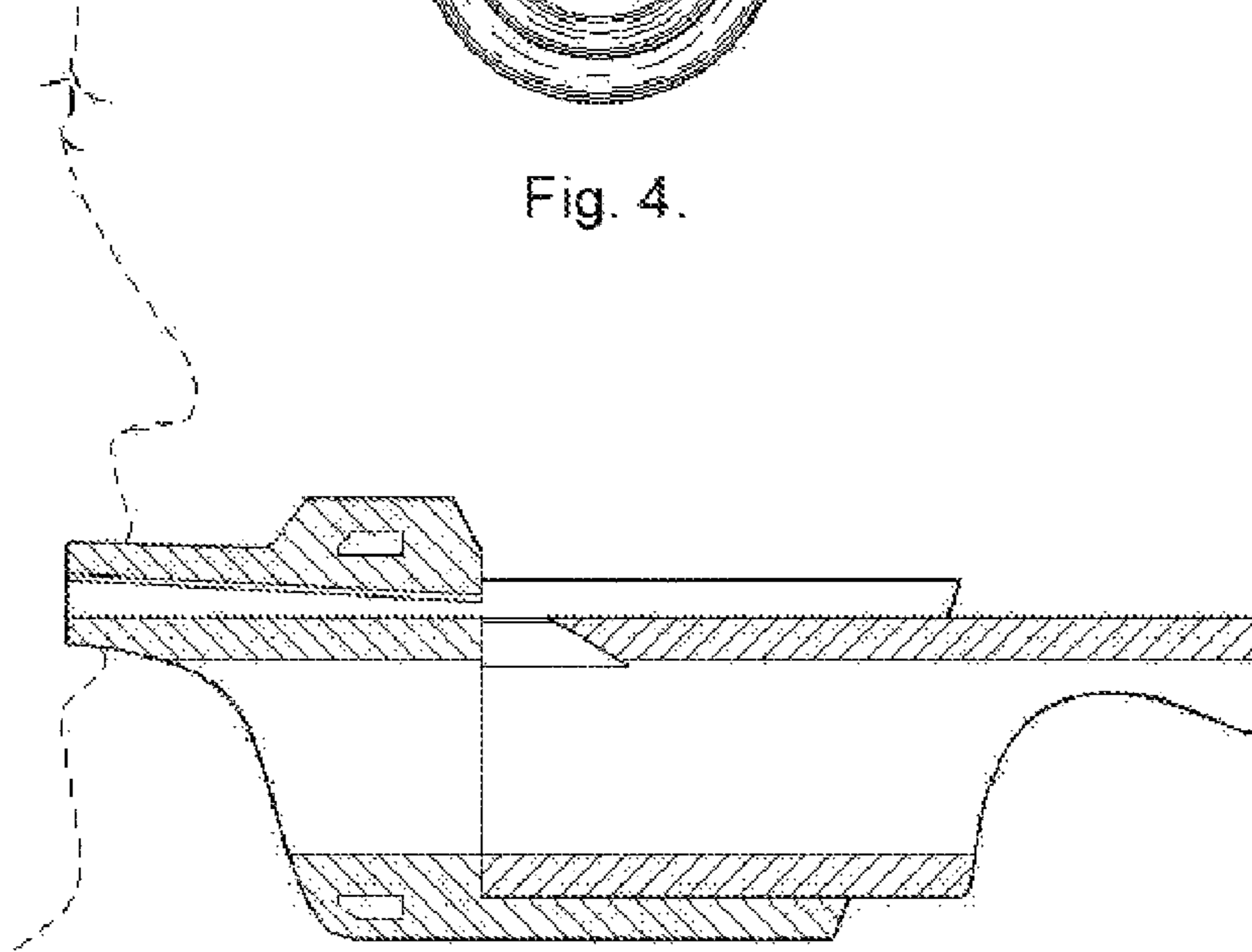


Fig. 5.

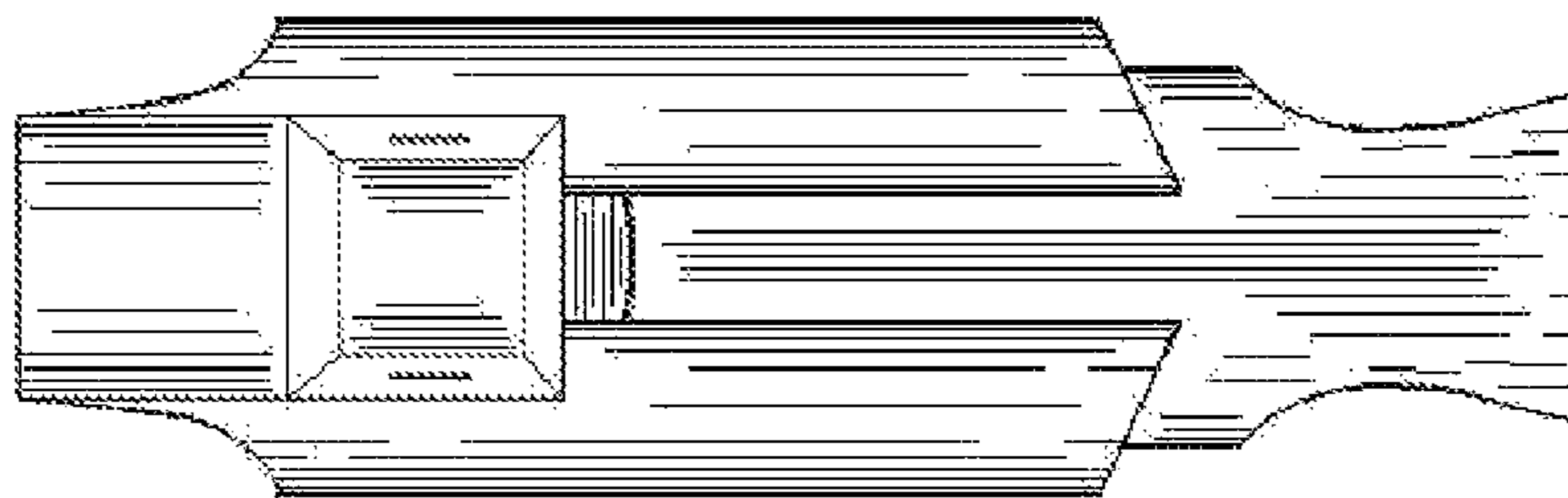


Fig. 6.

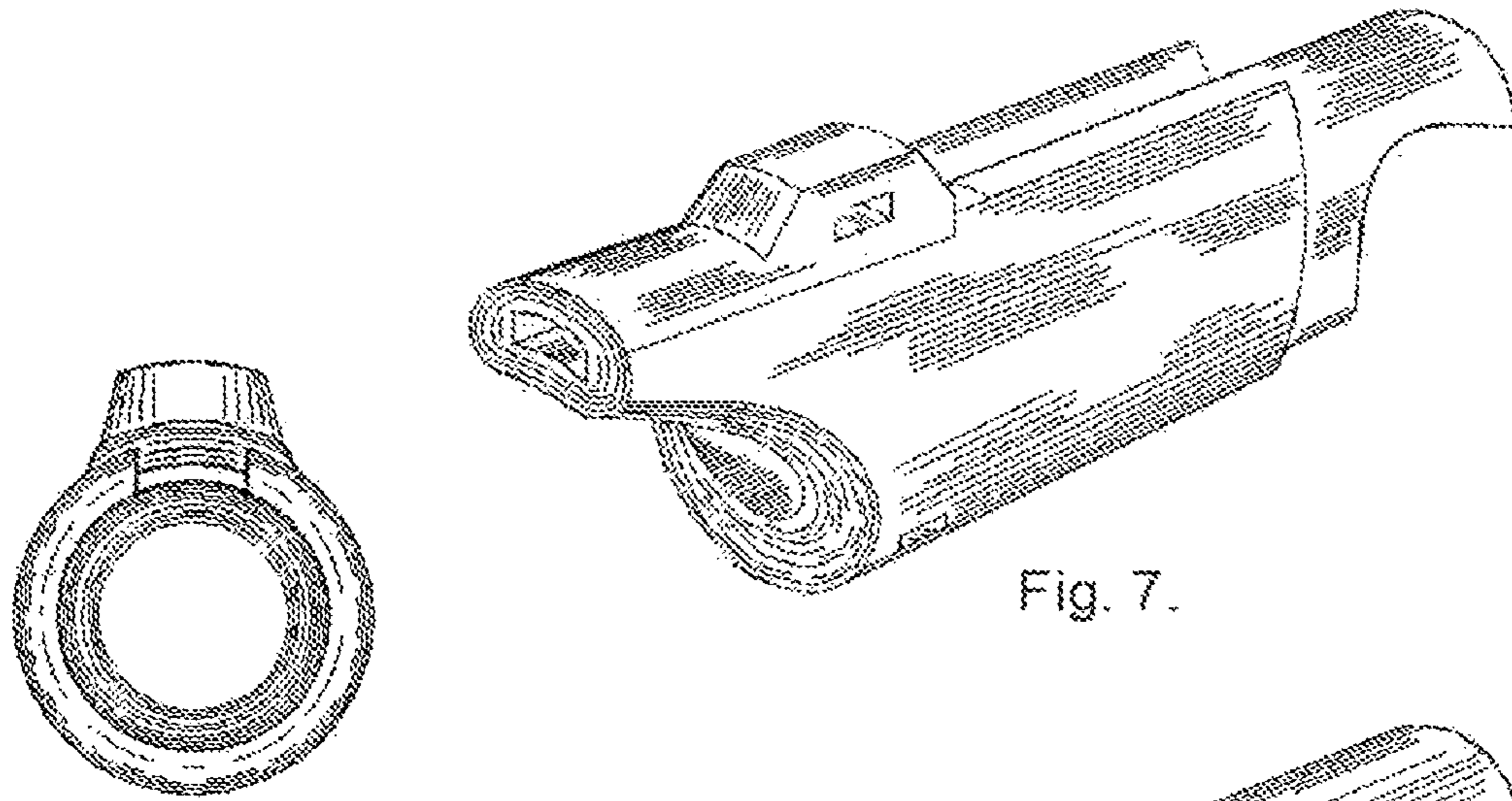


Fig. 7.

Fig. 9.

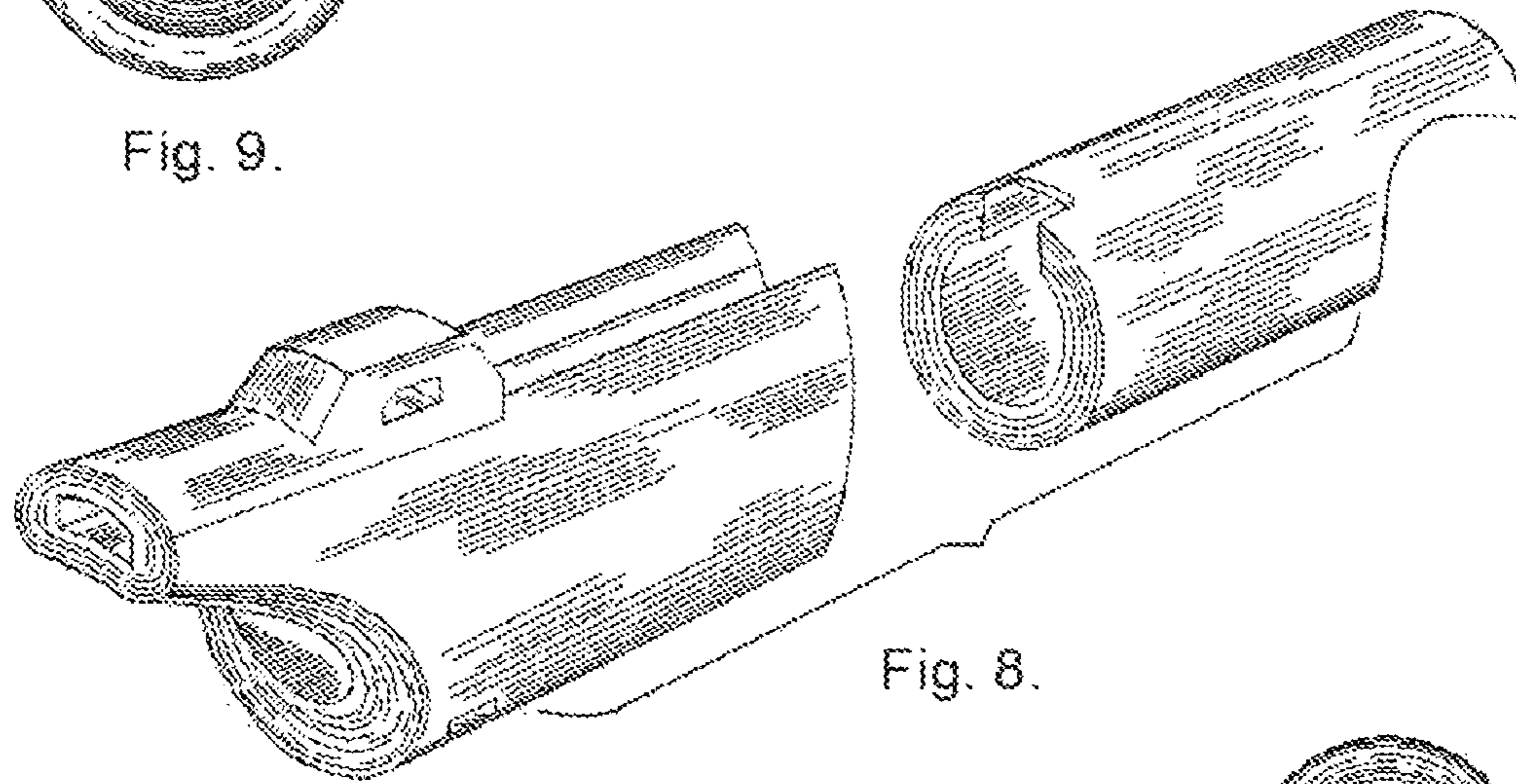


Fig. 8.

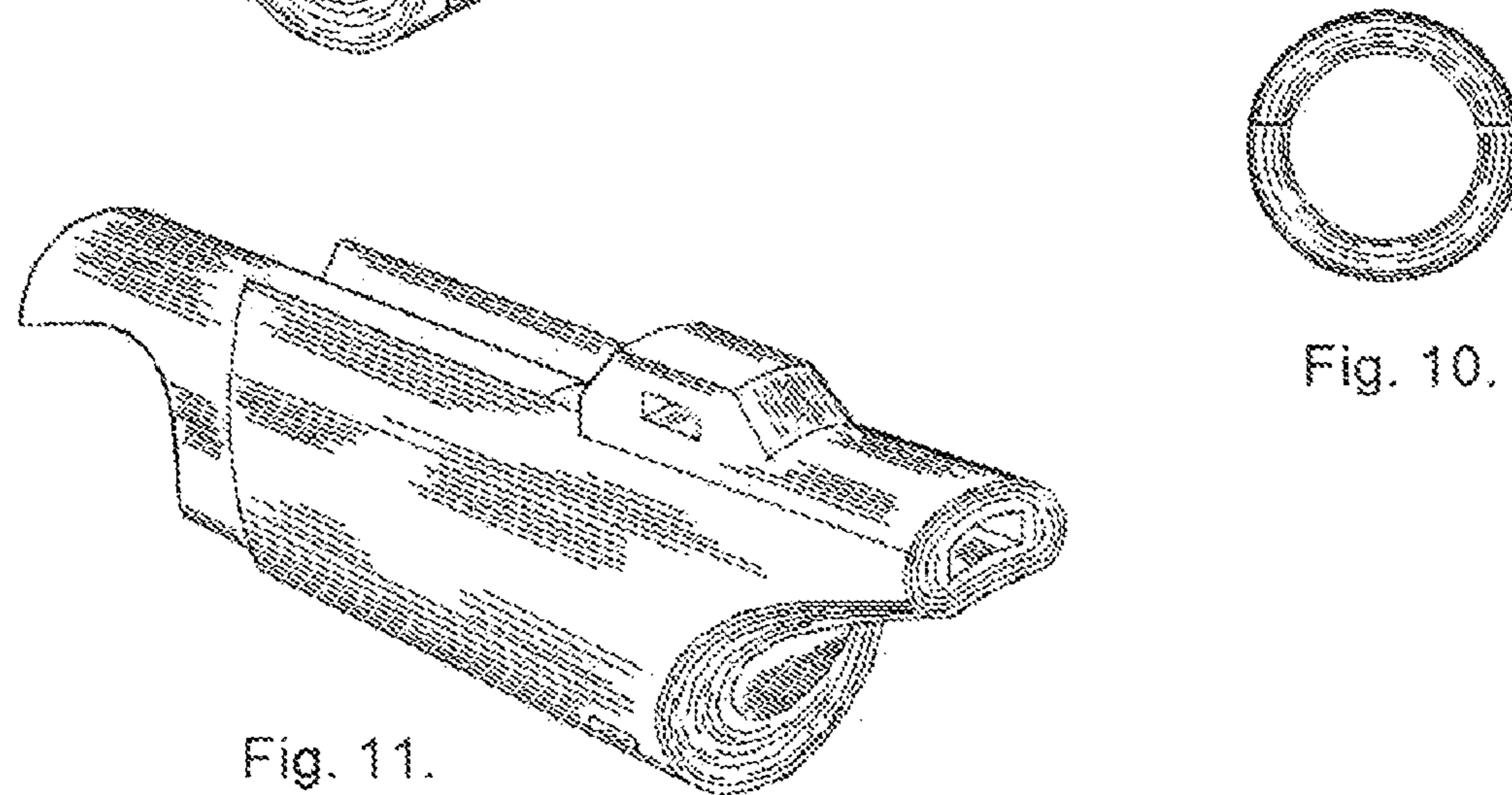


Fig. 10.

Fig. 11.