



US00D679211S

(12) **United States Design Patent**  
**Berning**

(10) **Patent No.:** **US D679,211 S**

(45) **Date of Patent:** **\*\* Apr. 2, 2013**

(54) **VEHICLE PARKING INDICATOR**

(75) Inventor: **Barton J. Berning**, Shawnee, KS (US)

(73) Assignee: **B4 Concepts, LLC**, Shawnee, KS (US)

(\*\*) Term: **14 Years**

(21) Appl. No.: **29/379,440**

(22) Filed: **Nov. 19, 2010**

(51) **LOC (9) Cl.** ..... **10-05**

(52) **U.S. Cl.** ..... **D10/109.1**

(58) **Field of Classification Search** ..... D10/109.1;  
D3/201, 211; 116/28 R  
See application file for complete search history.

(56) **References Cited**

**U.S. PATENT DOCUMENTS**

2,854,942	A	10/1958	Ross	
3,872,820	A *	3/1975	Hess	116/28 R
4,813,758	A	3/1989	Sanders	
4,860,477	A	8/1989	Gooch	
5,297,500	A	3/1994	Wilson	
D375,273	S *	11/1996	Wilson	D10/109.1
D376,554	S	12/1996	Richardson et al.	
5,617,087	A	4/1997	Scott	
D419,096	S *	1/2000	Copenhaver	D10/109.1
D437,245	S *	2/2001	Hurley	D10/109.1
D520,737	S *	5/2006	Gotlieb	D3/211

D565,288	S *	4/2008	Hickman	D3/201
2009/0031943	A1 *	2/2009	Wang	116/28 R
2012/0160151	A1 *	6/2012	Battaglia	116/28 R

\* cited by examiner

*Primary Examiner* — George D Kirschbaum

(74) *Attorney, Agent, or Firm* — Erickson, Kernell, Derusseau & Kleypas, LLC

(57) **CLAIM**

The ornamental design for a vehicle parking indicator, as shown and described.

**DESCRIPTION**

FIG. 1 is an environmental view of a vehicle parking indicator showing my new design;

FIG. 2 is an enlarged partial front view thereof;

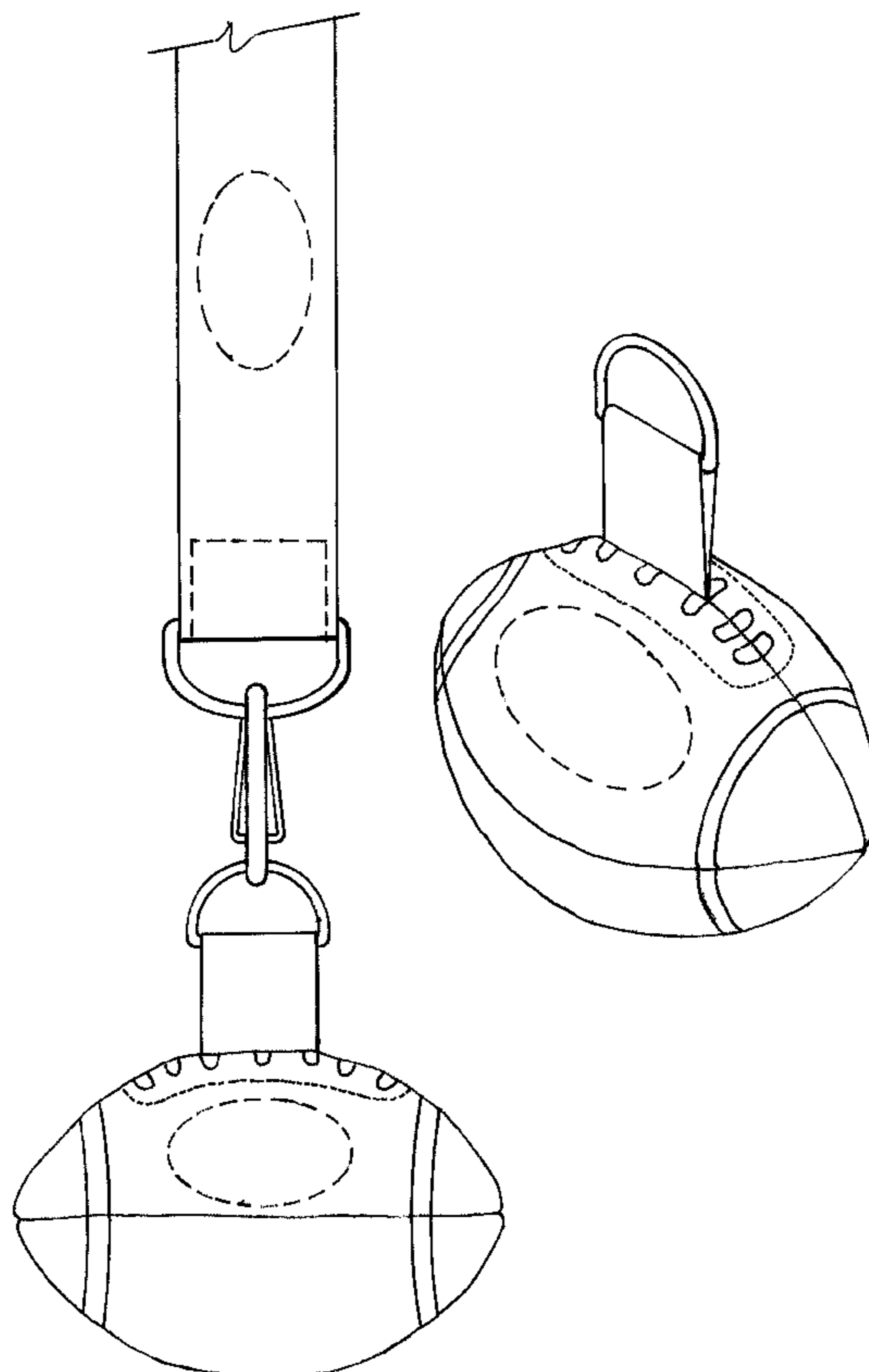
FIG. 3 is a side view, the opposite side being a mirror image thereof;

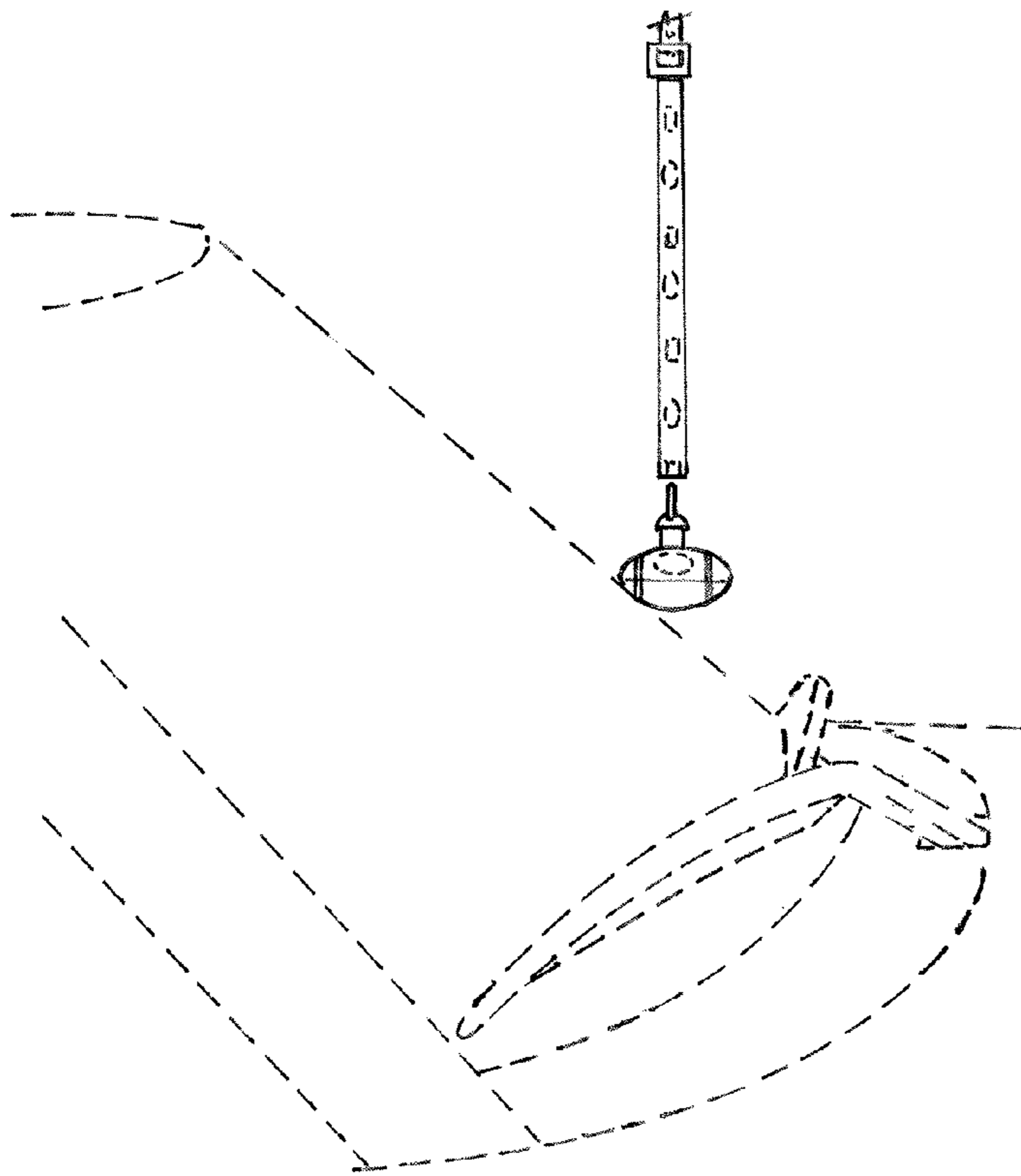
FIG. 4 is a perspective enlarged view of the ball end of the design thereof; and,

FIG. 5 is an enlarged view of the strap part of the design thereof.

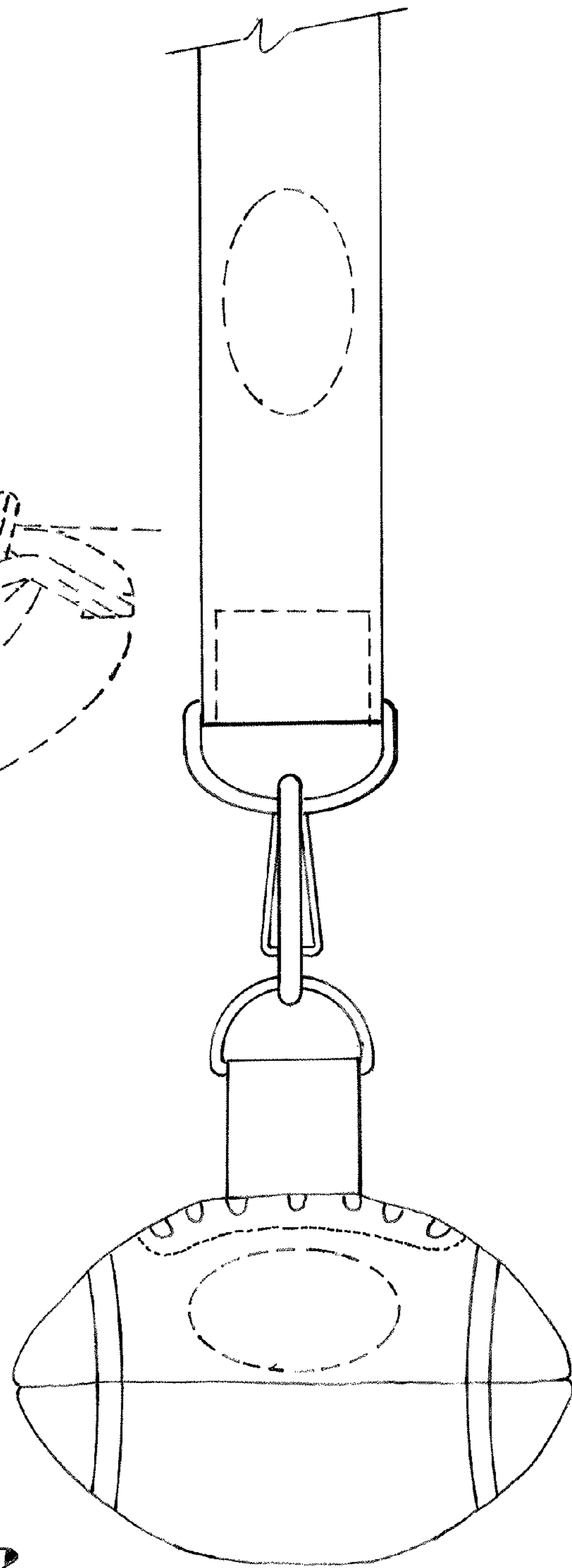
The broken line showing of a car in FIG. 1 and geometric shapes in all figures is included for the purpose of illustrating portions of the “article” and forms no part of the claimed design.

**1 Claim, 2 Drawing Sheets**

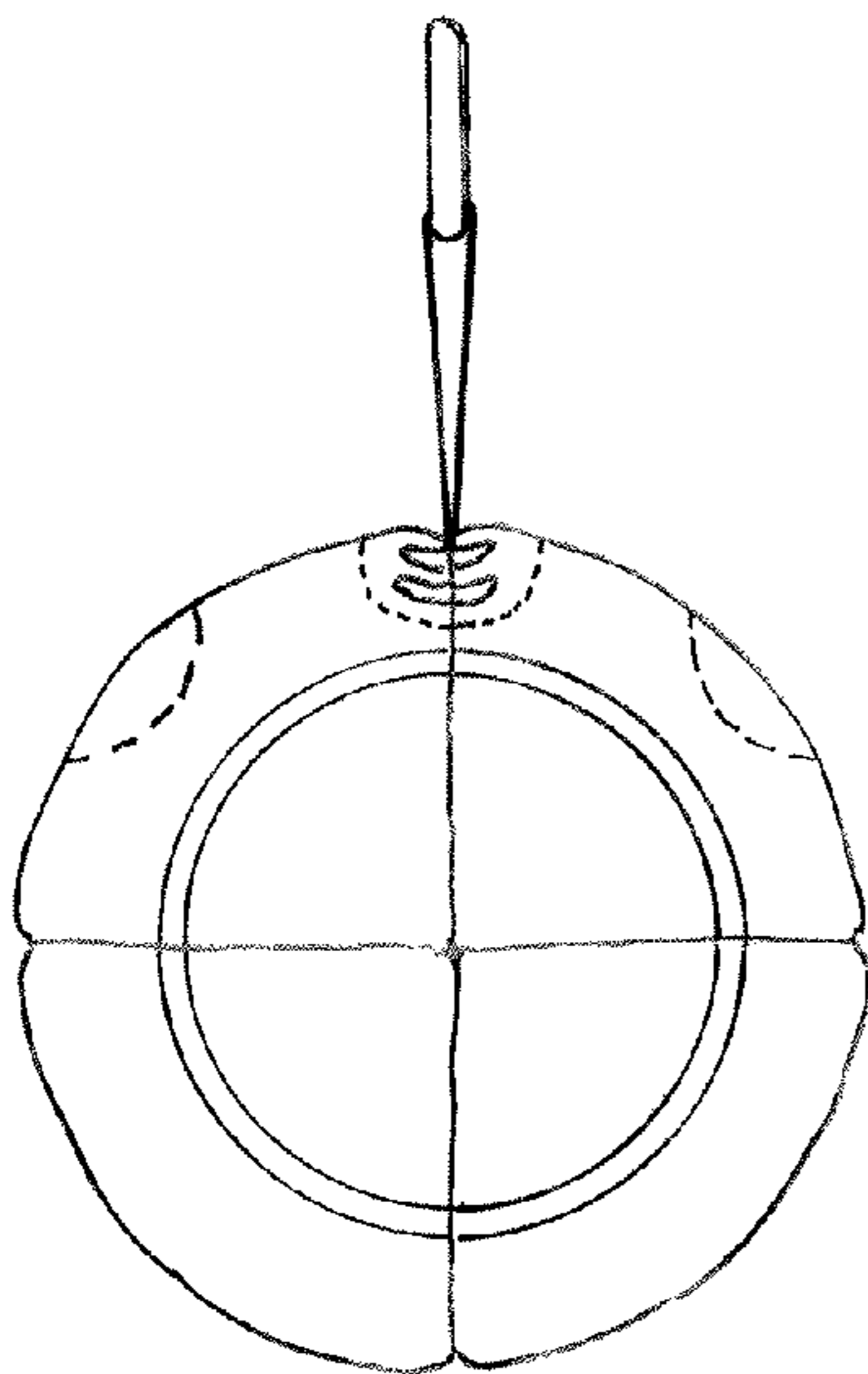




*Fig. 1*

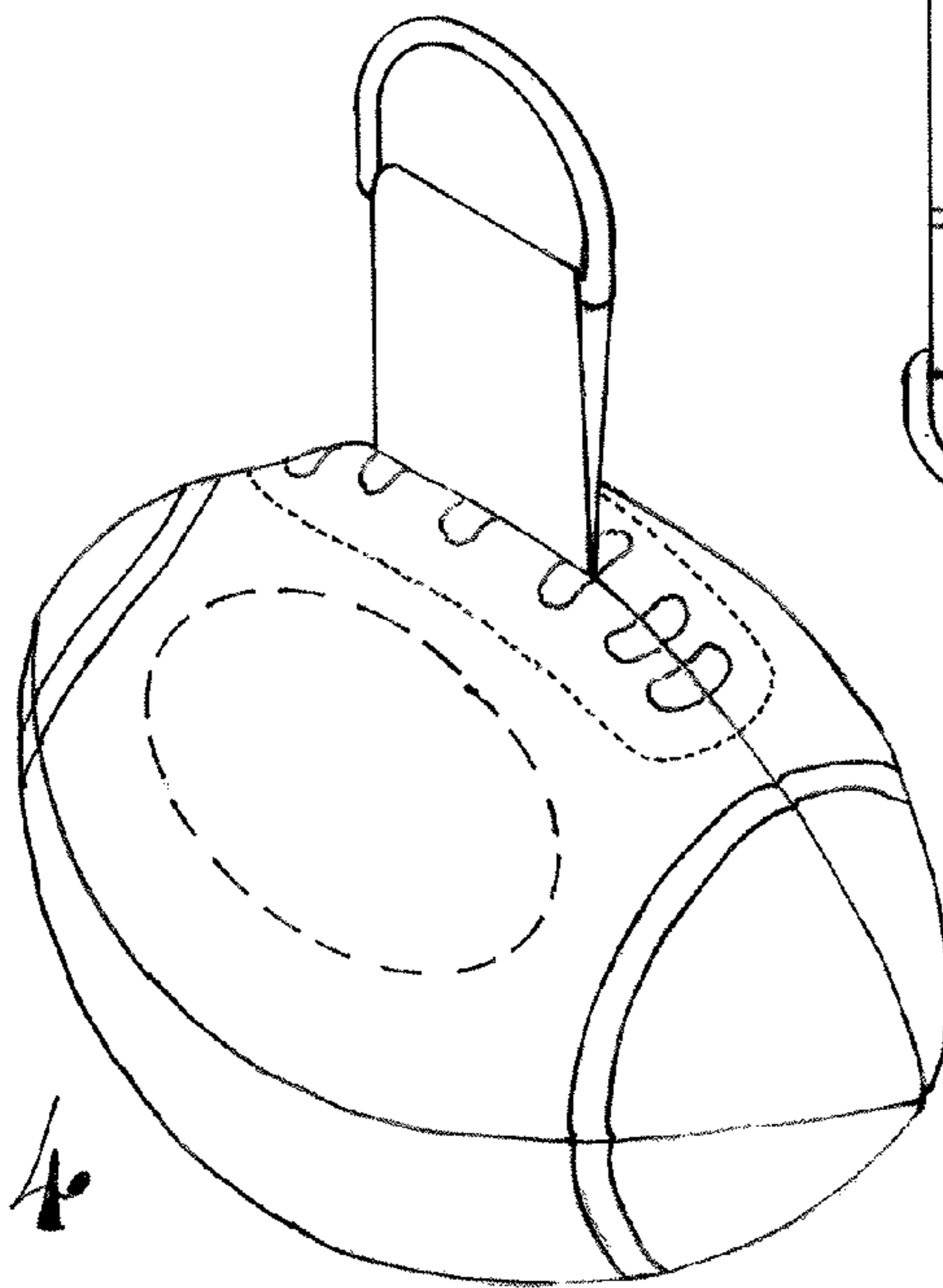
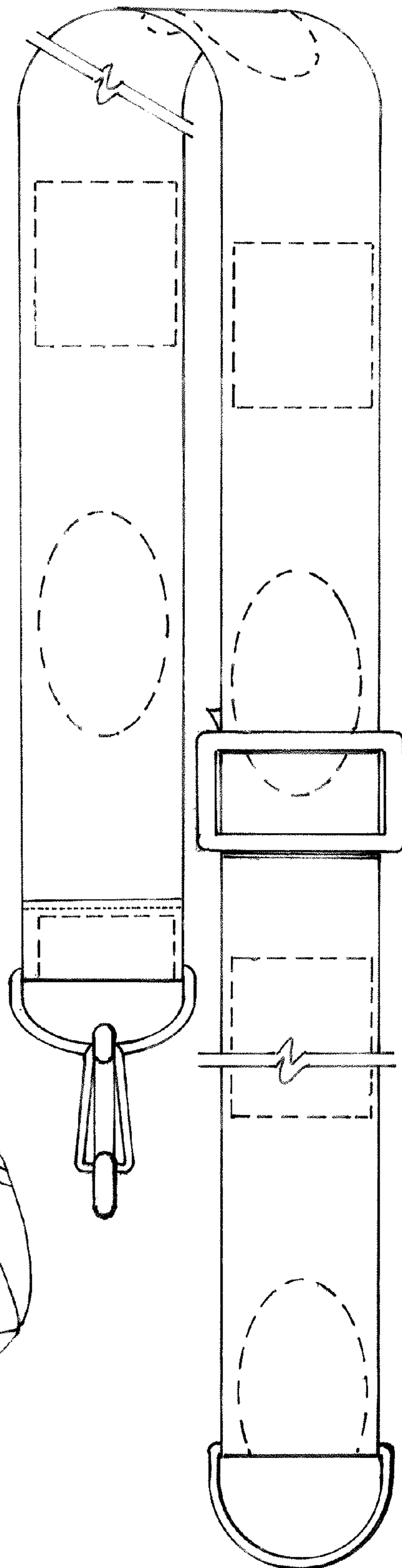


*Fig. 2*



*Fig. 3*

*Fig. 5*



*Fig. 4*