



US00D679205S

(12) **United States Design Patent**  
**Eyring et al.**

(10) **Patent No.:** **US D679,205 S**  
(45) **Date of Patent:** **\*\* Apr. 2, 2013**

(54) **THERMOSTAT**

(75) Inventors: **Stuart Eyring**, Bountiful, UT (US);  
**Karl L. Connolly**, Brigham City, UT (US);  
**Landon T. Gwilliam**, Salt Lake City, UT (US)

(73) Assignee: **Orbit Irrigation Products, Inc.**, North Salt Lake, UT (US)

(\*\*) Term: **14 Years**

(21) Appl. No.: **29/426,890**

(22) Filed: **Jul. 11, 2012**

(51) **LOC (9) Cl.** ..... **10-04**

(52) **U.S. Cl.** ..... **D10/50**

(58) **Field of Classification Search** ..... D10/49-50;  
D13/162; 55/270, 274, 279, DIG. 7, 34;  
62/176.6, 125-130, 78, 180, 186; 73/23.2,  
73/23.34, 31.01, 31.02, 431, 170.16-170.19,  
73/170.21-170.25, 863.12, 29, 29.02, 335.01-335.14;  
236/46 R, 47, 94, 44 C, 44 R, 49.3, 44 A,  
236/96; 337/112, 327, 360; 340/602, 627,  
340/632, 634; 361/346; 364/141, 146, 147,  
364/188, 420, 557; 454/229, 239, 256, 257,  
454/258; 700/18, 159, 181, 278

See application file for complete search history.

(56) **References Cited**

**U.S. PATENT DOCUMENTS**

D648,642 S \* 11/2011 Wallaert et al. .... D10/50

**OTHER PUBLICATIONS**

The products shown in Attachment A hereto were sold or offered for sale on or before Jul. 10, 2011.

\* cited by examiner

*Primary Examiner* — Antoine D Davis

(74) *Attorney, Agent, or Firm* — Austin Rapp & Hardman

(57) **CLAIM**

The ornamental design for a thermostat, as shown and described.

**DESCRIPTION**

FIG. 1 is an elevated perspective view of one embodiment of a thermostat, according to our new design;

FIG. 2 is a front view of the thermostat shown in FIG. 1;  
FIG. 3 is a first side view of the thermostat shown in FIG. 1;  
FIG. 4 is a second side view of the thermostat shown in FIG. 1;  
FIG. 5 is a top view of the thermostat shown in FIG. 1;  
FIG. 6 is a bottom view of the thermostat shown in FIG. 1;  
FIG. 7 is an elevated perspective view of another embodiment of a thermostat, according to our new design;  
FIG. 8 is a front view of the thermostat shown in FIG. 7;  
FIG. 9 is a first side view of the thermostat shown in FIG. 7;  
FIG. 10 is a second side view of the thermostat shown in FIG. 7;  
FIG. 11 is a top view of the thermostat shown in FIG. 7;  
FIG. 12 is a bottom view of the thermostat shown in FIG. 7;  
FIG. 13 is an elevated perspective view of another embodiment of a thermostat, according to our new design;  
FIG. 14 is a front view of the thermostat shown in FIG. 13;  
FIG. 15 is a first side view of the thermostat shown in FIG. 13;  
FIG. 16 is a second side view of the thermostat shown in FIG. 13;  
FIG. 17 is a top view of the thermostat shown in FIG. 13;  
FIG. 18 is a bottom view of the thermostat shown in FIG. 13;  
FIG. 19 is an elevated perspective view of another embodiment of a thermostat, according to our new design;  
FIG. 20 is a front view of the thermostat shown in FIG. 19;  
FIG. 21 is a first side view of the thermostat shown in FIG. 19;  
FIG. 22 is a second side view of the thermostat shown in FIG. 19;  
FIG. 23 is a top view of the thermostat shown in FIG. 19;  
FIG. 24 is a bottom view of the thermostat shown in FIG. 19;  
FIG. 25 is an elevated perspective view of another embodiment of a thermostat, according to our new design;  
FIG. 26 is a front view of the thermostat shown in FIG. 25;  
FIG. 27 is a first side view of the thermostat shown in FIG. 25;  
FIG. 28 is a second side view of the thermostat shown in FIG. 25;  
FIG. 29 is a top view of the thermostat shown in FIG. 25;  
FIG. 30 is a bottom view of the thermostat shown in FIG. 25;  
FIG. 31 is an elevated perspective view of another embodiment of a thermostat, according to our new design;  
FIG. 32 is a front view of the thermostat shown in FIG. 31;  
FIG. 33 is a first side view of the thermostat shown in FIG. 31;  
FIG. 34 is a second side view of the thermostat shown in FIG. 31;

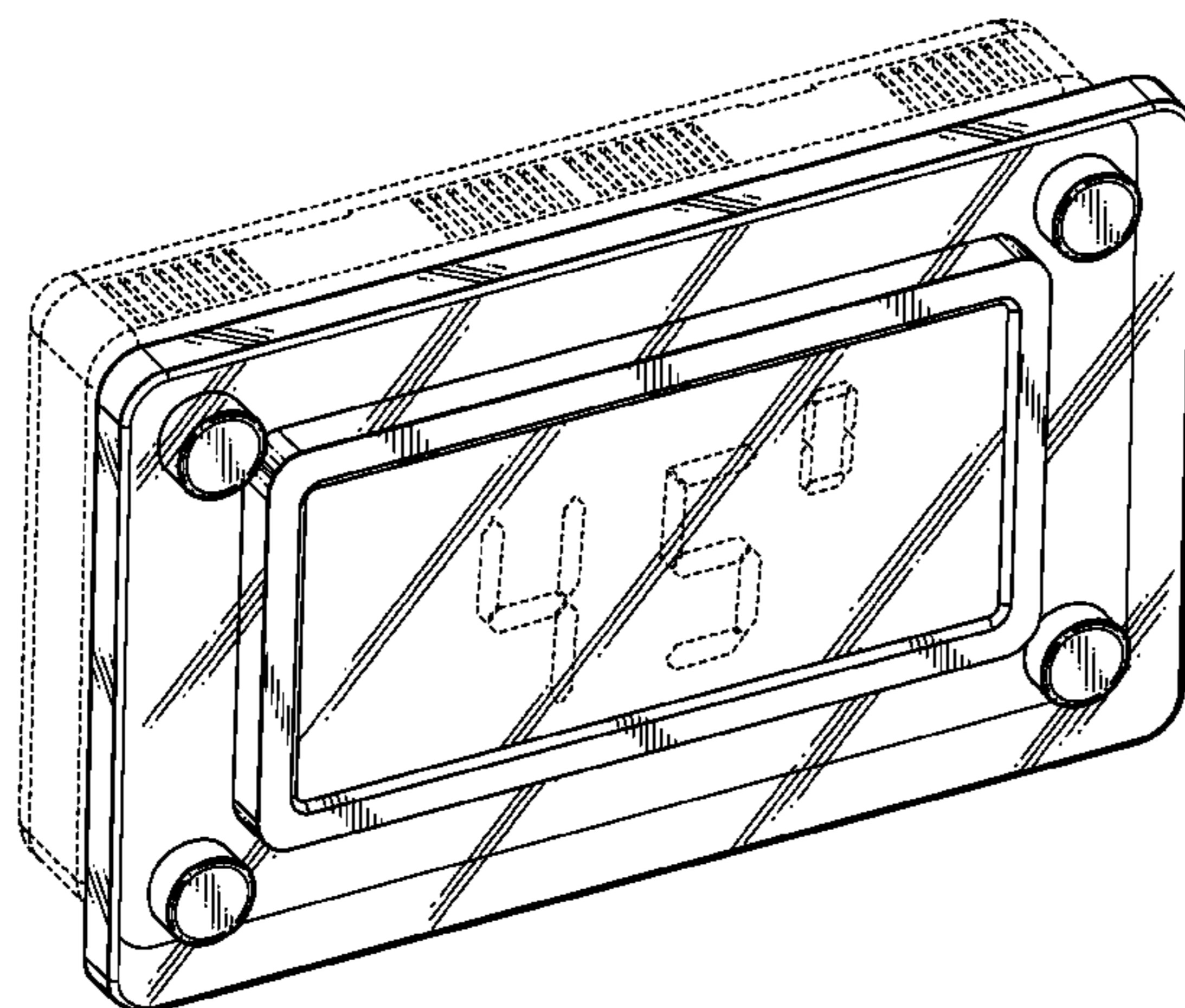
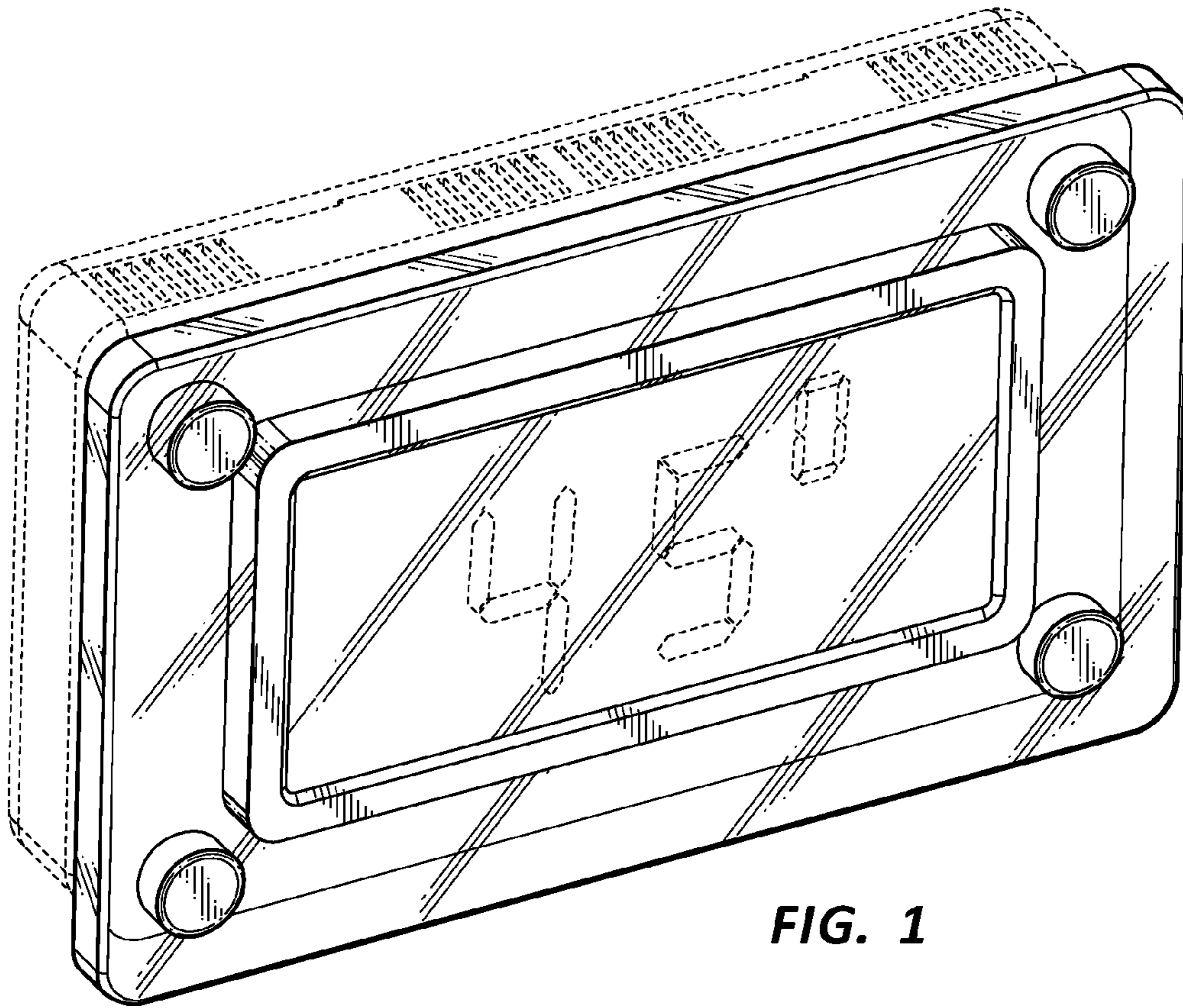


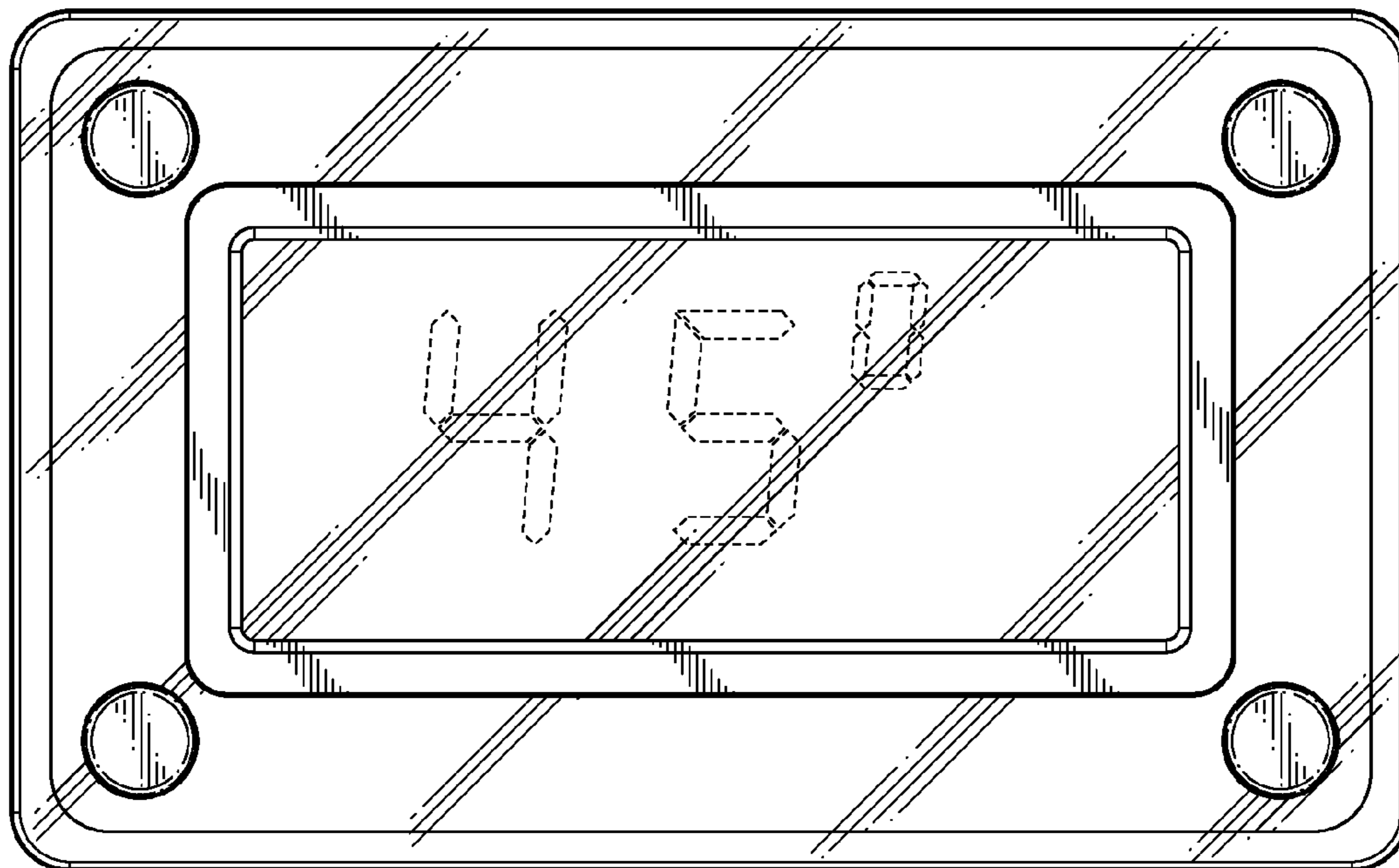
FIG. 35 is a top view of the thermostat shown in FIG. 31;  
FIG. 36 is a bottom view of the thermostat shown in FIG. 31;  
FIG. 37 is an elevated perspective view of another embodiment of a thermostat, according to our new design;  
FIG. 38 is a front view of the thermostat shown in FIG. 37;  
FIG. 39 is a first side view of the thermostat shown in FIG. 37;  
FIG. 40 is a second side view of the thermostat shown in FIG. 37;

FIG. 41 is a top view of the thermostat shown in FIG. 37; and,  
FIG. 42 is a bottom view of the thermostat shown in FIG. 37.  
The portions shown in broken lines comprise environmental structure only and form no part of the claimed design.

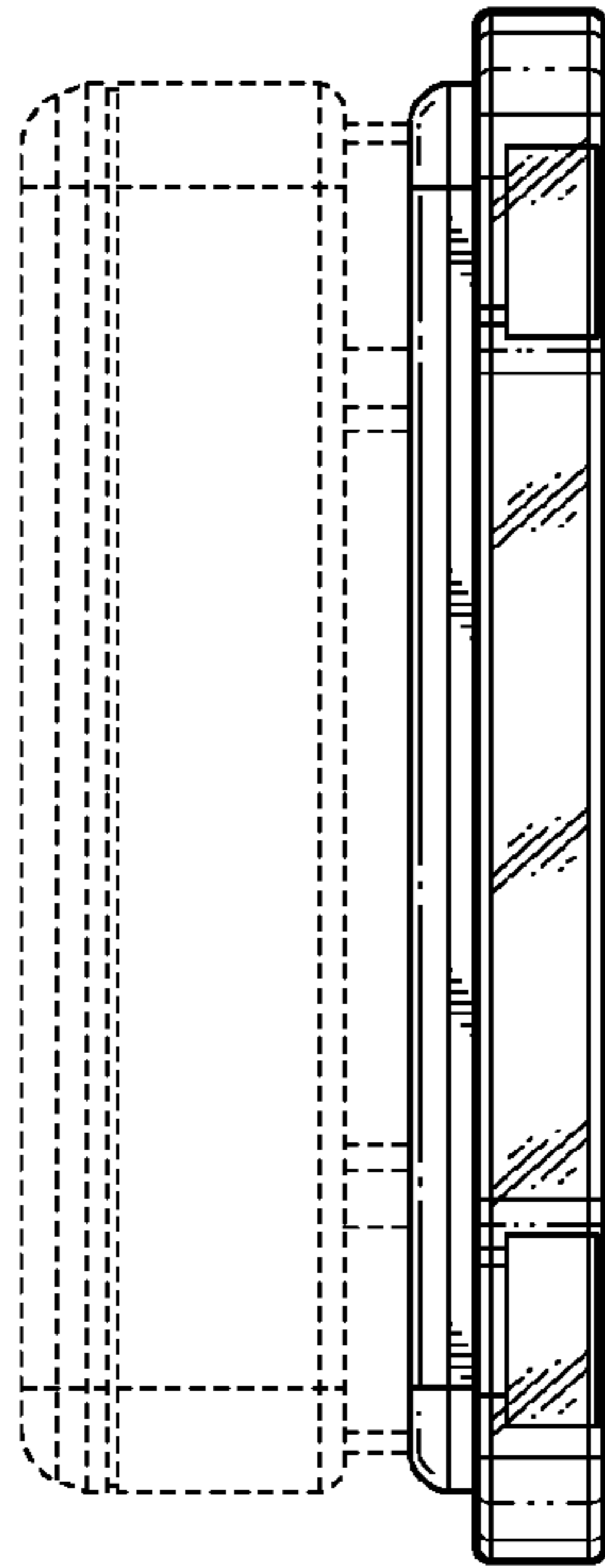
**1 Claim, 14 Drawing Sheets**



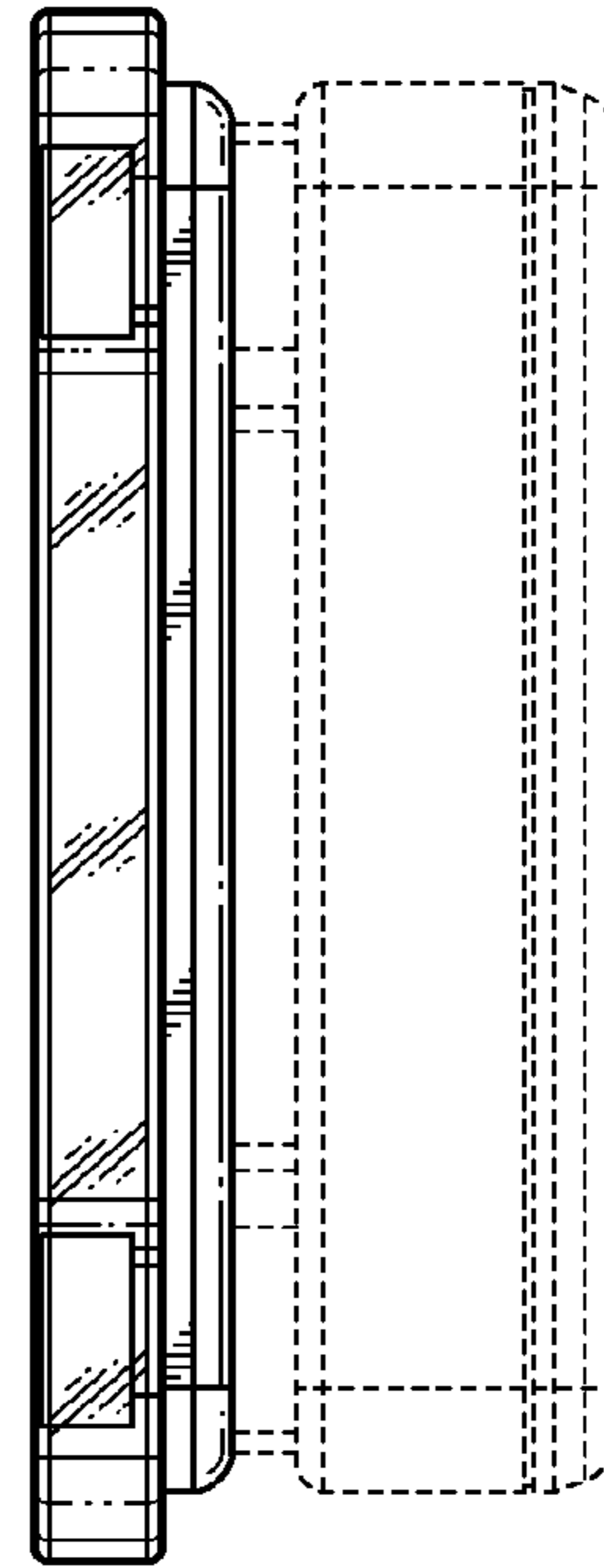
**FIG. 1**



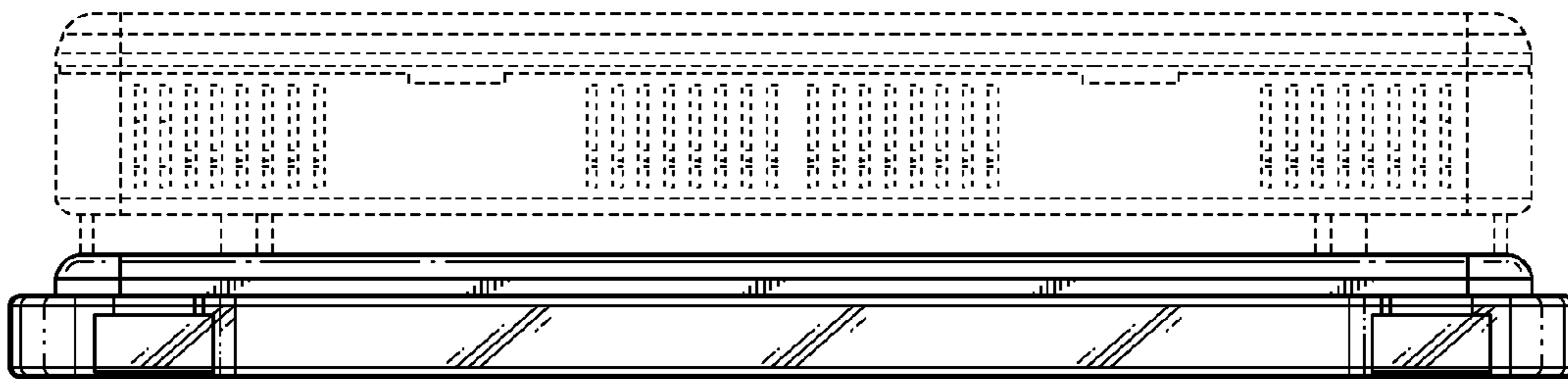
**FIG. 2**



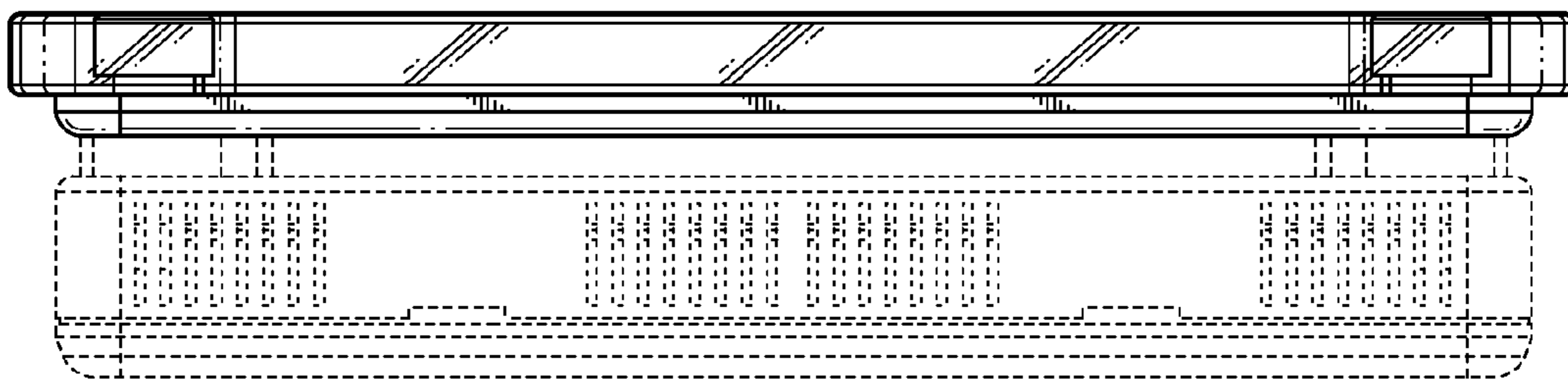
**FIG. 3**



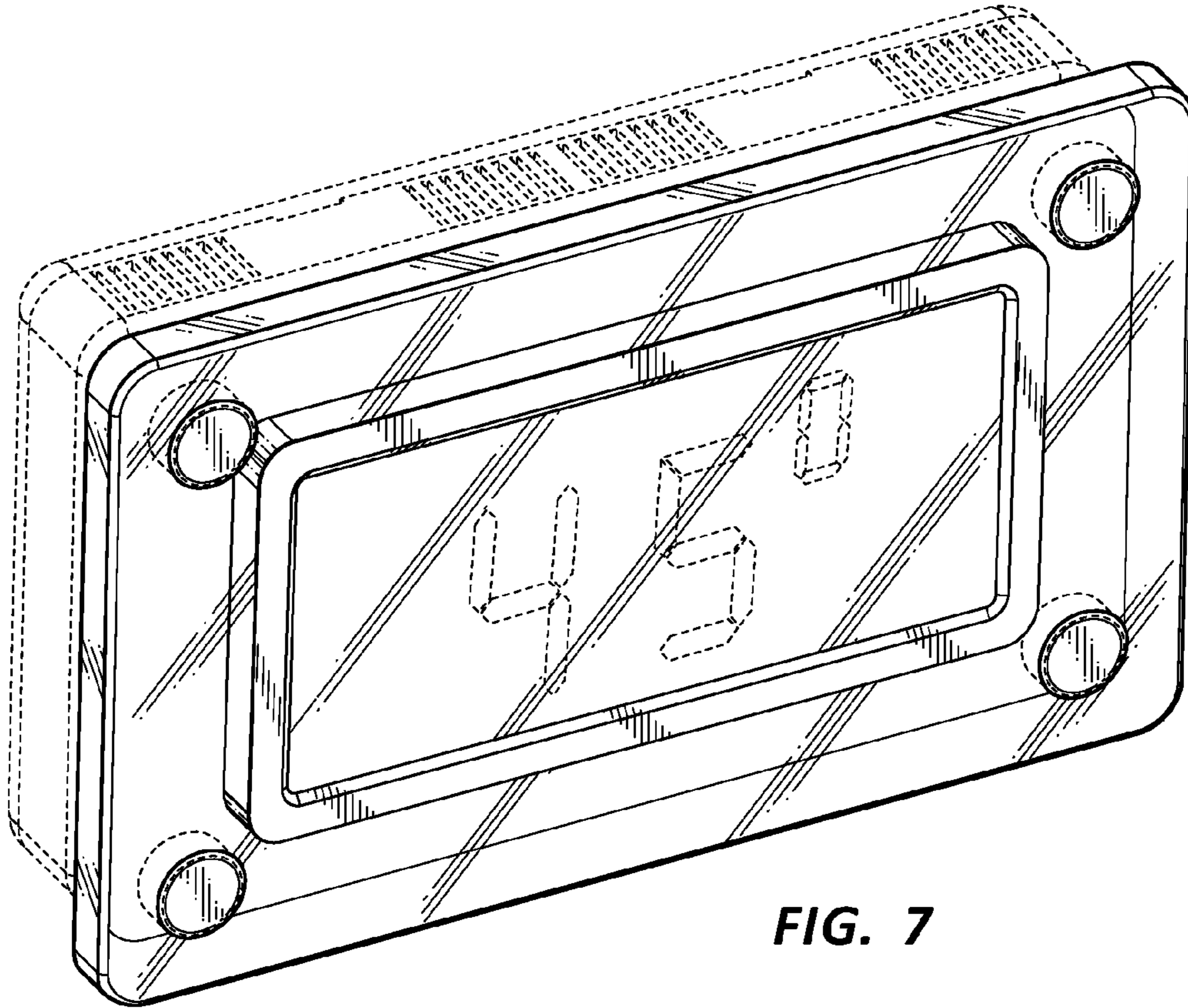
**FIG. 4**



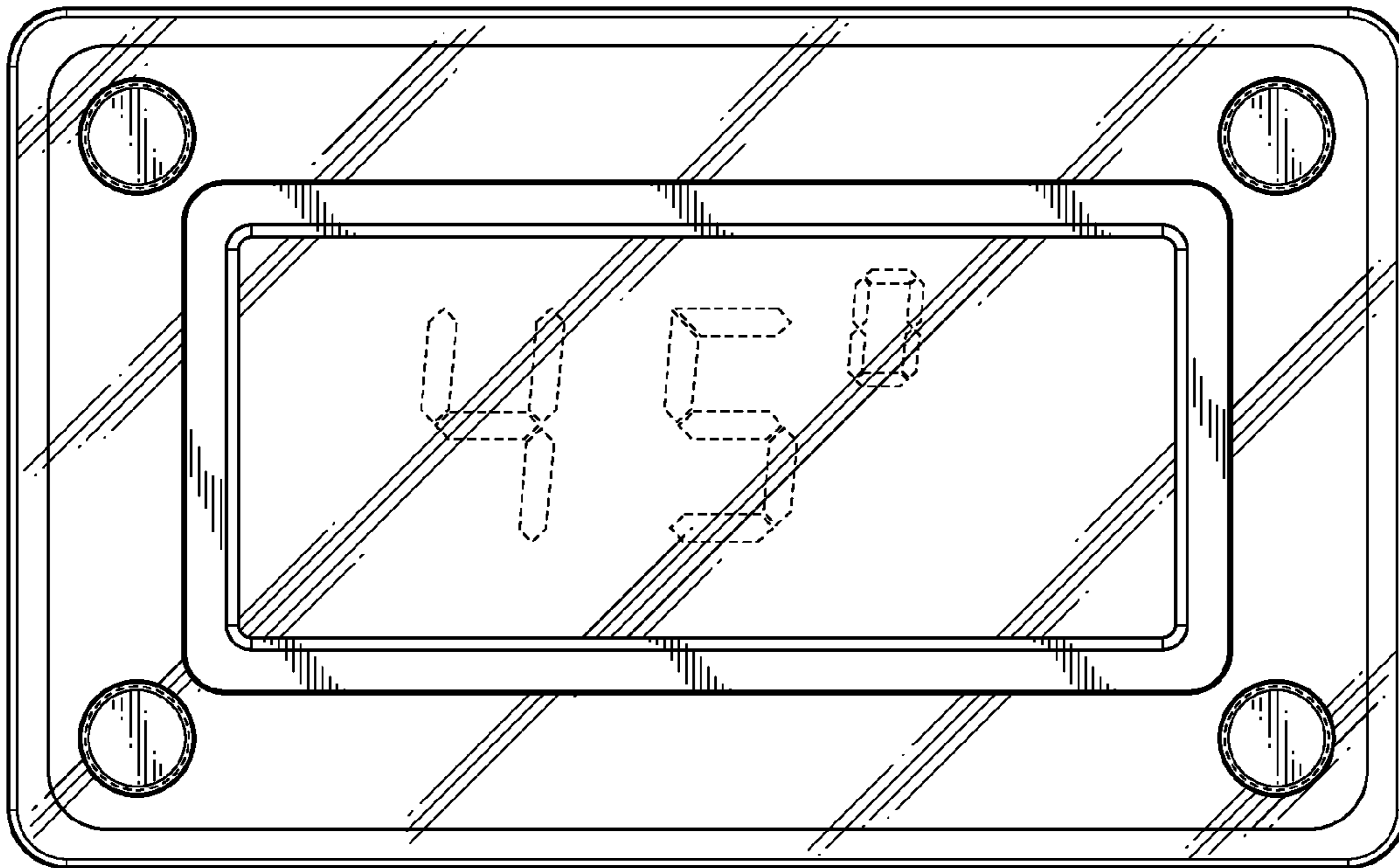
**FIG. 5**



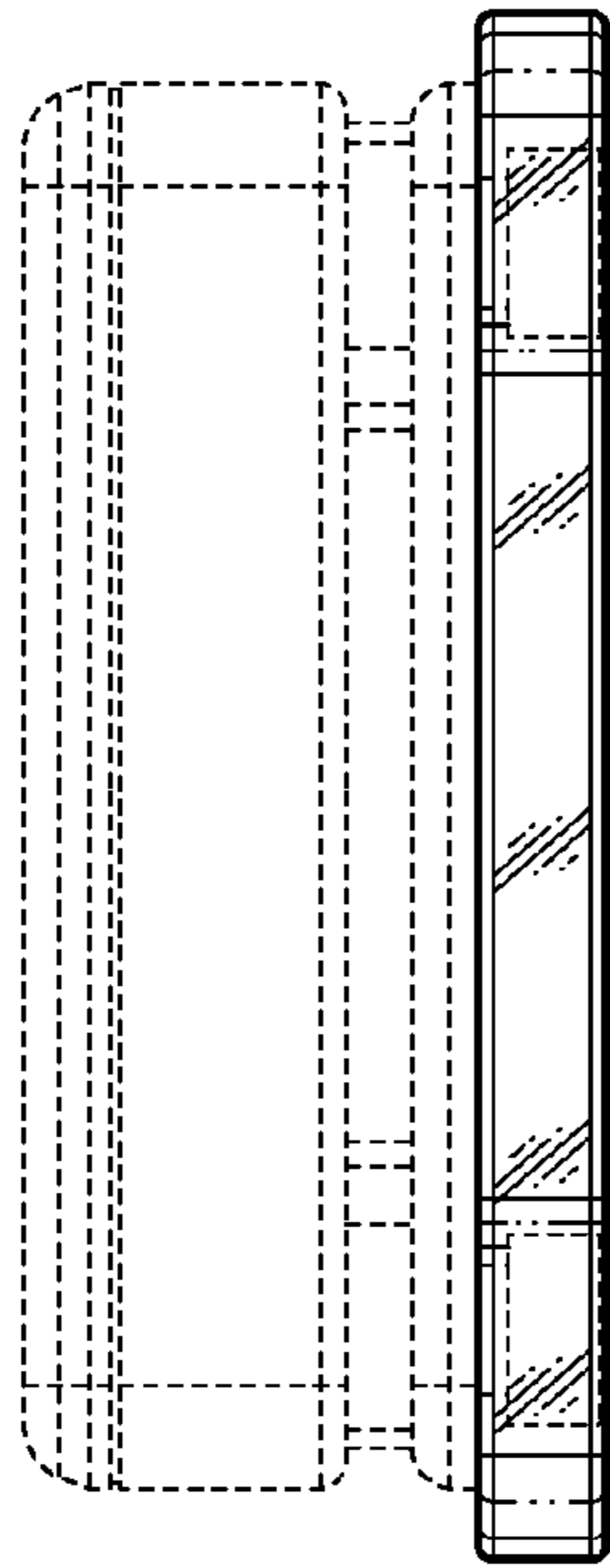
**FIG. 6**



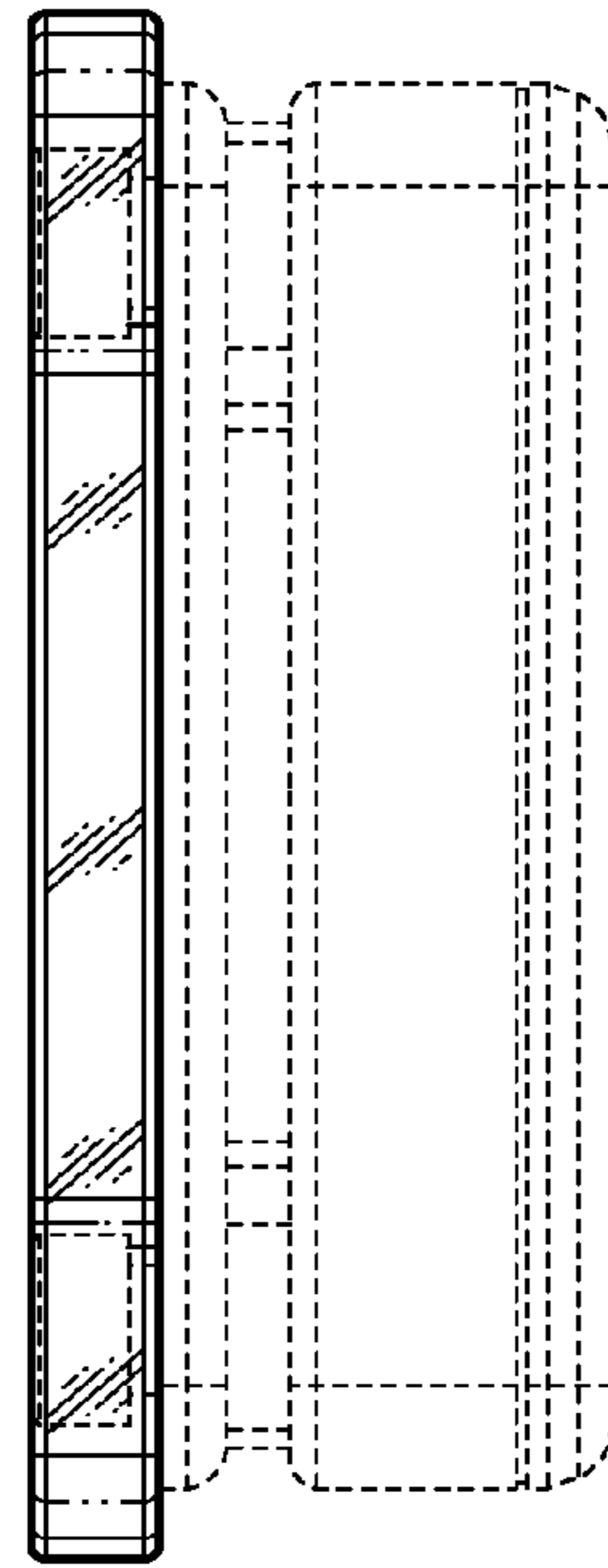
**FIG. 7**



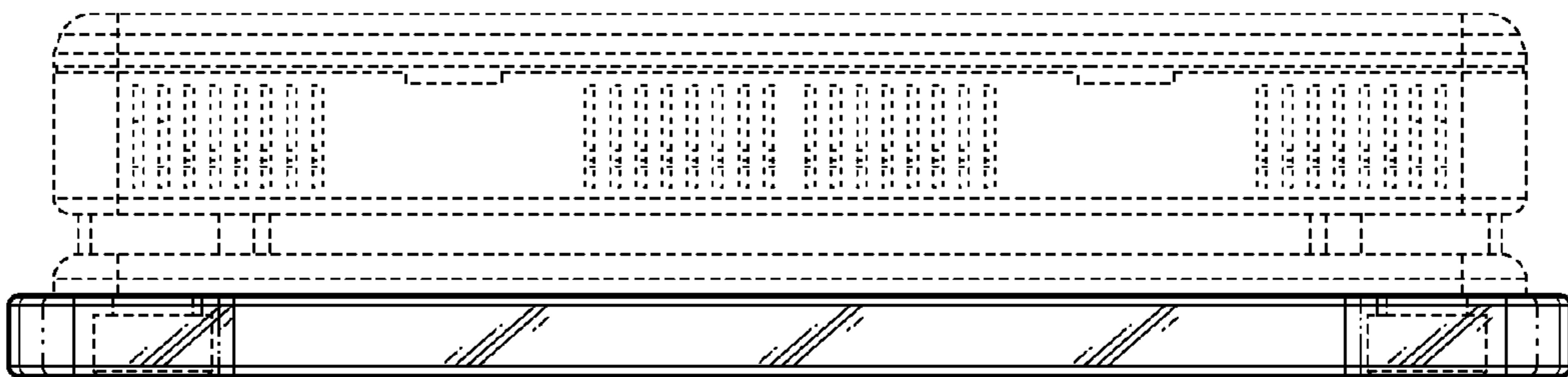
**FIG. 8**



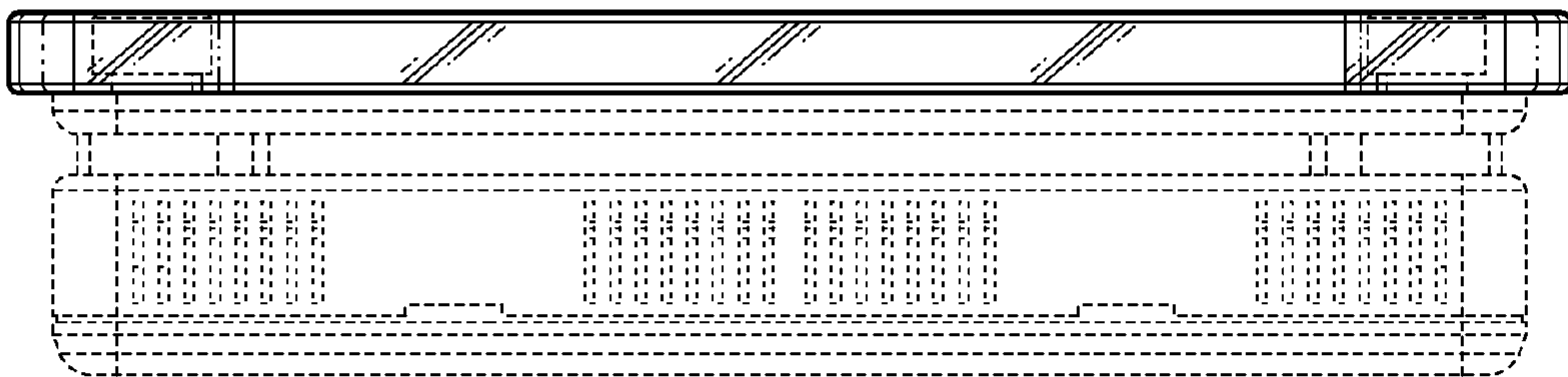
**FIG. 9**



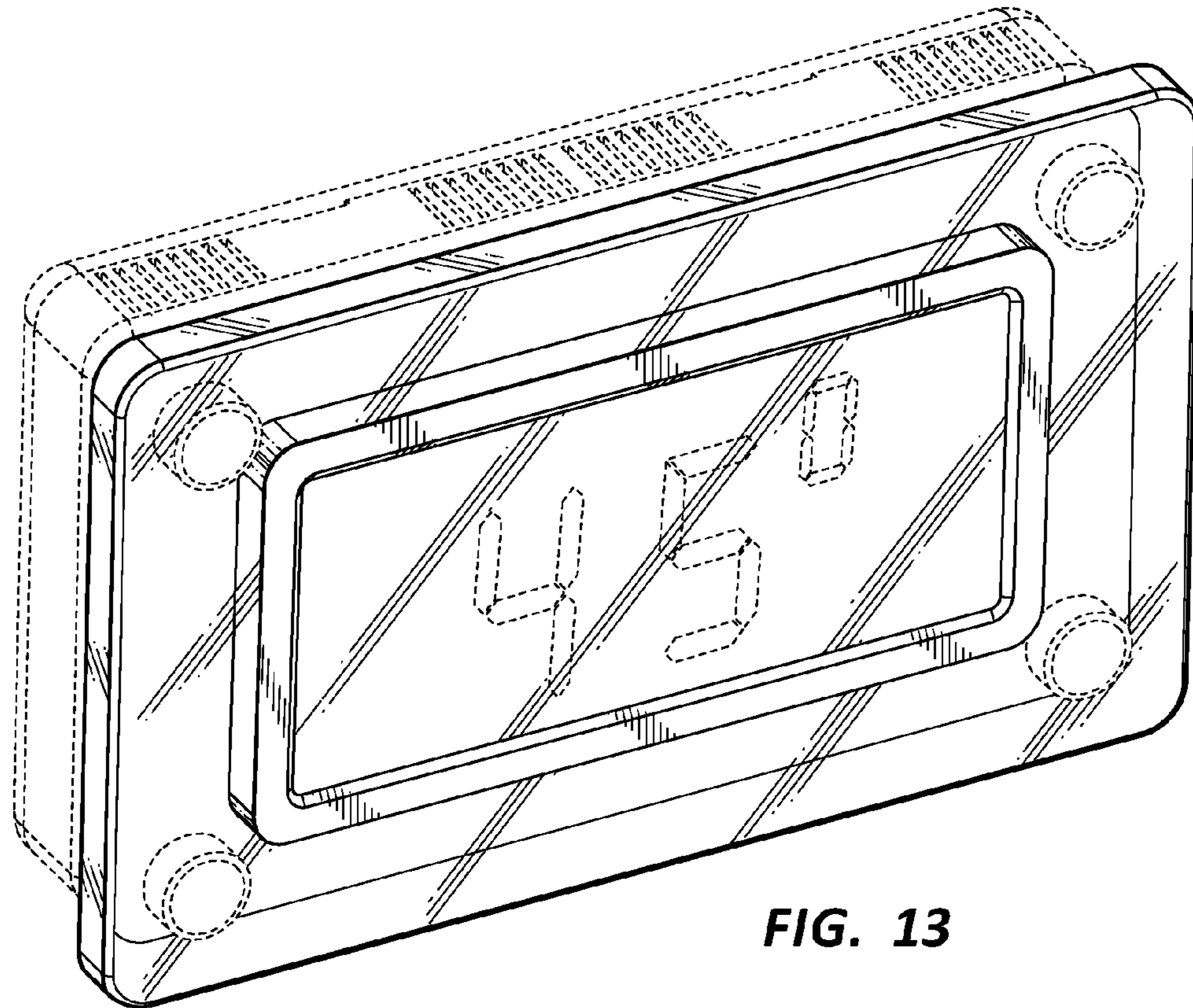
**FIG. 10**



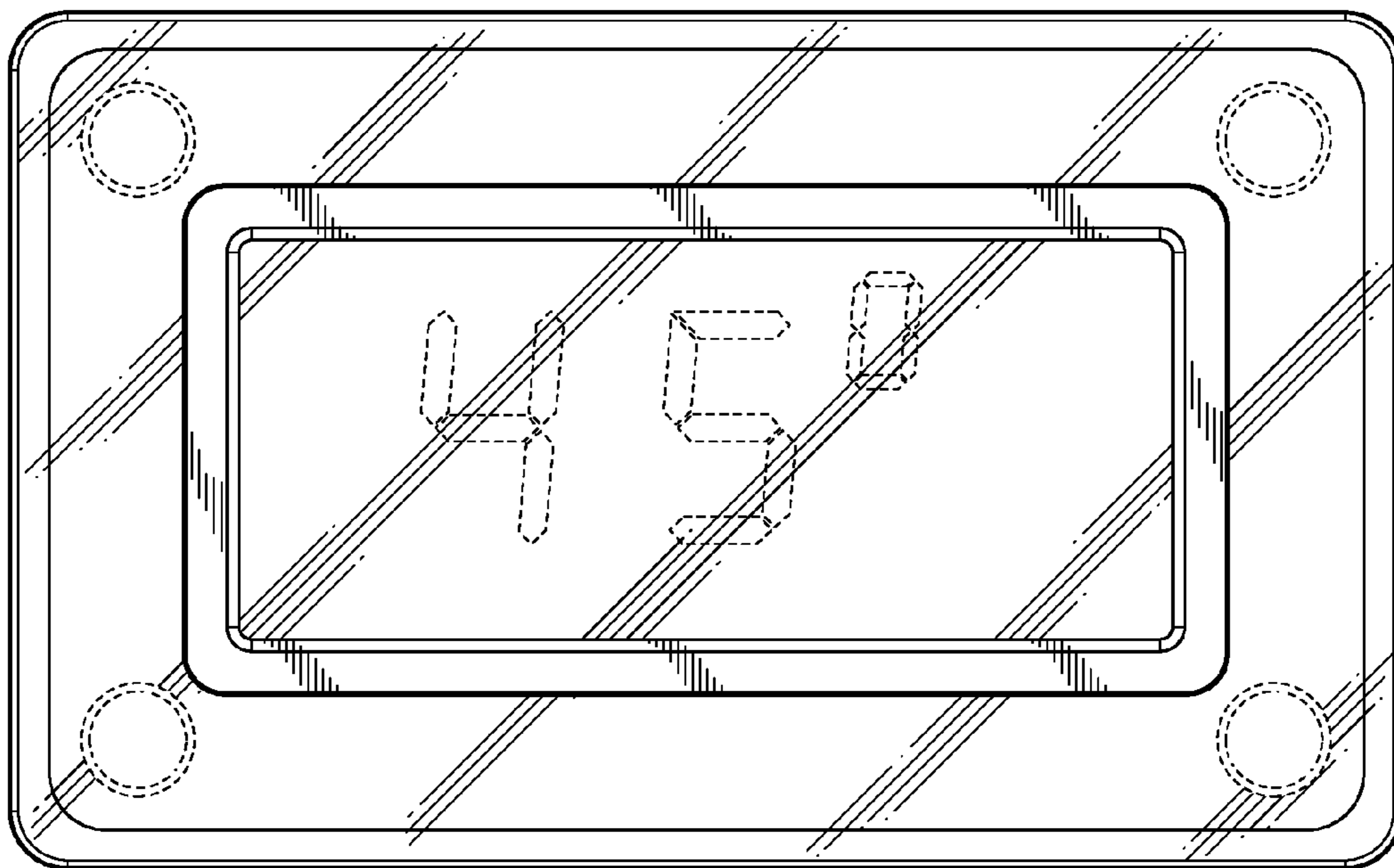
**FIG. 11**



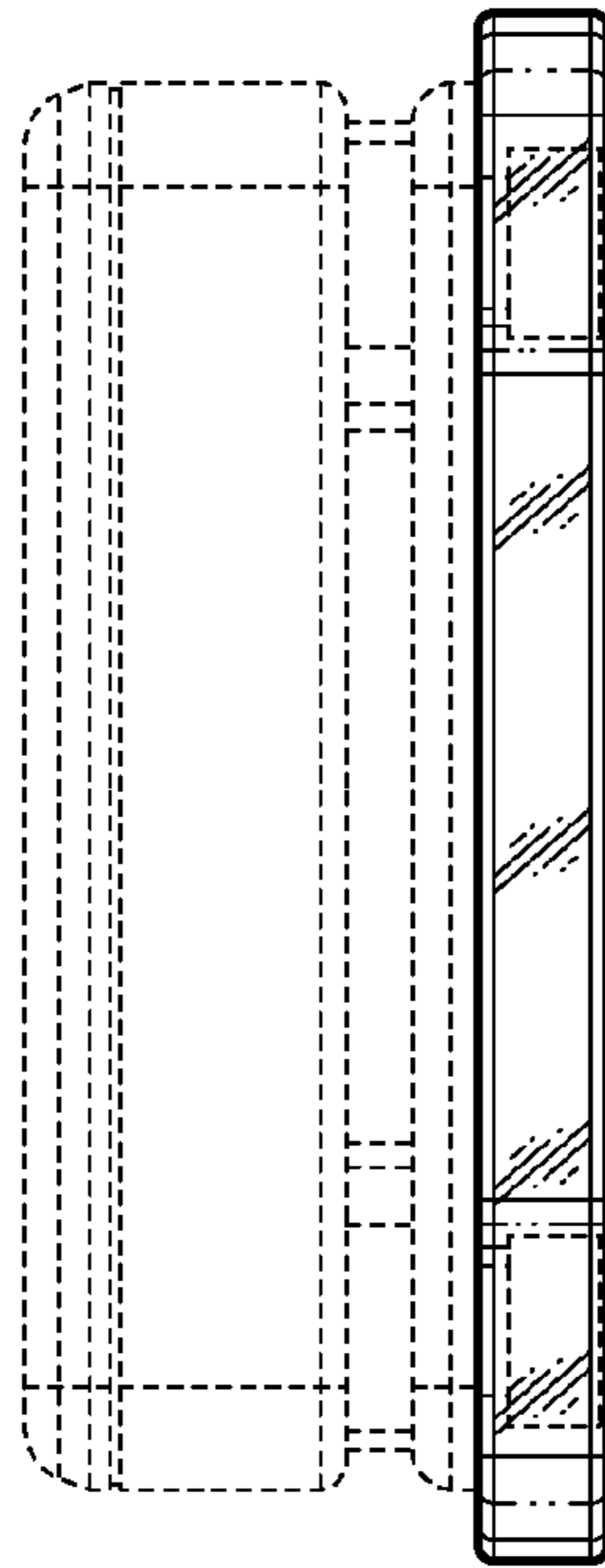
**FIG. 12**



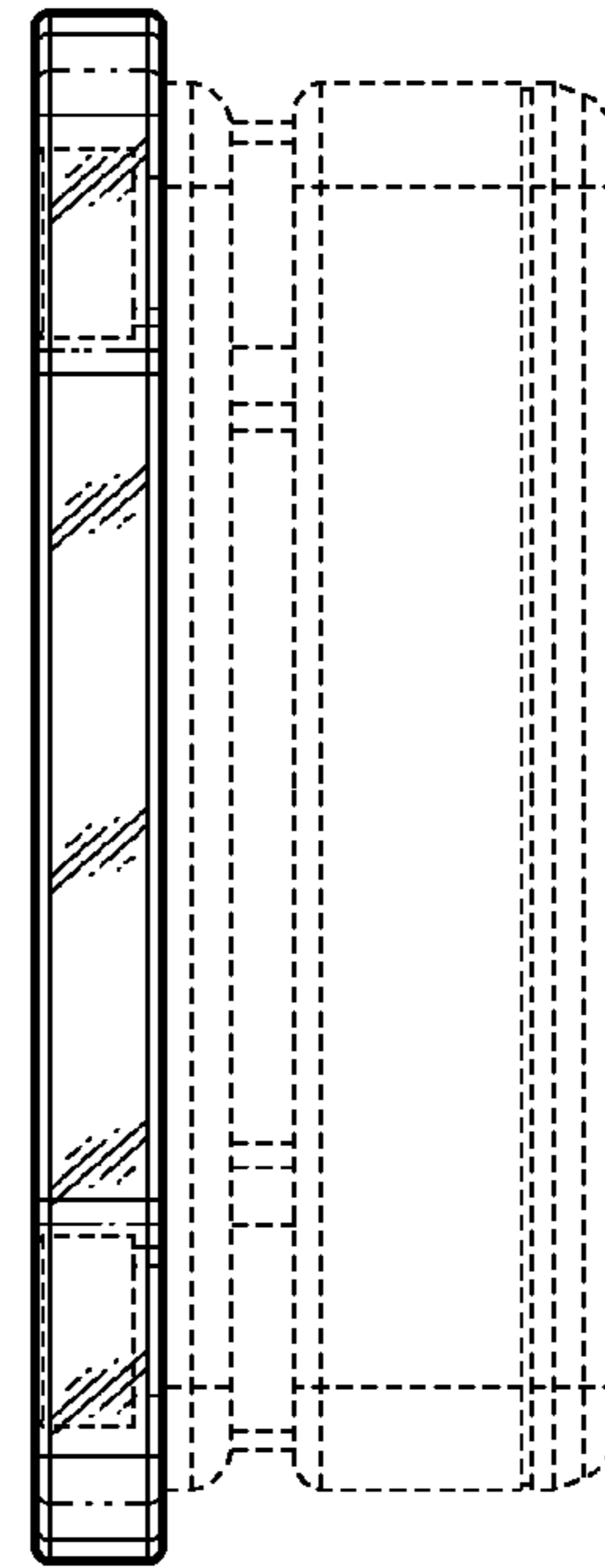
**FIG. 13**



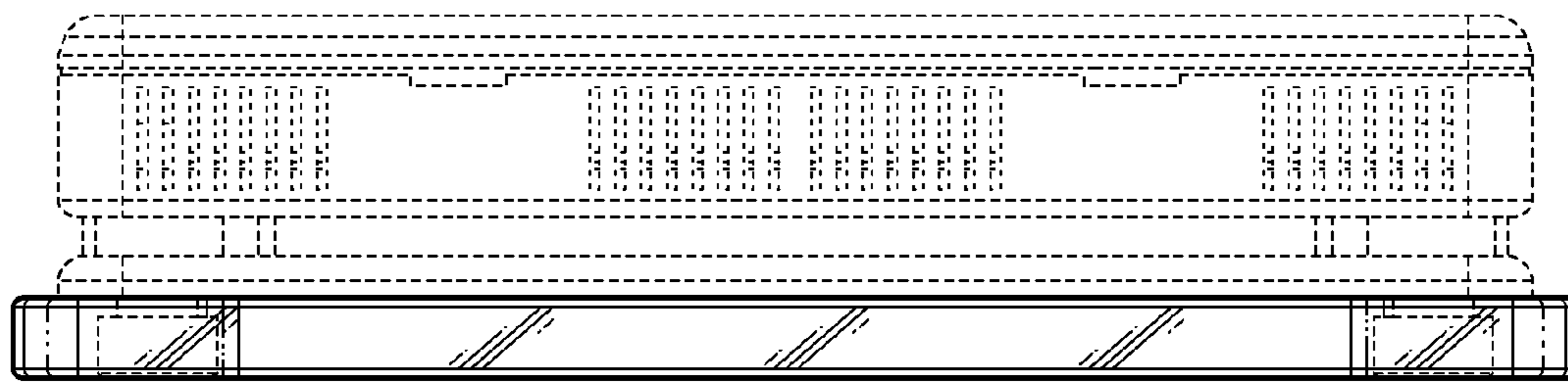
**FIG. 14**



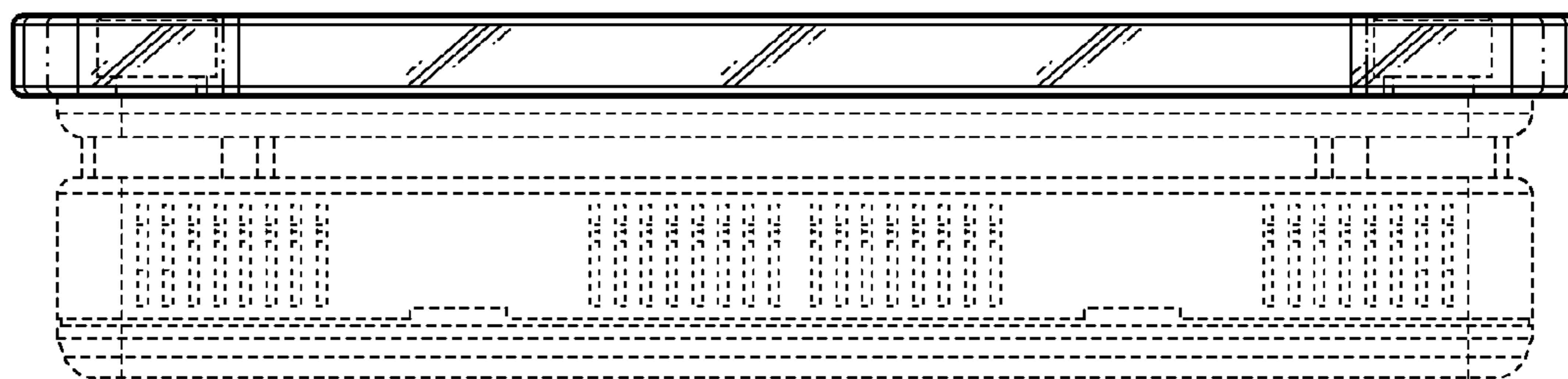
**FIG. 15**



**FIG. 16**

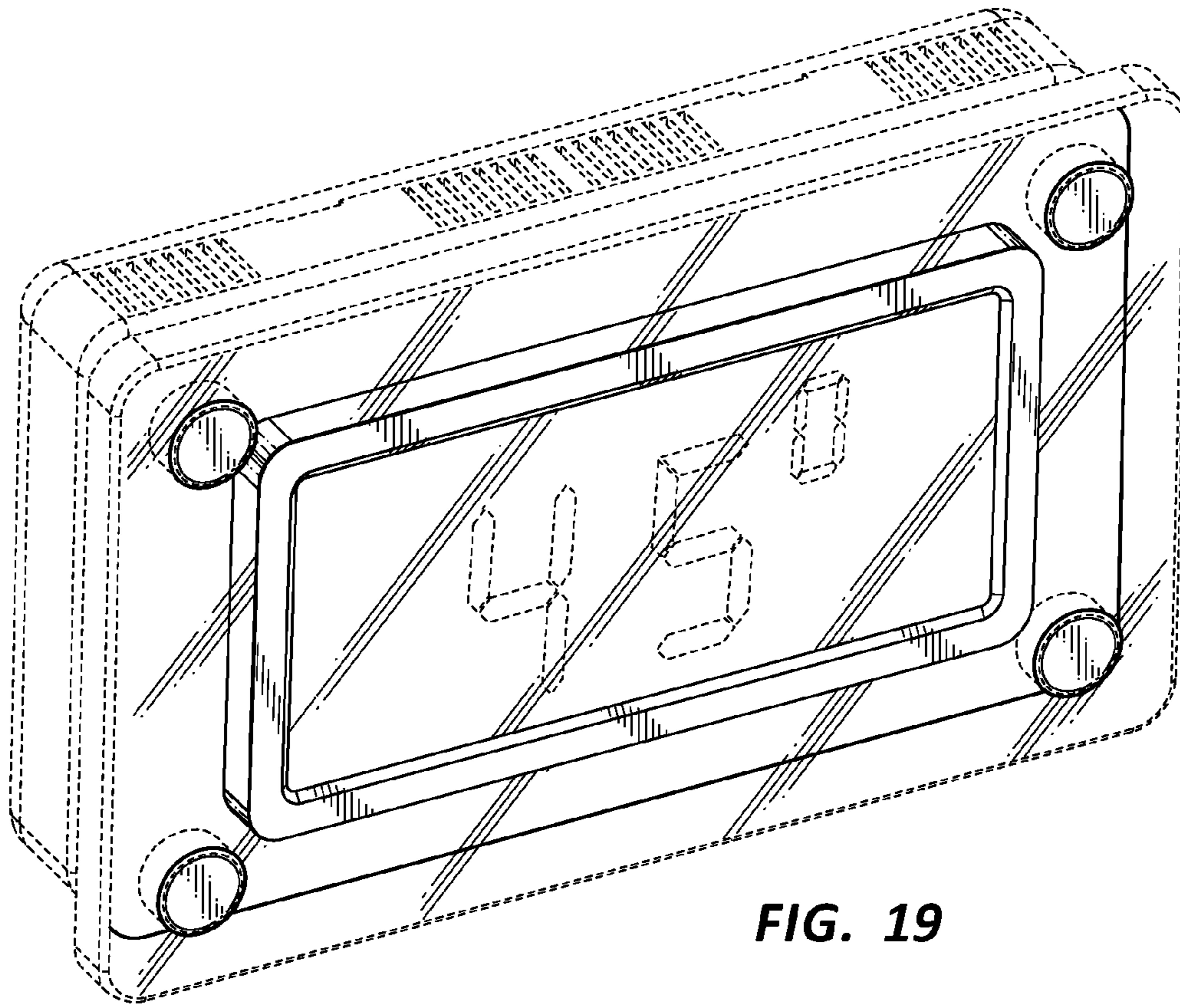


**FIG. 17**

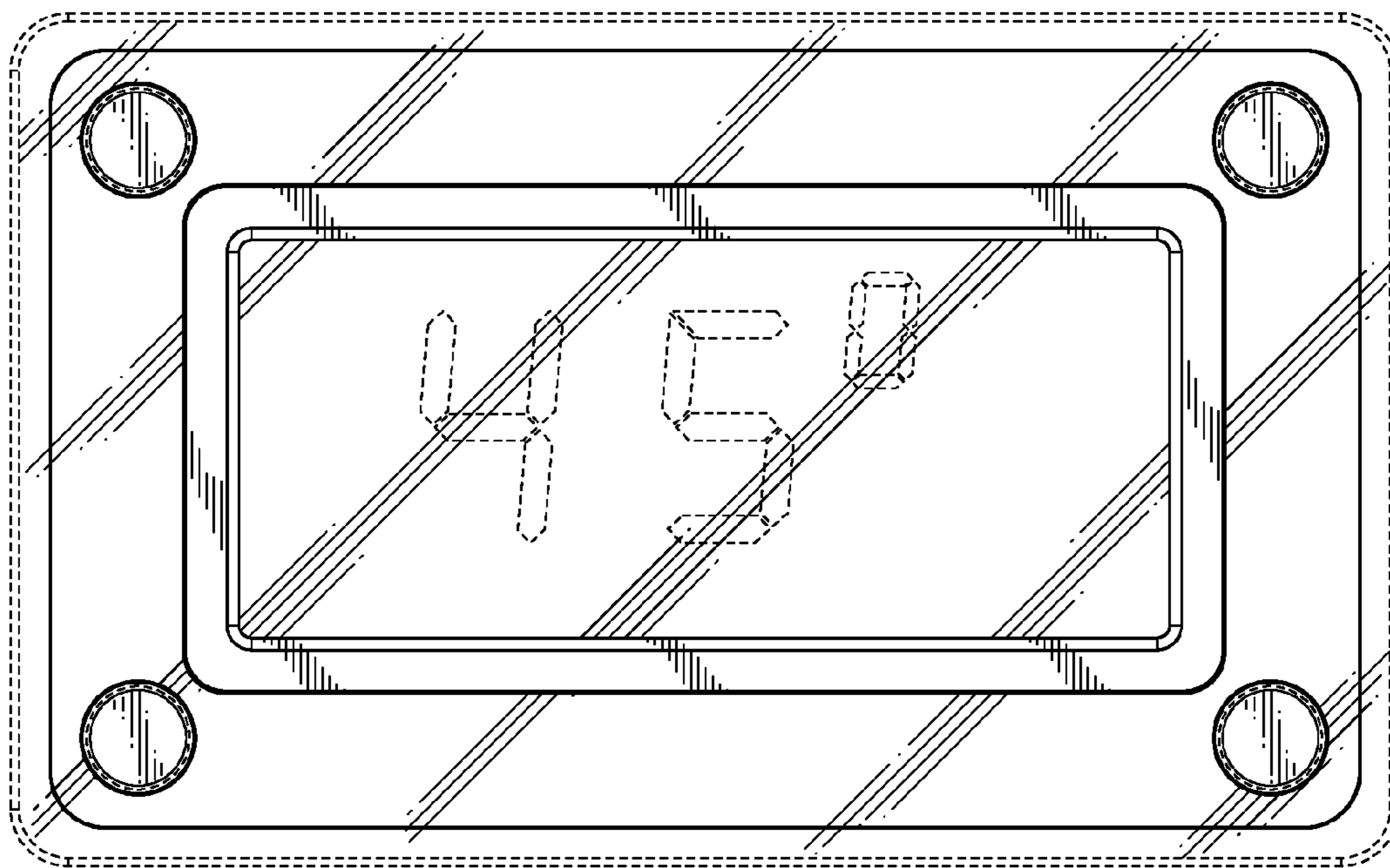


**FIG. 18**

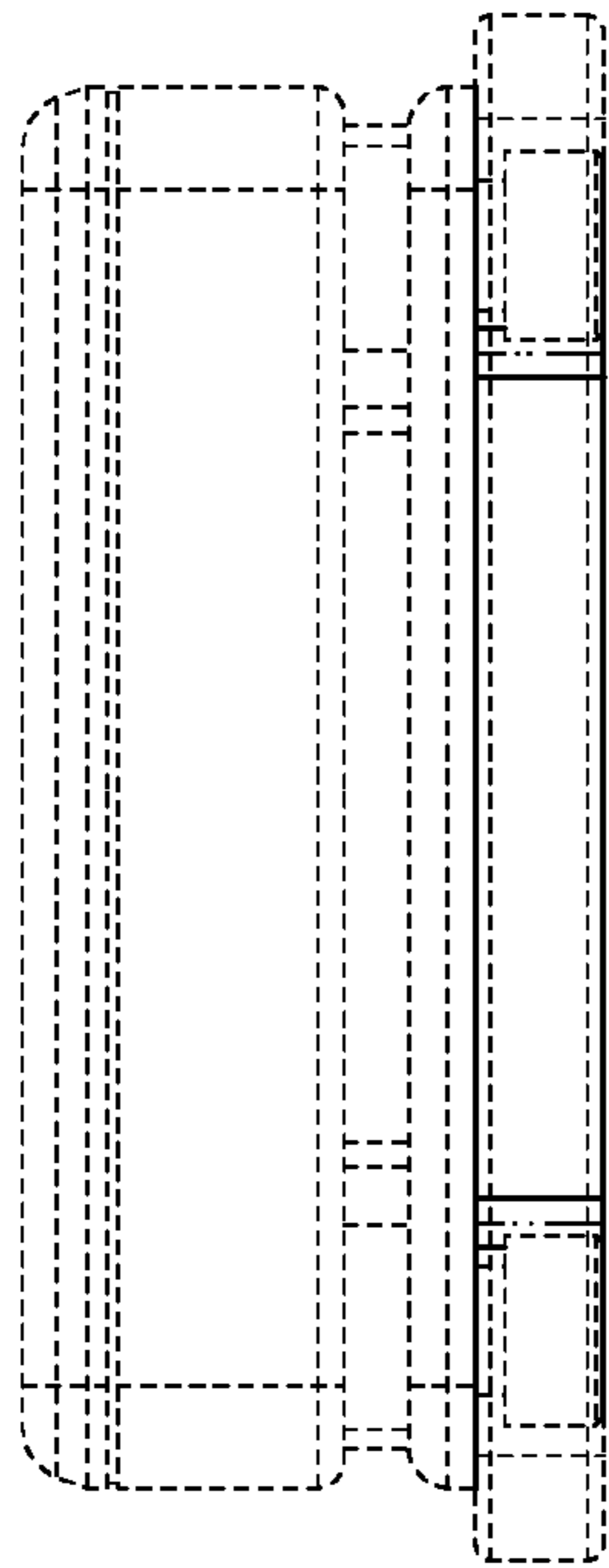




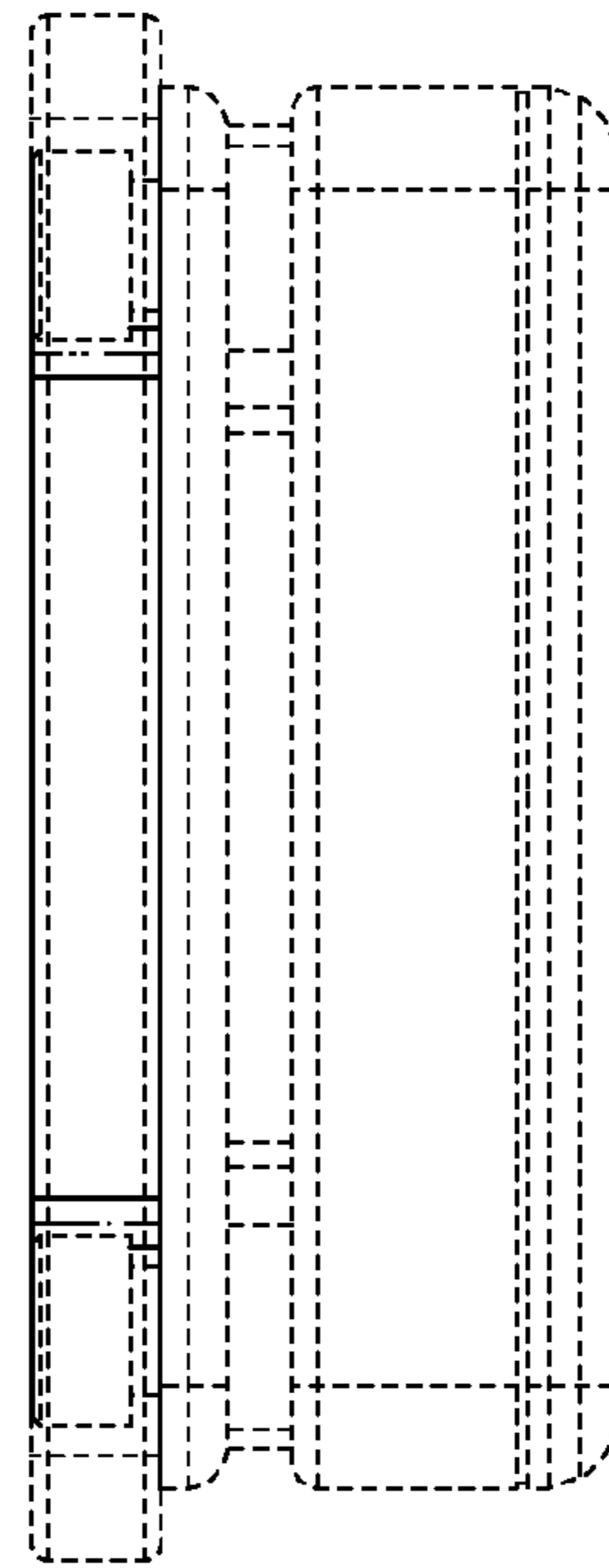
**FIG. 19**



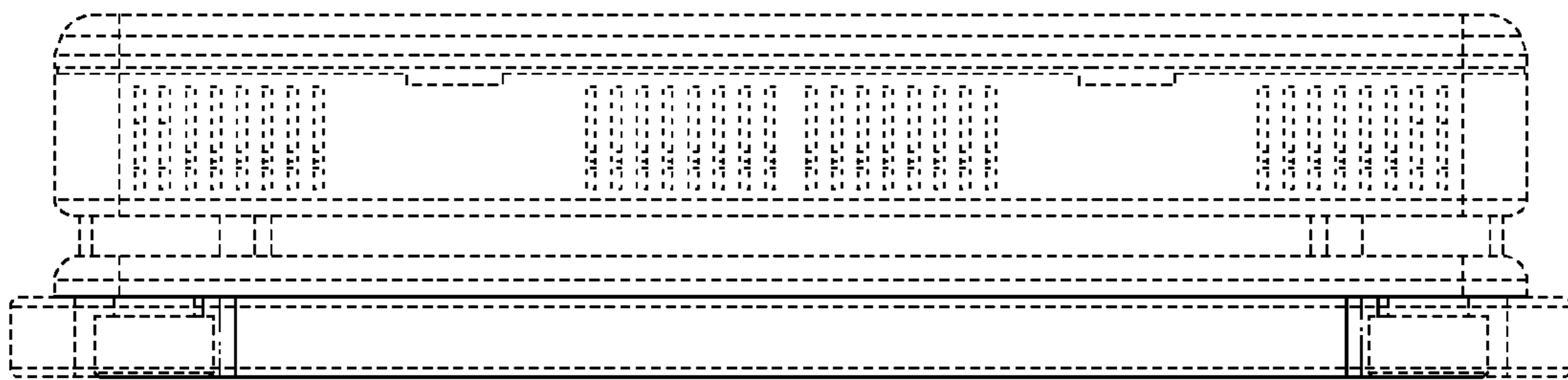
**FIG. 20**



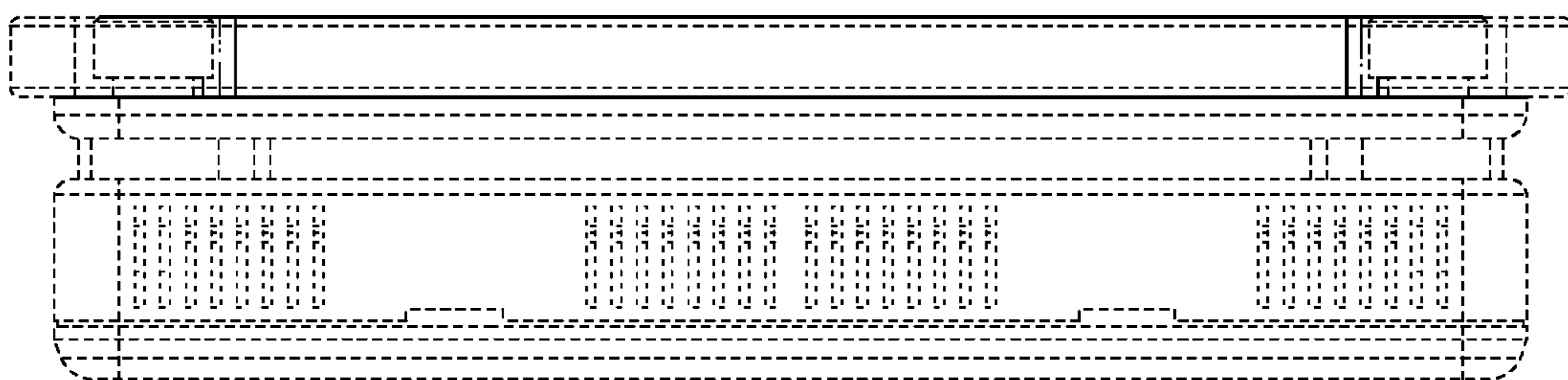
**FIG. 21**



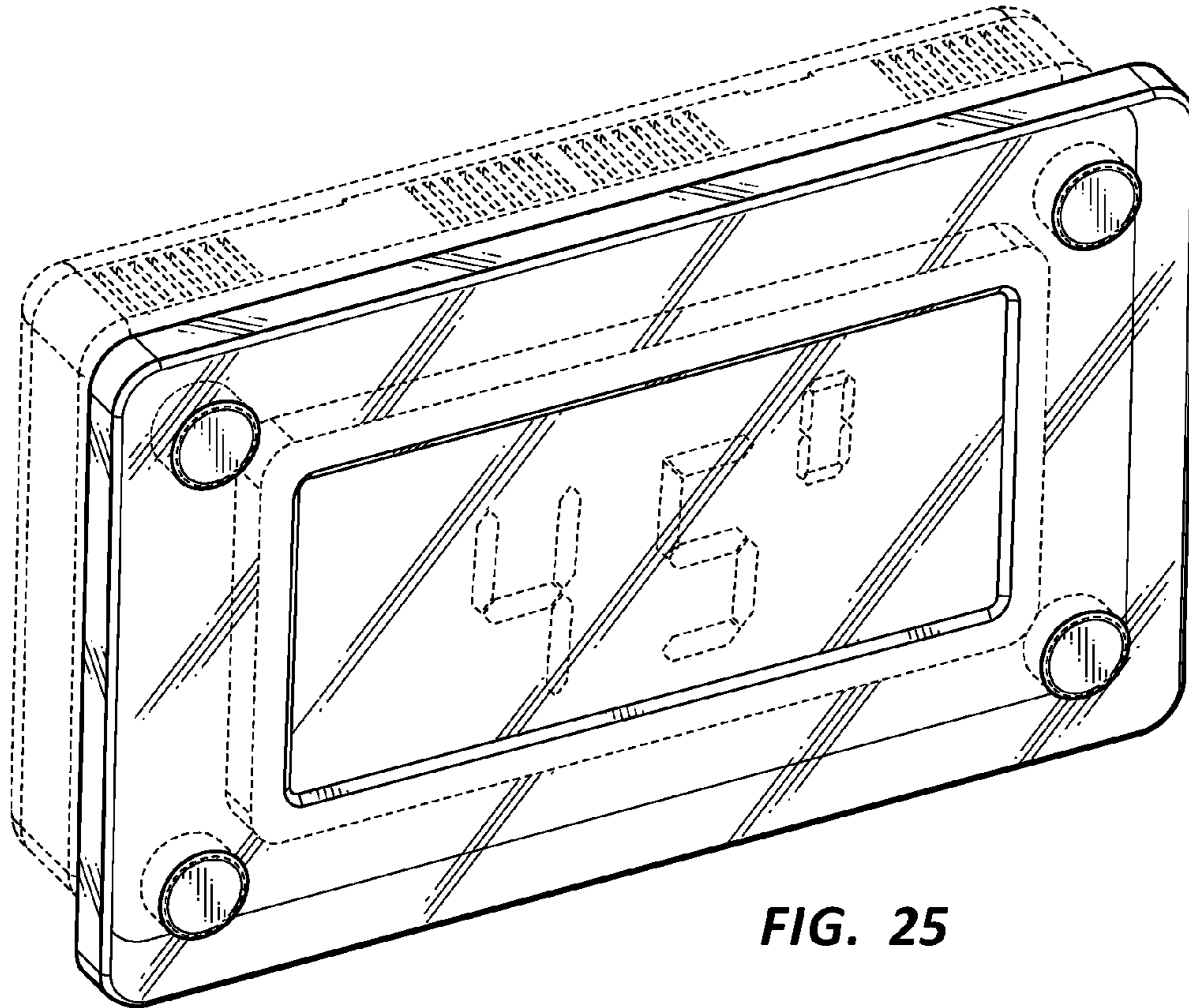
**FIG. 22**



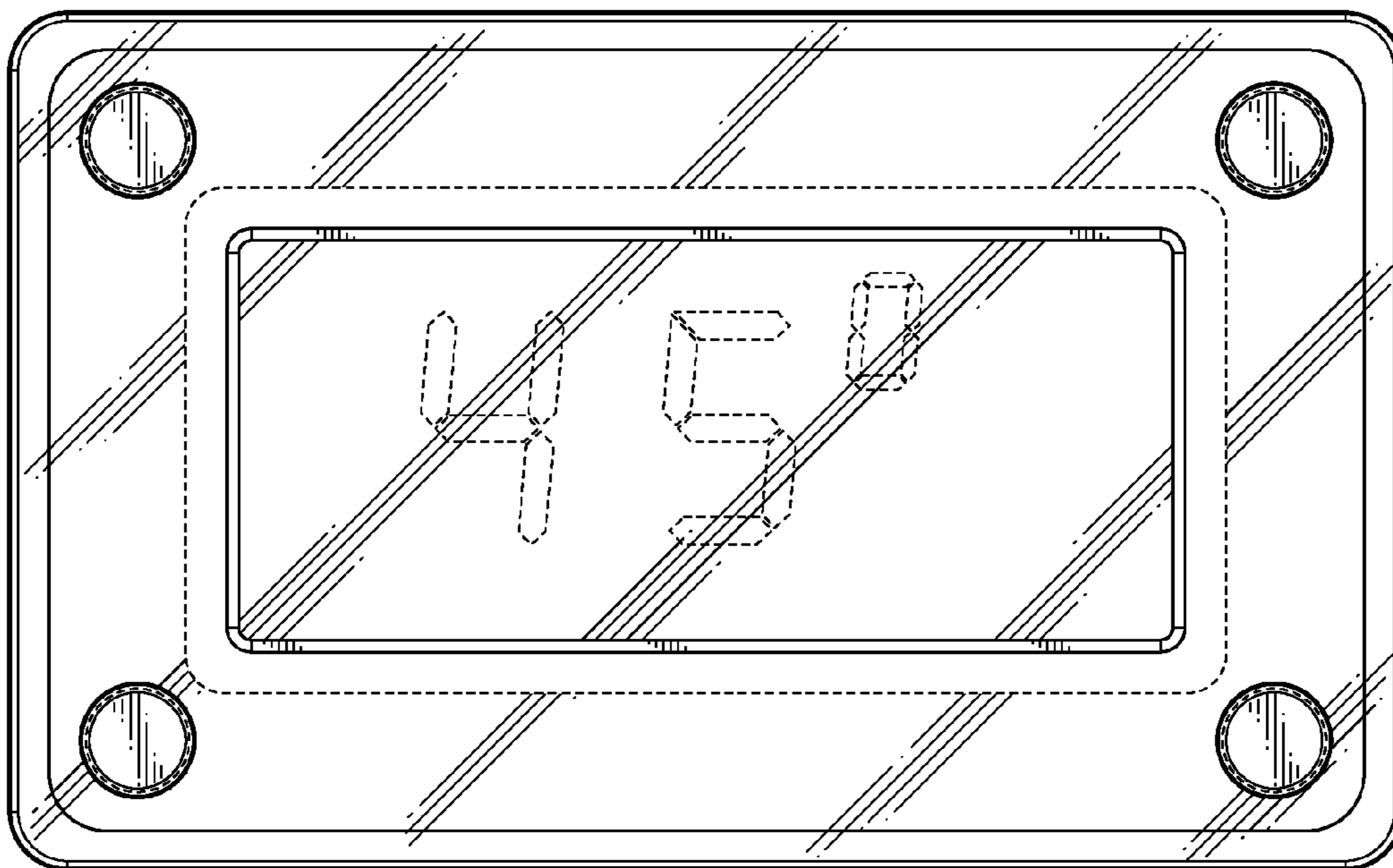
**FIG. 23**



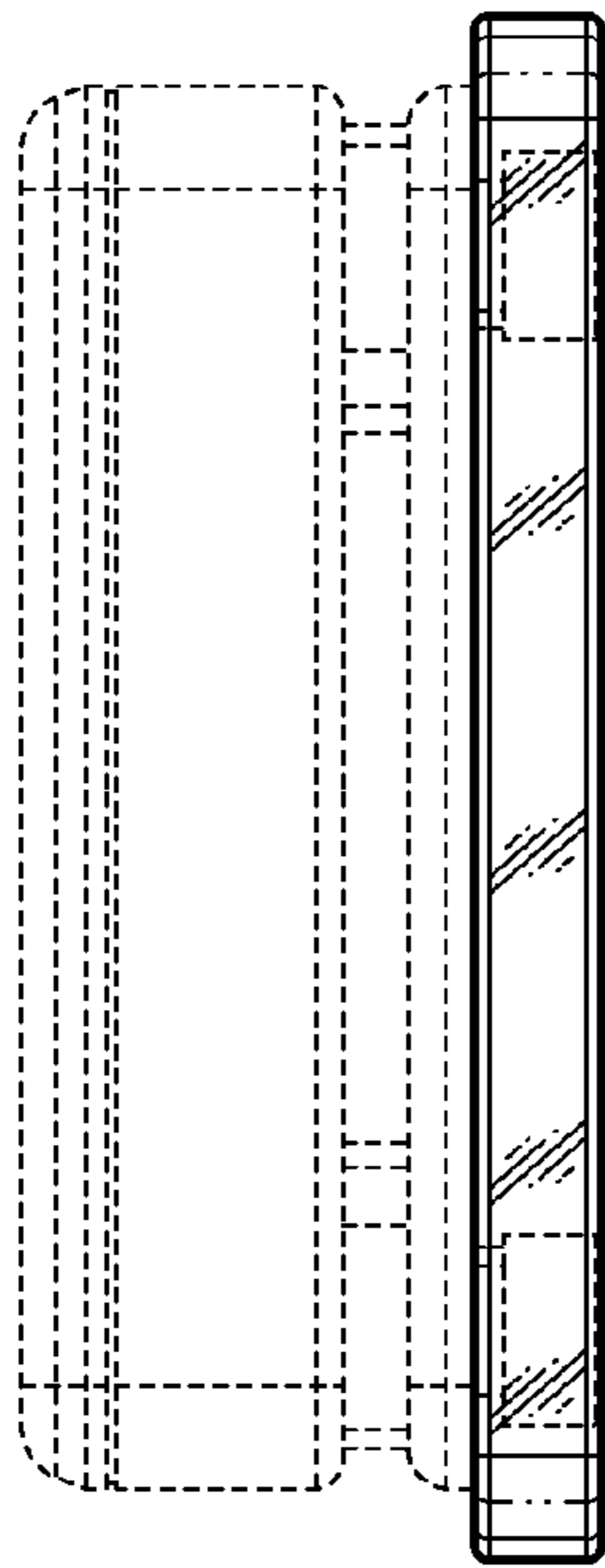
**FIG. 24**



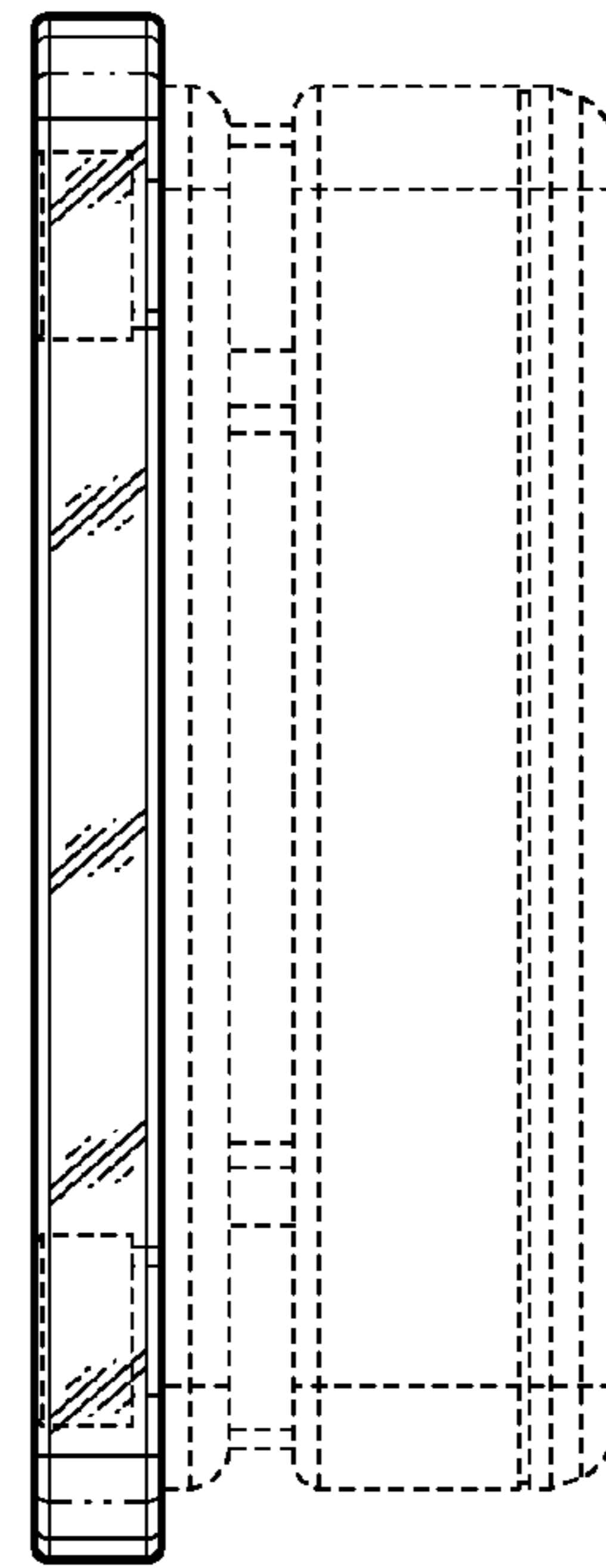
**FIG. 25**



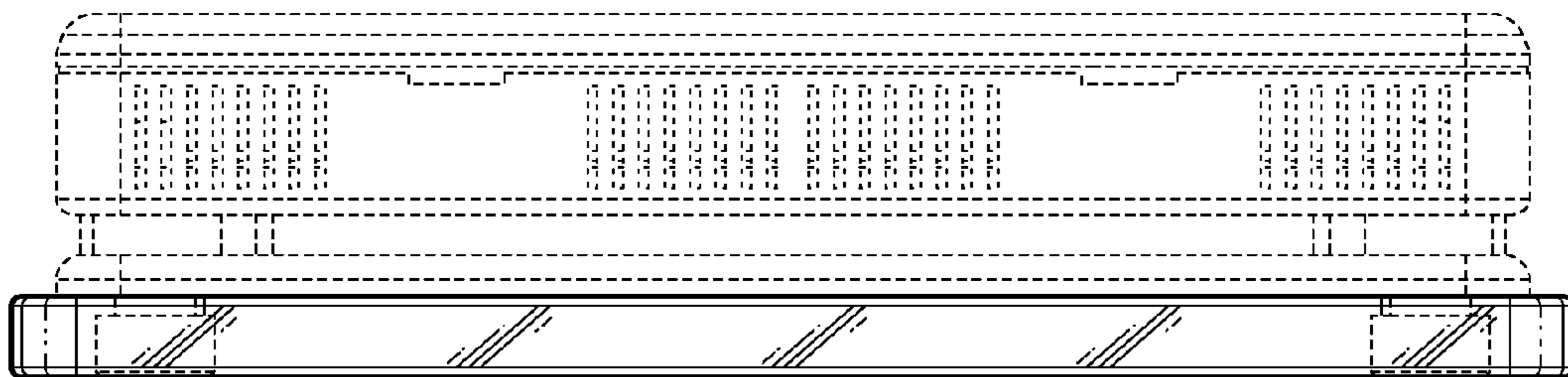
**FIG. 26**



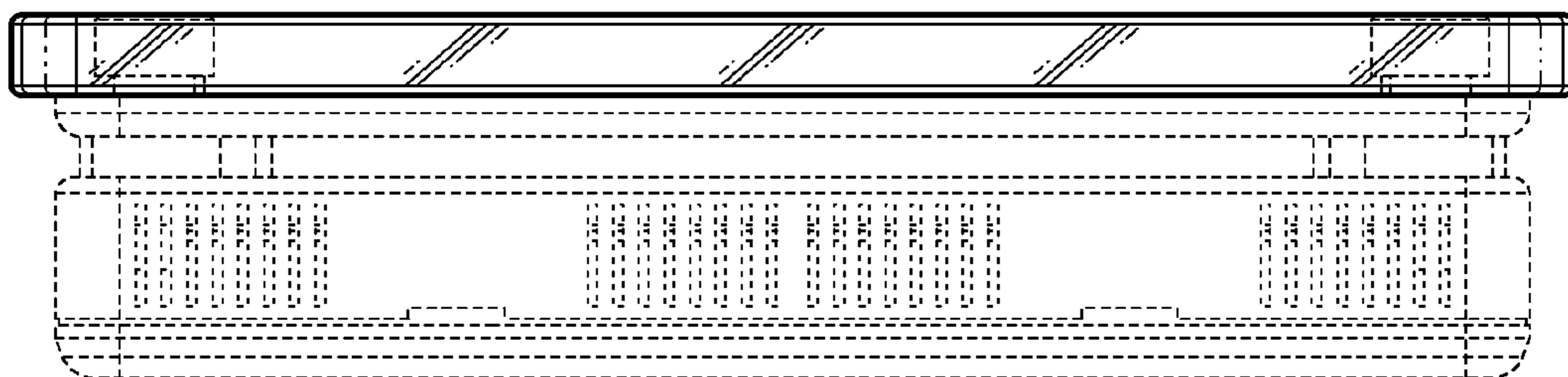
**FIG. 27**



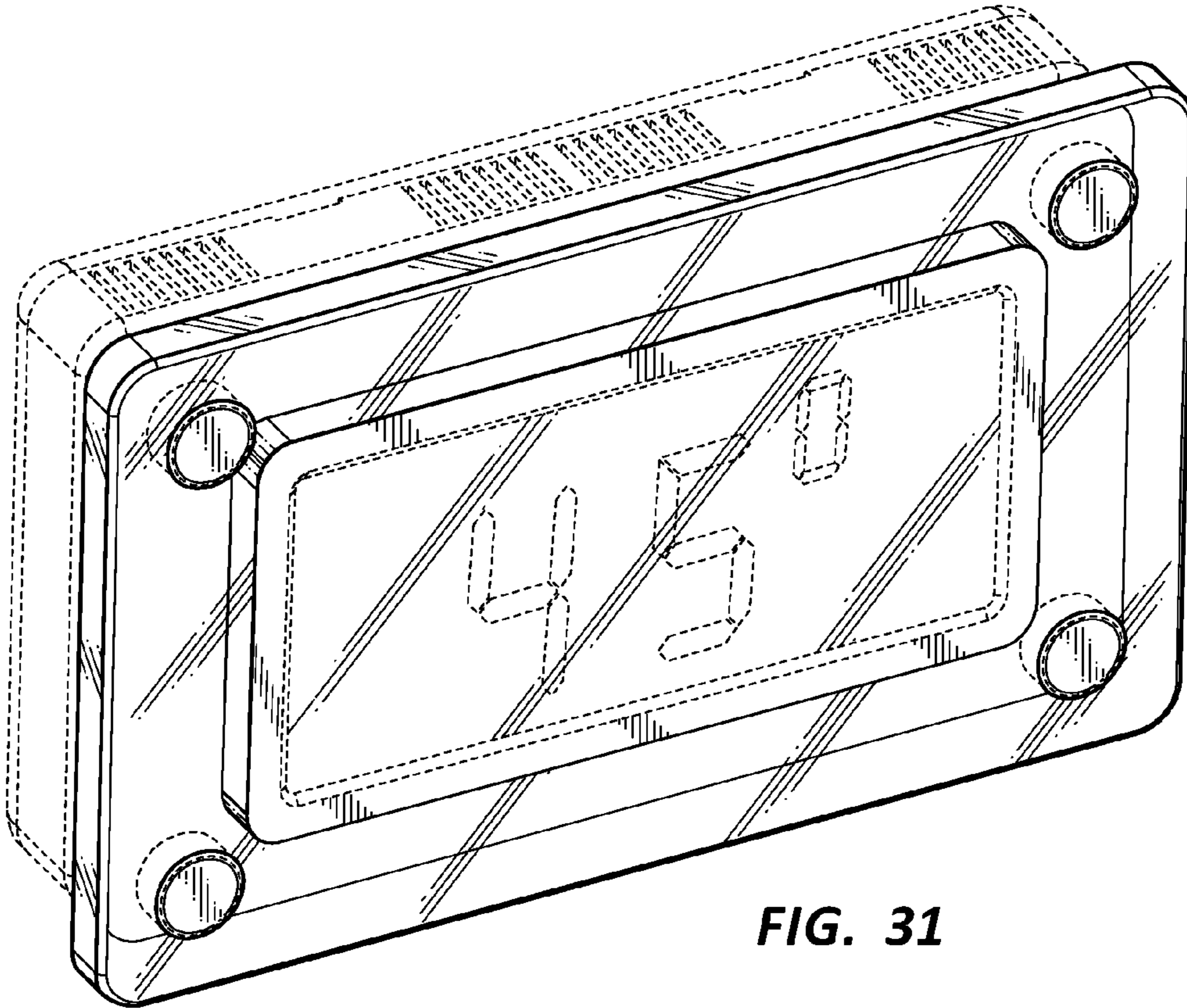
**FIG. 28**



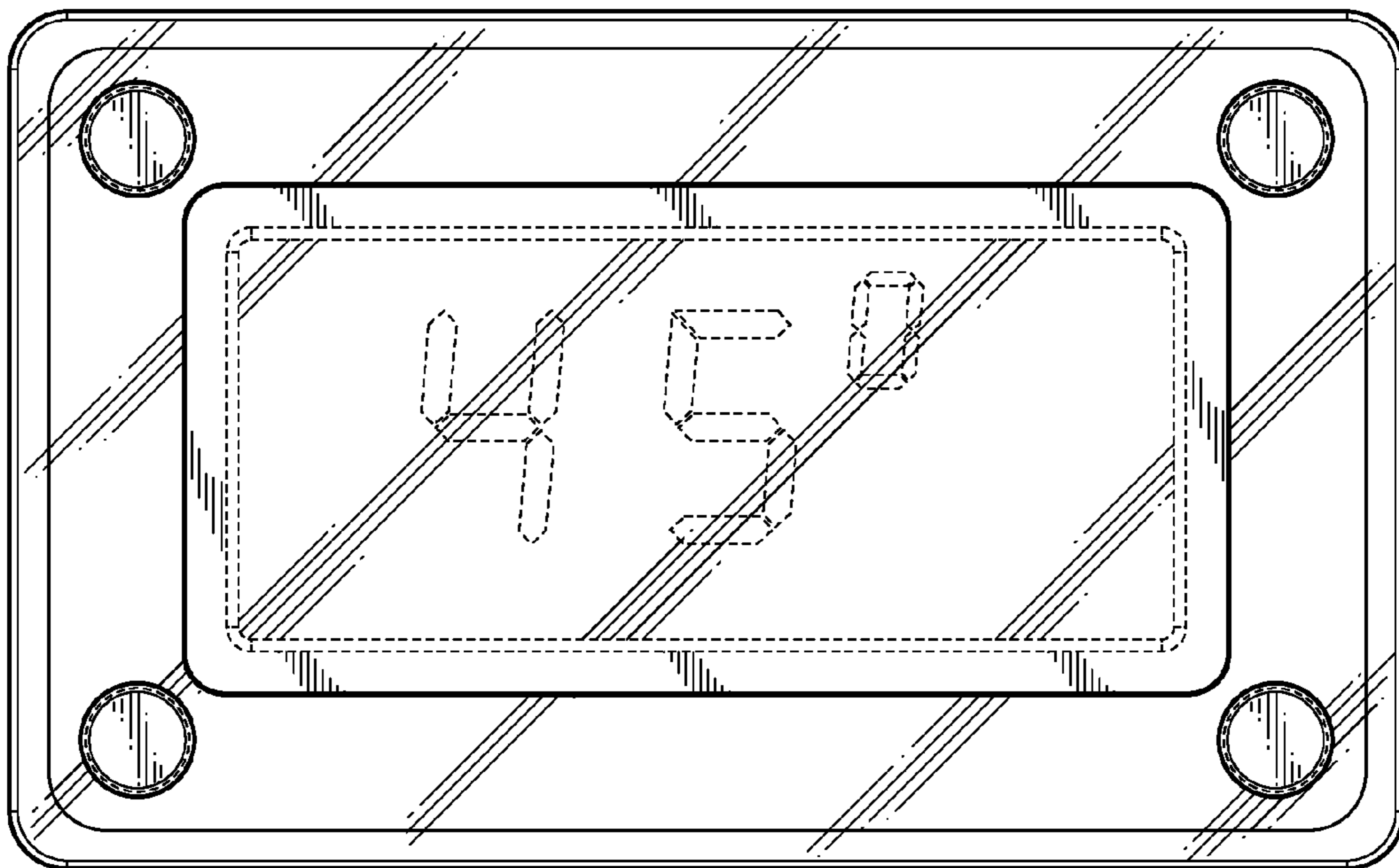
**FIG. 29**



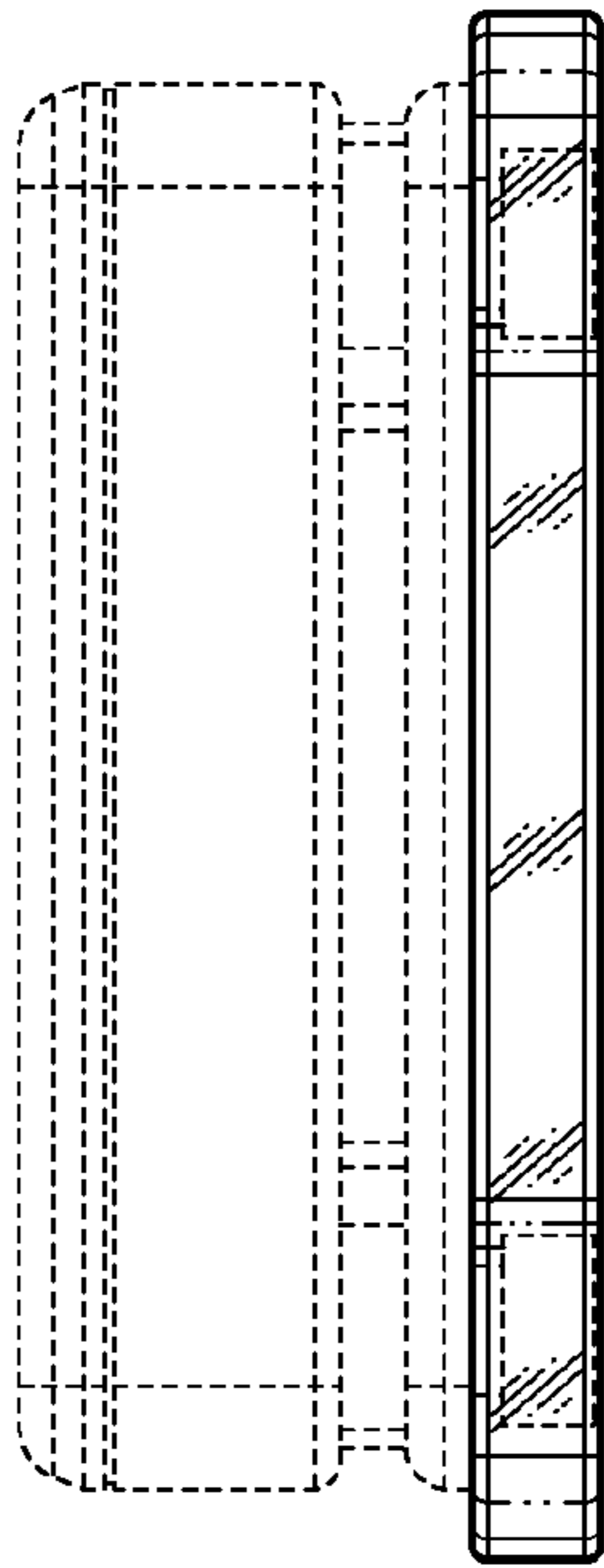
**FIG. 30**



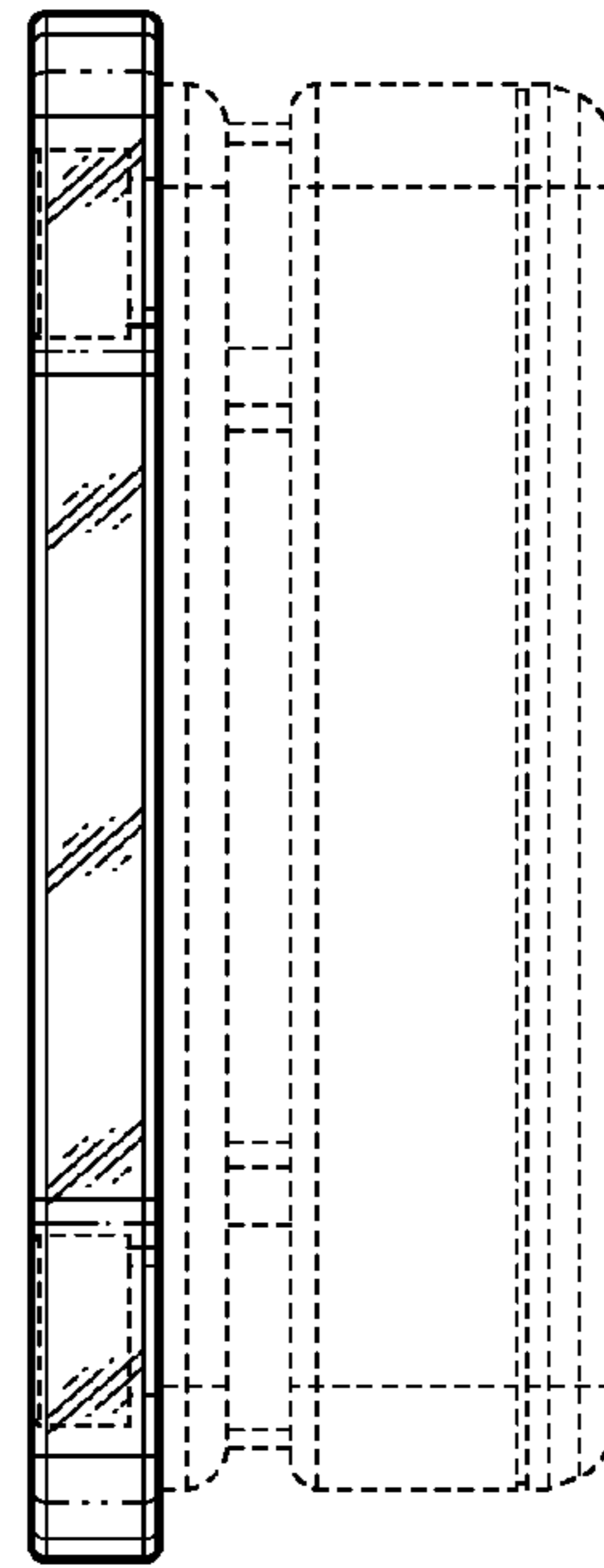
**FIG. 31**



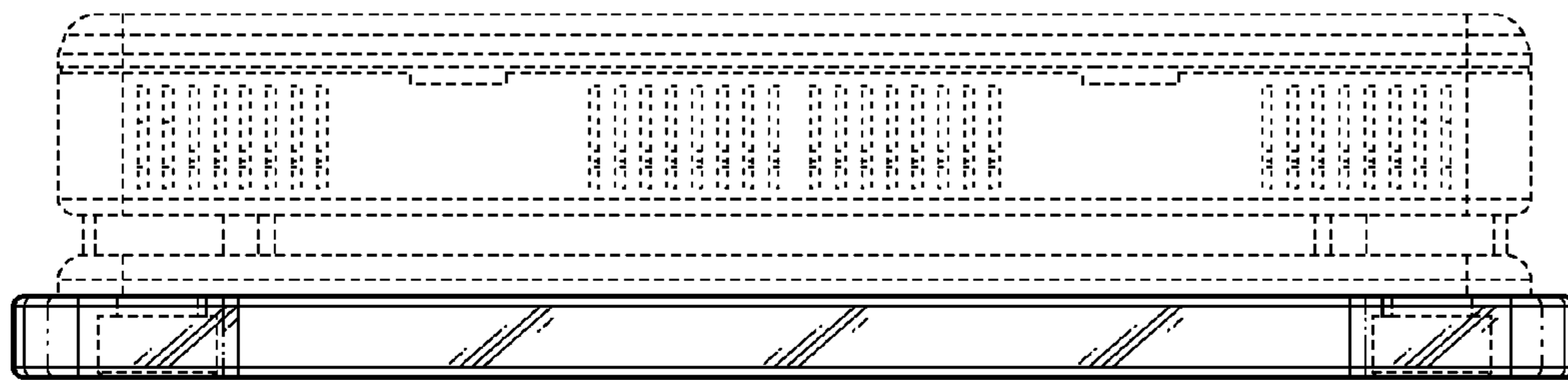
**FIG. 32**



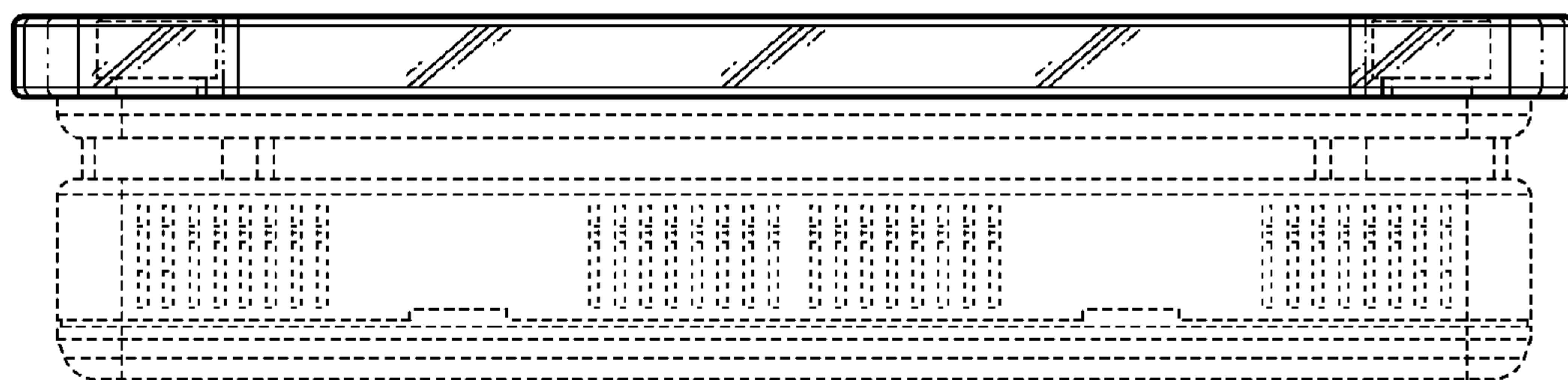
**FIG. 33**



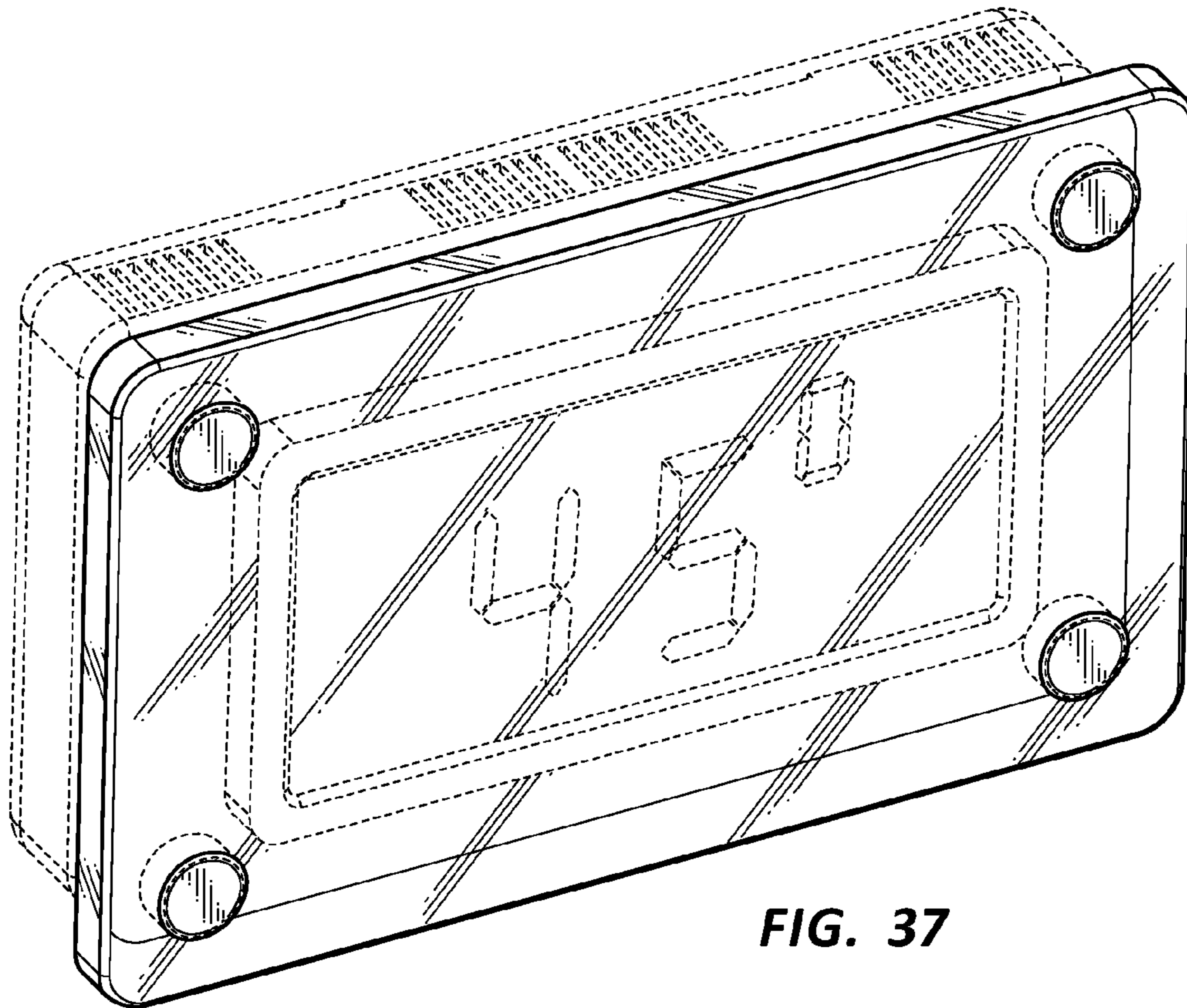
**FIG. 34**



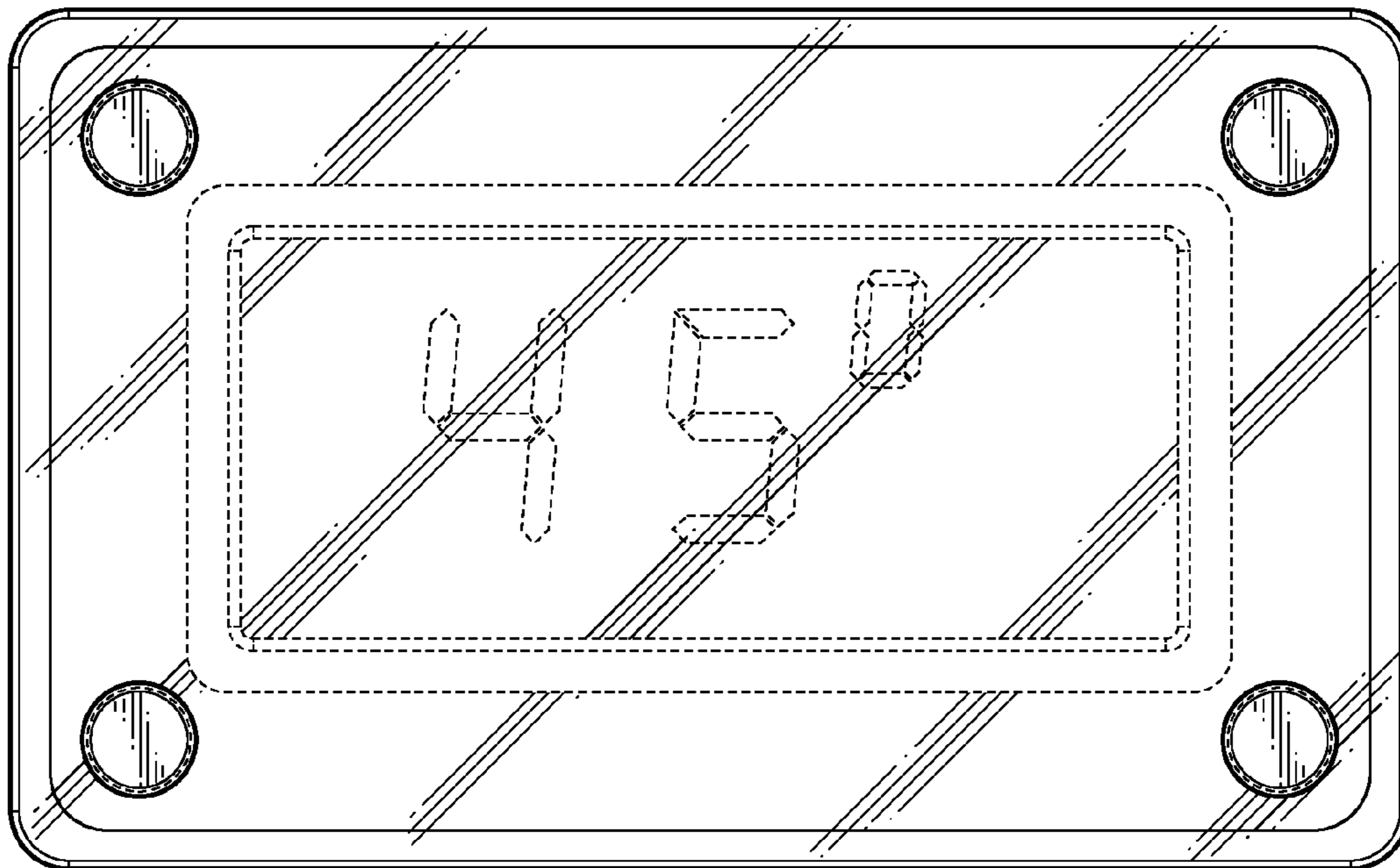
**FIG. 35**



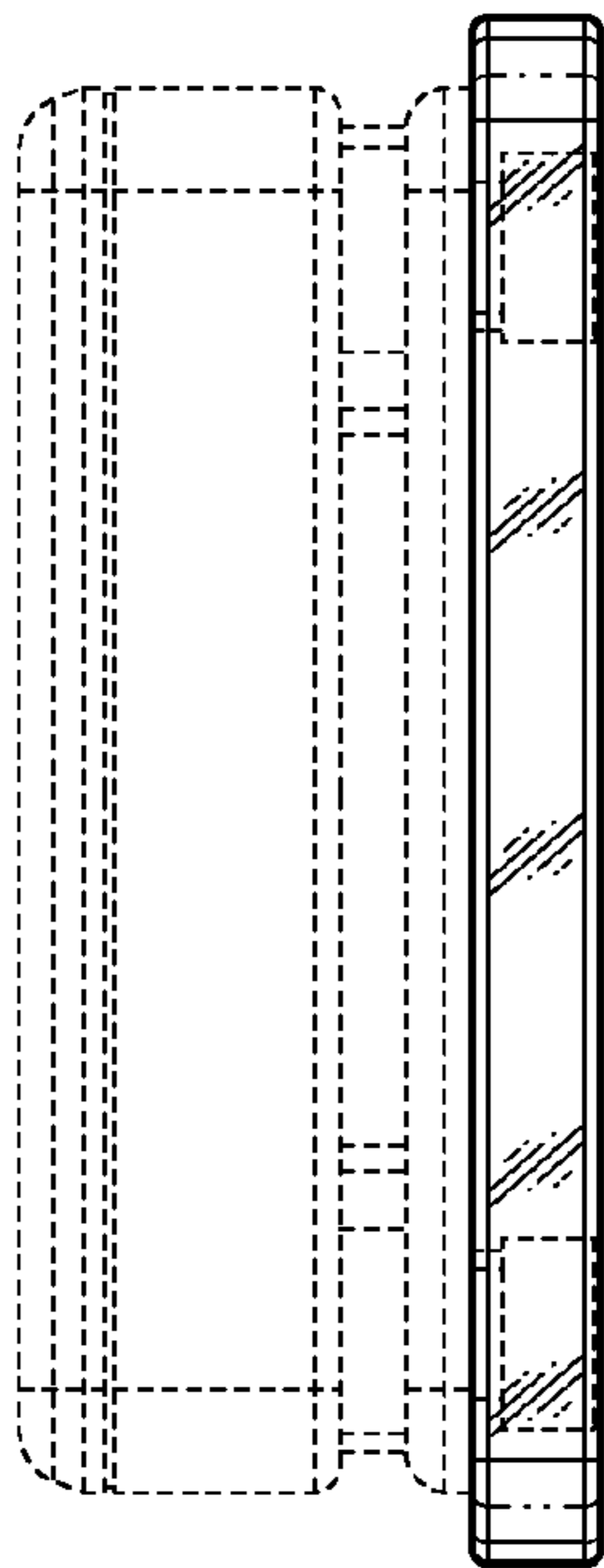
**FIG. 36**



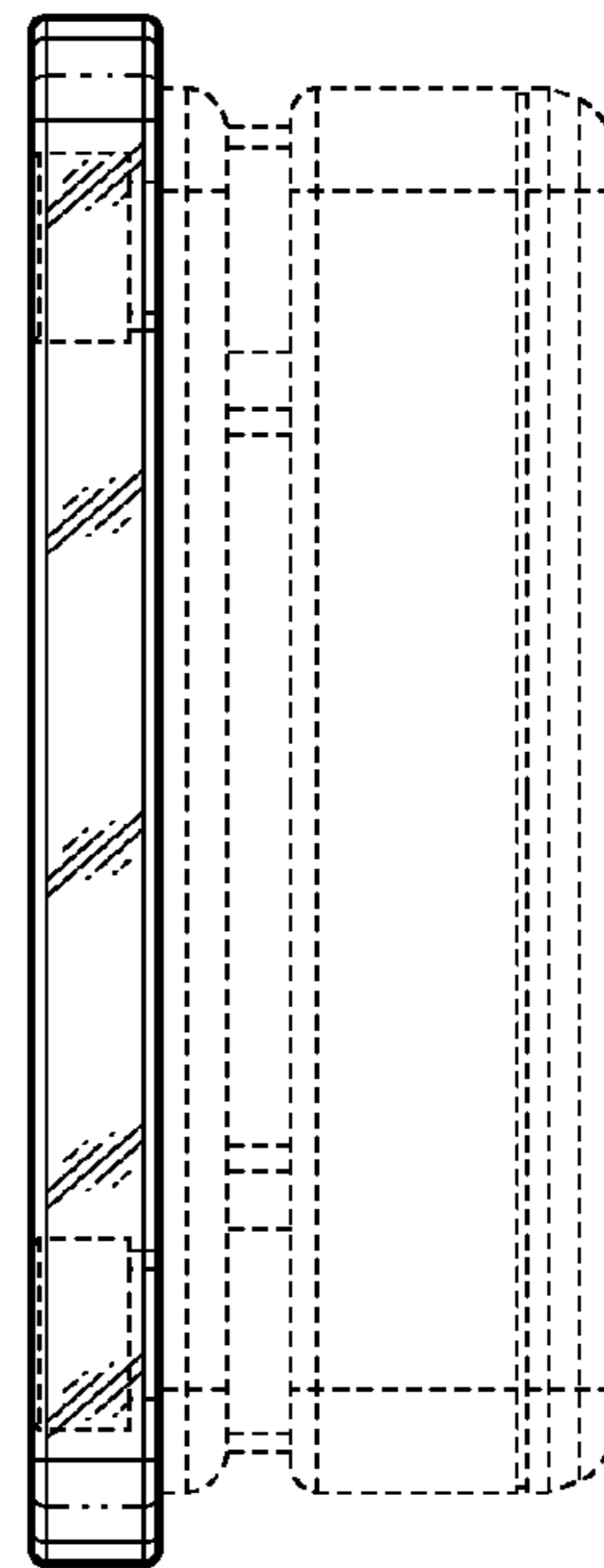
**FIG. 37**



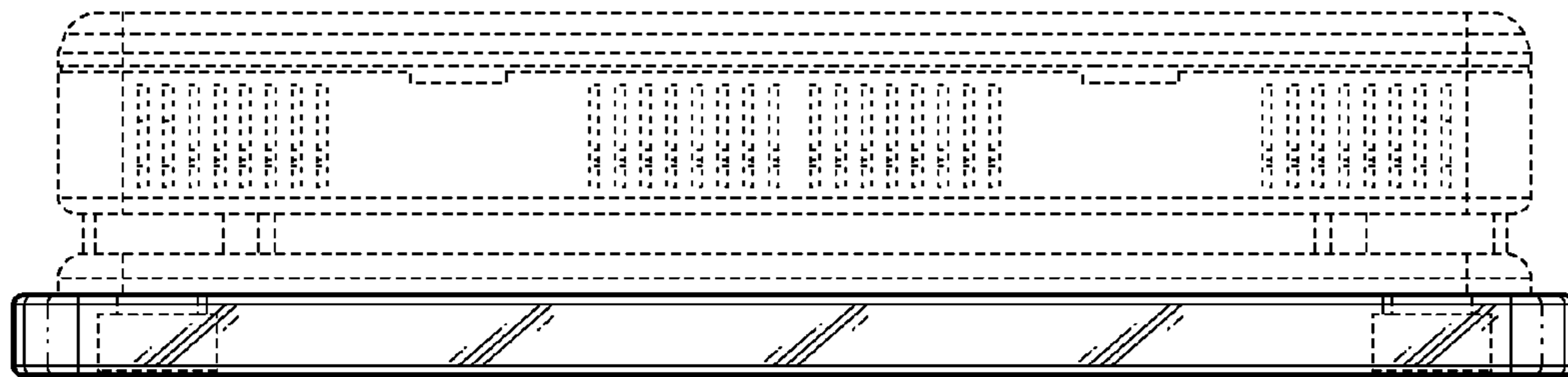
**FIG. 38**



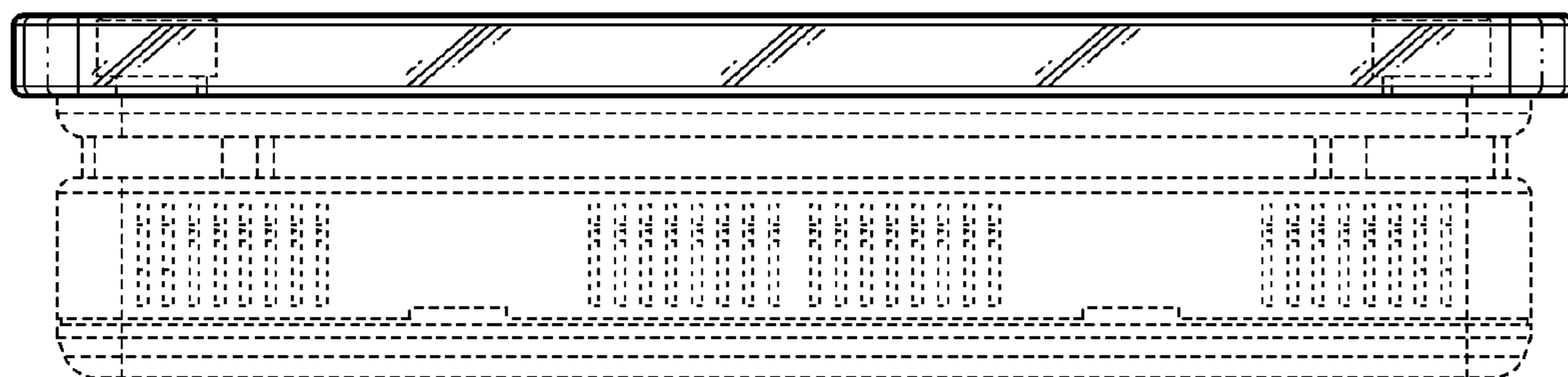
**FIG. 39**



**FIG. 40**



**FIG. 41**



**FIG. 42**