



US00D679199S

(12) **United States Design Patent**
Mille

(10) **Patent No.:** **US D679,199 S**
(45) **Date of Patent:** **** Apr. 2, 2013**

(54) **WATCH**

(75) Inventor: **Richard Mille**, Moulins (FR)

(73) Assignee: **Turlen Holding SA**, Soyhieres (CH)

(**) Term: **14 Years**

(21) Appl. No.: **29/423,901**

(22) Filed: **Jun. 6, 2012**

(30) **Foreign Application Priority Data**

Dec. 6, 2011 (WO) DM/077 247

(51) **LOC (9) Cl.** **10-02**

(52) **U.S. Cl.** **D10/39**

(58) **Field of Classification Search** D10/30-39,
D10/122-132; 368/276, 281, 282, 223, 228,
368/232, 308, 319

See application file for complete search history.

(56) **References Cited**

U.S. PATENT DOCUMENTS

D401,864 S *	12/1998	Navera	D10/32
D404,320 S *	1/1999	Chodat	D10/39
D455,358 S *	4/2002	Mauboussin	D10/32
D456,274 S *	4/2002	Mille	D10/30
D493,374 S *	7/2004	Arlanda	D10/32
D547,209 S *	7/2007	Gruosi-Scheufele	D10/39
D565,429 S *	4/2008	Modolo	D10/32
D573,902 S *	7/2008	Modolo	D10/39

D606,888 S *	12/2009	Mille	D10/38
D646,589 S *	10/2011	Mille	D10/39
D648,639 S *	11/2011	Mille	D10/39
D650,708 S *	12/2011	Laucella	D10/39
D658,514 S *	5/2012	Mille	D10/39
D658,515 S *	5/2012	Mille	D10/39
D658,516 S *	5/2012	Mille	D10/39
D660,184 S *	5/2012	Calce	D10/32
D664,047 S *	7/2012	Mille	D10/39
D664,048 S *	7/2012	Mille	D10/39

OTHER PUBLICATIONS

U.S. Appl. No. 29/423,904, filed Jun. 6, 2012, First Named Inventor:
Richard Mille.

* cited by examiner

Primary Examiner — Lucy Lieberman

(74) *Attorney, Agent, or Firm* — Donald J. Ranft; Collen IP

(57) **CLAIM**

The ornamental design for a watch, as shown and described.

DESCRIPTION

FIG. 1 is a front right perspective view of a watch showing my new design;

FIG. 2 is a rear left perspective view thereof;

FIG. 3 is a right side view thereof;

FIG. 4 is a left side view thereof;

FIG. 5 is a bottom view thereof;

FIG. 6 is a top view thereof;

FIG. 7 is a front view thereof; and,

FIG. 8 is a rear view thereof.

1 Claim, 6 Drawing Sheets





FIG. 1

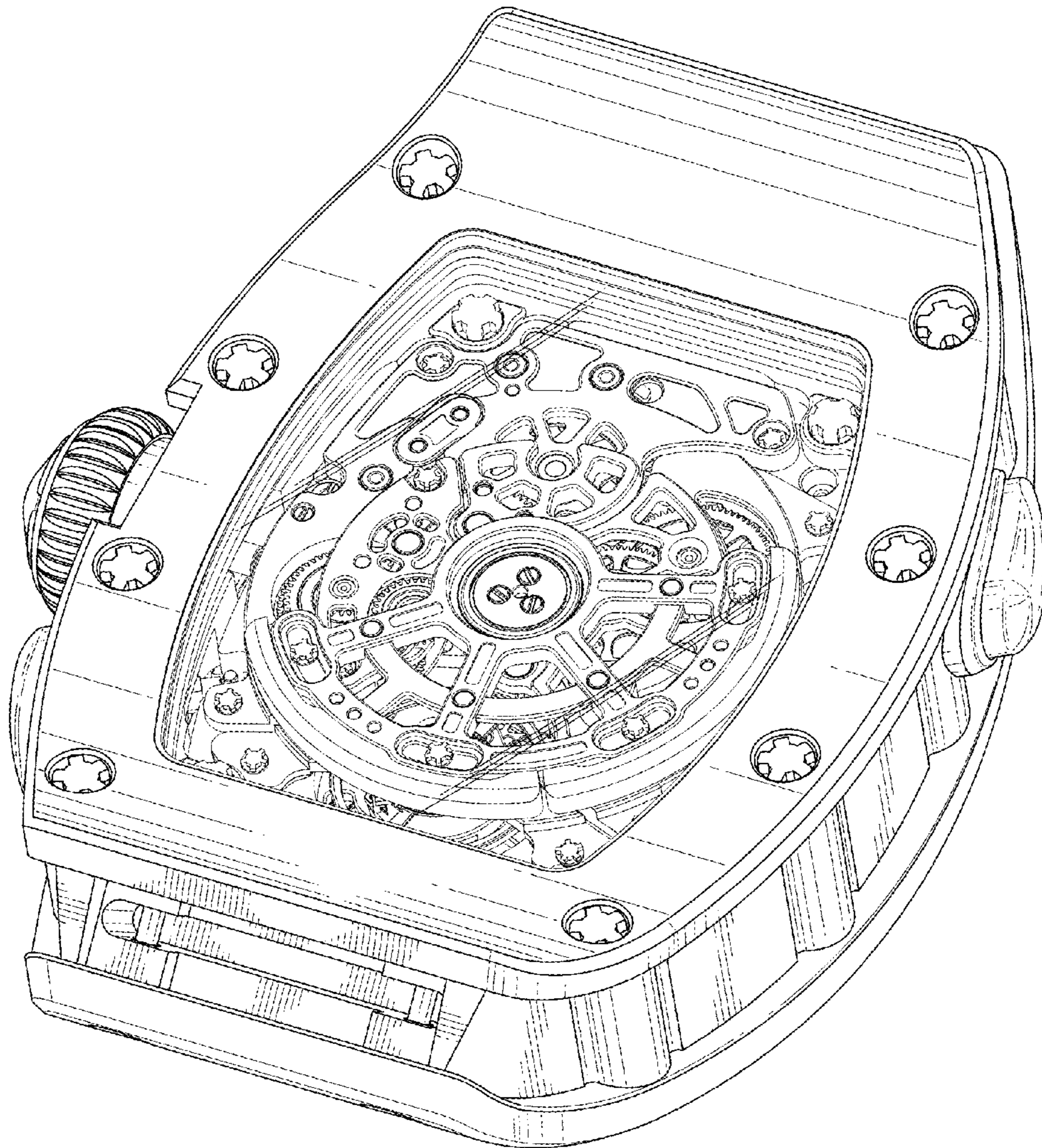


FIG. 2

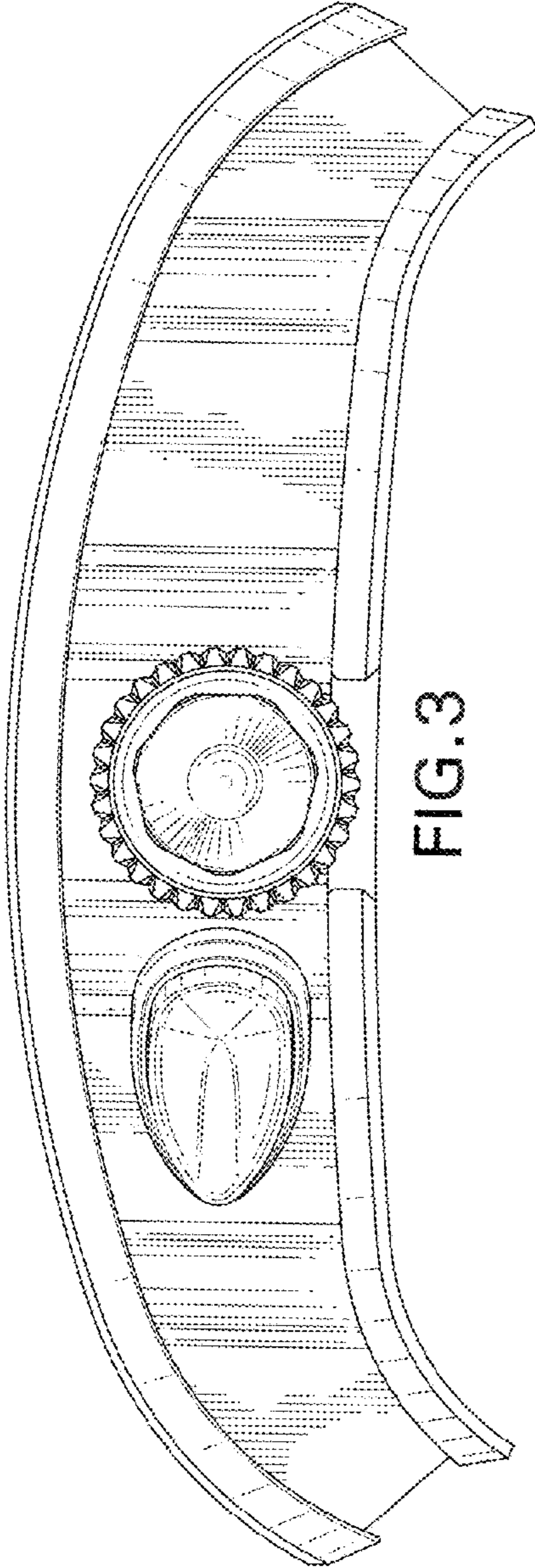


FIG. 3

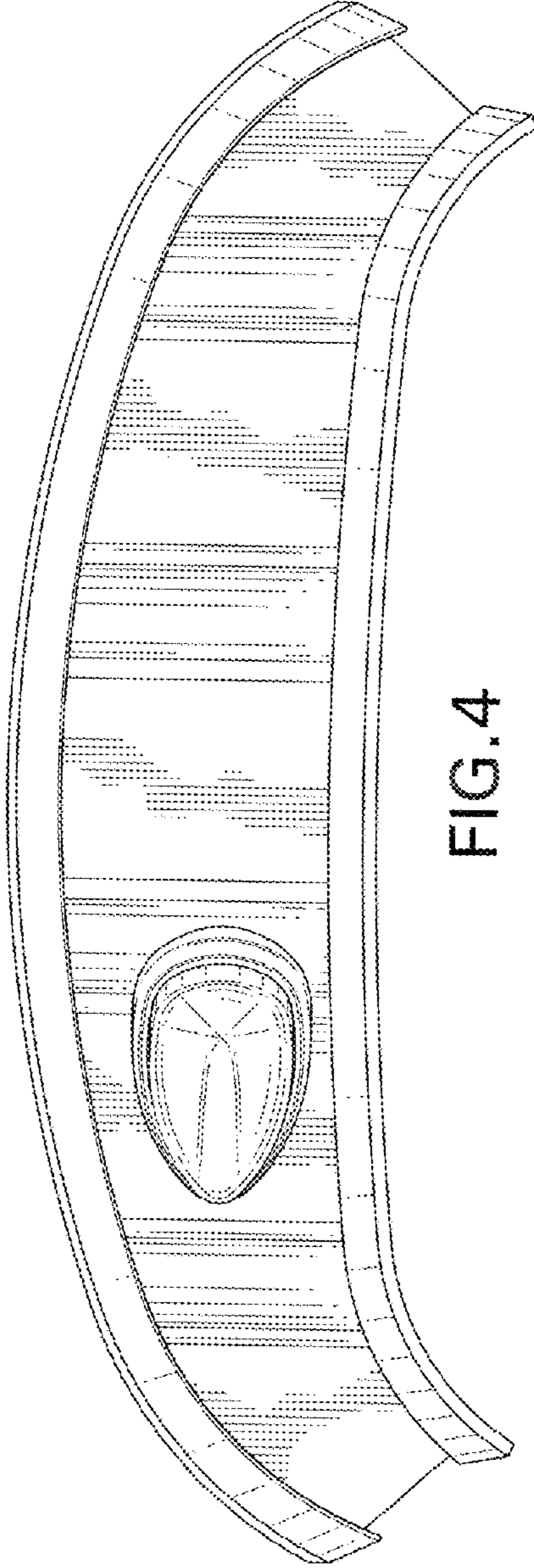


FIG. 4

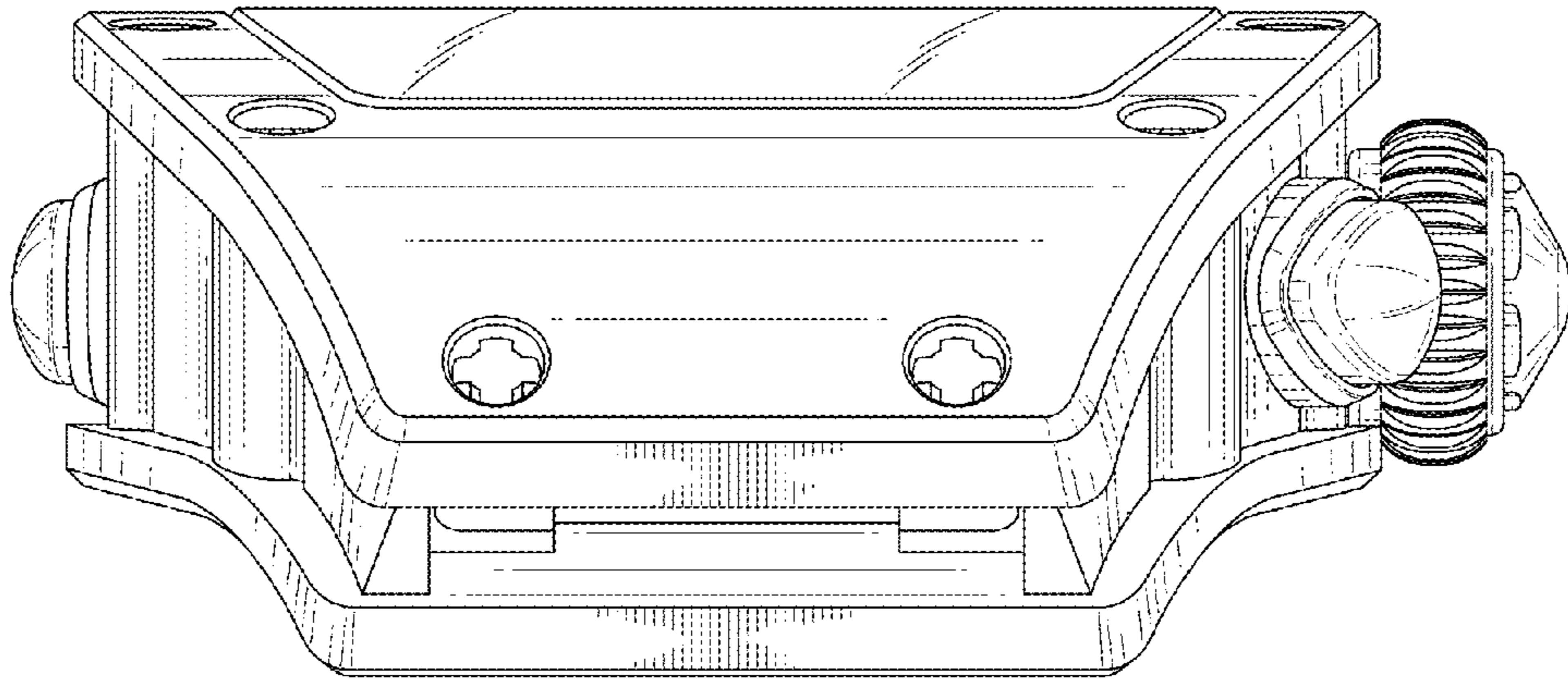


FIG. 5

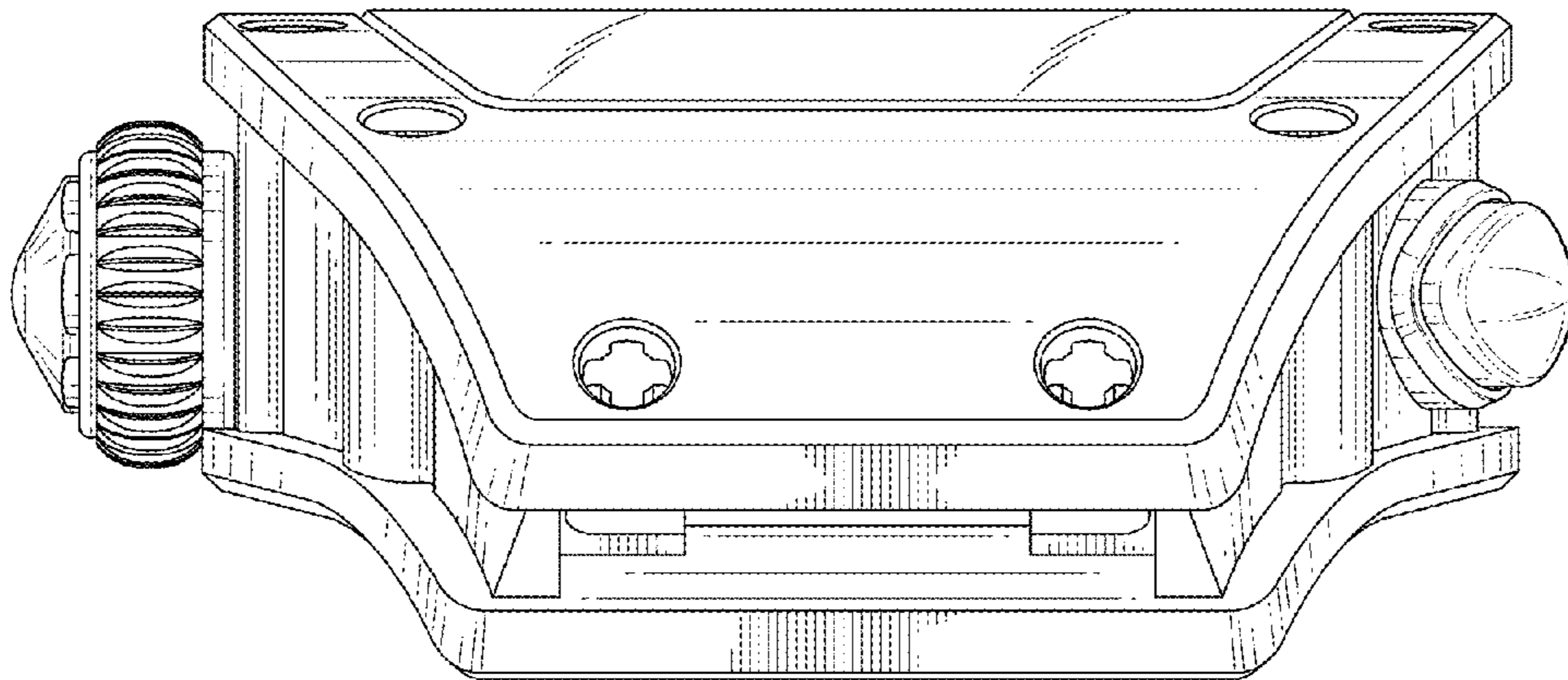


FIG. 6



FIG. 7



FIG. 8