



US00D679198S

(12) **United States Design Patent**
O'Connor et al.

(10) **Patent No.:** **US D679,198 S**
(45) **Date of Patent:** **** Apr. 2, 2013**

(54) **CLAM SHELL WITH DIVIDER PACKAGE**

(75) Inventors: **John D. O'Connor**, Griffith, IN (US);
Mark R. Gartz, Mt. Prospect, IL (US);
Scott A. Hanson, Grayslake, IL (US);
Patru Pusta, Miami, FL (US); **Paulo Marchesan**, Miami, FL (US)

(73) Assignee: **Burger King Corporation**, Miami, FL (US)

(**) Term: **14 Years**

(21) Appl. No.: **29/419,131**

(22) Filed: **Apr. 25, 2012**

(51) **LOC (9) Cl.** **09-03**

(52) **U.S. Cl.** **D9/756; D9/761; D9/421; D9/424**

(58) **Field of Classification Search** **D9/737, D9/761, 424, 430-432, 420, 422, 425, 421; D7/550, 553, 555; 206/561, 564; 220/500, 220/555, 657, 659, 904; 229/404**

See application file for complete search history.

(56) **References Cited**

U.S. PATENT DOCUMENTS

D218,155 S * 7/1970 Britt D9/423
3,567,013 A * 3/1971 Tannebaum 206/538

(Continued)

Primary Examiner — Mark Goodwin

(74) *Attorney, Agent, or Firm* — Arent Fox LLP

(57) **CLAIM**

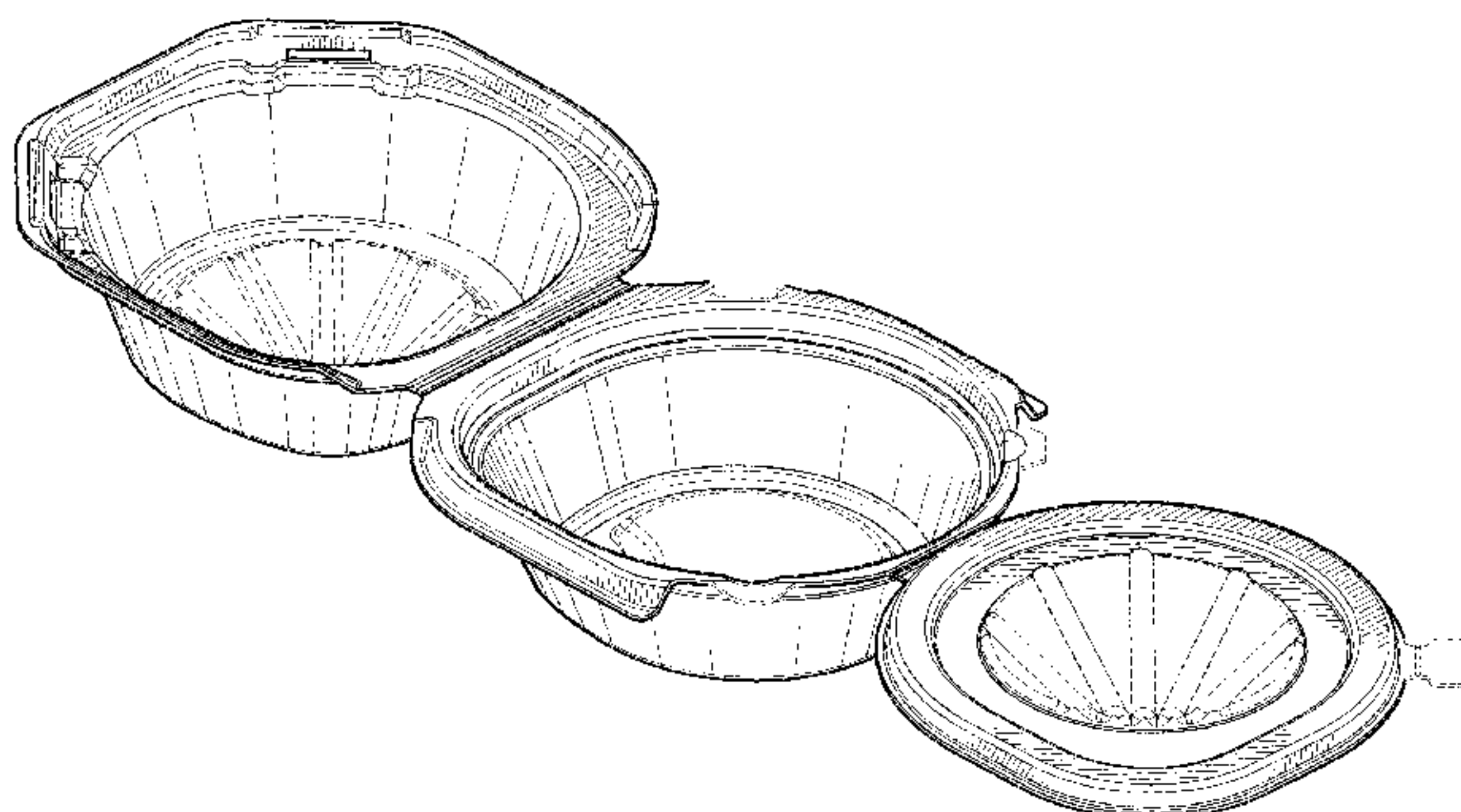
The ornamental design for a clam shell with divider package, as shown and described.

DESCRIPTION

FIG. 1 is a perspective view of a clam shell with divider package in a fully open stated showing our new design;
FIG. 2 is a bottom view of the clam shell with divider package of FIG. 1;
FIG. 3 is a top view of the clam shell with divider package of FIG. 1;

FIG. 4 is a back view of the clam shell with divider package of FIG. 1;
FIG. 5 is a front view of the clam shell with divider package of FIG. 1;
FIG. 6 is right side view of the clam shell with divider package of FIG. 1;
FIG. 7 is left side view of the clam shell with divider package of FIG. 1;
FIG. 8 is a perspective view of the clam shell with divider package of FIG. 1 in a partially closed state, with a divider of the clam shell engaged with a top of the clam shell, according to the disclosed subject matter;
FIG. 9 is a top view of the partially closed clam shell with divider package of FIG. 8;
FIG. 10 is a bottom view of the partially closed clam shell with divider package of FIG. 8;
FIG. 11 is a back view of the partially closed clam shell with divider package of FIG. 8;
FIG. 12 is a front view of the partially closed clam shell with divider package of FIG. 8;
FIG. 13 is a right side view of the partially closed clam shell with divider package of FIG. 8;
FIG. 14 is a left side view of the partially closed clam shell with divider package of FIG. 8;
FIG. 15 is a perspective view of the clam shell with divider package of FIG. 1 in a fully closed state, with the top of the clam shell engaged with a bottom of the clam shell, according to the disclosed subject matter;
FIG. 16 is a top view of the fully closed clam shell with divider package of FIG. 15;
FIG. 17 is a bottom view of the fully closed clam shell with divider package of FIG. 15;
FIG. 18 is a front view of the fully closed clam shell with divider package of FIG. 15;
FIG. 19 is a back view of the fully closed clam shell with divider package of FIG. 15;
FIG. 20 is a right side view of the fully closed clam shell with divider package of FIG. 15; and,
FIG. 21 is a left side view of the fully closed clam shell with divider package of FIG. 15.
The broken lines in the foregoing figures are for the purpose of illustrating environmental structure that form no part of the claimed design.

1 Claim, 21 Drawing Sheets



US D679,198 S

Page 2

U.S. PATENT DOCUMENTS

3,580,650	A *	5/1971	Morris	312/7.1	5,300,748	A *	4/1994	Colombo	219/734
3,876,130	A *	4/1975	Haase	229/406	D398,846	S *	9/1998	Wyslotsky	D9/425
3,902,540	A *	9/1975	Commisso	220/4.24	D398,847	S *	9/1998	Wyslotsky et al.	D9/425
3,933,296	A *	1/1976	Ruskin et al.	229/406	5,950,834	A *	9/1999	Woodnorth et al.	206/541
D241,822	S *	10/1976	Jewell	D9/423	D516,388	S *	3/2006	Wells	D7/629
D252,853	S *	9/1979	Perkins	D9/421	D533,075	S *	12/2006	Snedden et al.	D9/717
4,183,446	A *	1/1980	Davis	220/4.23	D571,617	S *	6/2008	Di Serio et al.	D7/629
D280,605	S *	9/1985	Karlik	D9/426	D571,656	S *	6/2008	Maslowski	
D309,105	S *	7/1990	Fisher et al.	D9/425	D649,869	S *	12/2011	Gibson et al.	D9/421
D322,757	S *	12/1991	Payne	D9/425						

* cited by examiner

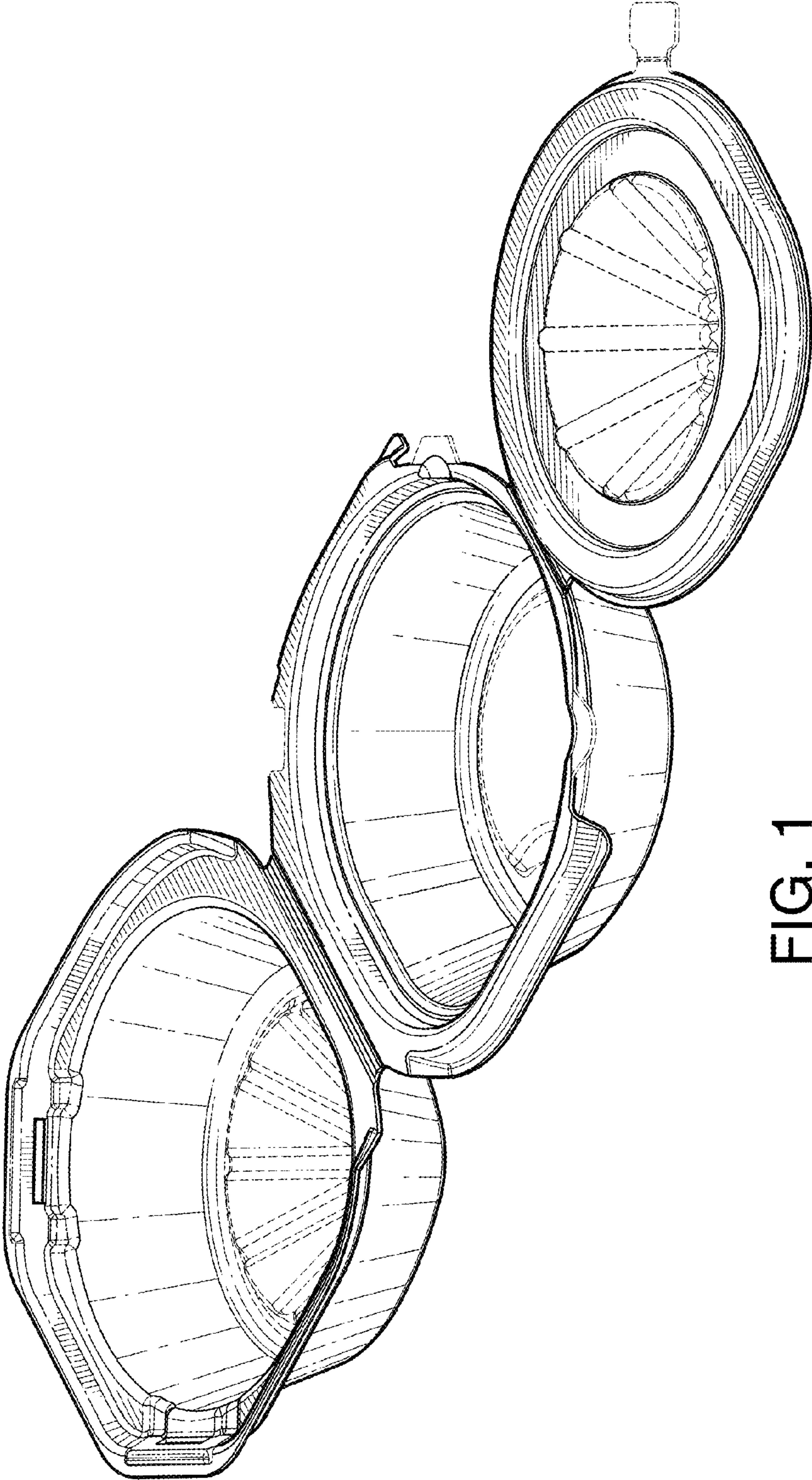


FIG. 1

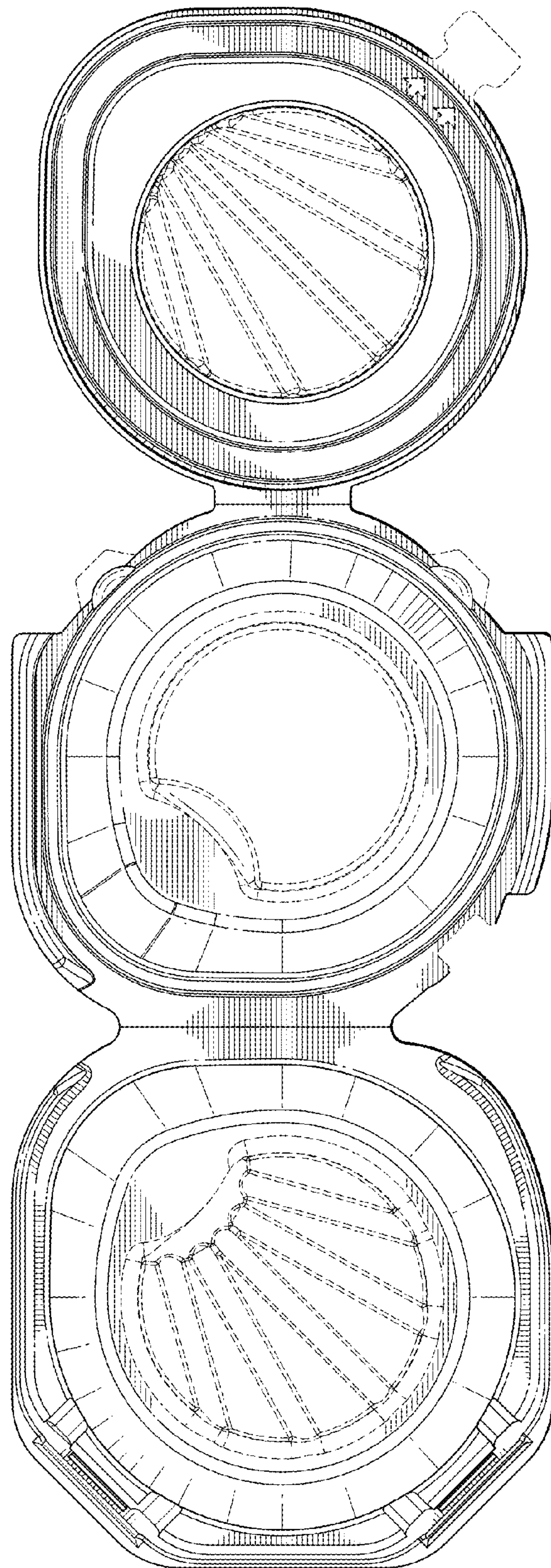


FIG. 2

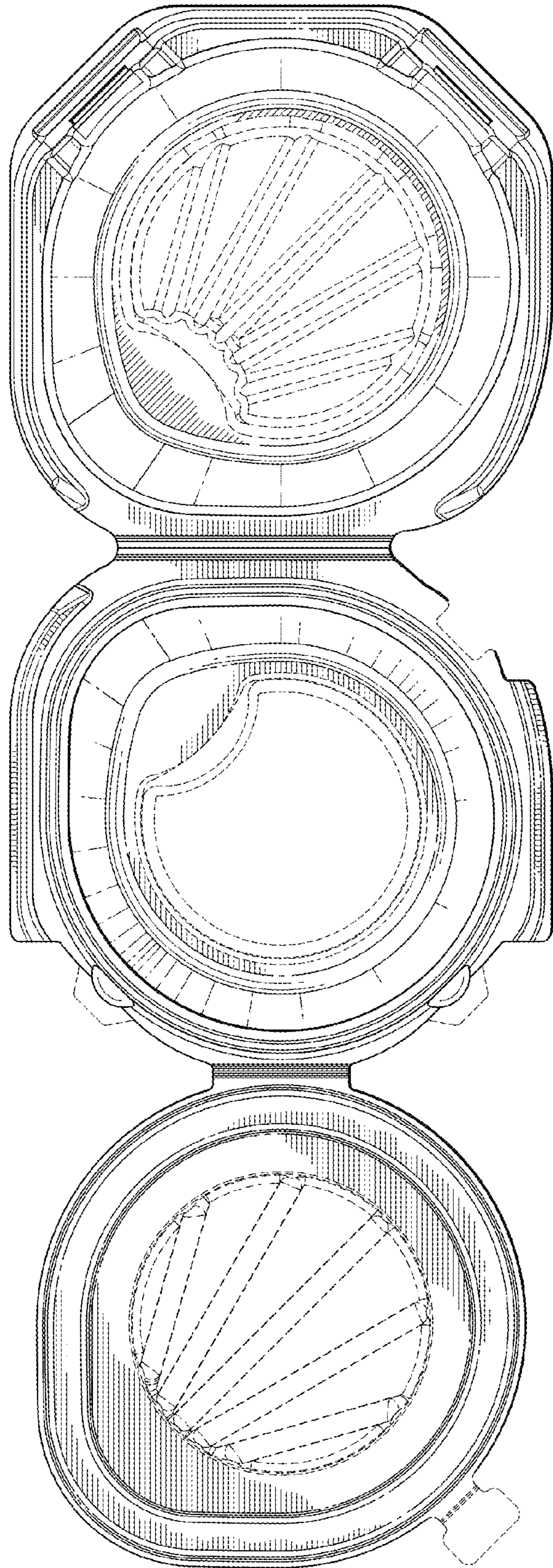


FIG. 3

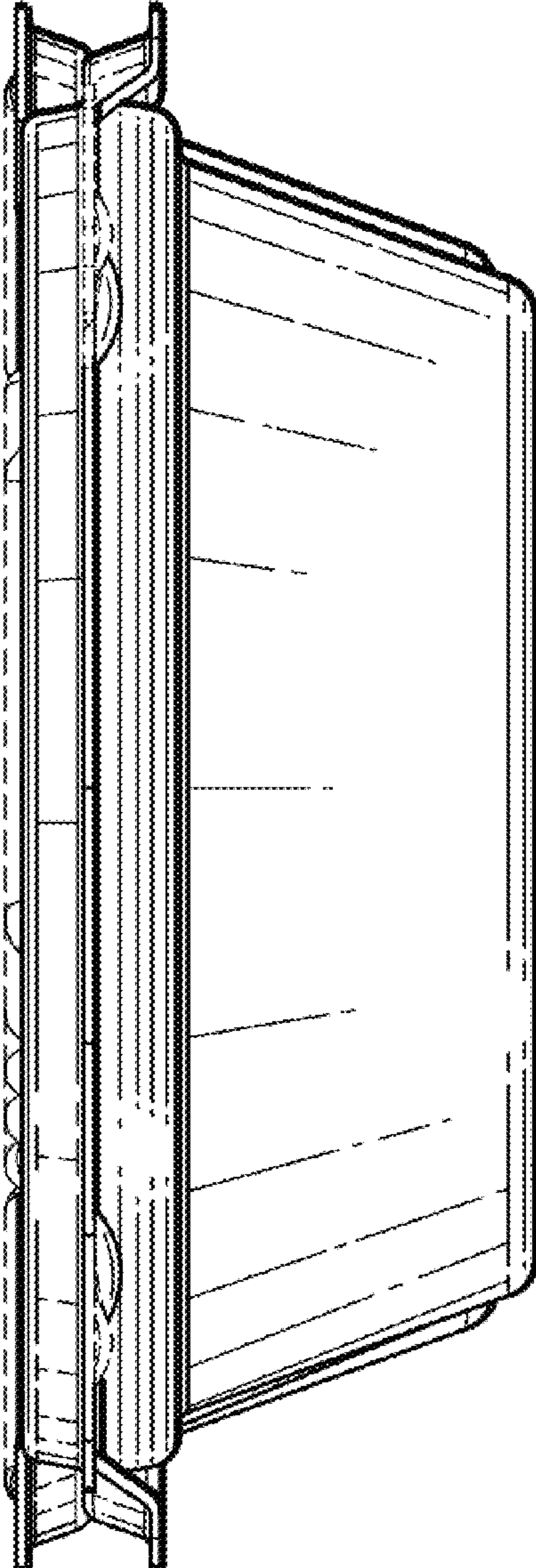


FIG. 4

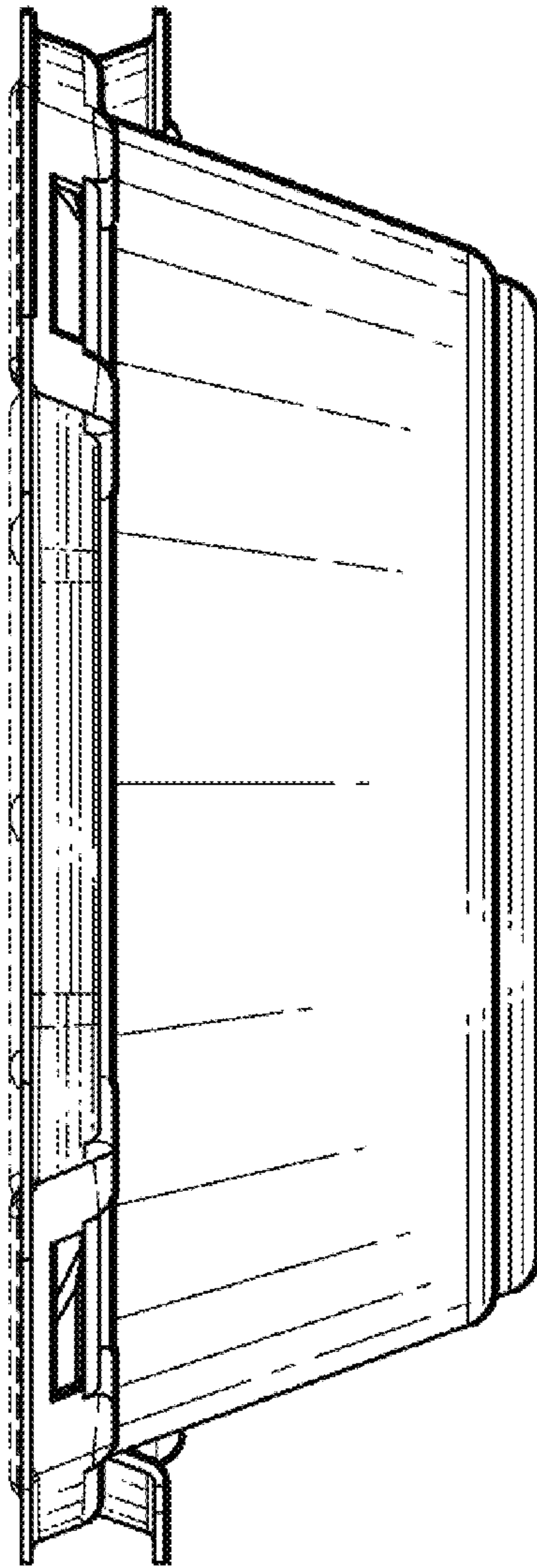


FIG. 5

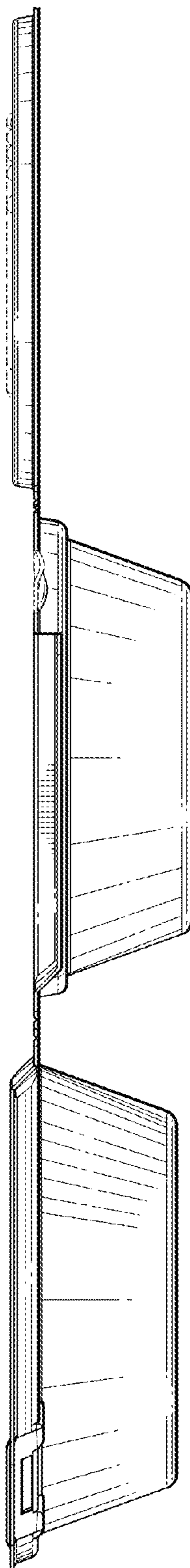


FIG. 6

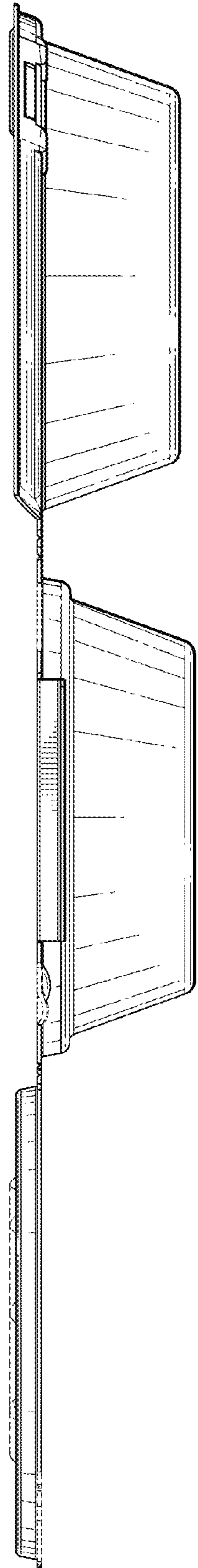


FIG. 7

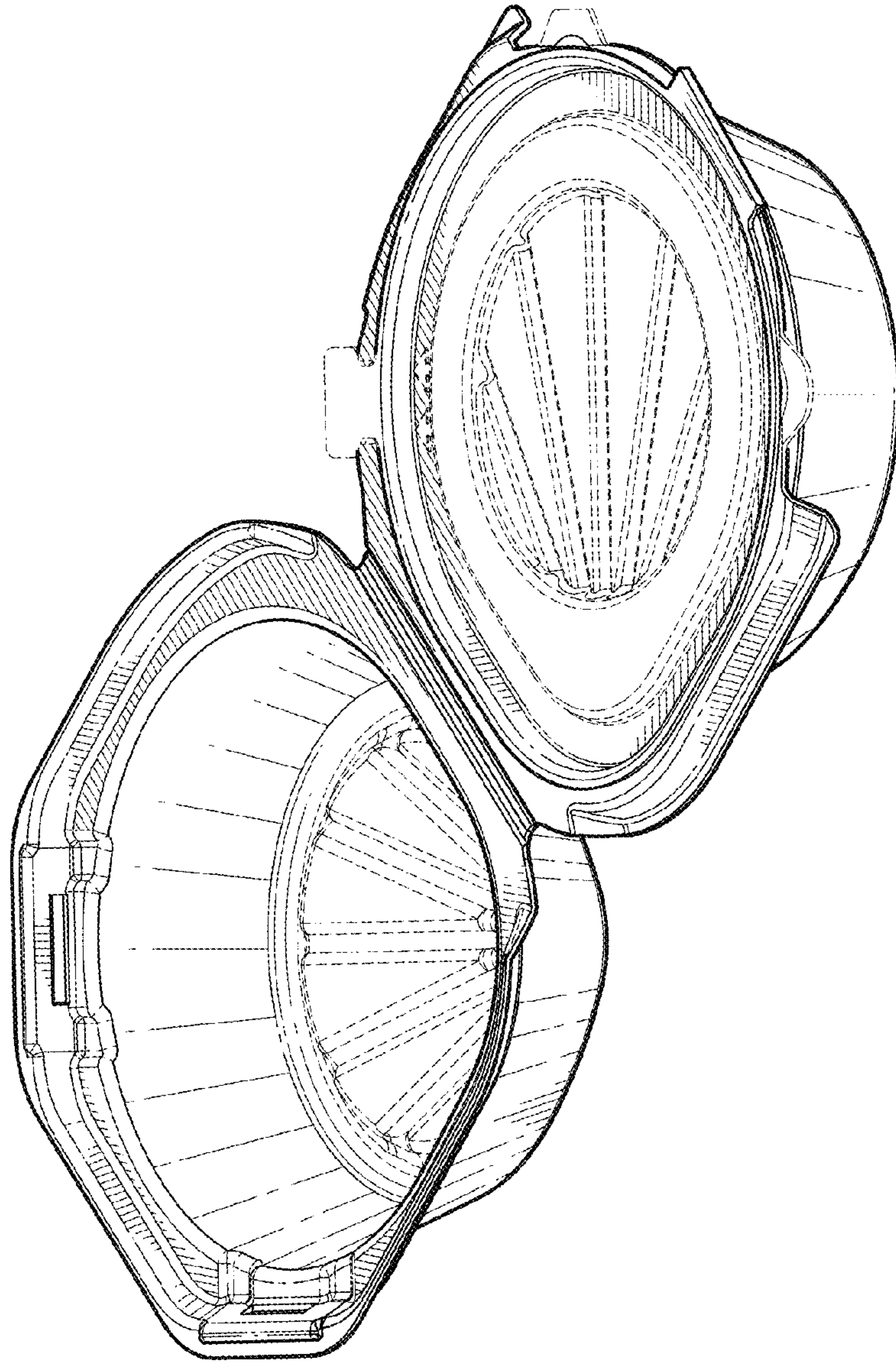


FIG. 8

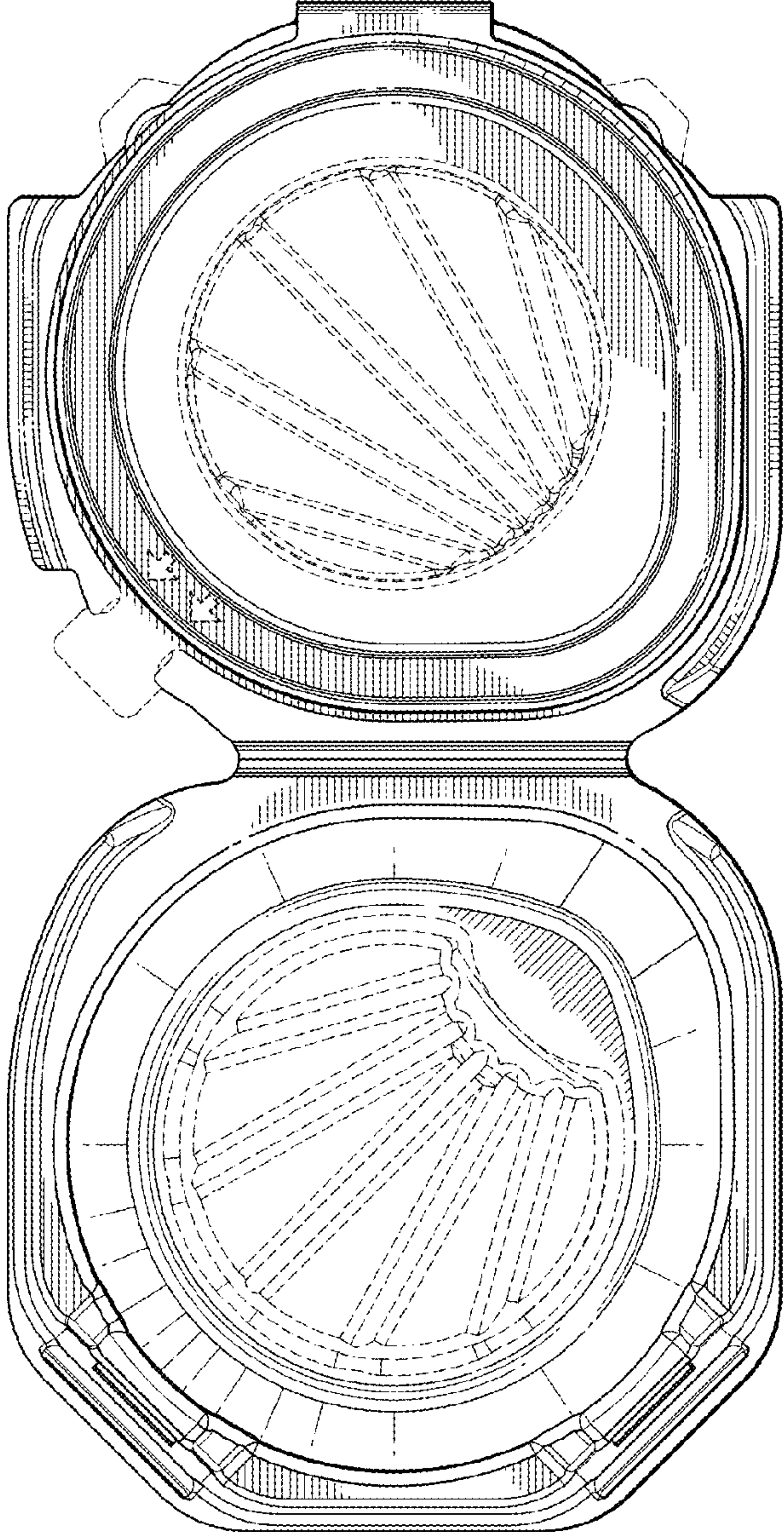


FIG. 9

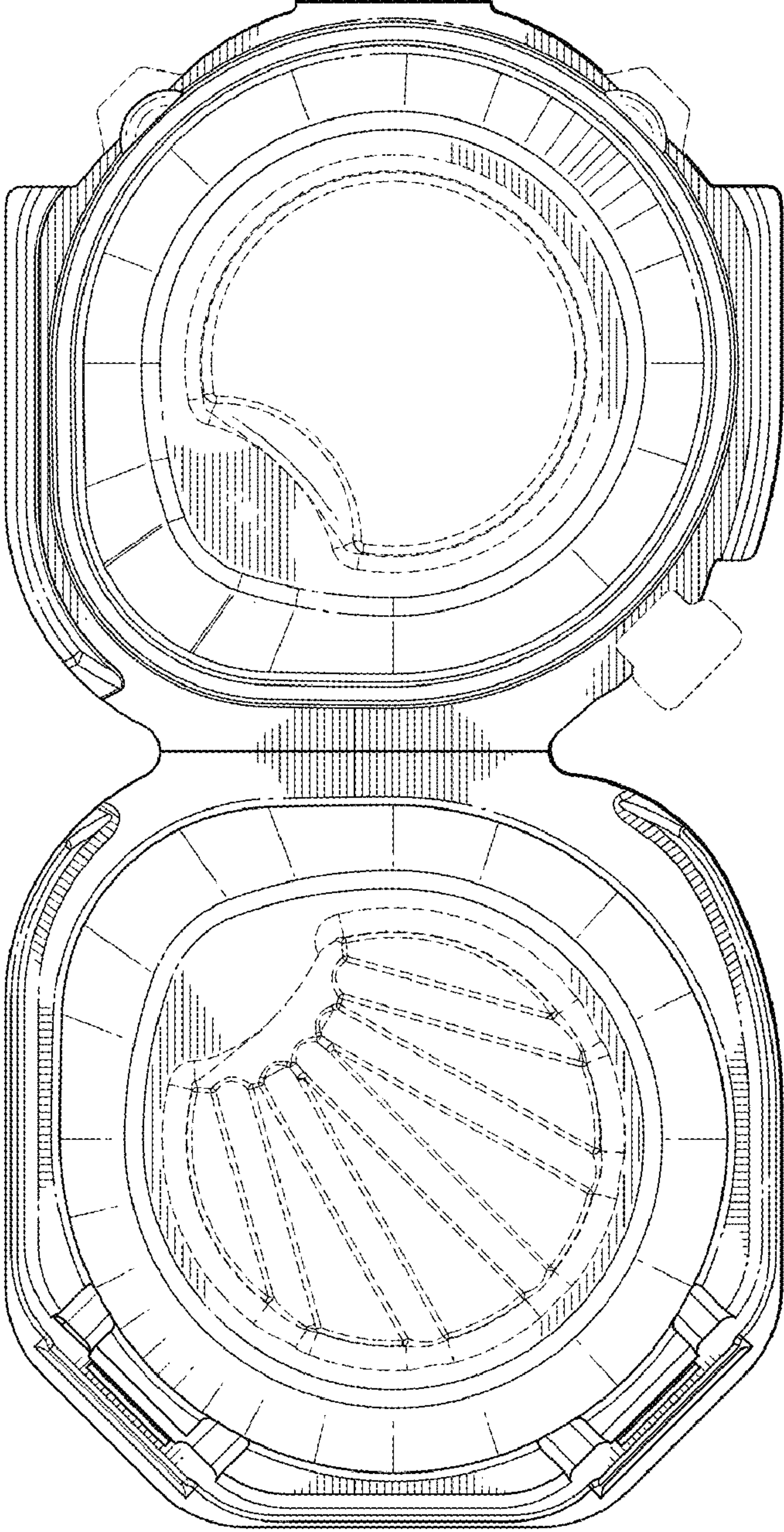


FIG. 10

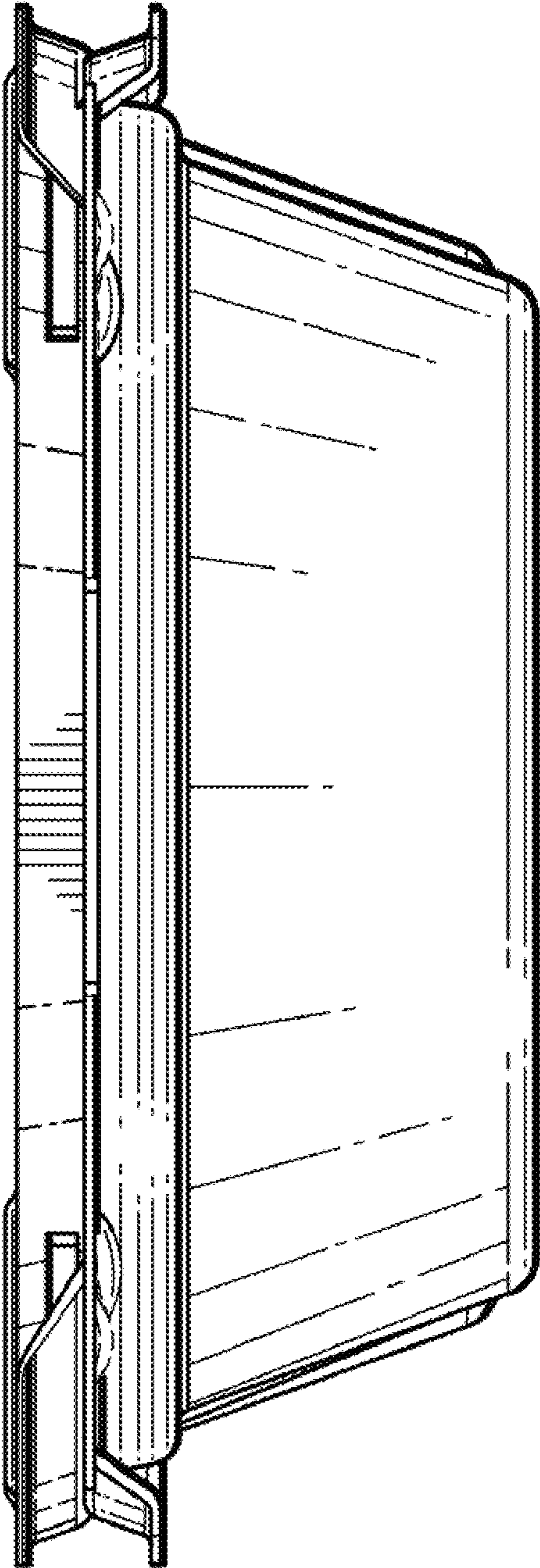


FIG. 11

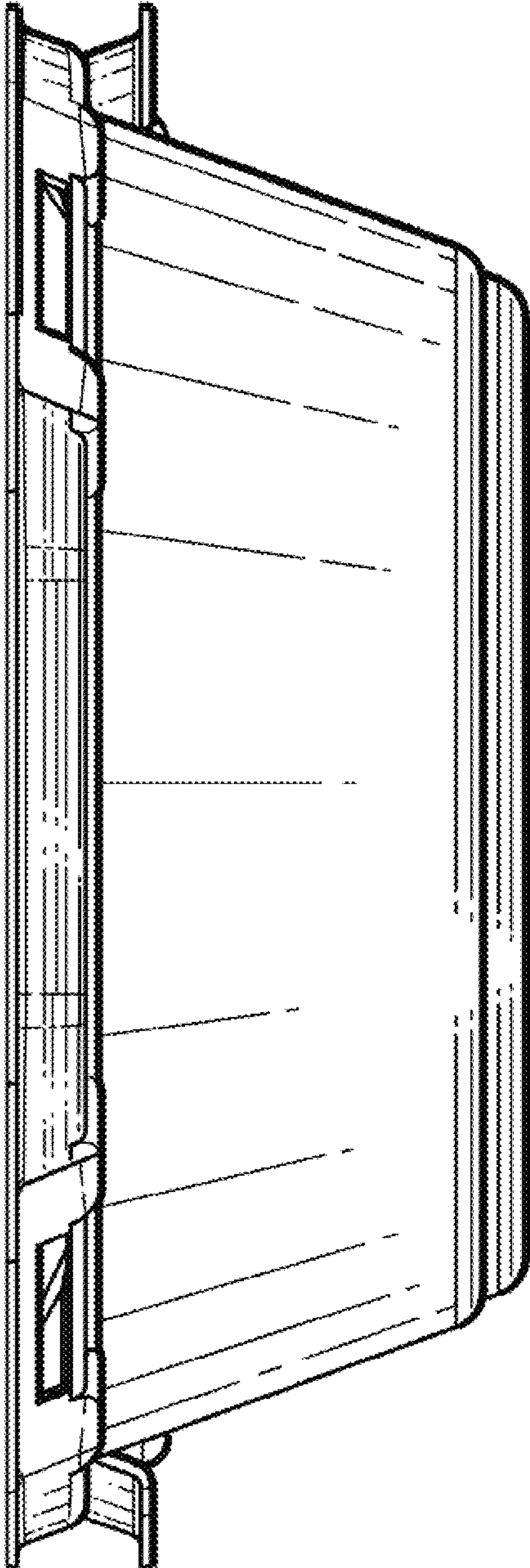


FIG. 12

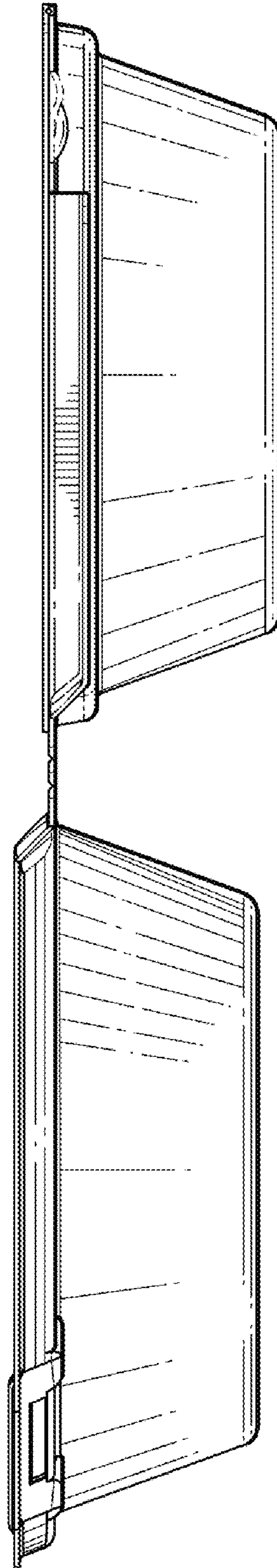


FIG. 13

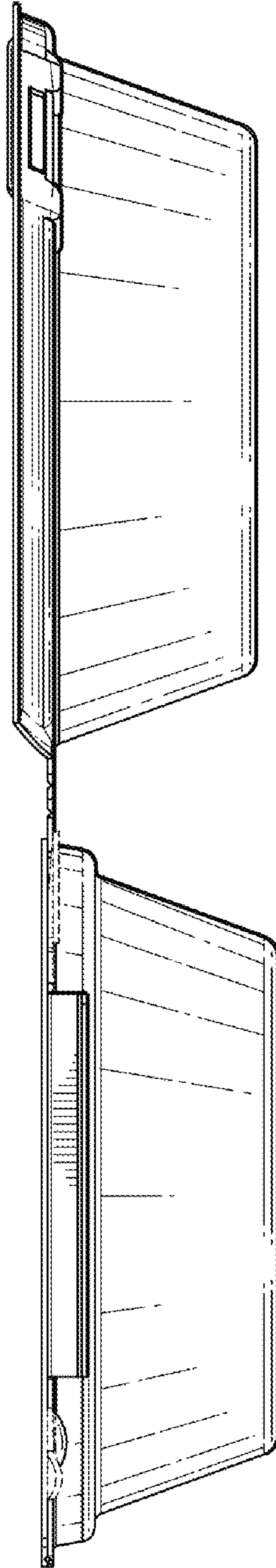


FIG. 14

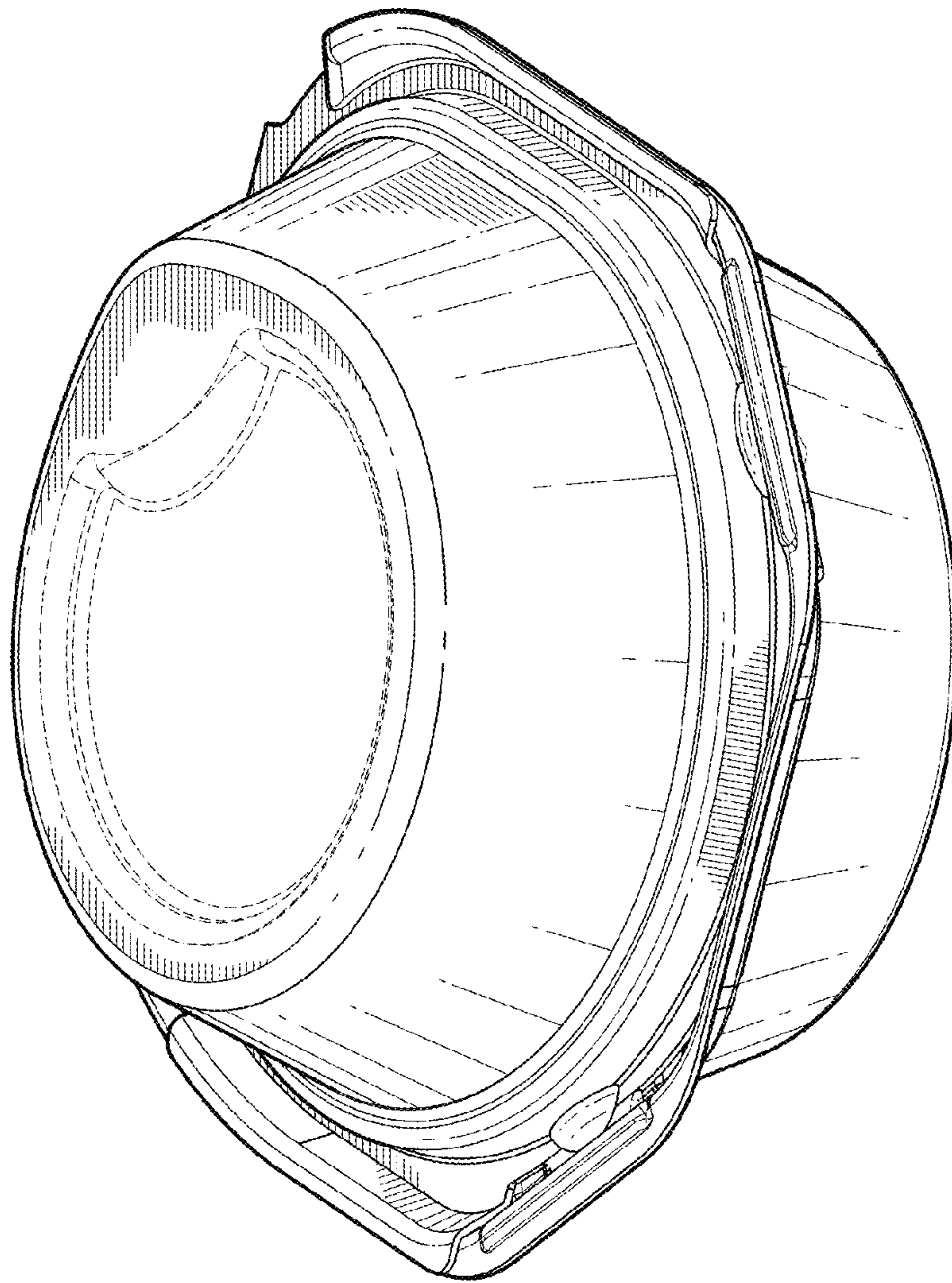


FIG. 15

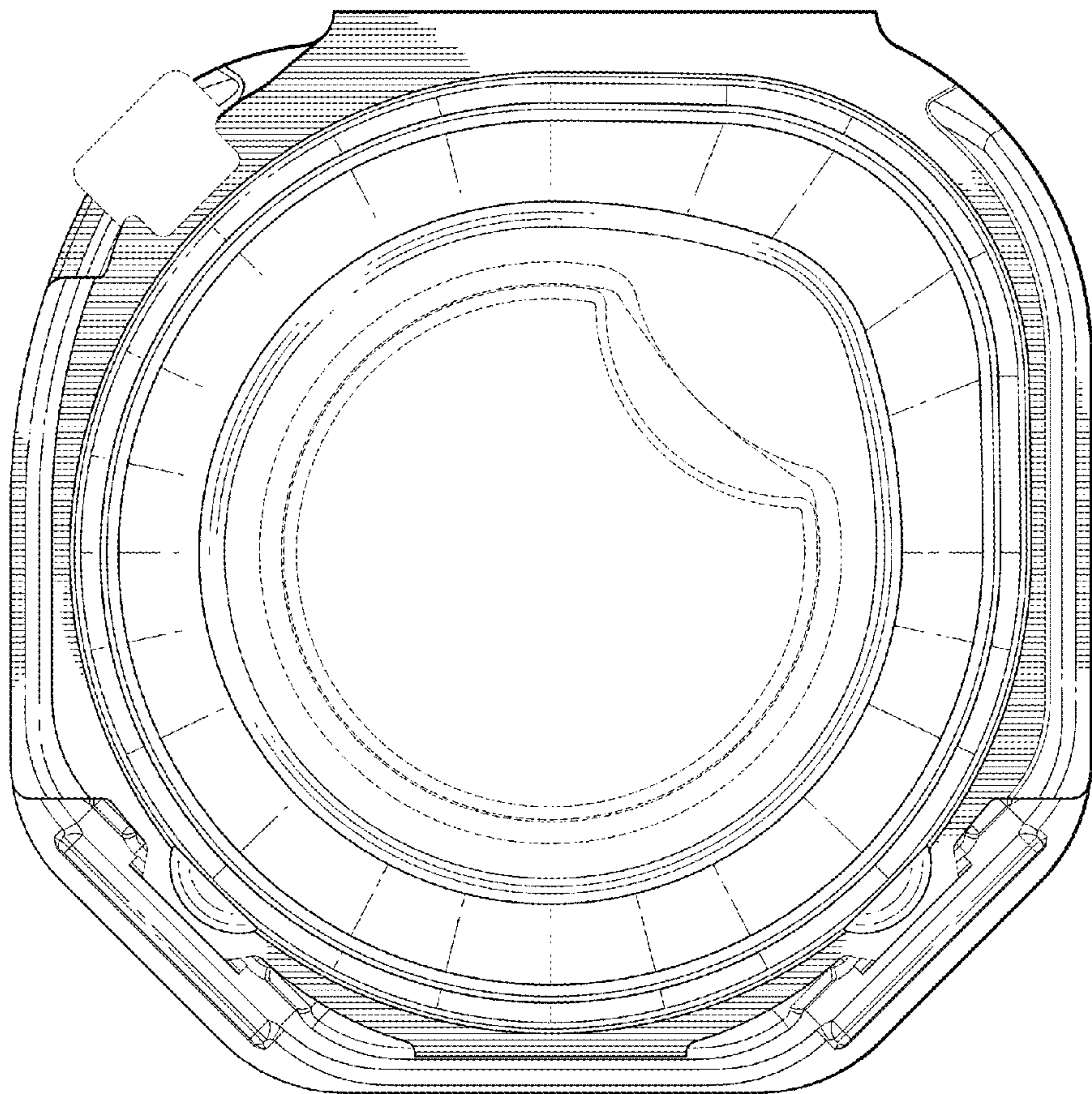


FIG. 16

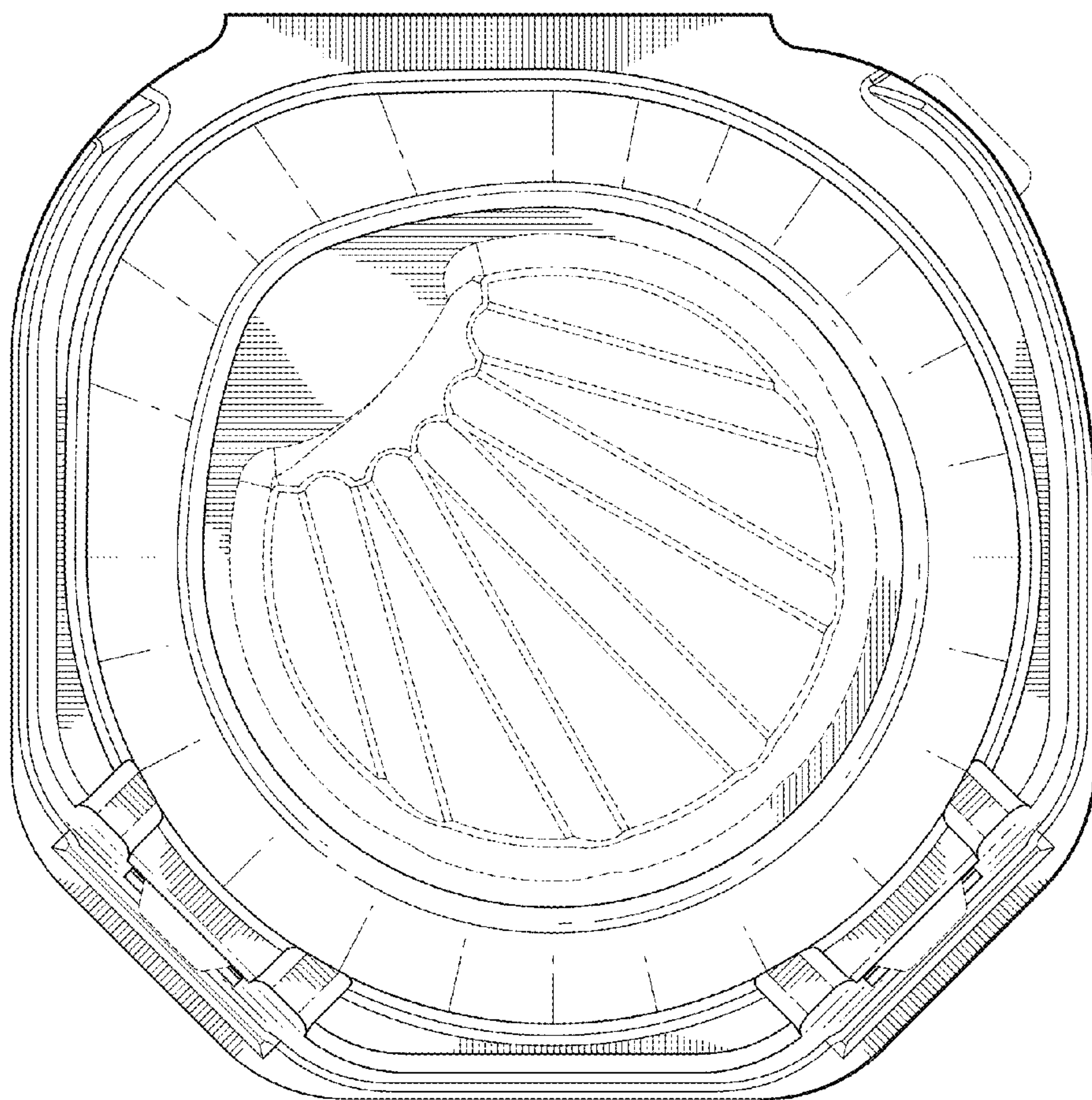


FIG. 17

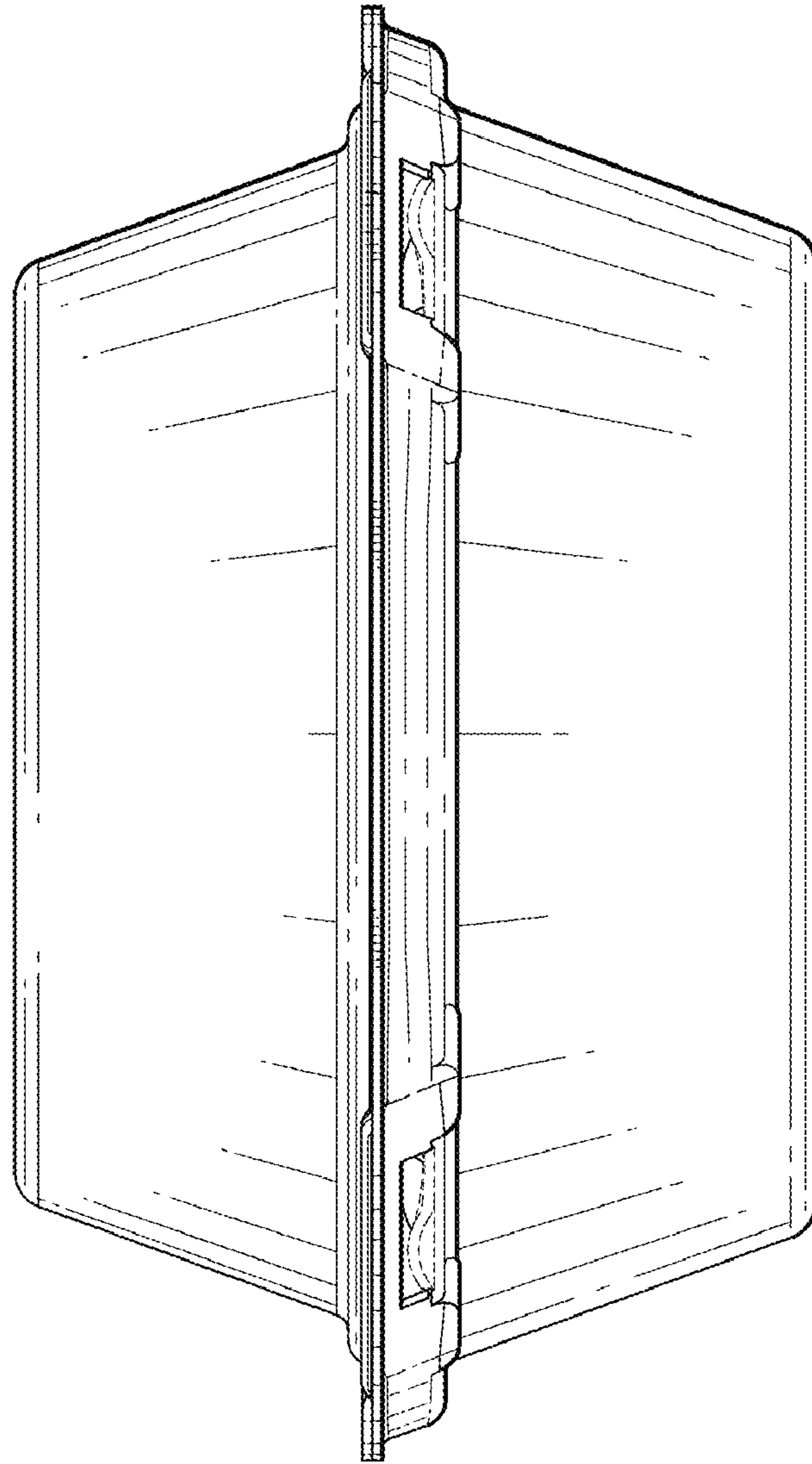


FIG. 18

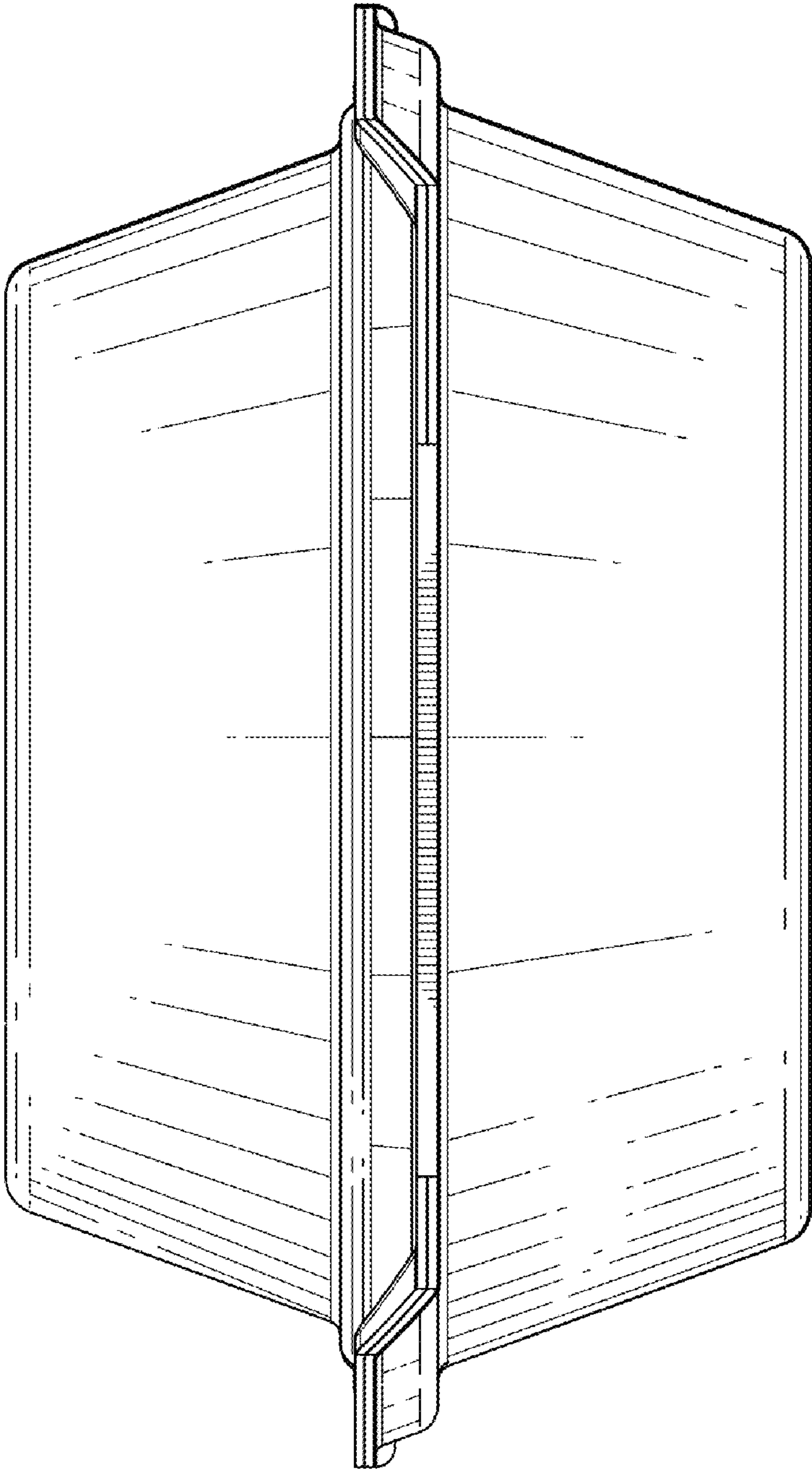


FIG. 19

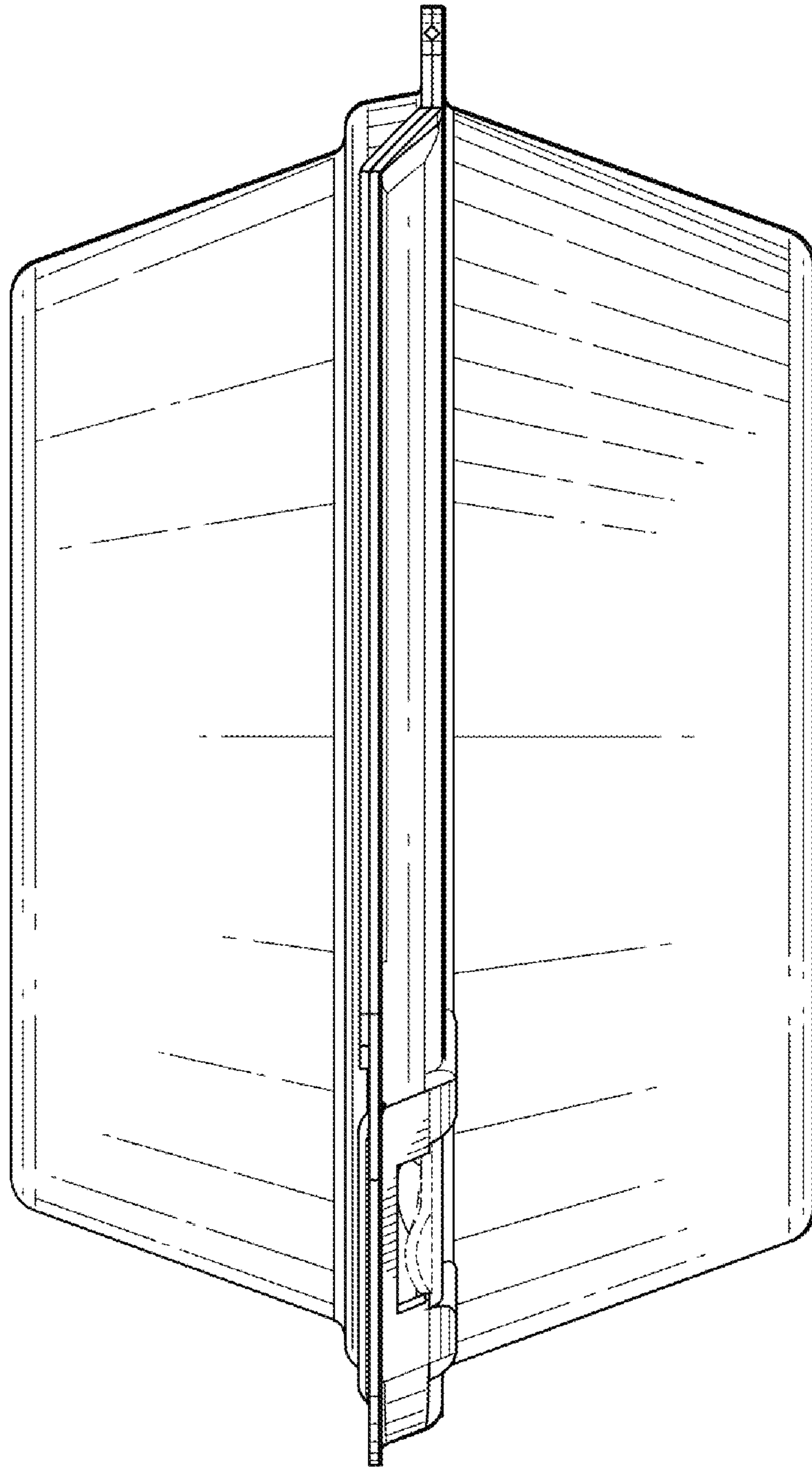


FIG. 20

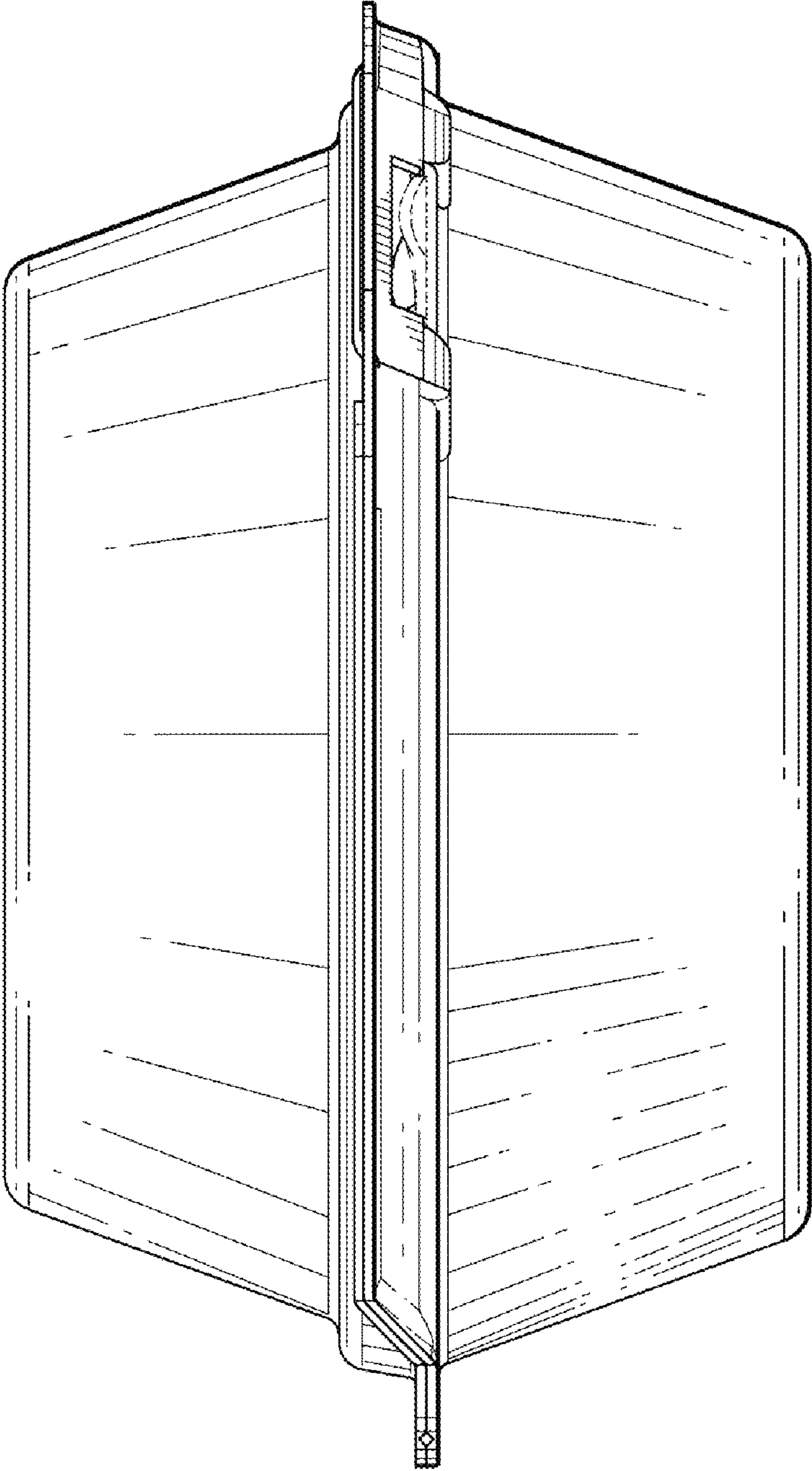


FIG. 21

UNITED STATES PATENT AND TRADEMARK OFFICE
CERTIFICATE OF CORRECTION

PATENT NO. : D679,198 S
APPLICATION NO. : 29/419131
DATED : April 2, 2013
INVENTOR(S) : John D. O'Connor et al.

Page 1 of 1

It is certified that error appears in the above-identified patent and that said Letters Patent is hereby corrected as shown below:

Title Page -

Item (75), Inventors, please delete "Patru Pusta" and substitute therefor -- Petru Pusta --.

Signed and Sealed this
Twenty-eighth Day of May, 2013



Teresa Stanek Rea
Acting Director of the United States Patent and Trademark Office