



US00D679196S

(12) **United States Design Patent**  
**Dos Santos et al.**

(10) **Patent No.:** **US D679,196 S**  
(45) **Date of Patent:** **\*\* Apr. 2, 2013**

(54) **DOG BONE BLISTER OF A BLISTER PACK**  
(75) Inventors: **Antonio Dos Santos**, Saint-Laurent  
(CA); **Panagiota Danopoulos**, Montreal  
(CA)

(73) Assignee: **Medisca Pharmaceutique Inc.**,  
Saint-Laurent, Quebec (CA)

(\*\*) Term: **14 Years**

(21) Appl. No.: **29/420,133**

(22) Filed: **May 4, 2012**

(51) **LOC (9) Cl.** ..... **09-03**

(52) **U.S. Cl.** ..... **D9/732**

(58) **Field of Classification Search** ..... D9/416,  
D9/418, 419, 424, 427, 428, 437, 609, 644,  
D9/653, 658, 736-762, 902; 206/365, 461-471,  
206/484, 485, 486, 493, 528, 531, 532, 534,  
206/538, 539, 775-783; D24/121, 227, 229,  
D24/224; D7/538, 541, 546, 549, 553.6,  
D7/553.3, 557, 586, 628; D3/203.2, 203.3,  
D3/271.1, 271.2, 310, 309, 311, 312, 313  
See application file for complete search history.

(56) **References Cited**

**U.S. PATENT DOCUMENTS**

D476,808 S \* 7/2003 Carr ..... D3/271.2  
D481,867 S \* 11/2003 Hotz ..... D3/271.2  
D529,279 S \* 10/2006 Parks ..... D3/203.3  
D550,996 S \* 9/2007 Edwards ..... D6/518  
D551,562 S \* 9/2007 Considine et al. .... D9/609  
D606,801 S \* 12/2009 Kirk ..... D7/354  
D611,759 S \* 3/2010 Kirk ..... D7/357

D641,248 S \* 7/2011 Steger et al. .... D9/607  
D657,924 S \* 4/2012 Soegaard ..... D32/40  
D658,820 S \* 5/2012 Stockwell ..... D30/160  
D661,895 S \* 6/2012 Kinnard ..... D3/271.2  
D665,577 S \* 8/2012 Hollinger ..... D3/271.1  
2012/0097113 A1\* 4/2012 McKinney ..... 119/707

**OTHER PUBLICATIONS**

Dog Bone Compression Shape, [online], [published on Oct. 29, 2010]. Retrieved from, <<http://www.295guys.com/content.php?cid=1816>>, p. 1.\*

\* cited by examiner

*Primary Examiner* — Stella Reid

*Assistant Examiner* — Lauren Calve

(74) *Attorney, Agent, or Firm* — Fraser Clemens Martin & Miller LLC; Jacob M. Ward

(57) **CLAIM**

The ornamental design for a dog bone blister of a blister pack, as shown and described.

**DESCRIPTION**

FIG. 1 is a top perspective view of a dog bone blister of a blister pack;

FIG. 2 is a bottom perspective view thereof;

FIG. 3 is a front elevational view thereof;

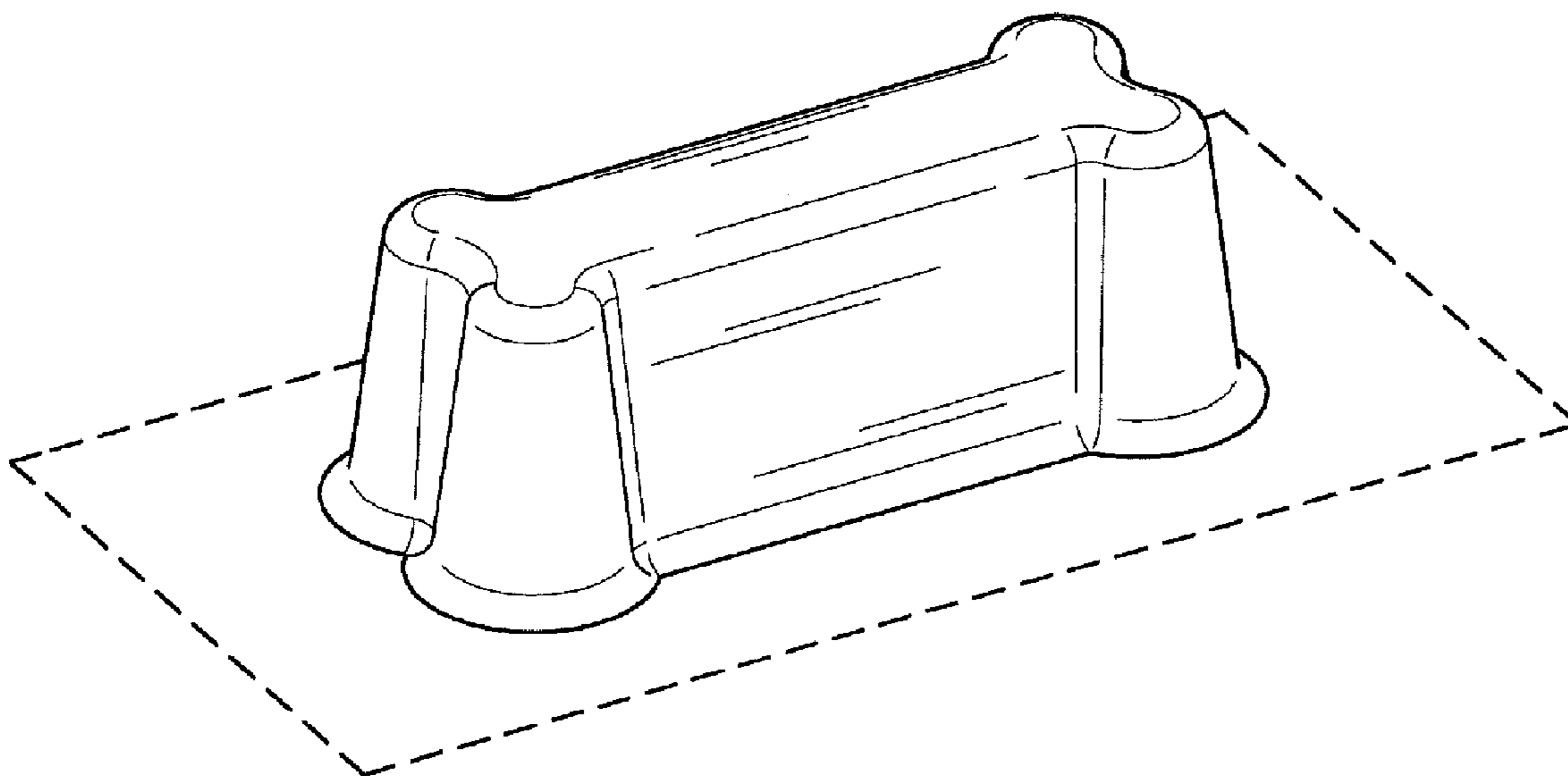
FIG. 4 is a top plan view thereof; and,

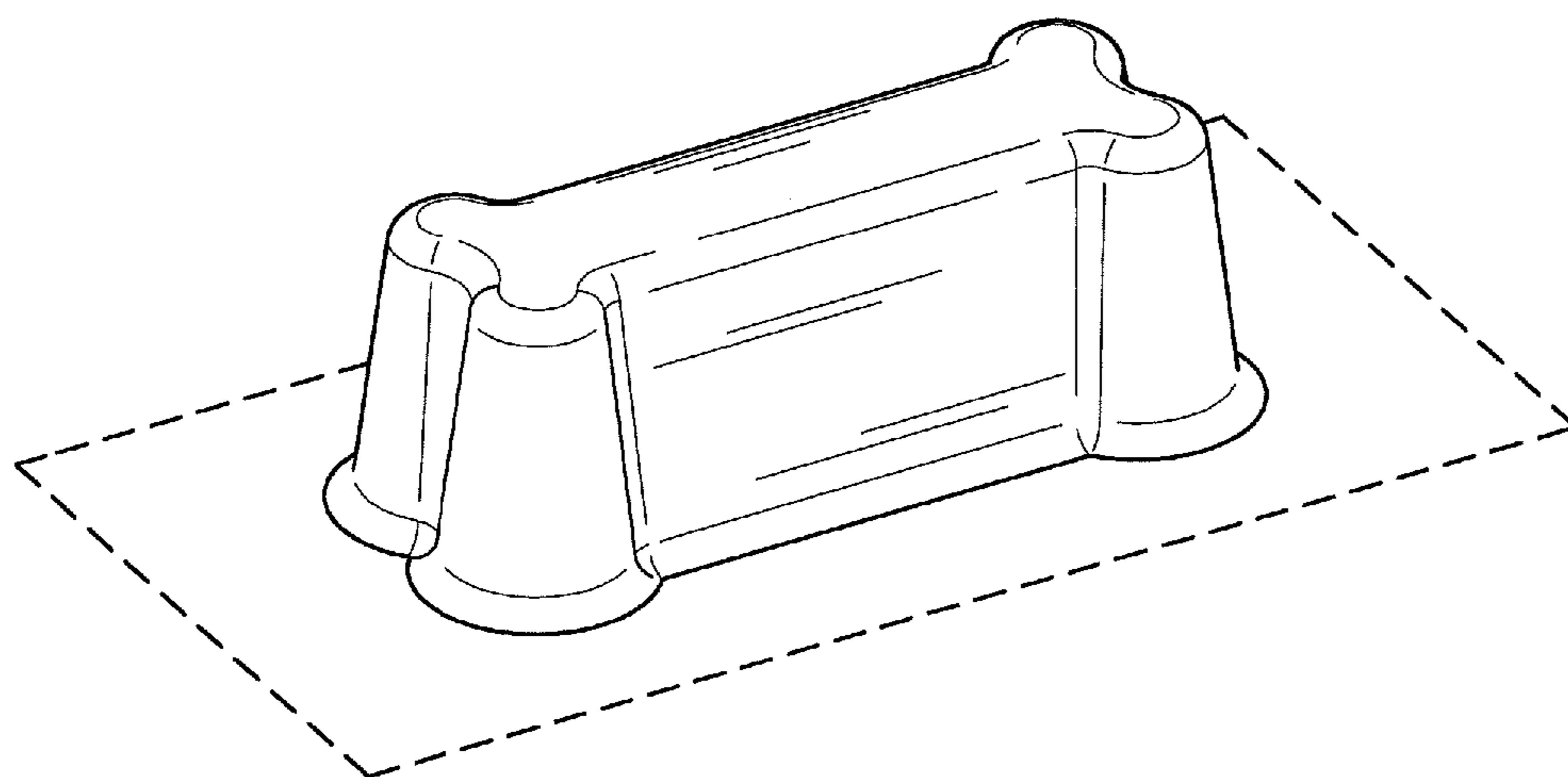
FIG. 5 is a right side elevational view thereof.

A rear elevational view is not shown because it is identical to the front elevational view shown in FIG. 3. A left side elevational view is not shown because it is identical to the right side elevational view shown in FIG. 5.

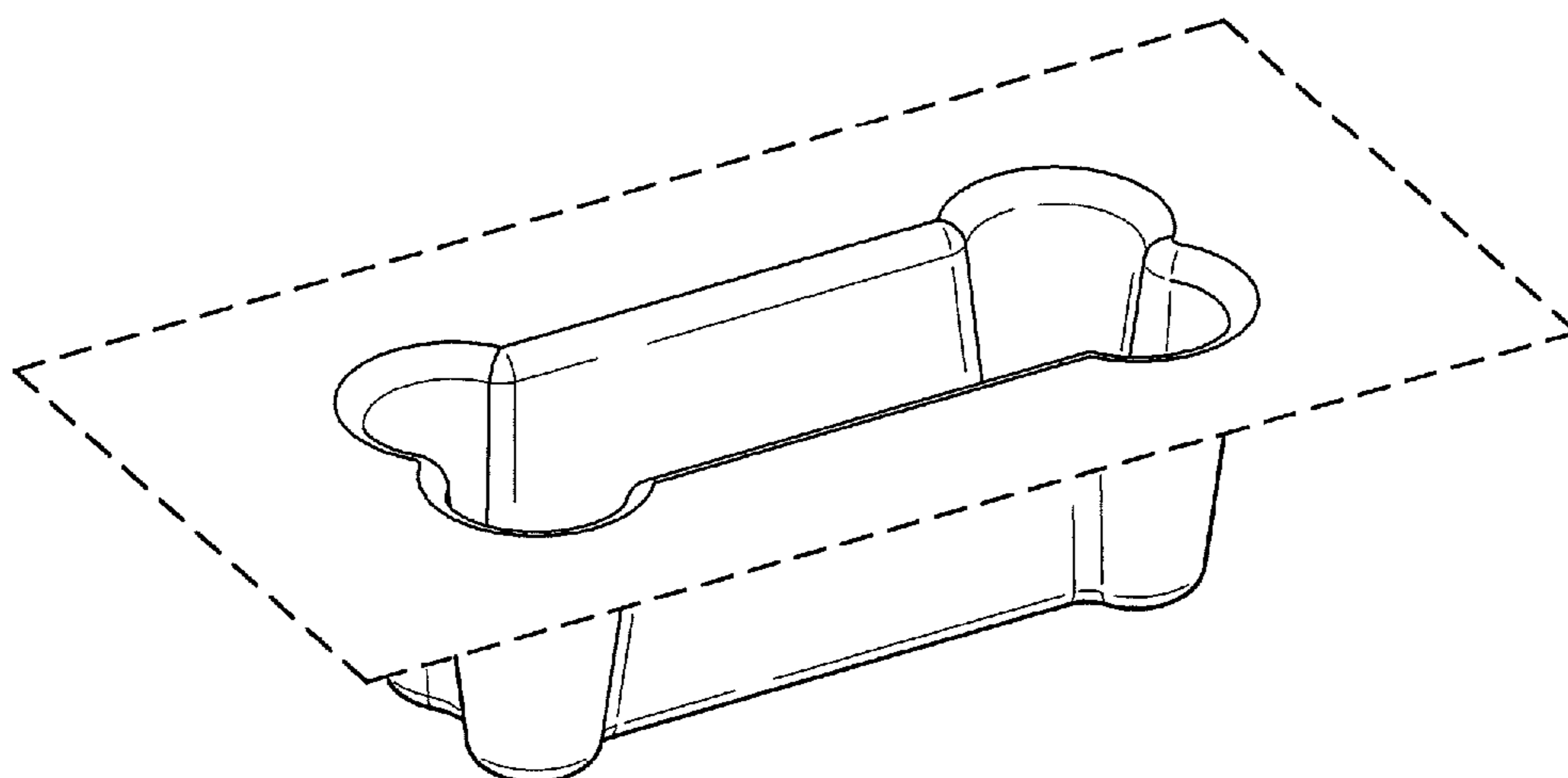
The broken lines framing the dog bone blister for a blister pack is included for the purpose of illustrating environment and forms no part of the claimed design.

**1 Claim, 2 Drawing Sheets**

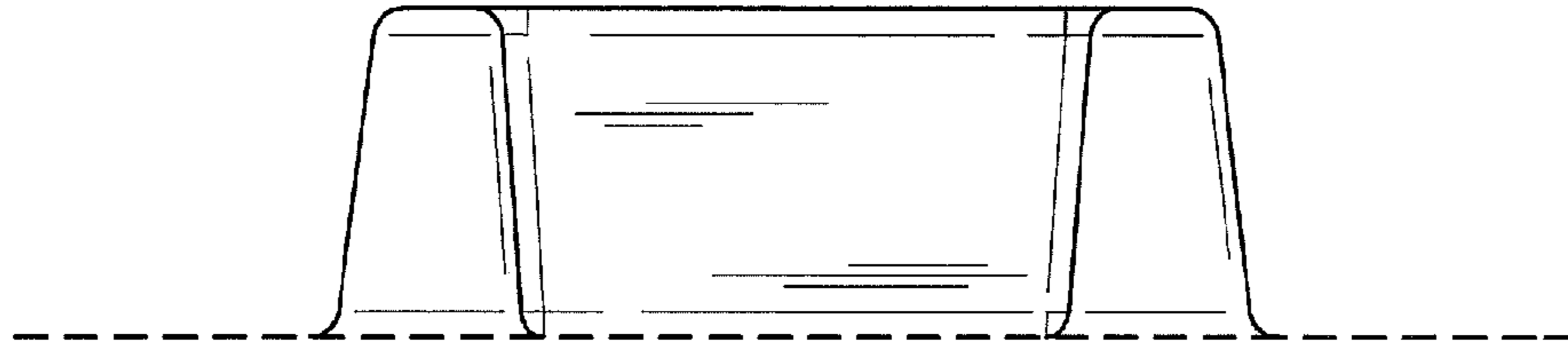




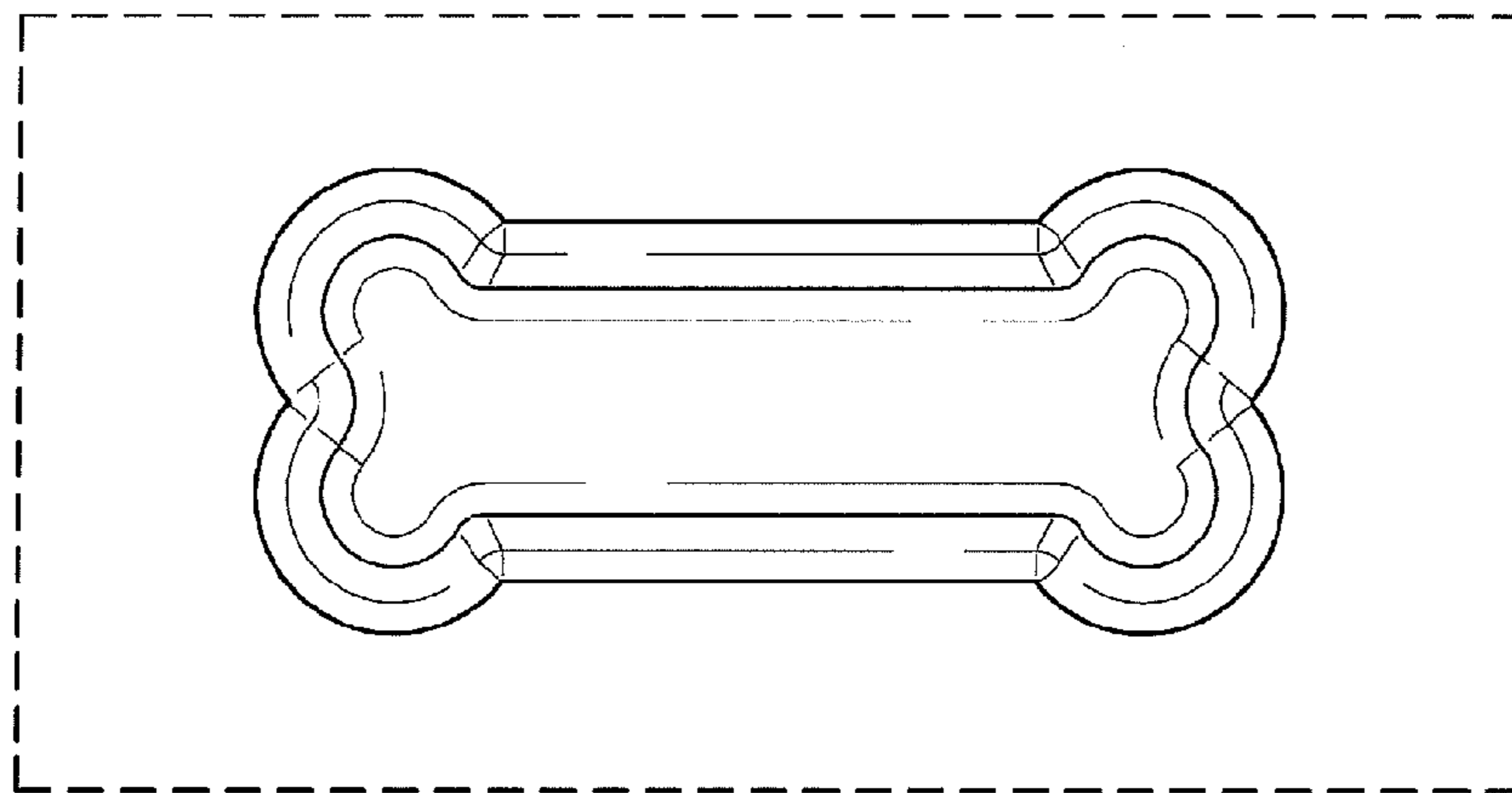
**FIG. 1**



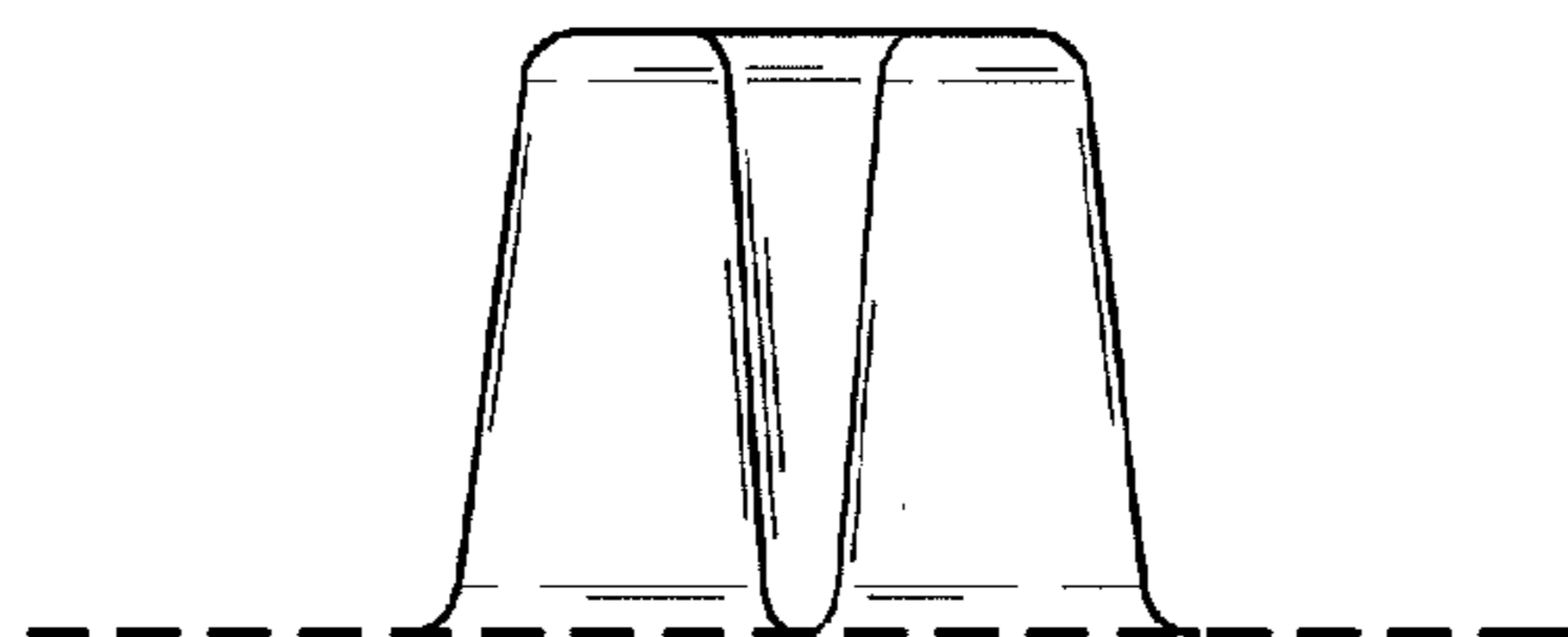
**FIG. 2**



**FIG. 3**



**FIG. 4**



**FIG. 5**