



US00D679195S

(12) **United States Design Patent**
Markham

(10) **Patent No.:** **US D679,195 S**
(45) **Date of Patent:** **** Apr. 2, 2013**

(54) **CLAM-SHAPED CONTAINER**

(75) Inventor: **Ryan Markham**, Kailua, HI (US)

(73) Assignee: **Clamworld Enterprises Inc.**, Kailua, HI (US)

(**) Term: **14 Years**

(21) Appl. No.: **29/411,156**

(22) Filed: **Jan. 17, 2012**

(51) **LOC (9) Cl.** **09-01**

(52) **U.S. Cl.** **D9/666**

(58) **Field of Classification Search** D9/600,
D9/666, 414, 420, 423; D7/511, 514-515,
D7/518, 521, 392.1; 206/457, 527, 540;
220/890

See application file for complete search history.

(56) **References Cited**

U.S. PATENT DOCUMENTS

D166,238 S *	3/1952	Bedinger	D9/666
D178,942 S *	10/1956	Allen	D9/666
D253,514 S *	11/1979	Etelson	D9/666
D255,096 S *	5/1980	Etelson	D9/666
D259,356 S *	5/1981	Ferretti	D9/666
D263,421 S *	3/1982	Gilson	D9/666
D300,510 S *	4/1989	Mason, Jr.	D9/666
D308,021 S *	5/1990	Natori	D9/666
D373,931 S *	9/1996	Whitehead	D9/666

D437,213 S * 2/2001 Monod D9/666

* cited by examiner

Primary Examiner — Sandra Morris

(74) *Attorney, Agent, or Firm* — Morrison & Foerster LLP

(57) **CLAIM**

The ornamental design for a clam-shaped container, as shown and described.

DESCRIPTION

FIG. 1 is a perspective view of a clam-shaped container, showing my new design;

FIG. 2 is a top view of the clam-shaped container.

FIG. 3 is a front view of the clam-shaped container.

FIG. 4 is a side view of the clam-shaped container.

FIG. 5 is a bottom view of the clam-shaped container.

FIG. 6 is a plan view of a bottom portion of the clam-shaped container.

FIG. 7 is a top view of the bottom portion of the clam-shaped container.

FIG. 8 is another top view of the bottom portion of the clam-shaped container.

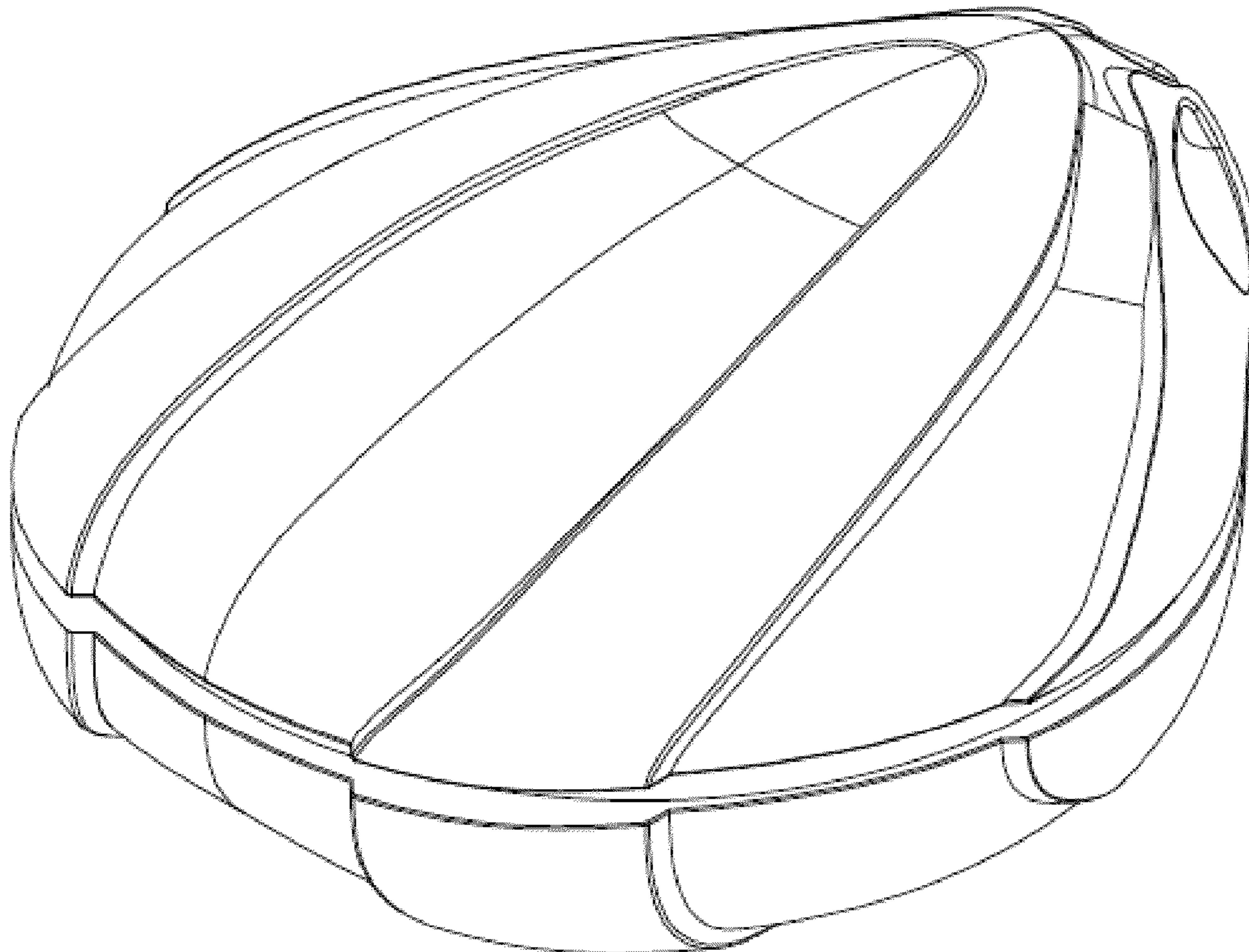
FIG. 9 is a cross-sectional view of the bottom portion of the clam-shaped container of FIG. 8 cut along line A.

FIG. 10 is a top view of a top portion of the clam-shaped container.

FIG. 11 is another top view of the top portion of the clam-shaped container; and,

FIG. 12 is a cross-sectional view of the top portion of the clam-shaped container of FIG. 11 cut along line B.

1 Claim, 12 Drawing Sheets



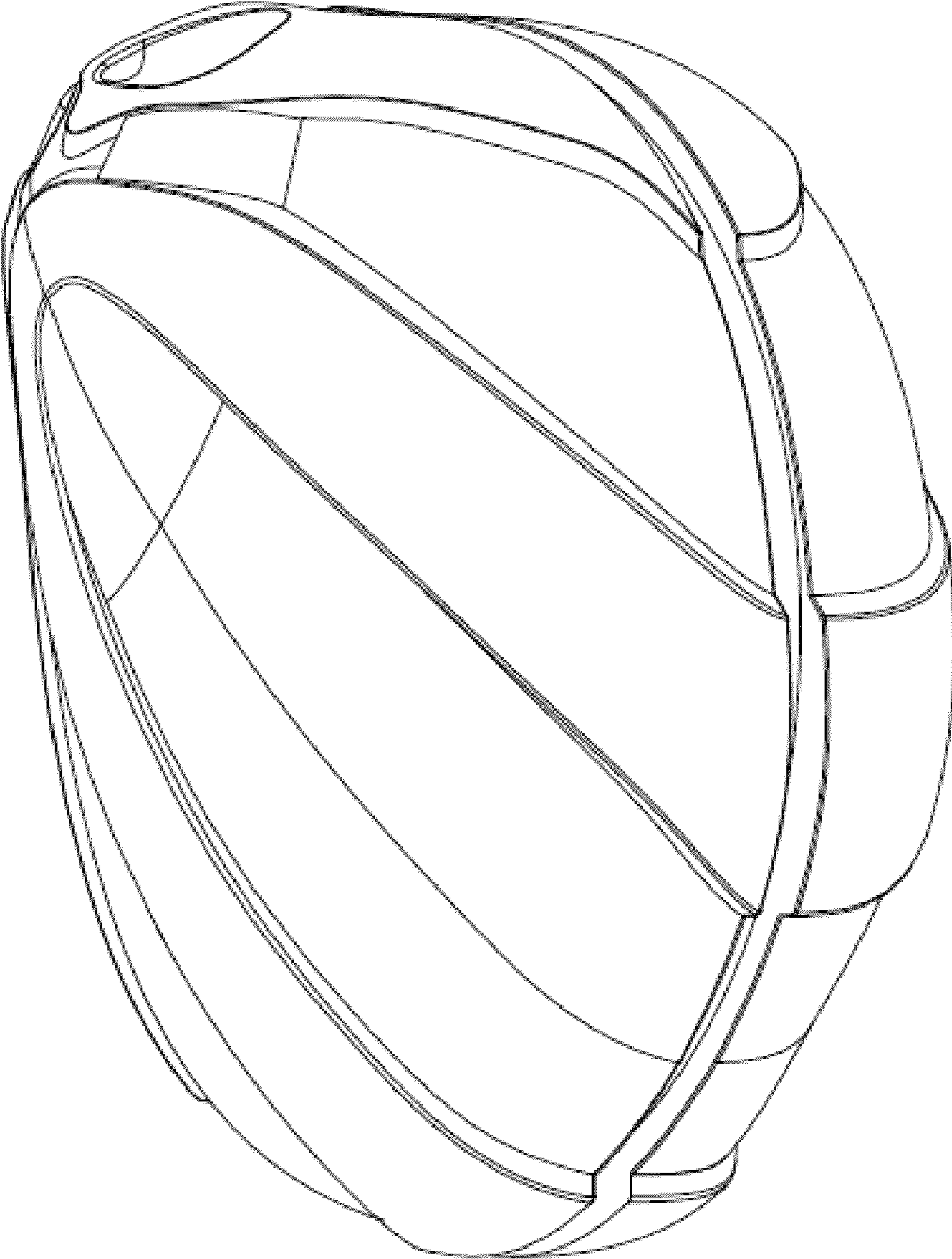


Figure 1

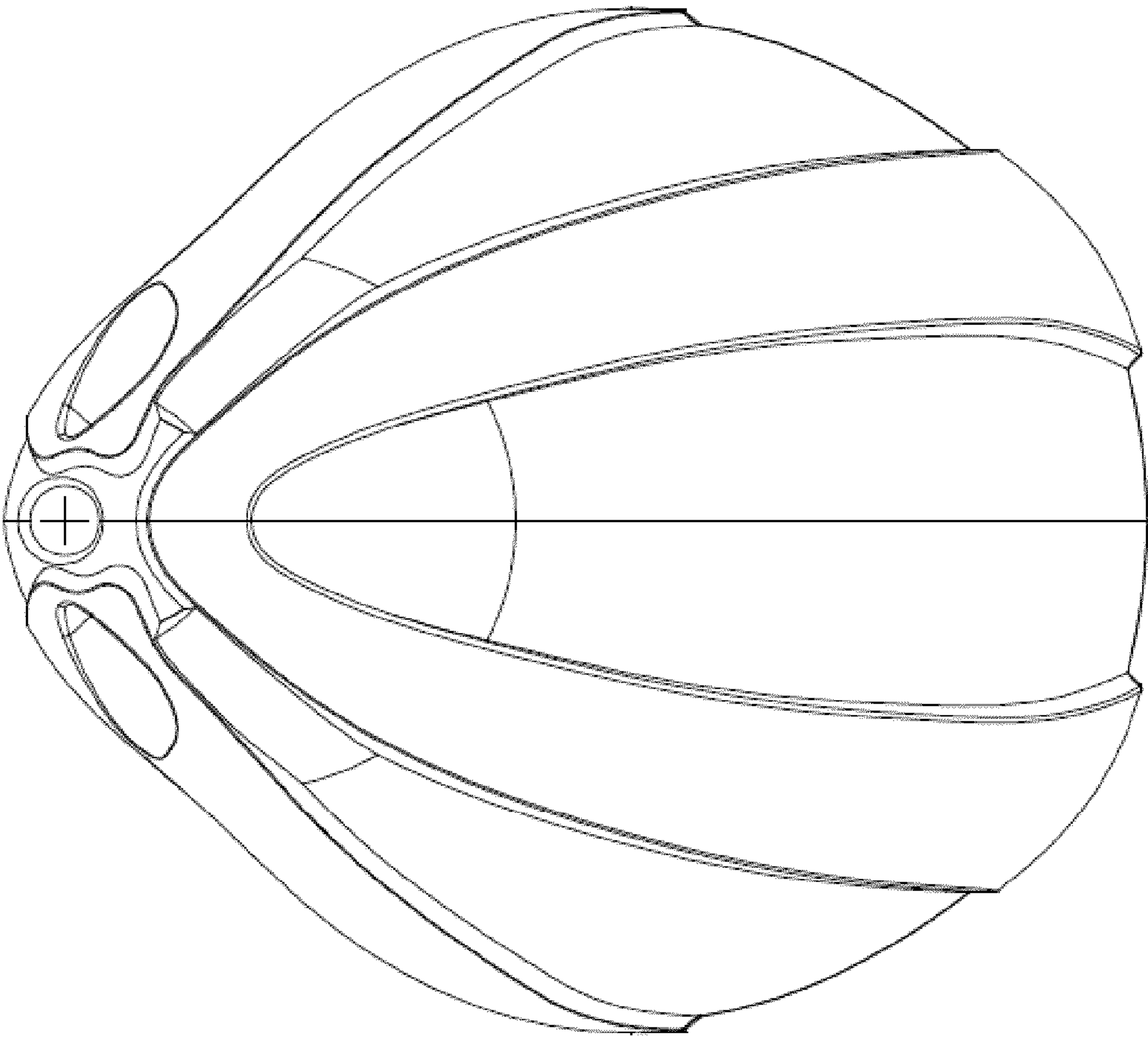


Figure 2

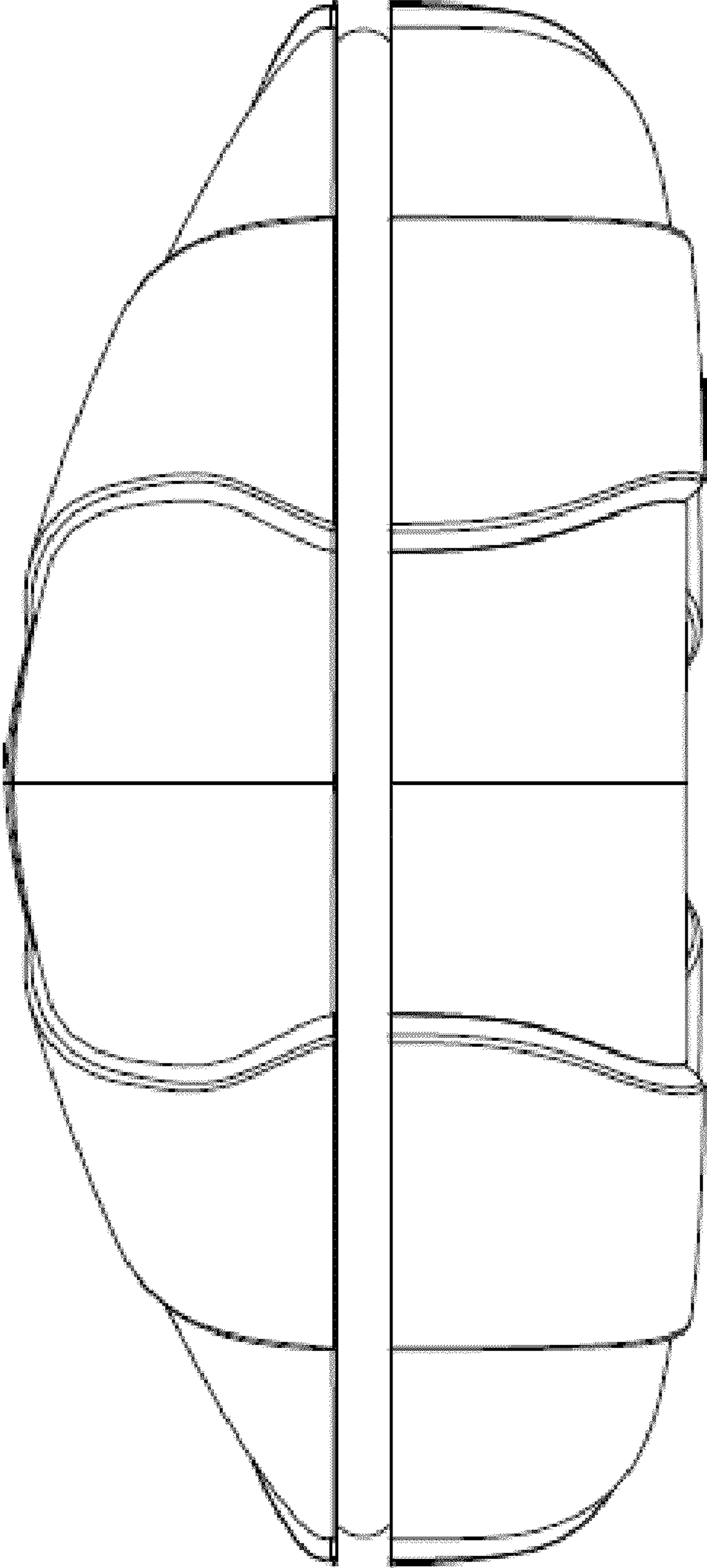


Figure 3

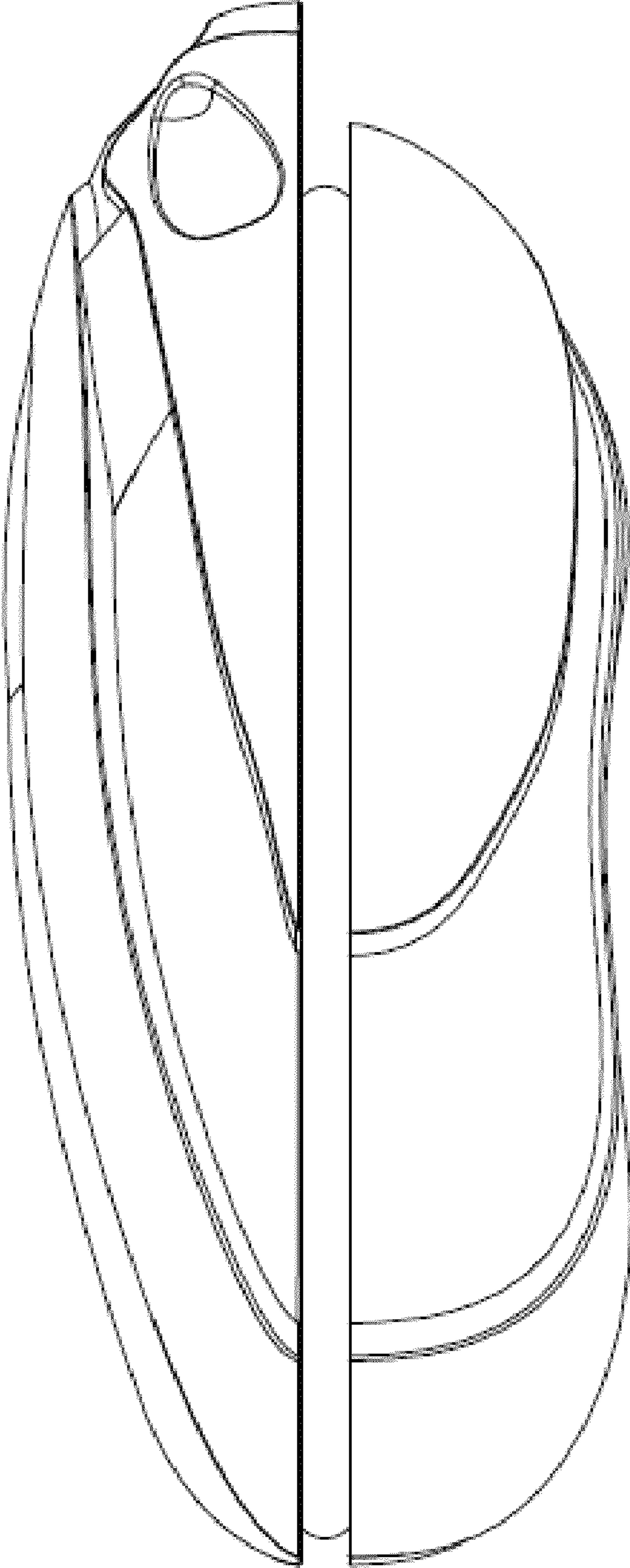


Figure 4

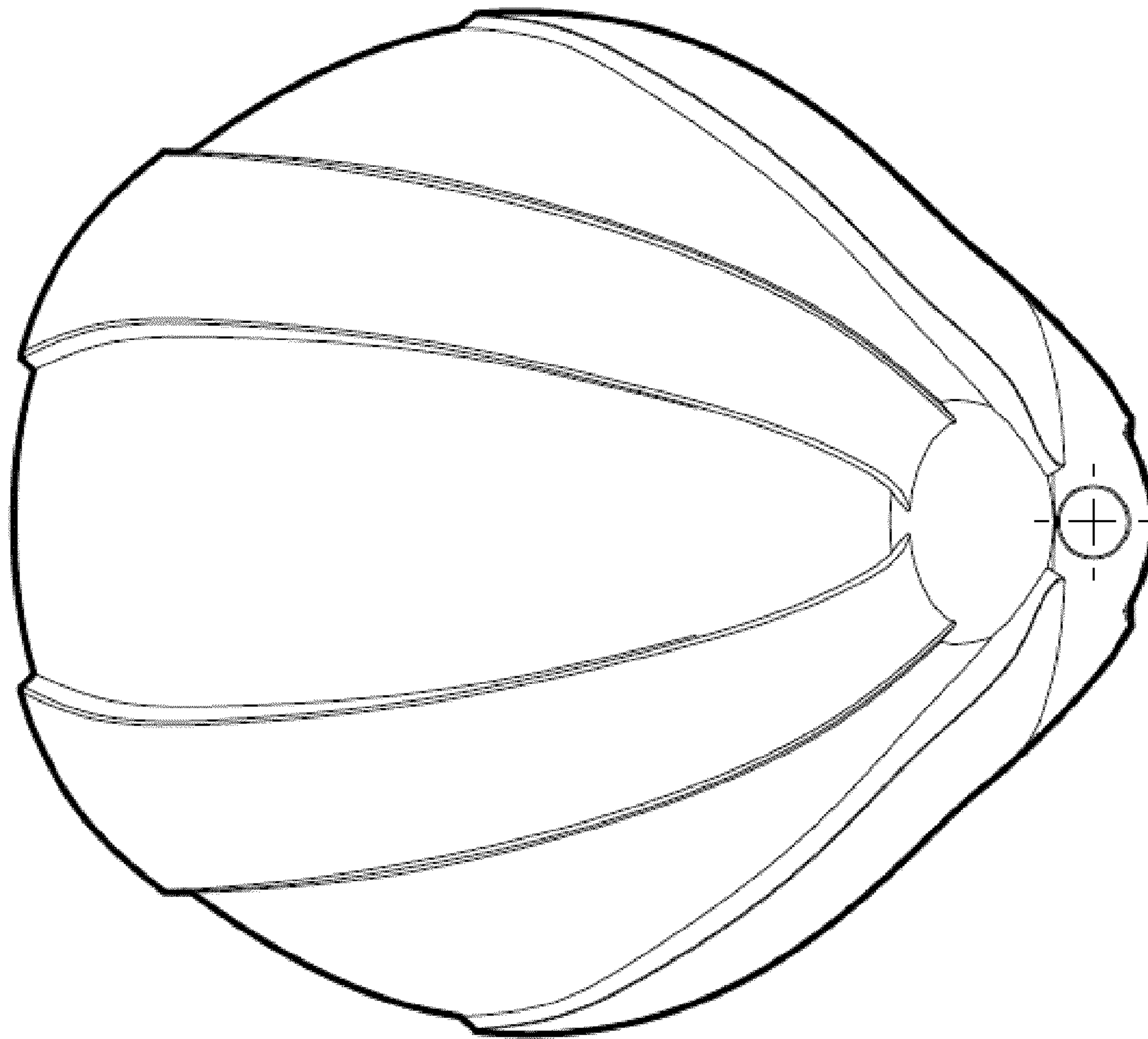


Figure 5

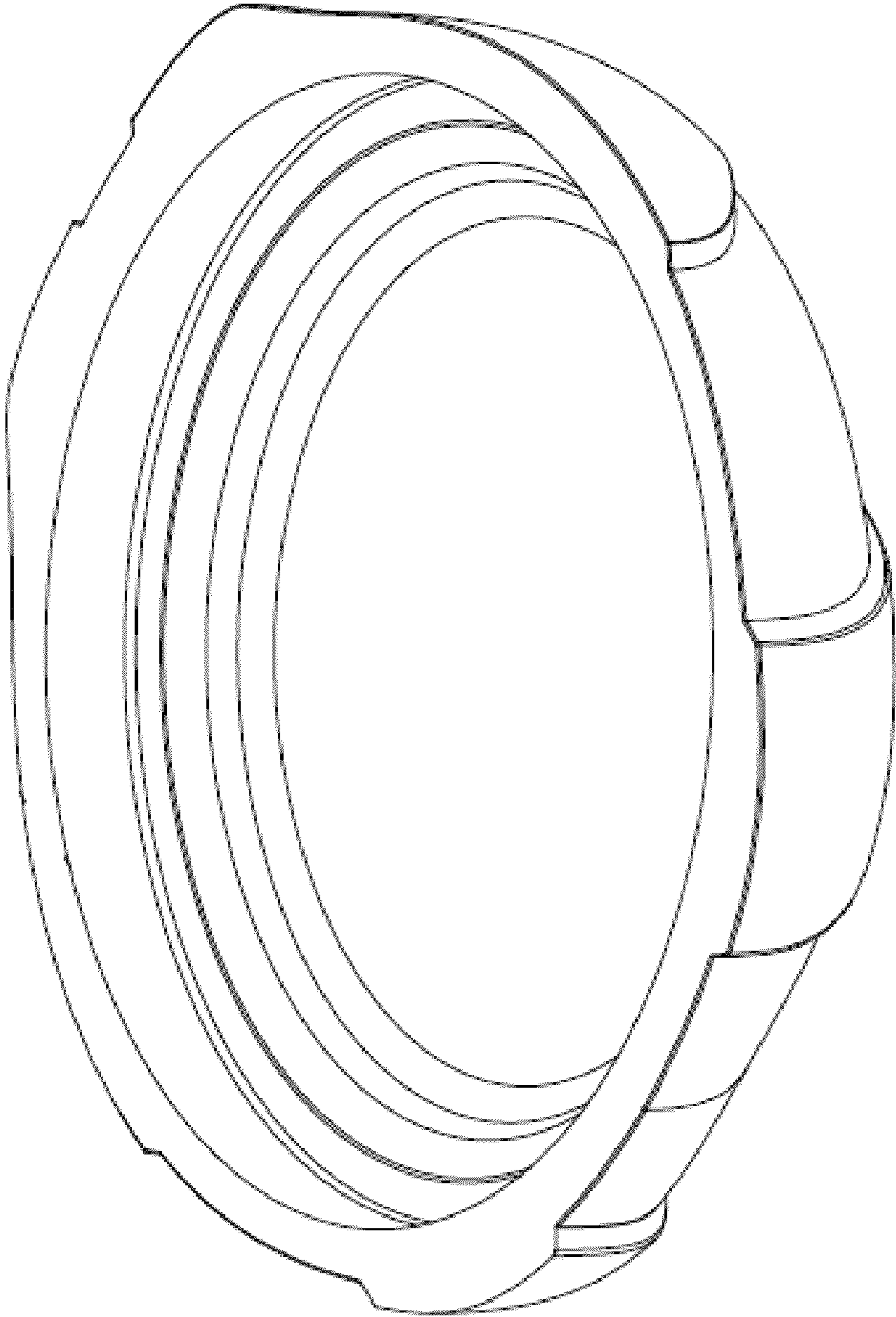


Figure 6

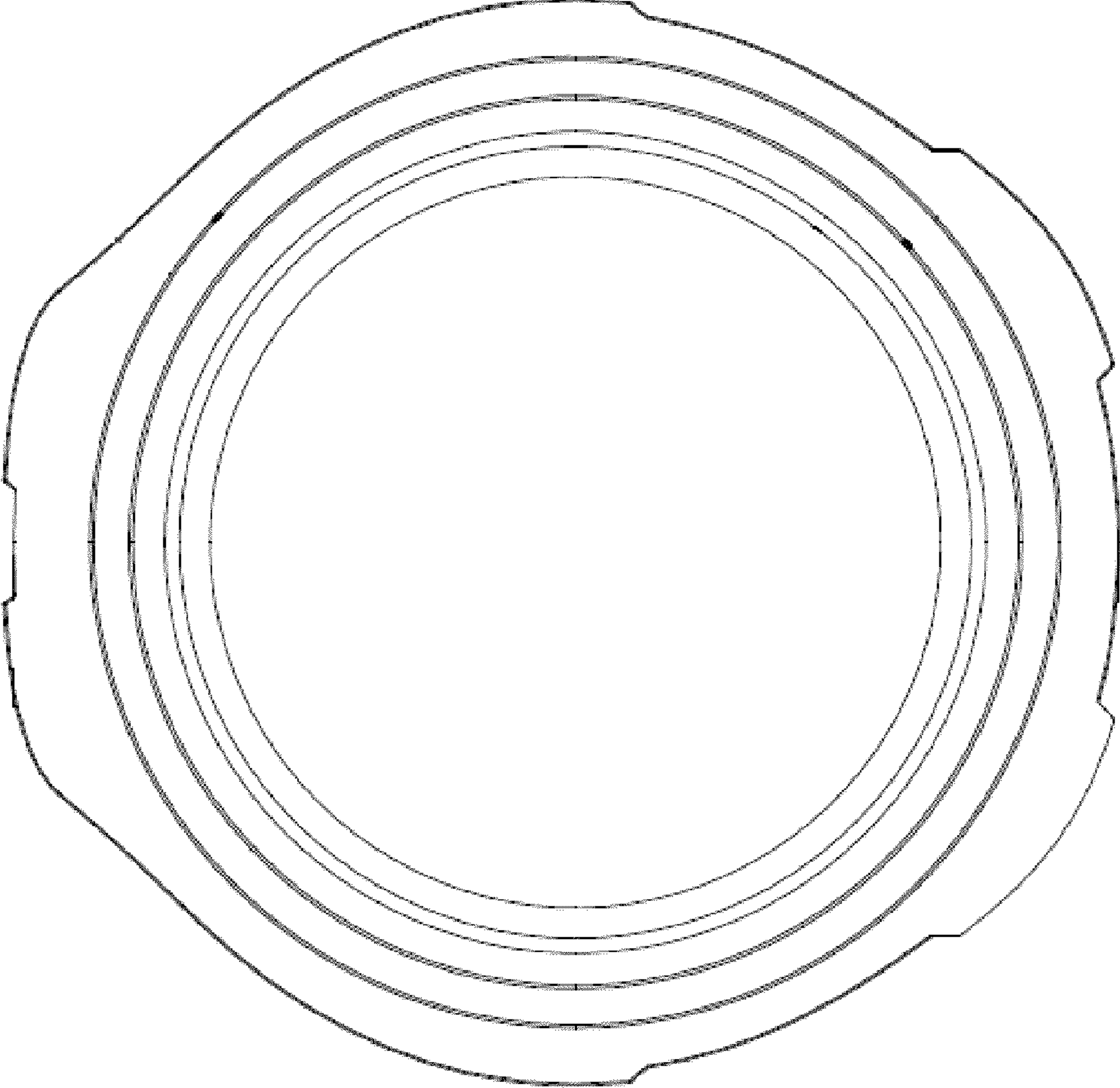


Figure 7

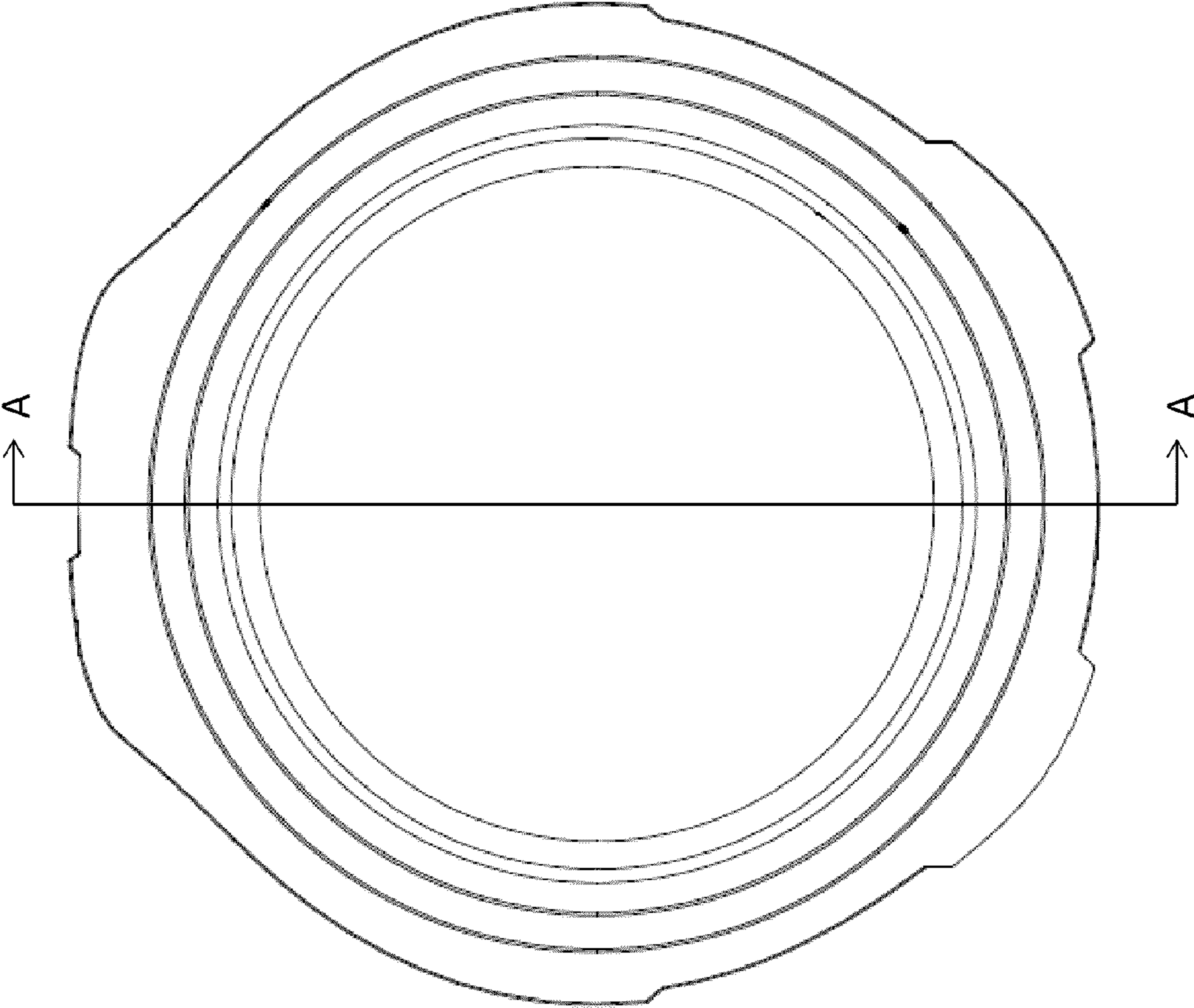


Figure 8

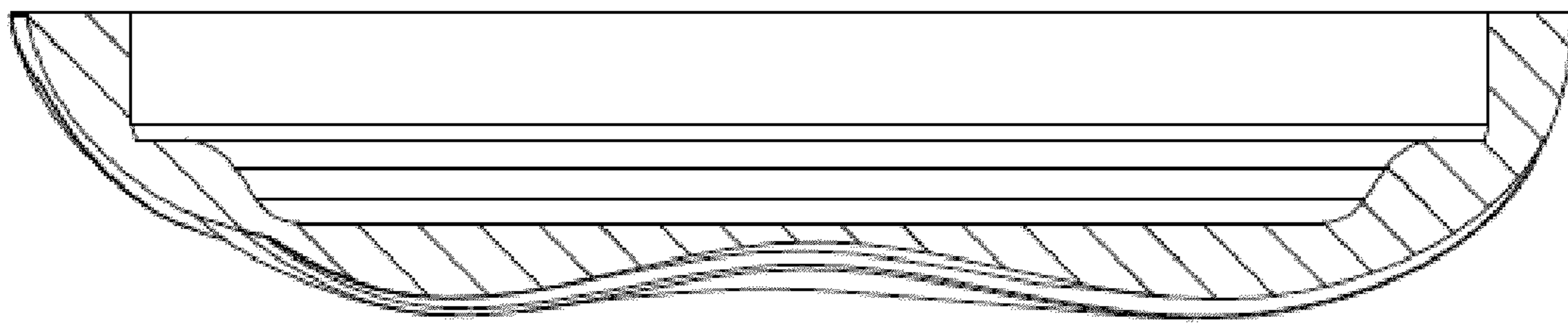


Figure 9

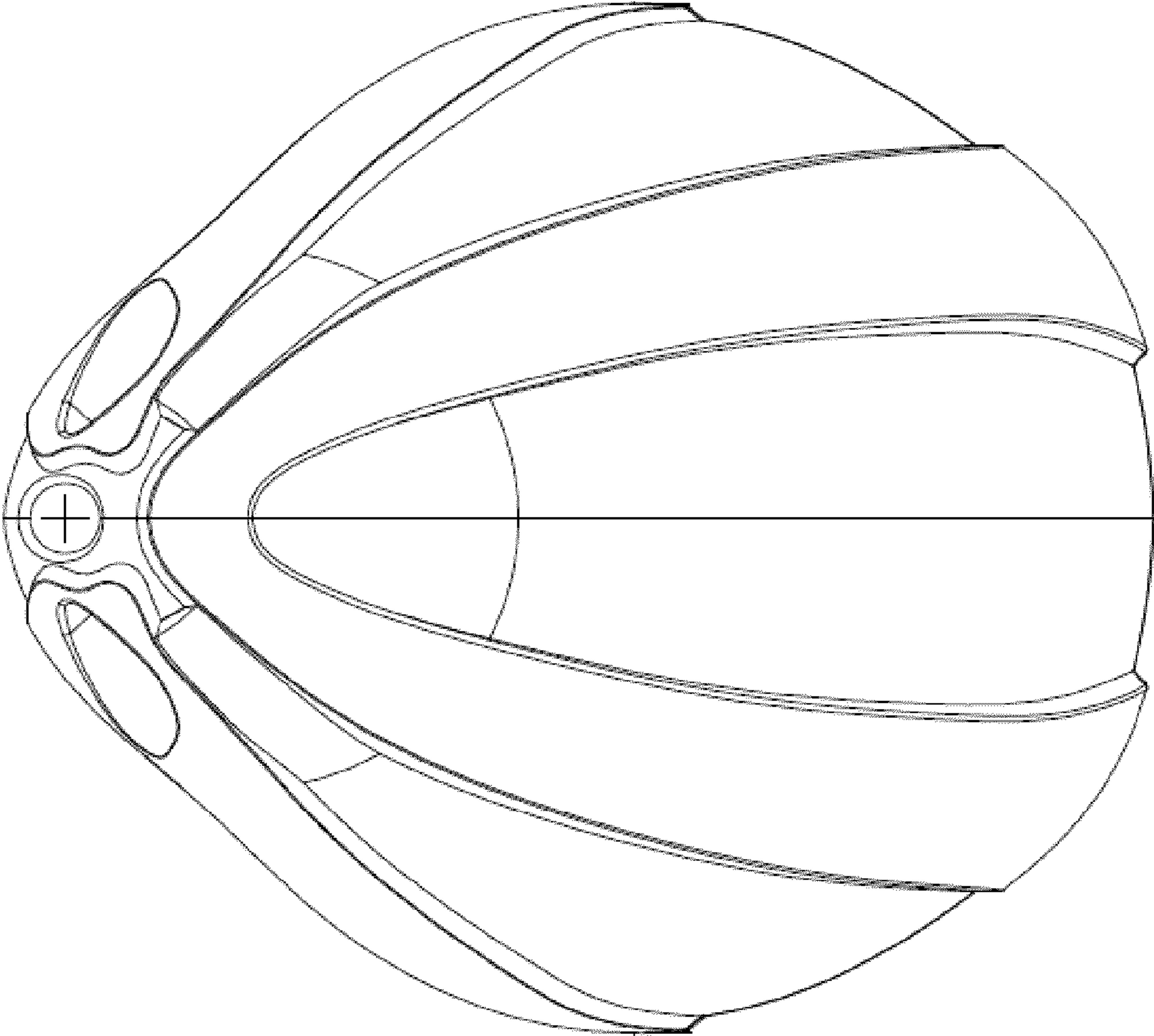


Figure 10

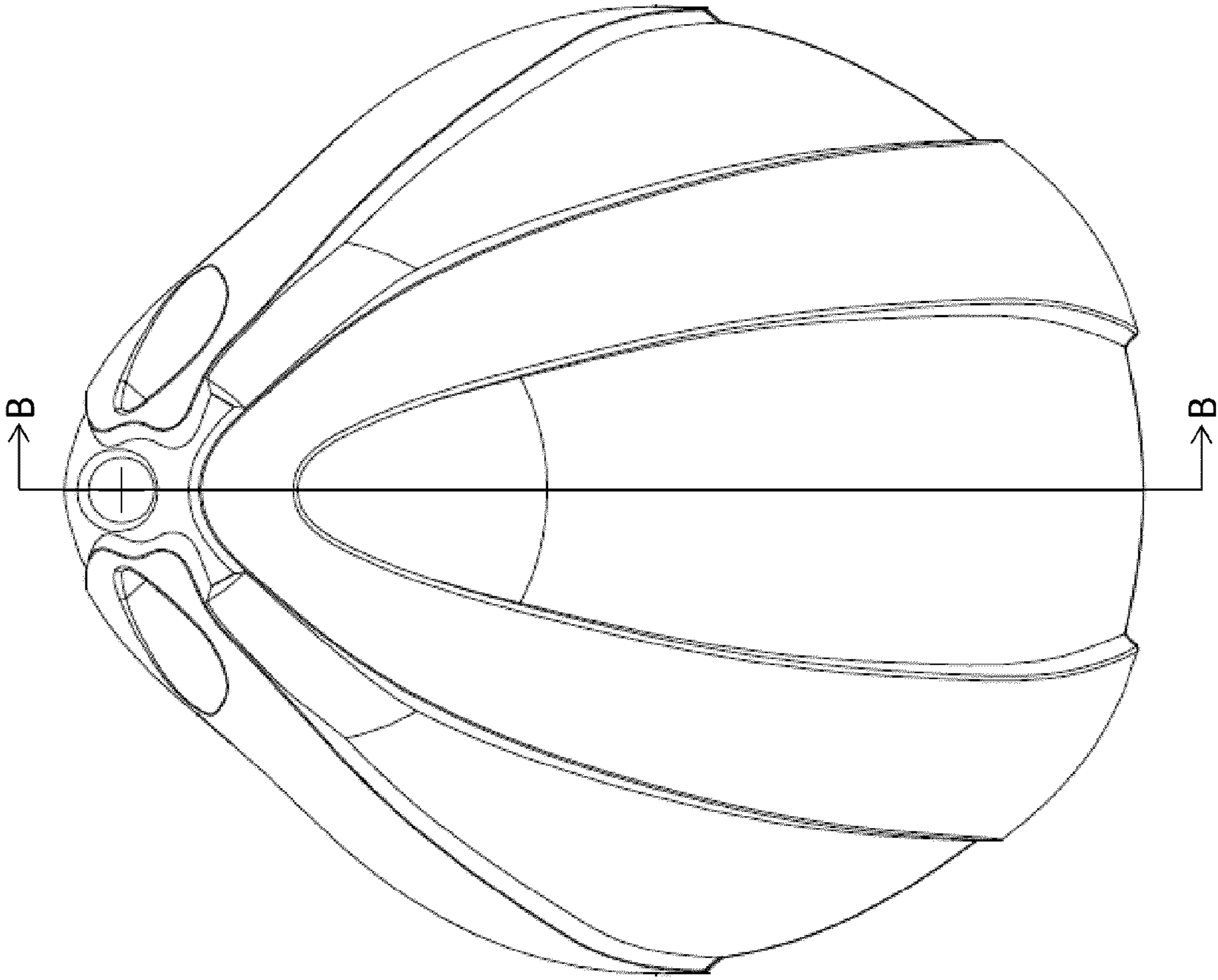


Figure 11

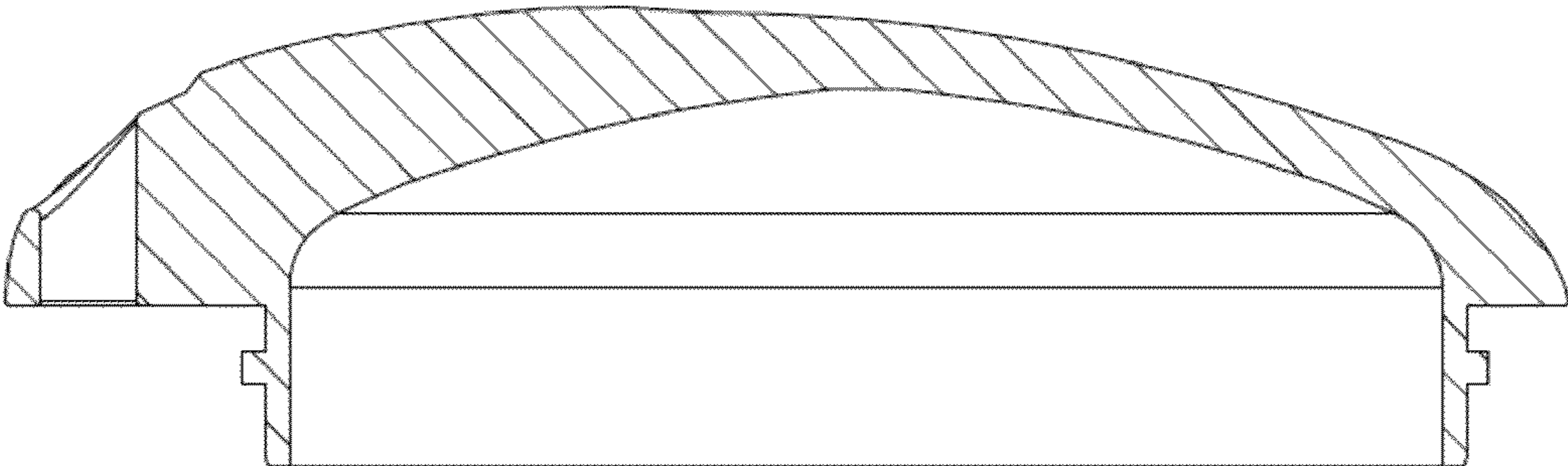


Figure 12