



US00D679186S

(12) **United States Design Patent**
Brown et al.

(10) **Patent No.:** **US D679,186 S**
(45) **Date of Patent:** **** Apr. 2, 2013**

- (54) **CAP**
- (75) Inventors: **Samantha Brown**, Crystal Lake, IL (US); **Marc T. Wiescinski**, Chicago, IL (US); **Brent S. Nelson**, Lakewood, IL (US); **Lanny Baker**, Longview, TX (US); **Carl Feducia**, Shreveport, LA (US); **Wade L. Clark**, Rockford, IL (US)
- (73) Assignee: **Tropicana Products, Inc.**, Bradenton, FL (US)
- (**) Term: **14 Years**
- (21) Appl. No.: **29/390,926**
- (22) Filed: **Apr. 29, 2011**
- (51) **LOC (9) Cl.** **09-07**
- (52) **U.S. Cl.** **D9/452; D9/453**
- (58) **Field of Classification Search** D9/529, D9/452, 445; D7/392.1; D5/50-54; D24/224; 220/376, 293, 288, 281, 200
See application file for complete search history.

- 3,315,830 A 4/1967 Flynn
- D212,463 S 10/1968 Vanderhyde
- D216,679 S 3/1970 Torongo, Jr.
- D218,153 S 7/1970 Abbott
- D220,031 S 3/1971 Donovan
- 3,944,101 A 3/1976 Landen et al.
- 3,958,708 A 5/1976 Le Brun
- D244,356 S 5/1977 Pardo
- 4,117,945 A 10/1978 Mumford
- 4,138,028 A 2/1979 Price et al.
- 4,273,247 A 6/1981 Earls
- D272,324 S 1/1984 Mumford et al.
- D279,803 S 7/1985 Manning
- D292,380 S 10/1987 Smith
- D327,849 S 7/1992 Armstrong
- 5,238,130 A 8/1993 Marques et al.
- D356,871 S 3/1995 Dunn
- D378,803 S 4/1997 Bolen, Jr. et al.
- 5,671,853 A 9/1997 Herr
- D394,184 S 5/1998 Demore
- 5,829,611 A 11/1998 Beck
- 5,836,467 A 11/1998 Montgomery

(Continued)

FOREIGN PATENT DOCUMENTS

CA	20150	10/1955
CA	35020	2/1972

(Continued)

(56) **References Cited**

U.S. PATENT DOCUMENTS

- D24,862 S 11/1895 Abbot
- D33,364 S 10/1900 Lindemeyer
- D86,816 S 4/1932 Von Till
- D97,465 S 11/1935 Conner
- D99,097 S 3/1936 Perry
- D102,462 S 12/1936 Wilmet
- D109,518 S 5/1938 Meier
- D117,265 S 10/1939 Gerhart
- D117,303 S 10/1939 Jung
- D136,438 S 10/1943 Tatro
- D145,010 S 6/1946 Derhamn
- D152,479 S 1/1949 Jung
- D153,945 S 5/1949 Jung
- D154,204 S 6/1949 Jung
- D198,818 S 8/1964 Stull
- D202,827 S 11/1965 Elkner
- D204,325 S * 4/1966 Myers et al. D9/529

Primary Examiner — Susan Bennett Hattan

(74) *Attorney, Agent, or Firm* — Banner & Witcoff, Ltd.

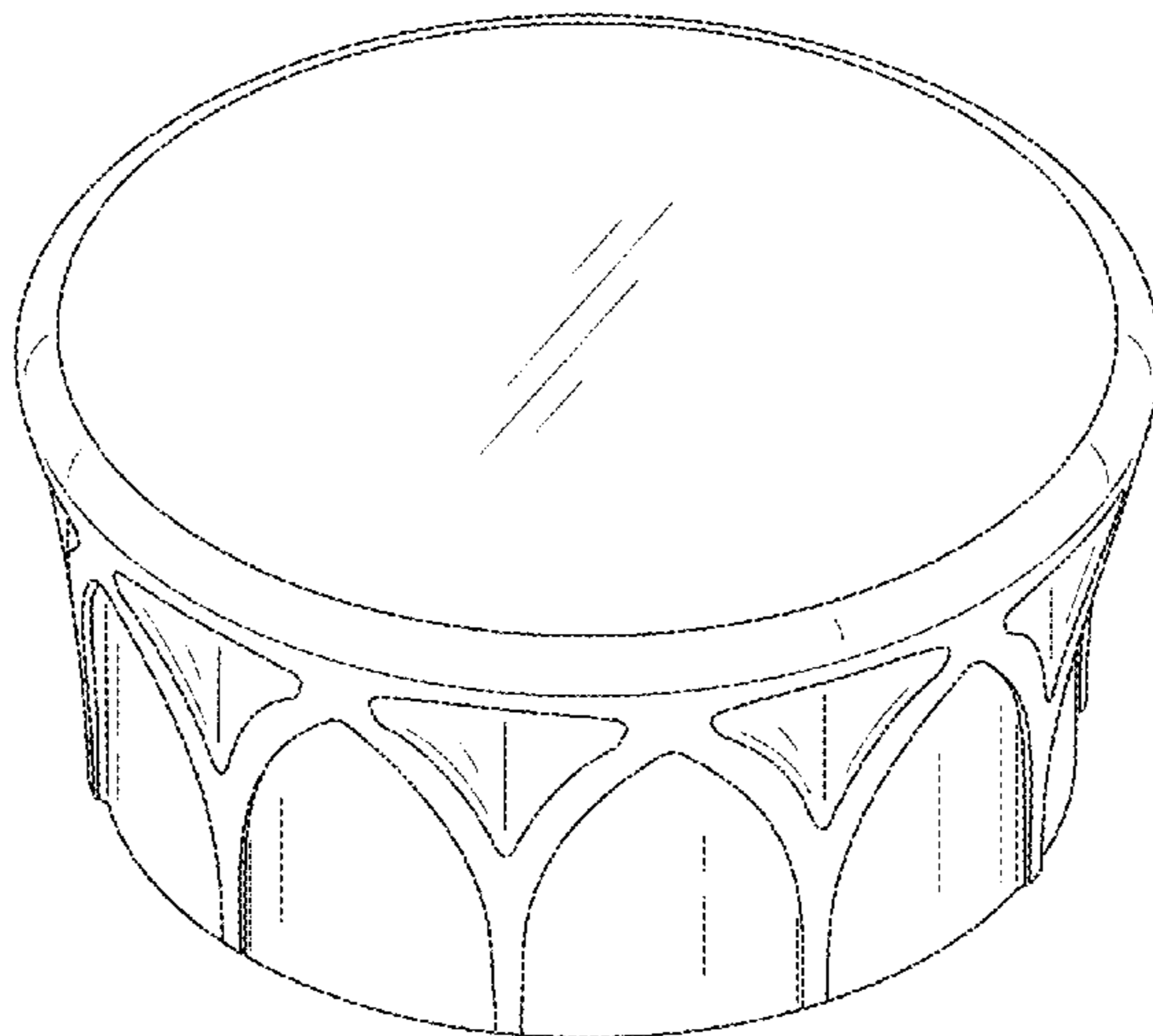
(57) **CLAIM**

The ornamental design for a cap, as shown and described.

DESCRIPTION

FIG. 1 is a top perspective view of a cap showing our new design;
 FIG. 2 is a front view thereof;
 FIG. 3 is a right side view thereof;
 FIG. 4 is a rear view thereof;
 FIG. 5 is a left side view thereof; and,
 FIG. 6 is a top view thereof.

1 Claim, 4 Drawing Sheets



US D679,186 S

U.S. PATENT DOCUMENTS

5,850,951	A	12/1998	Hayes
D405,695	S	2/1999	Zelmo
5,865,330	A	2/1999	Buono
5,915,576	A	6/1999	Robinson
5,927,526	A	7/1999	Herr
5,950,851	A	9/1999	Clodfelter et al.
D415,684	S	10/1999	Reidenbach
D418,756	S	1/2000	Reidenbach
D437,226	S	2/2001	Sadeghi et al.
D442,089	S	5/2001	Sadeghi et al.
D443,513	S	6/2001	Goettner
D449,530	S	10/2001	Sadeghi et al.
D449,537	S	10/2001	Feigenbaum
D453,473	S	2/2002	Del Bianco
6,357,615	B1	3/2002	Herr
D457,431	S	5/2002	Brant et al.
D457,437	S	5/2002	Sadeghi et al.
D460,695	S	7/2002	Sadeghi et al.
D463,281	S	9/2002	Druitt
D465,730	S	11/2002	Druitt
D470,413	S	2/2003	Seidita
D476,890	S	7/2003	Hirose
D479,997	S	9/2003	Ekkert et al.
D480,644	S	10/2003	Druitt
D492,596	S	7/2004	Miceli
6,783,014	B2	8/2004	Luker
D500,677	S	1/2005	Druitt
D507,745	S	7/2005	Pitman et al.
D508,650	S	8/2005	Pitman et al.
D510,269	S	10/2005	Pitman et al.
D510,523	S	10/2005	Pitman et al.
D513,586	S	1/2006	Pitman et al.
D515,922	S	2/2006	Pitman et al.
D515,923	S	2/2006	Pitman et al.
D519,373	S	4/2006	Pitman et al.
D520,361	S	5/2006	Crawford et al.
D521,867	S	5/2006	Spada et al.
D522,862	S	6/2006	Owens et al.
D529,804	S	10/2006	Lohrman
D530,205	S	10/2006	Lohrman
D530,612	S	10/2006	Lohrman et al.
D531,505	S	11/2006	Lohrman
D534,427	S	1/2007	Crawford

D535,189	S	1/2007	Pitman et al.
D537,719	S	3/2007	Seidita
D538,464	S	3/2007	Chen
D538,654	S	3/2007	Seidita
D541,659	S	* 5/2007	Fischer D9/529
D542,656	S	5/2007	Szczensniak
D561,585	S	2/2008	Philip et al.
D565,413	S	4/2008	Honkawa et al.
D573,031	S	7/2008	Hestehave
D577,593	S	9/2008	Hestehave
D577,999	S	10/2008	Pivert
D578,399	S	10/2008	Hestehave
D578,889	S	10/2008	Sadiq
D579,338	S	10/2008	Hestehave
D587,580	S	3/2009	Kane et al.
D606,401	S	12/2009	Kamath et al.
D613,162	S	4/2010	Druitt
D616,745	S	6/2010	Stull et al.
D616,746	S	6/2010	Stull et al.
D616,747	S	6/2010	Stull et al.
D617,191	S	6/2010	Stull et al.
7,802,690	B2	9/2010	Lohrman et al.
D626,410	S	11/2010	Lohrman et al.
D626,412	S	11/2010	Lohrman et al.
D626,413	S	11/2010	Lohrman et al.
D630,044	S	* 1/2011	Lane et al. D7/392.1
D631,349	S	1/2011	Arnell et al.
2005/0006334	A1	1/2005	Luker

FOREIGN PATENT DOCUMENTS

CA	40078	12/1975
CA	73870	2/1994
CA	137086	4/2001
CA	93820	11/2001
CA	93821	11/2001
CA	93825	11/2001
CA	93826	11/2001
CA	93827	11/2001
CA	93846	11/2001
CA	93847	11/2001
CA	112758	11/2006
CA	112653	7/2007

* cited by examiner

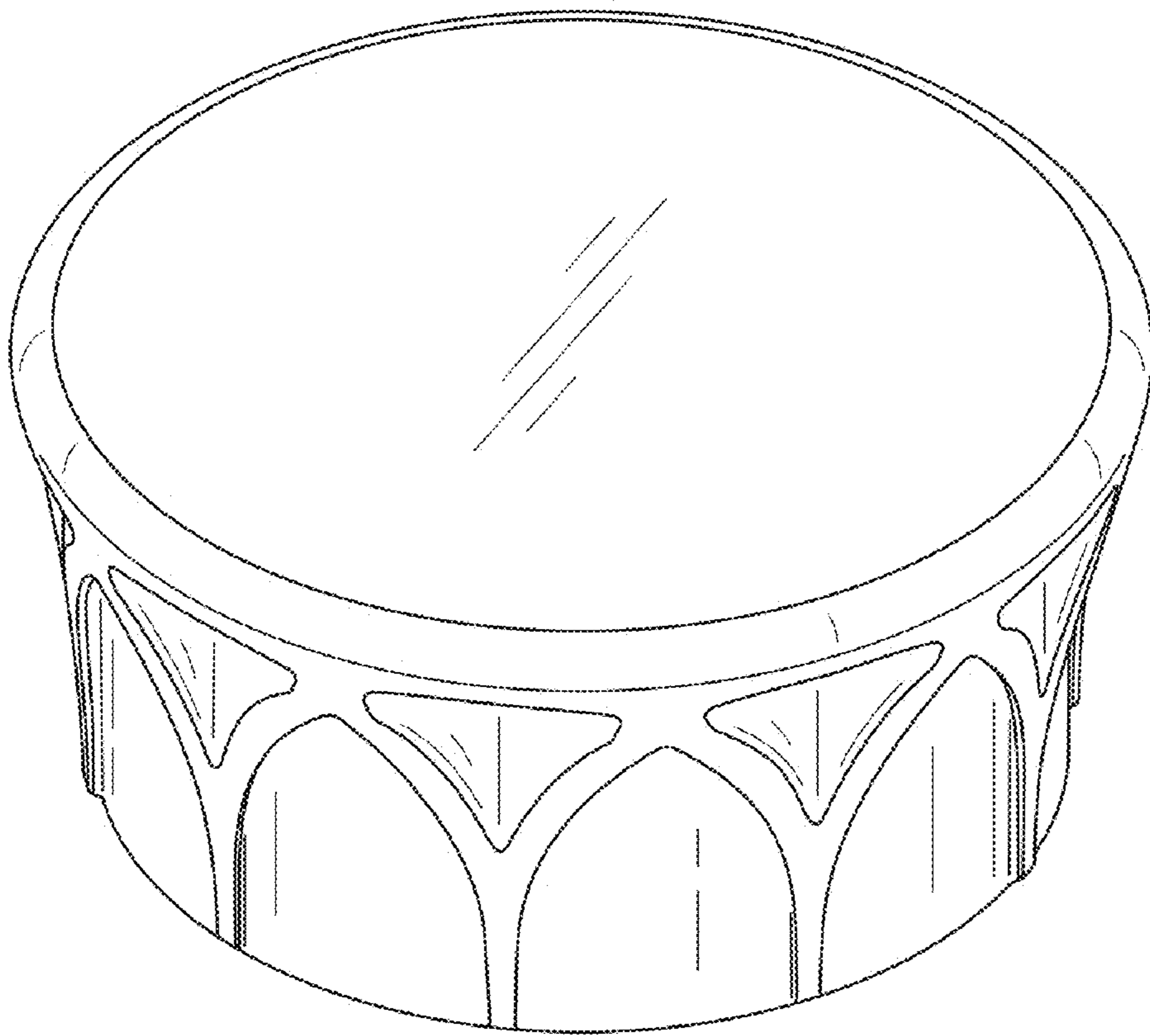


FIG. 1

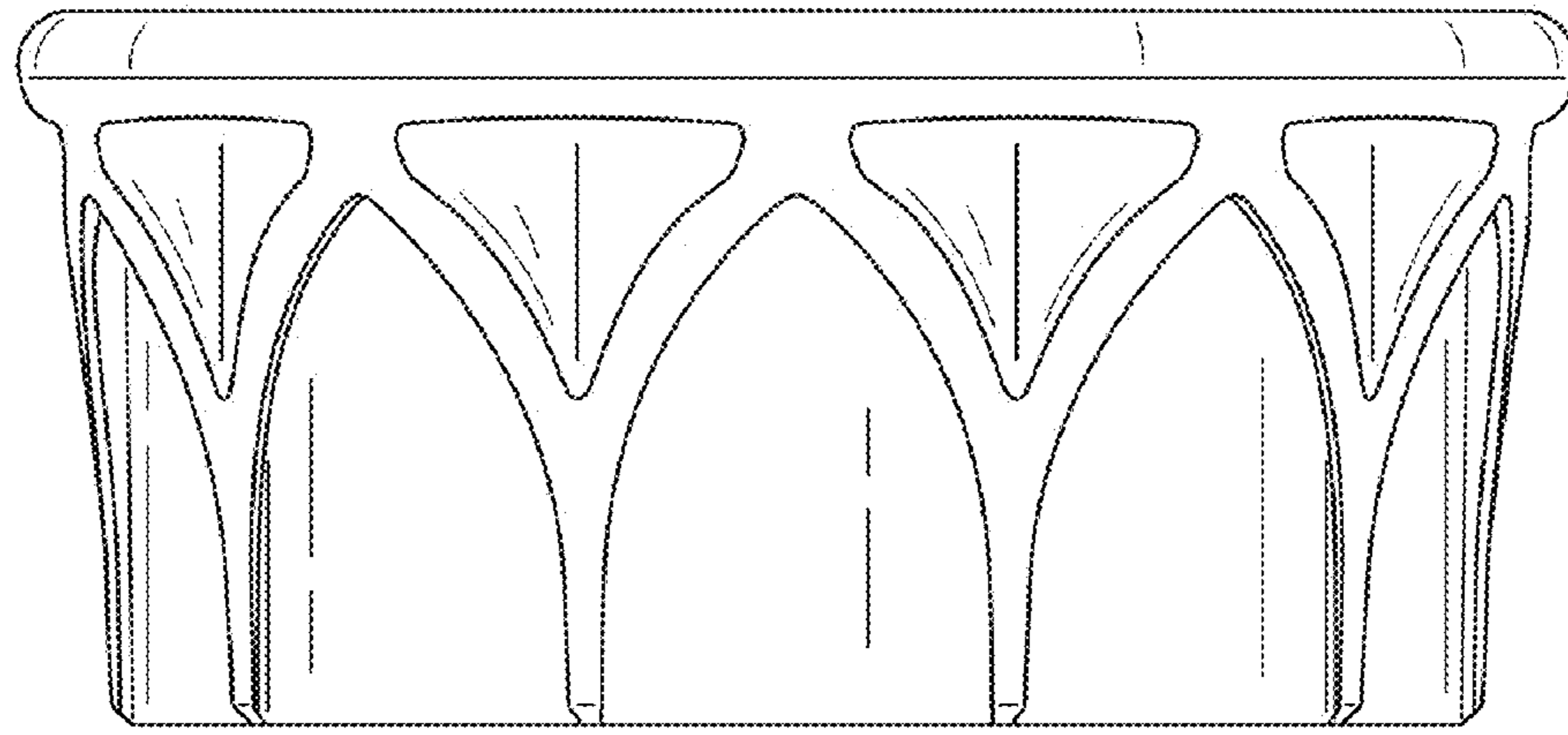


FIG. 2

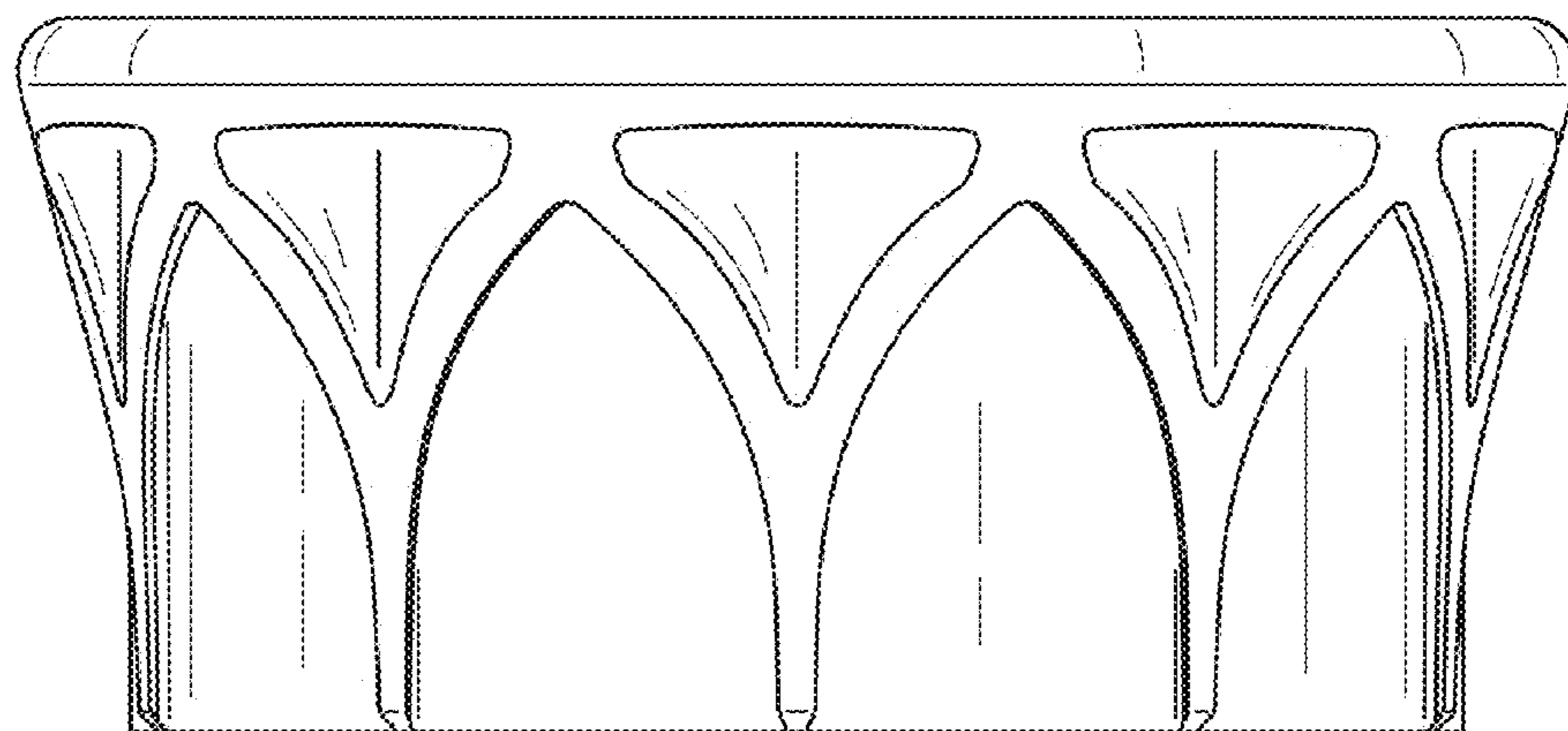


FIG. 3

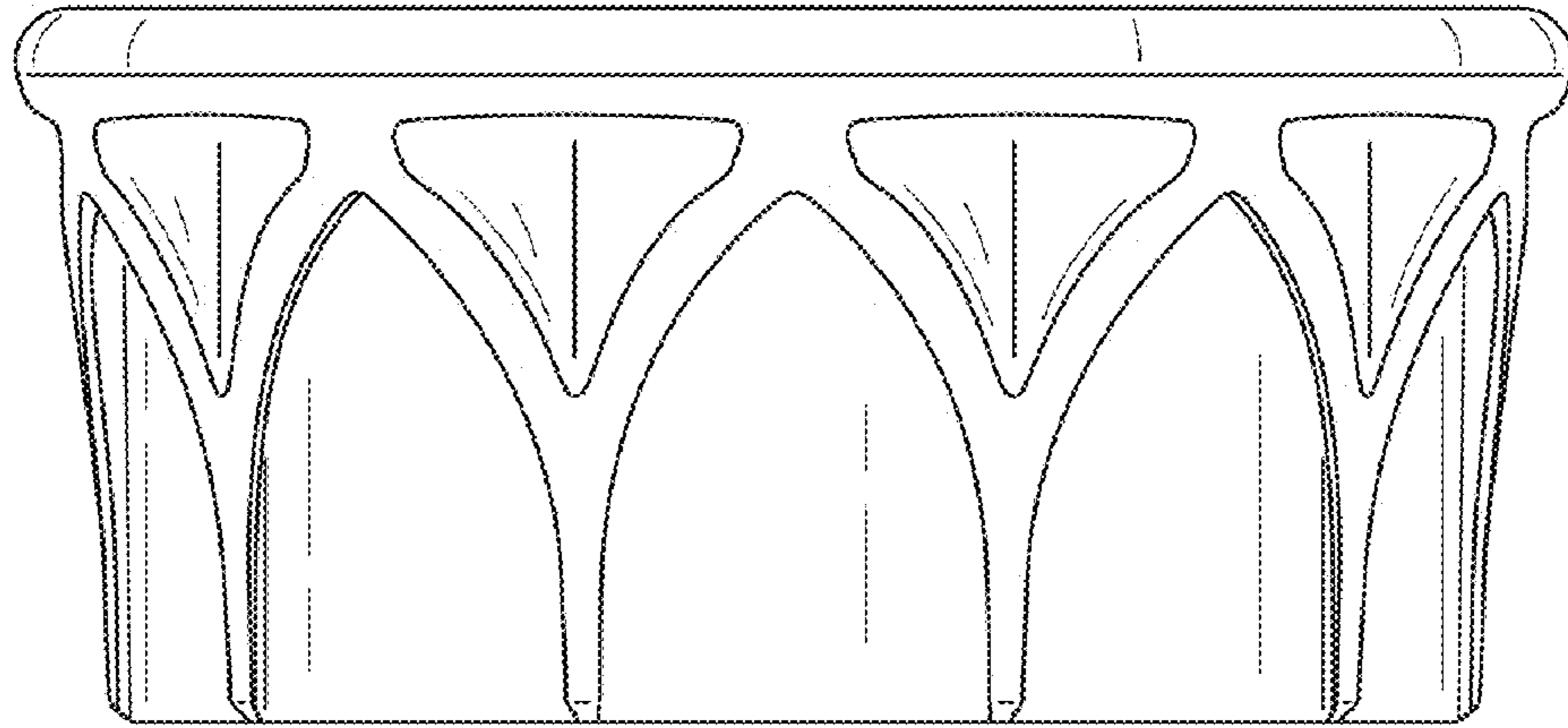


FIG. 4

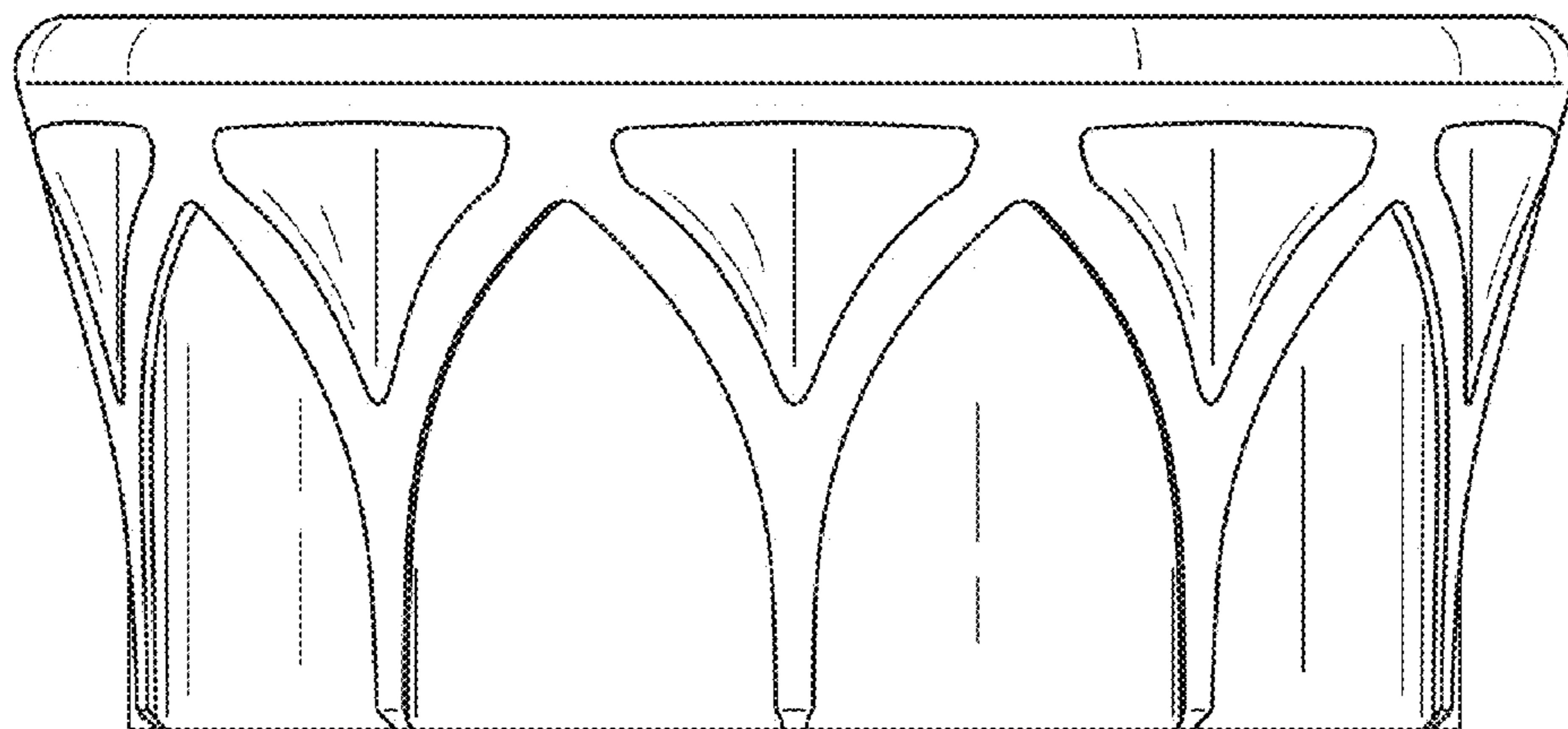


FIG. 5

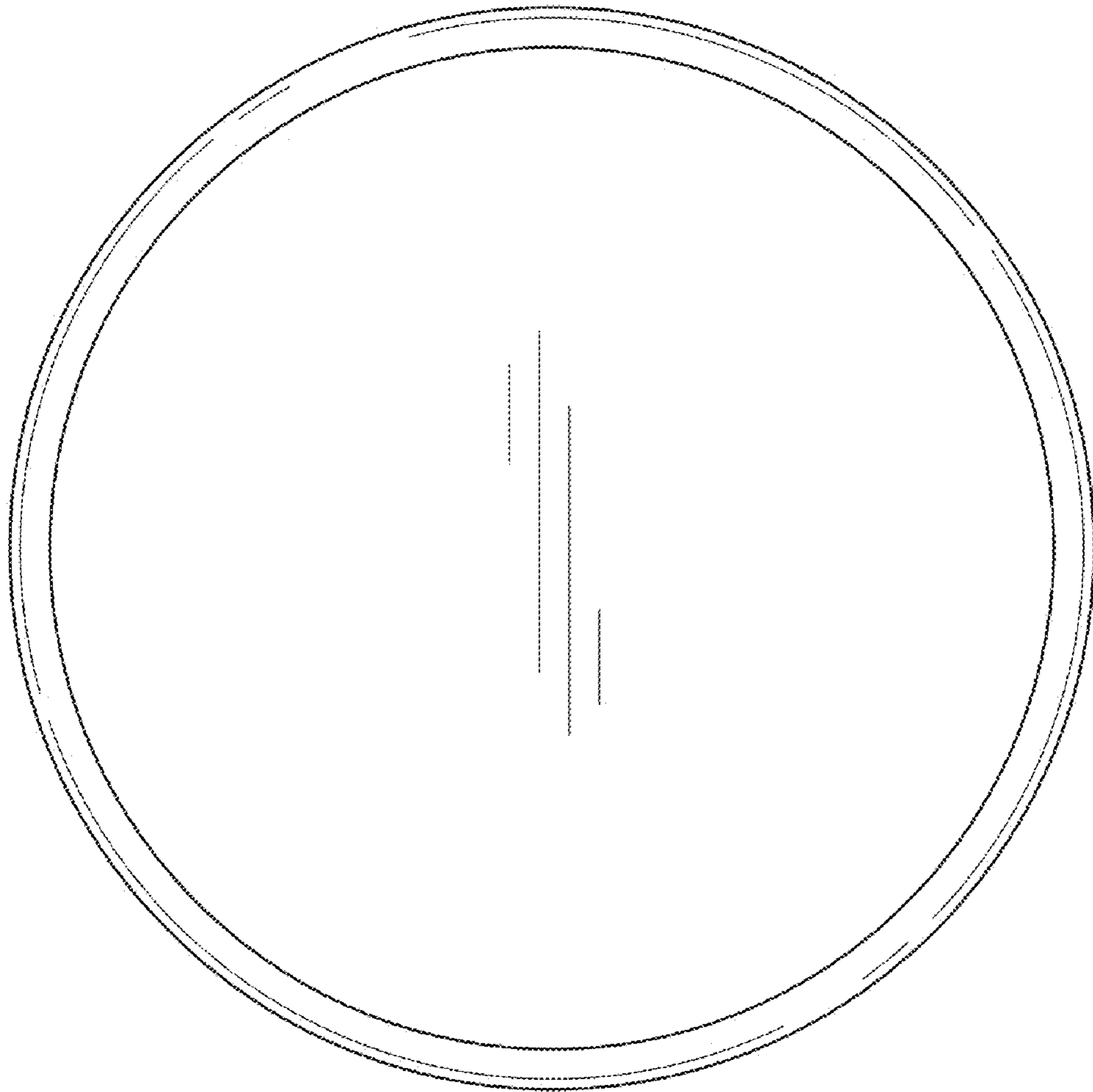


FIG. 6