



US00D679185S

(12) **United States Design Patent**
Brown et al.

(10) **Patent No.:** **US D679,185 S**
(45) **Date of Patent:** **** Apr. 2, 2013**

- (54) **CAP**
- (75) Inventors: **Samantha Brown**, Crystal Lake, IL (US); **Marc T. Wiescinski**, Chicago, IL (US); **Brent S. Nelson**, Lakewood, IL (US); **Lanny Baker**, Longview, TX (US); **Carl Feducia**, Shreveport, LA (US); **Wade L. Clark**, Rockford, IL (US)
- (73) Assignee: **Tropicana Products, Inc.**, Bradenton, FL (US)
- (**) Term: **14 Years**
- (21) Appl. No.: **29/390,924**
- (22) Filed: **Apr. 29, 2011**
- (51) **LOC (9) Cl.** **09-07**
- (52) **U.S. Cl.** **D9/452; D9/454**
- (58) **Field of Classification Search** D9/529, D9/452, 445; D7/392.1; D5/50-54; D24/224; 220/376, 293, 288, 281, 200
See application file for complete search history.

- D212,463 S 10/1968 Vanderhyde
- D216,679 S 3/1970 Torongo, Jr.
- D218,153 S 7/1970 Abbott
- D220,031 S 3/1971 Donovan
- 3,944,101 A 3/1976 Landen et al.
- 3,958,708 A 5/1976 Le Brun
- D244,356 S 5/1977 Pardo
- 4,117,945 A 10/1978 Mumford
- 4,138,028 A 2/1979 Price et al.
- 4,273,247 A 6/1981 Earls
- D272,324 S 1/1984 Mumford et al.
- D279,803 S 7/1985 Manning
- D292,380 S 10/1987 Smith
- D327,849 S 7/1992 Armstrong
- 5,238,130 A 8/1993 Marques et al.
- D356,871 S 3/1995 Dunn
- D378,803 S 4/1997 Bolen, Jr. et al.
- 5,671,853 A 9/1997 Herr
- D394,184 S 5/1998 Denmore
- 5,829,611 A 11/1998 Beck
- 5,836,467 A 11/1998 Montgomery
- 5,850,951 A 12/1998 Hayes

(Continued)

FOREIGN PATENT DOCUMENTS

CA	20150	10/1955
CA	35020	2/1972

(Continued)

Primary Examiner — Susan Bennett Hattan
(74) *Attorney, Agent, or Firm* — Banner & Witcoff, Ltd.

(56) **References Cited**
U.S. PATENT DOCUMENTS

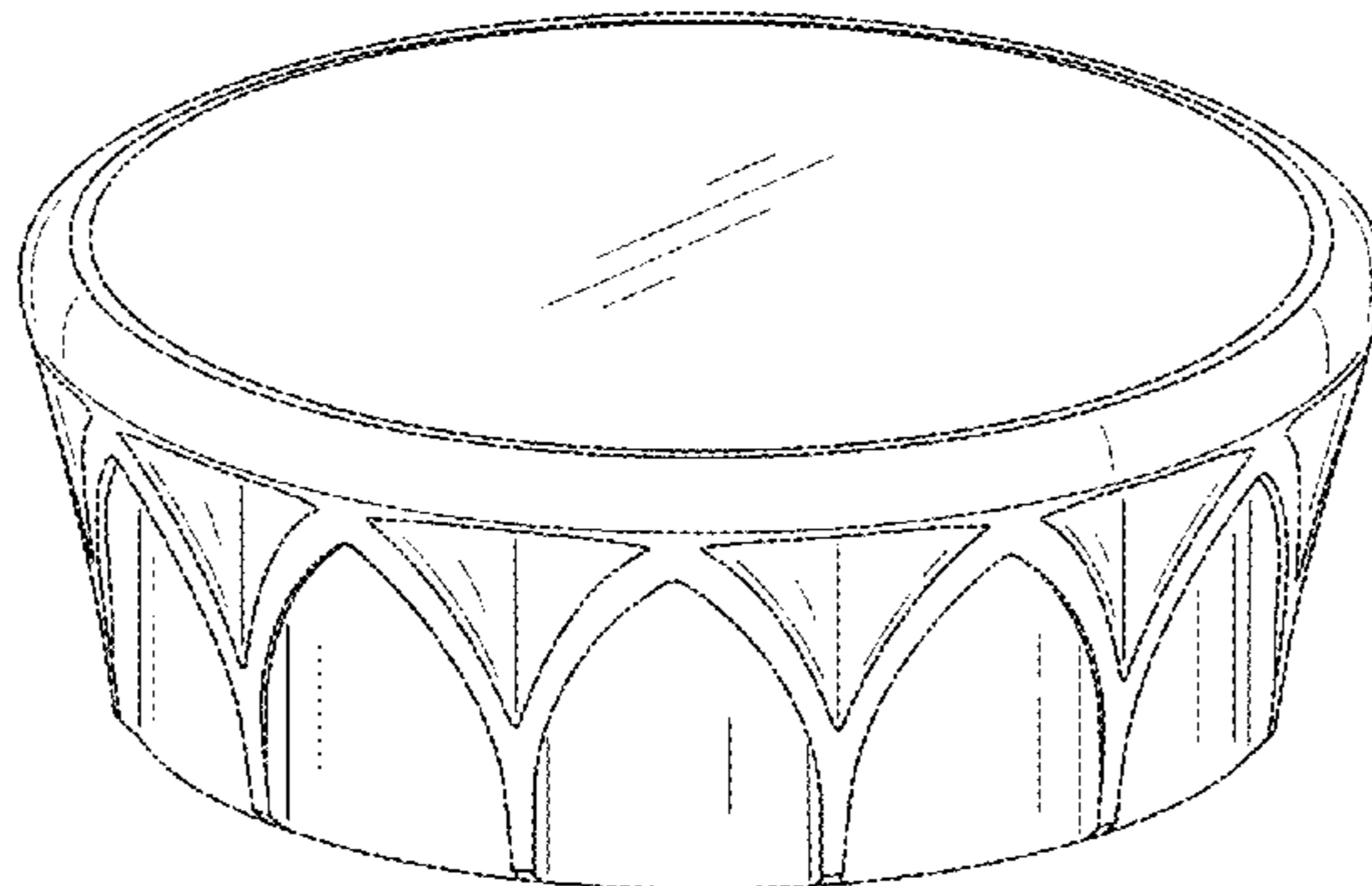
D24,862 S	11/1895	Abbot
D33,364 S	10/1900	Lindemeyer
D86,816 S	4/1932	Von Till
D97,465 S	11/1935	Conner
D99,097 S	3/1936	Perry
D102,462 S	12/1936	Wilmet
D109,518 S	5/1938	Meier
D117,265 S	10/1939	Gerhart
D117,303 S	10/1939	Jung
D136,438 S	10/1943	Tatro
D145,010 S	6/1946	Derhamn
D152,479 S	1/1949	Jung
D153,945 S	5/1949	Jung
D154,204 S	6/1949	Jung
D198,818 S	8/1964	Stull
D202,827 S	11/1965	Elkner
3,315,830 A	4/1967	Flynn

(57) **CLAIM**
The ornamental design for a cap, as shown and described.

DESCRIPTION

FIG. 1 is a top perspective view of a cap showing our new design;
FIG. 2 is a front view thereof;
FIG. 3 is a right side view thereof;
FIG. 4 is a rear view thereof;
FIG. 5 is a left side view thereof; and,
FIG. 6 is a top view thereof.

1 Claim, 4 Drawing Sheets



US D679,185 S

U.S. PATENT DOCUMENTS

D405,695	S	2/1999	Zelmo	
5,865,330	A	2/1999	Buono	
D407,979	S	* 4/1999	Zemlo	D9/454
5,915,576	A	6/1999	Robinson	
5,927,526	A	7/1999	Herr	
5,950,851	A	9/1999	Clodfelter et al.	
D415,684	S	10/1999	Reidenbach	
D418,756	S	1/2000	Reidenbach	
D437,226	S	2/2001	Sadeghi et al.	
D442,089	S	5/2001	Sadeghi et al.	
D443,513	S	6/2001	Goettner	
D449,530	S	10/2001	Sadeghi et al.	
D449,537	S	10/2001	Feigenbaum	
D453,473	S	2/2002	Del Bianco	
6,357,615	B1	3/2002	Herr	
D457,431	S	5/2002	Brant et al.	
D457,437	S	5/2002	Sadeghi et al.	
D460,695	S	7/2002	Sadeghi et al.	
D463,281	S	9/2002	Druitt	
D465,730	S	11/2002	Druitt	
D470,413	S	2/2003	Seidita	
D476,890	S	7/2003	Hirose	
D476,893	S	* 7/2003	Pinnavaia	D9/454
D479,997	S	9/2003	Ekkert et al.	
D480,644	S	10/2003	Druitt	
D492,596	S	7/2004	Miceli	
6,783,014	B2	8/2004	Luker	
D500,677	S	1/2005	Druitt	
D507,745	S	7/2005	Pitman et al.	
D508,650	S	8/2005	Pitman et al.	
D510,269	S	10/2005	Pitman et al.	
D510,523	S	10/2005	Pitman et al.	
D513,586	S	1/2006	Pitman et al.	
D515,922	S	2/2006	Pitman et al.	
D515,923	S	2/2006	Pitman et al.	
D519,373	S	4/2006	Pitman et al.	
D520,361	S	5/2006	Crawford et al.	
D521,867	S	5/2006	Spada et al.	
D522,862	S	6/2006	Owens et al.	
D529,804	S	10/2006	Lohrman	
D530,205	S	10/2006	Lohrman	
D530,612	S	10/2006	Lohrman et al.	
D531,505	S	11/2006	Lohrman	

D534,427	S	1/2007	Crawford	
D535,189	S	1/2007	Pitman et al.	
D537,719	S	3/2007	Seidita	
D538,464	S	3/2007	Chen	
D538,654	S	3/2007	Seidita	
D542,656	S	5/2007	Szczensniak	
D561,585	S	2/2008	Philip et al.	
D565,413	S	4/2008	Honkawa et al.	
D573,031	S	7/2008	Hestehave	
D577,593	S	9/2008	Hestehave	
D577,999	S	10/2008	Pivert	
D578,399	S	10/2008	Hestehave	
D578,889	S	10/2008	Sadiq	
D579,338	S	10/2008	Hestehave	
D587,580	S	3/2009	Kane et al.	
D606,401	S	12/2009	Kamath et al.	
D613,162	S	4/2010	Druitt	
D616,745	S	6/2010	Stull et al.	
D616,746	S	6/2010	Stull et al.	
D616,747	S	6/2010	Stull et al.	
D617,191	S	6/2010	Stull et al.	
7,802,690	B2	9/2010	Lohrman et al.	
D626,410	S	11/2010	Lohrman et al.	
D626,412	S	11/2010	Lohrman et al.	
D626,413	S	11/2010	Lohrman et al.	
D631,349	S	1/2011	Arnell et al.	
2005/0006334	A1	1/2005	Luker	

FOREIGN PATENT DOCUMENTS

CA	40078	12/1975
CA	73870	2/1994
CA	137086	4/2001
CA	93820	11/2001
CA	93821	11/2001
CA	93825	11/2001
CA	93826	11/2001
CA	93827	11/2001
CA	93846	11/2001
CA	93847	11/2001
CA	112758	11/2006
CA	112653	7/2007

* cited by examiner

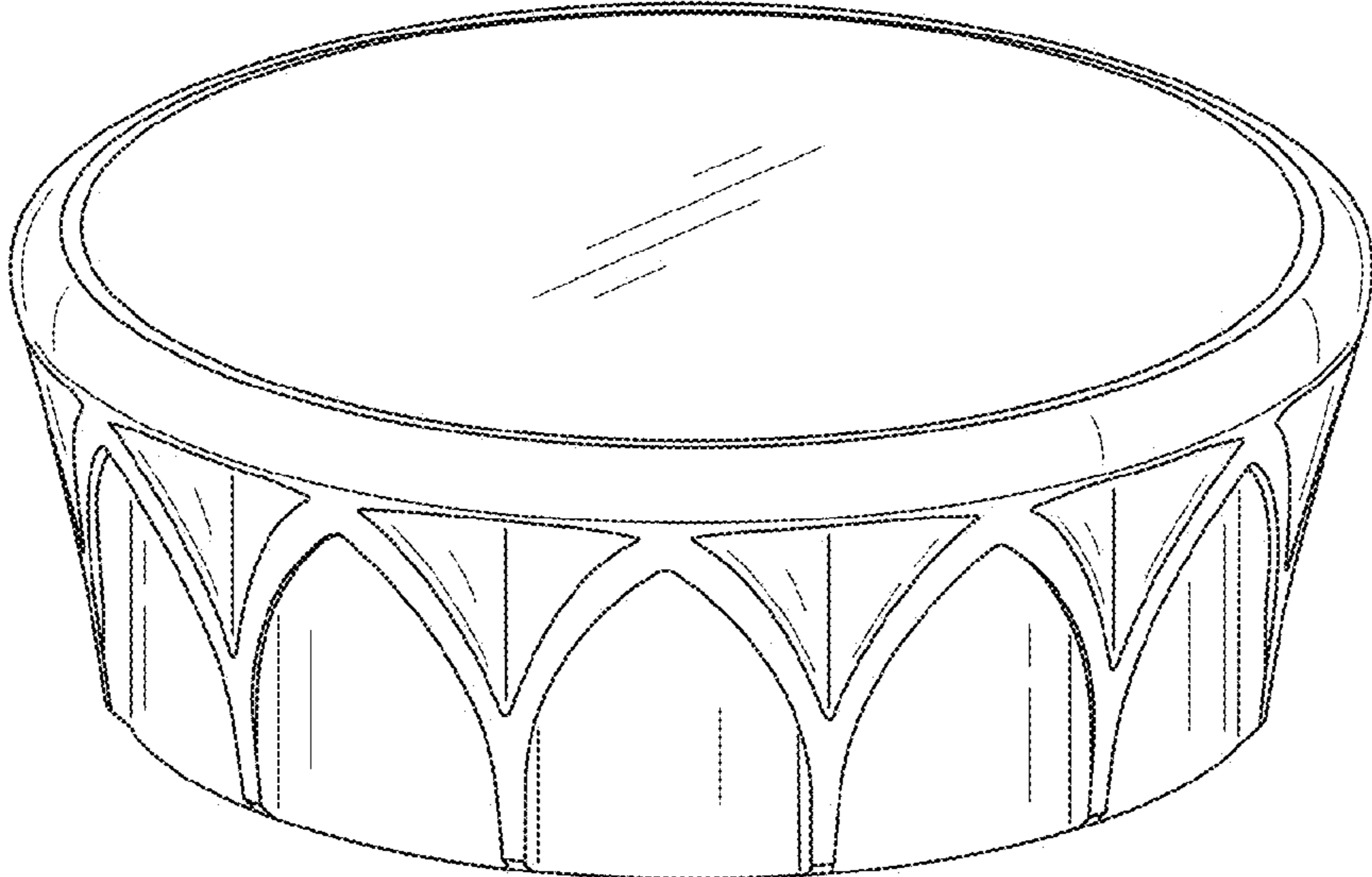


FIG. 1

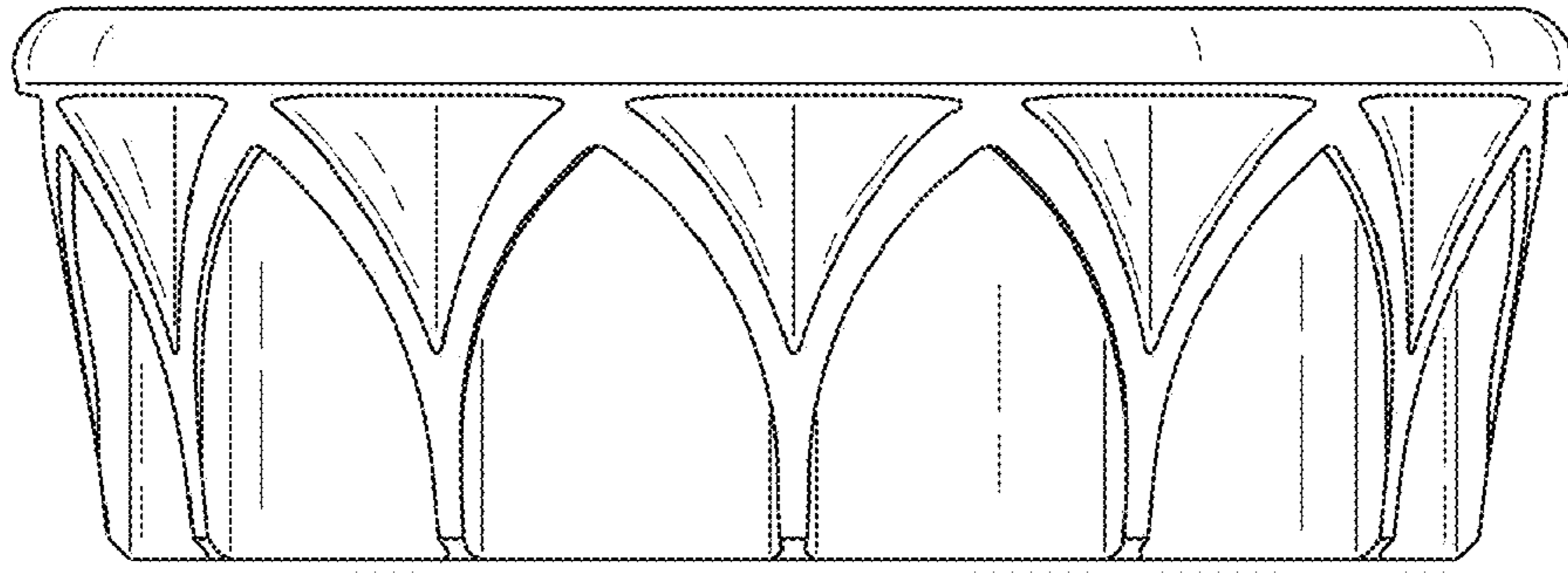


FIG. 2

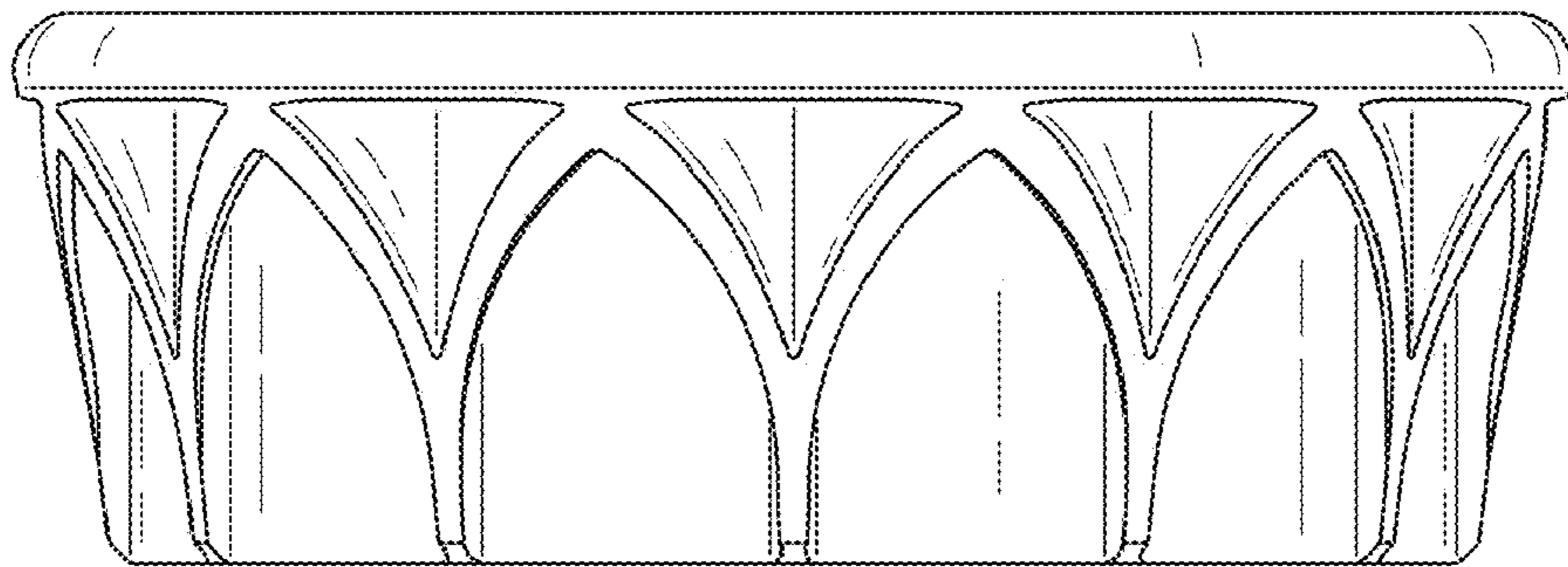


FIG. 3

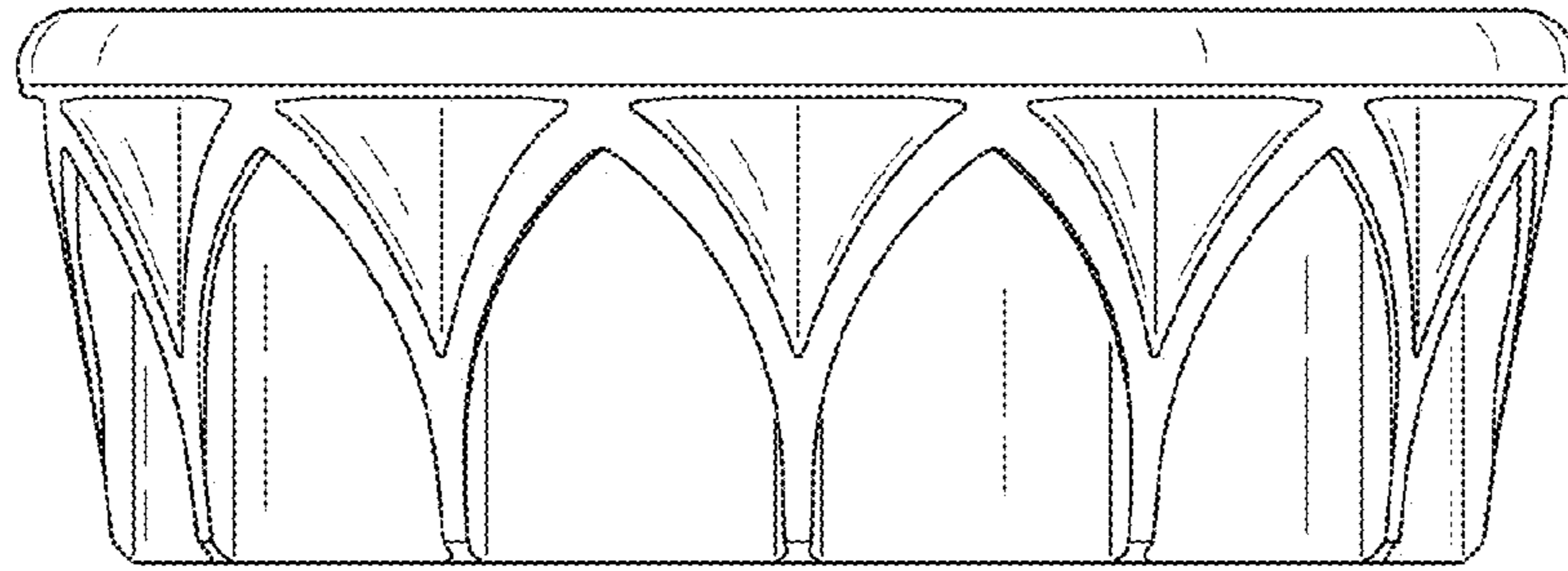


FIG. 4

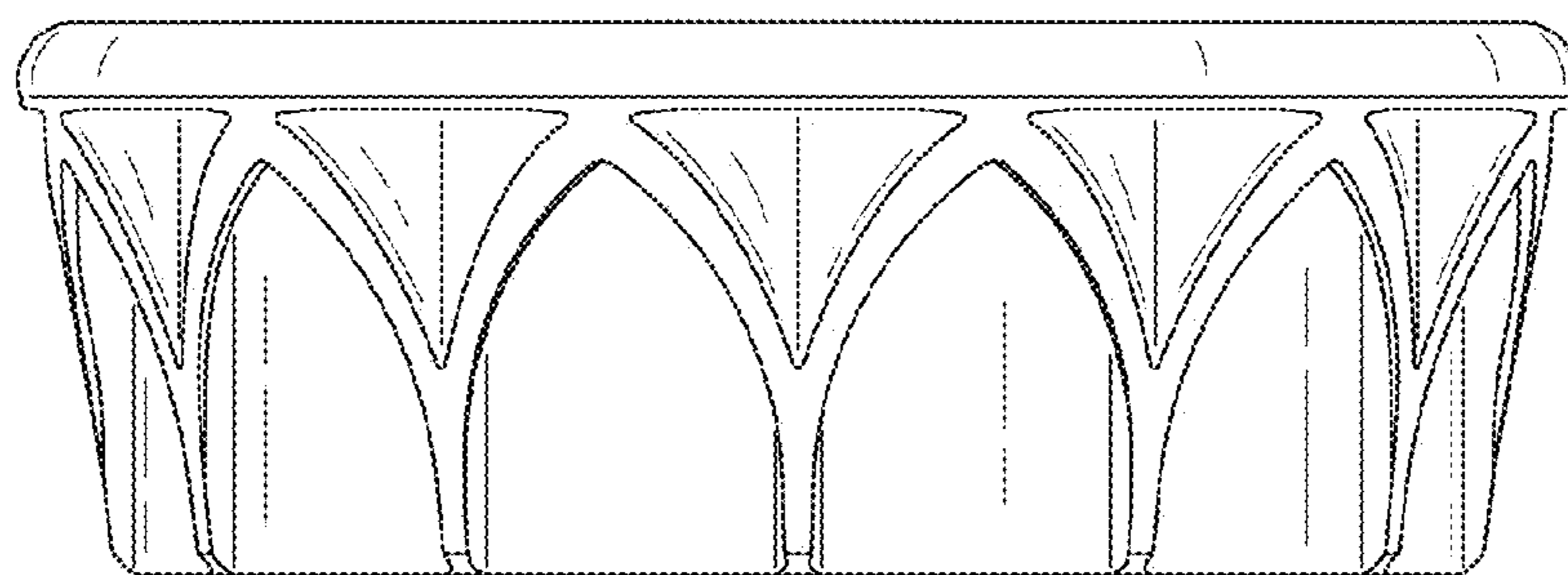


FIG. 5

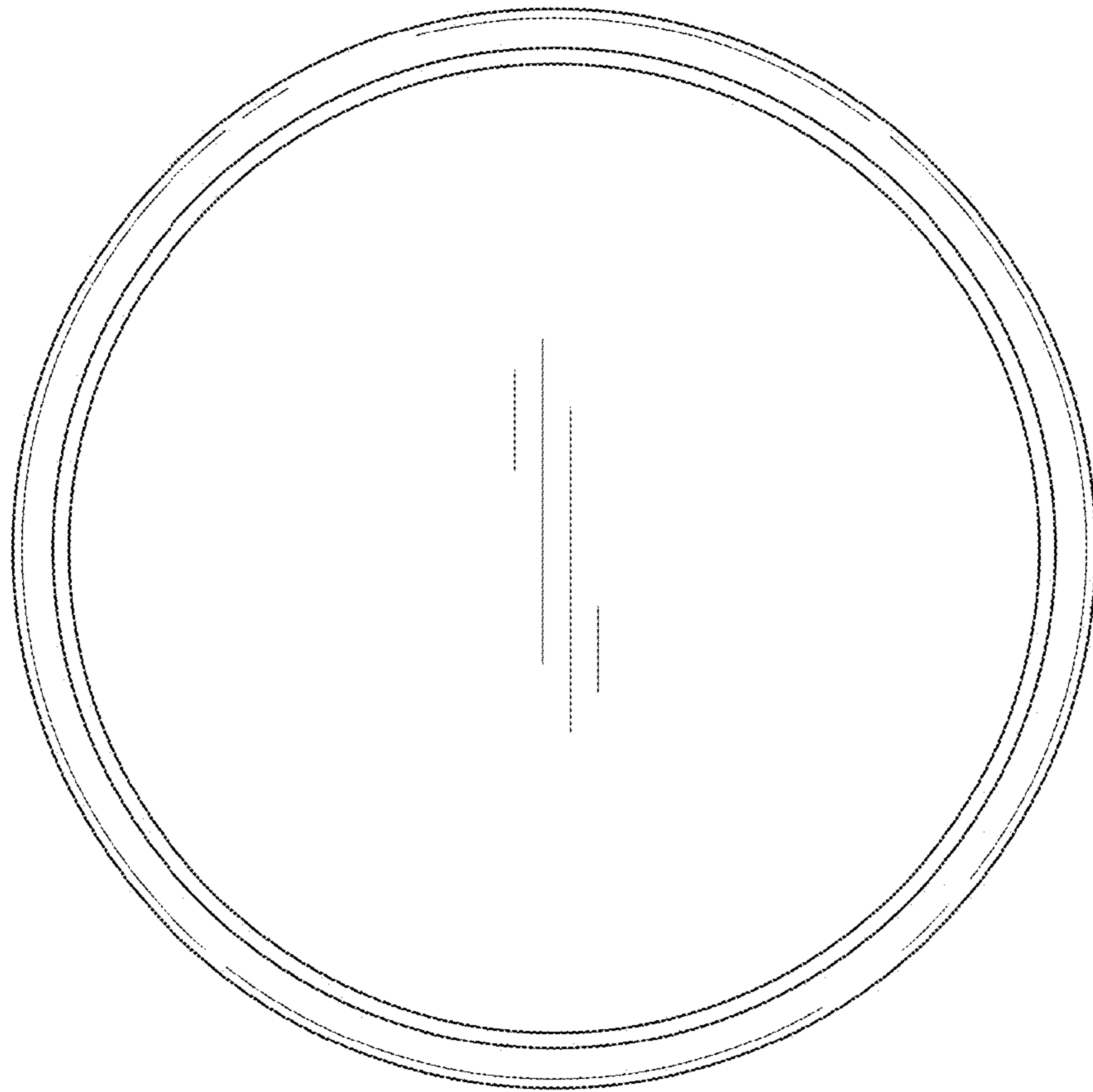


FIG. 6