



US00D679184S

(12) **United States Design Patent**
Fedewa et al.

(10) **Patent No.:** **US D679,184 S**
(45) **Date of Patent:** **** Apr. 2, 2013**

- (54) **CONTAINER CLOSURE**
 - (75) Inventors: **John Fedewa**, Caledonia, MI (US);
Carol T. Zhou, Kentwood, MI (US);
Sean T. Eurich, Holland, MI (US);
Dietmar Schulte, Greenwood Lake, NY (US)
 - (73) Assignee: **Access Business Group International LLC**, Ada, MI (US)
 - (**) Term: **14 Years**
 - (21) Appl. No.: **29/430,194**
 - (22) Filed: **Aug. 22, 2012**
 - (51) **LOC (9) Cl.** **09-07**
 - (52) **U.S. Cl.** **D9/449; D9/454**
 - (58) **Field of Classification Search** D9/454,
D9/453, 449, 447, 446, 443, 440, 439, 417;
D7/396.2, 392.1; 222/556, 484; 220/837,
220/715, 259.2, 254.2-254.5; 215/306, 235,
215/236
- See application file for complete search history.

- D535,891 S 1/2007 Varlet
- D537,350 S 2/2007 Bakic
- D538,162 S * 3/2007 Smith D9/449
- D546,695 S 7/2007 Penfold et al.
- D547,184 S * 7/2007 Kim et al. D9/449
- D563,233 S 3/2008 Patzak
- D563,793 S 3/2008 Nomoto
- D566,558 S 4/2008 Bakic
- D571,663 S 6/2008 Bakic
- D573,892 S 7/2008 Moretti
- D573,893 S 7/2008 Moretti
- D574,712 S * 8/2008 Bakic D9/522
- D578,406 S 10/2008 Kuzma et al.
- D581,276 S 11/2008 Kuzma et al.
- D582,772 S * 12/2008 Bakic D9/449
- D587,586 S 3/2009 Patzak
- D592,516 S 5/2009 Cummings et al.
- D593,858 S * 6/2009 Kubicek et al. D9/454

(Continued)

Primary Examiner — Susan Bennett Hattan
(74) *Attorney, Agent, or Firm* — Warner Norcross & Judd LLP

(57) **CLAIM**
The ornamental design for container closure, as shown and described.

DESCRIPTION

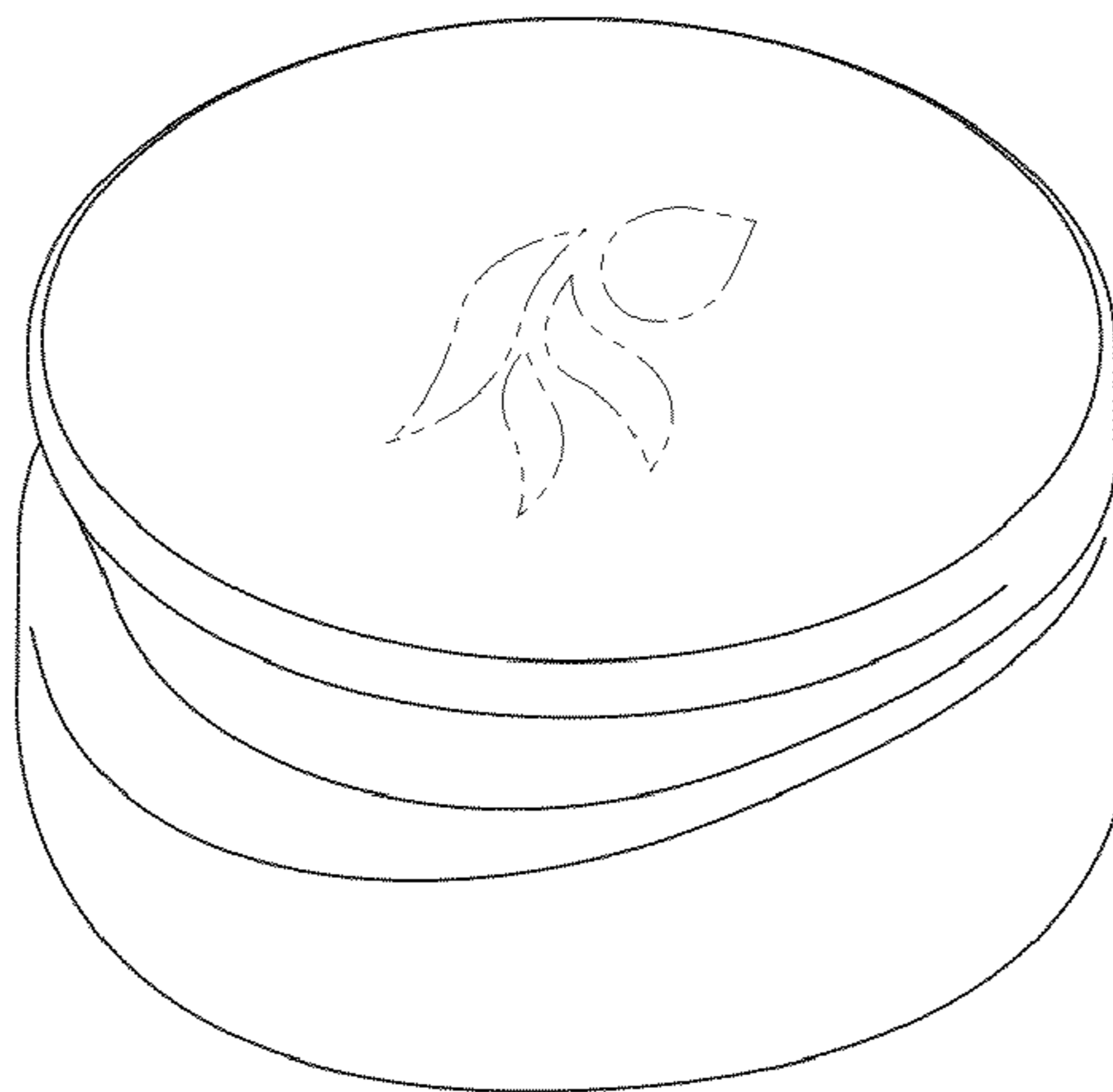
FIG. 1 is a perspective view of the container closure embodying the new design in a closed position;
FIG. 2 is a right side view thereof, the left side view being a mirror image thereof;
FIG. 3 is a front view thereof;
FIG. 4 is a rear view thereof;
FIG. 5 is a top view thereof;
FIG. 6 is a bottom view thereof;
FIG. 7 is a perspective view of the container closure embodying the new design in an open position;
FIG. 8 is a right side view thereof, the left side being a mirror image thereof;
FIG. 9 is a front view thereof;
FIG. 10 is a rear view thereof;
FIG. 11 is a top view thereof; and,
FIG. 12 is a bottom view thereof.
FIGS. 1-12 show features of a container closure in phantom lines. These features are shown for environmental purposes and do not form any part of the claimed design. Further, the phantom lines immediately adjacent the solid-line portions of the design form the boundary of the design, with the phantom lines forming no part of the claimed design.

1 Claim, 4 Drawing Sheets

(56) **References Cited**

U.S. PATENT DOCUMENTS

D52,472 S	9/1918	Corey	
D53,887 S	10/1919	Connor	
D54,197 S	11/1919	Connor	
D198,233 S	5/1964	Anderson	
D198,871 S	8/1964	Akeireb	
D214,554 S	7/1969	Ottman	
D266,990 S	11/1982	Cook	
D281,863 S	12/1985	Beechuk et al.	
D411,460 S	6/1999	Nobuto	
D438,785 S	3/2001	Baron	
D444,387 S	7/2001	Adachi et al.	
D448,678 S	10/2001	Bakic	
D475,929 S	6/2003	Bakic	
D486,400 S	2/2004	Bakic	
D495,957 S	9/2004	Bakic	
D504,818 S	* 5/2005	Bakic D9/449
D521,386 S	5/2006	Priestman	
D526,570 S	8/2006	Bakic	
D528,920 S	9/2006	Priestman	
D532,936 S	11/2006	Bakic	
D533,784 S	12/2006	Bakic	
D535,888 S	1/2007	Kuzma et al.	



US D679,184 S

Page 2

U.S. PATENT DOCUMENTS

D605,051 S	12/2009	Bohache et al.		D615,405 S	5/2010	Bakic	
D608,199 S *	1/2010	Gross	D9/449	D644,106 S	8/2011	Almstead, Jr. et al.	
D608,213 S	1/2010	Kuzma et al.		D666,492 S *	9/2012	Cummings et al.	D9/449
D610,454 S *	2/2010	Lohrman et al.	D9/449				

* cited by examiner

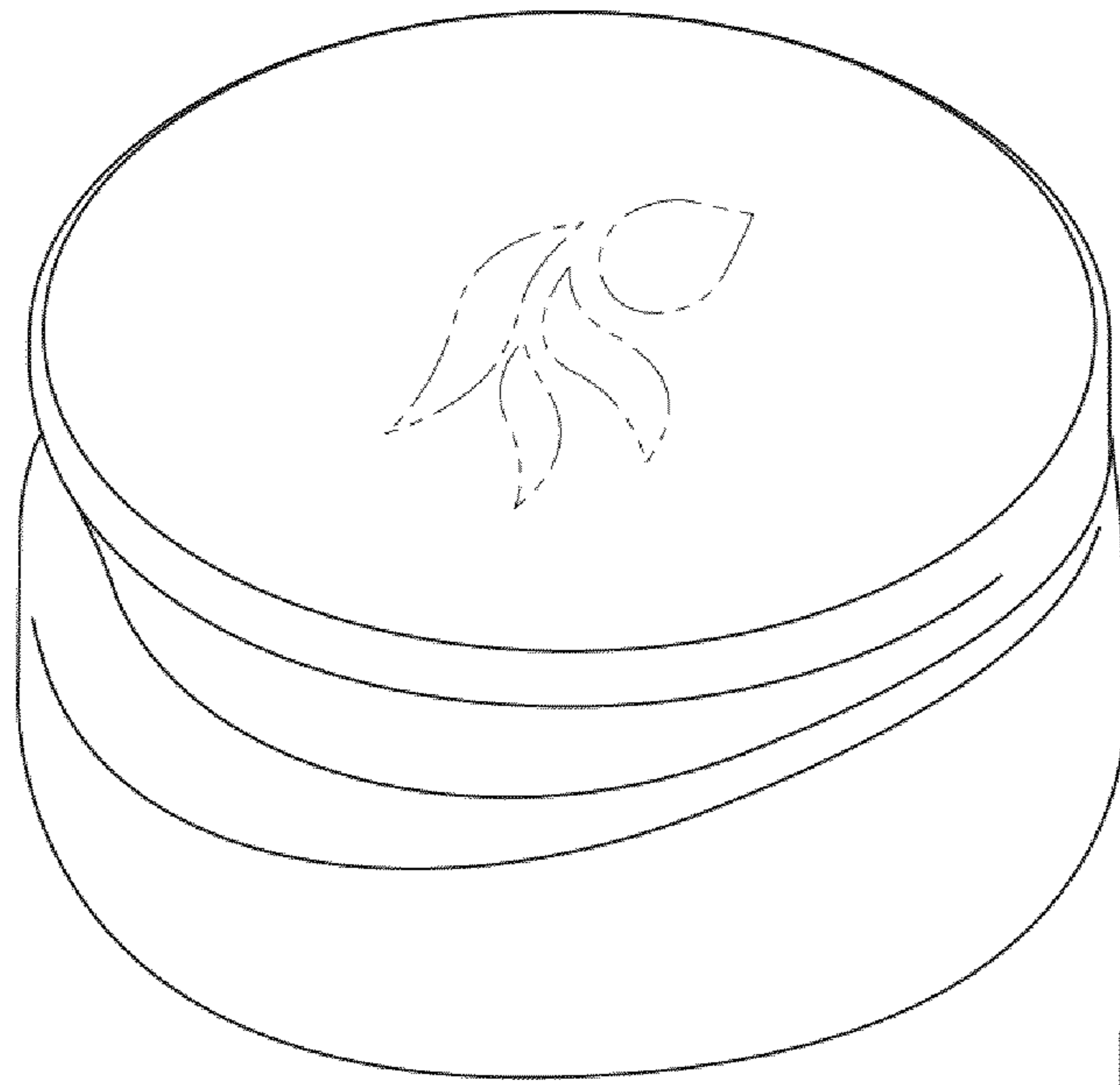


Fig. 1

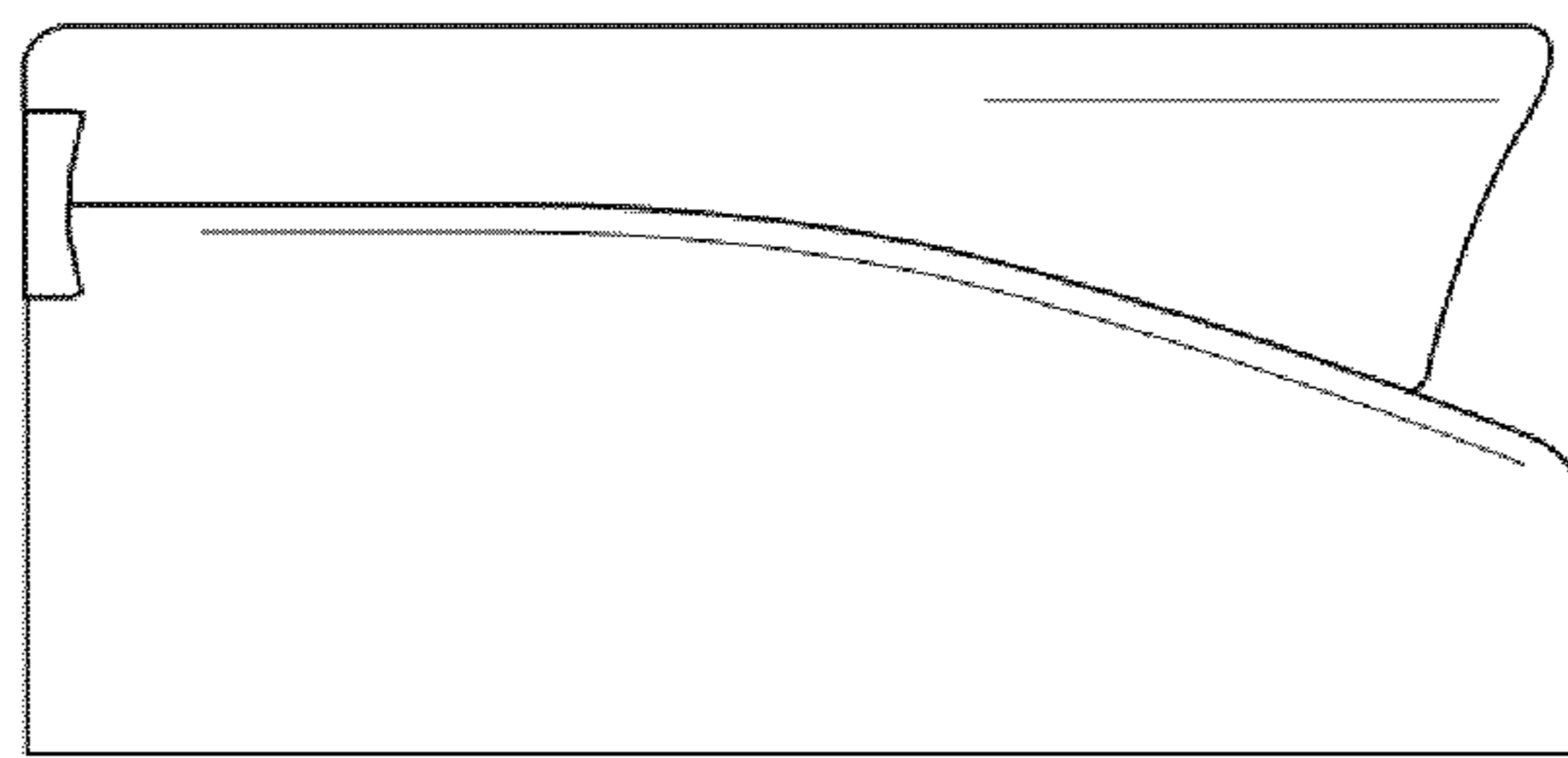


Fig. 2

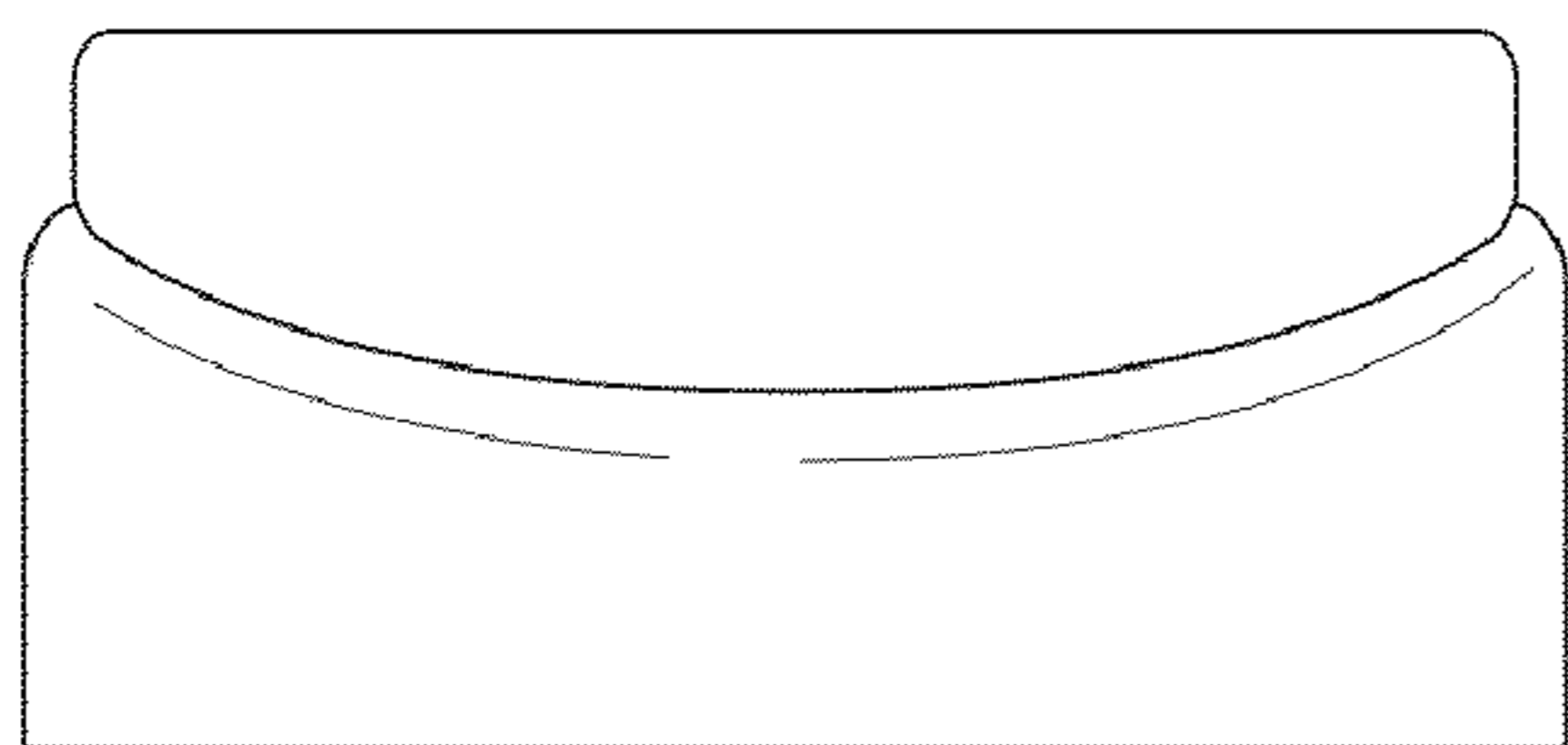


Fig. 3

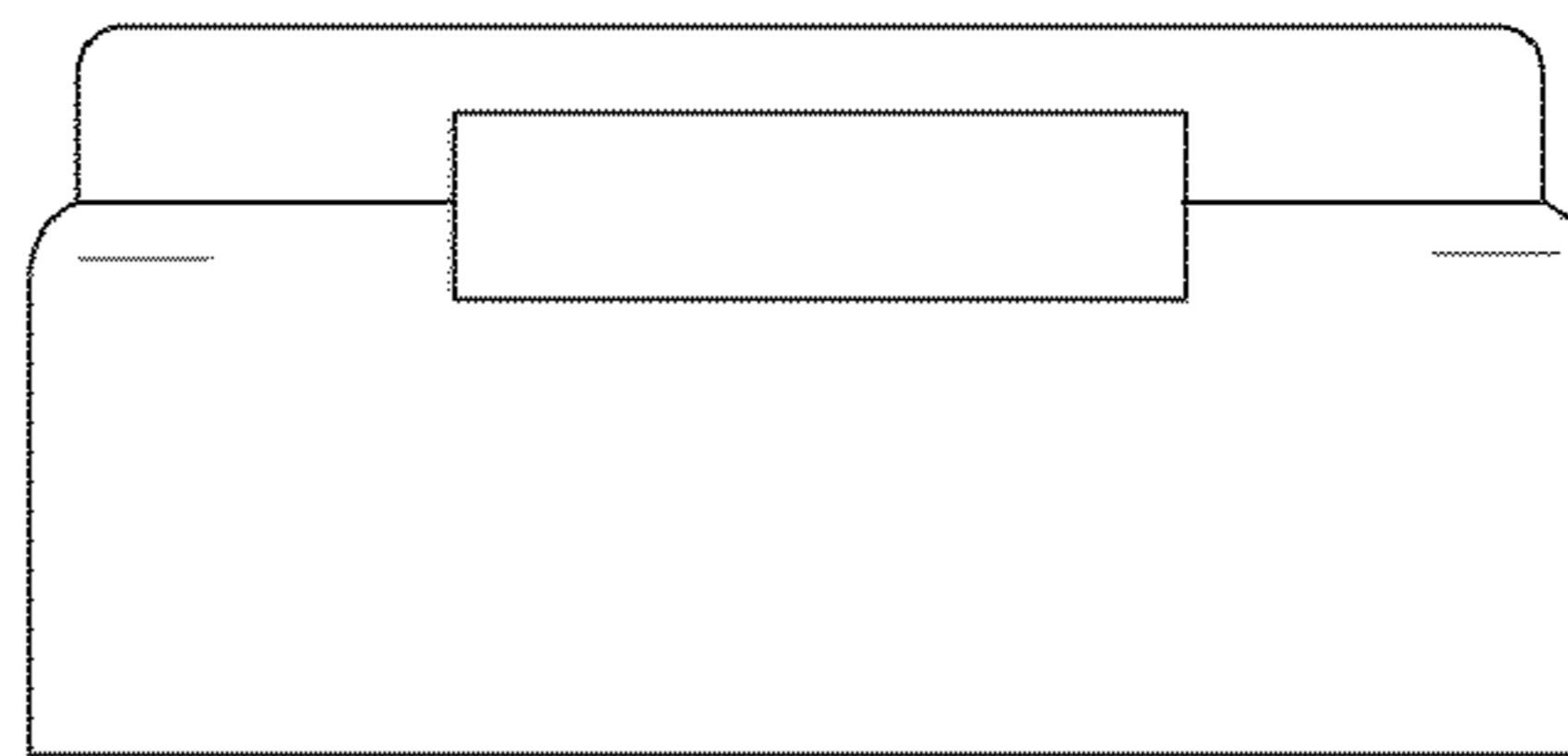


Fig. 4



Fig. 5

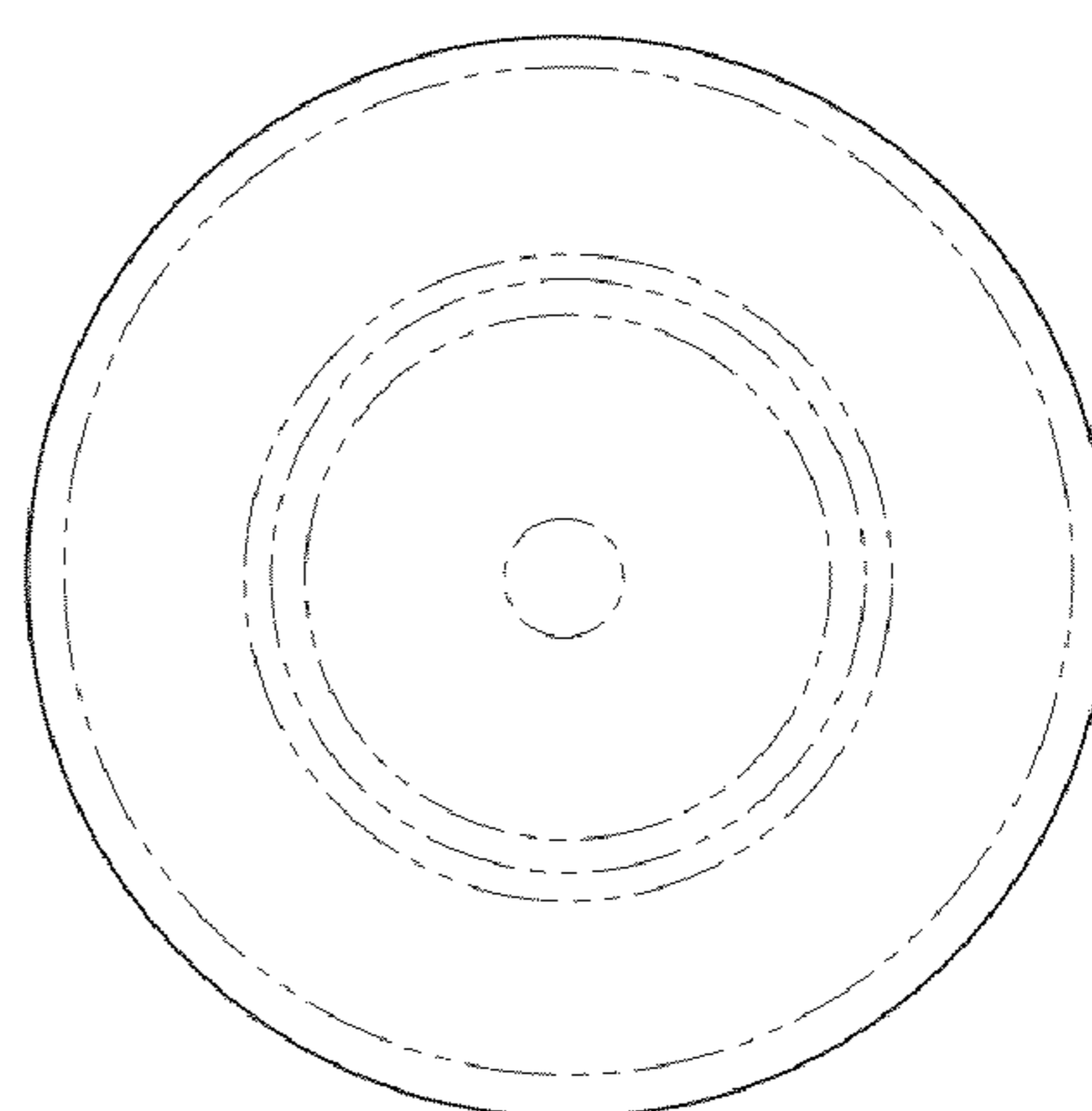


Fig. 6

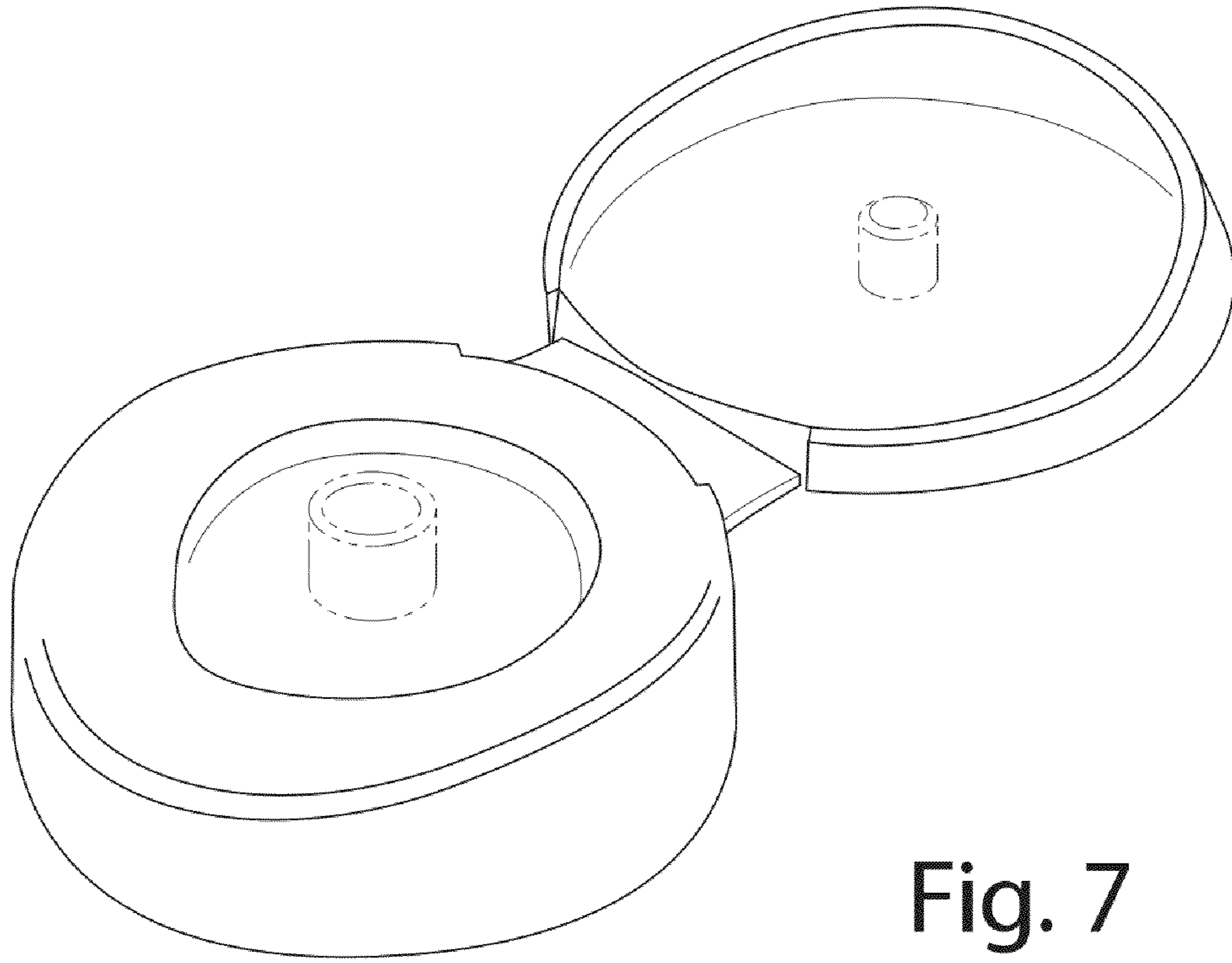


Fig. 7

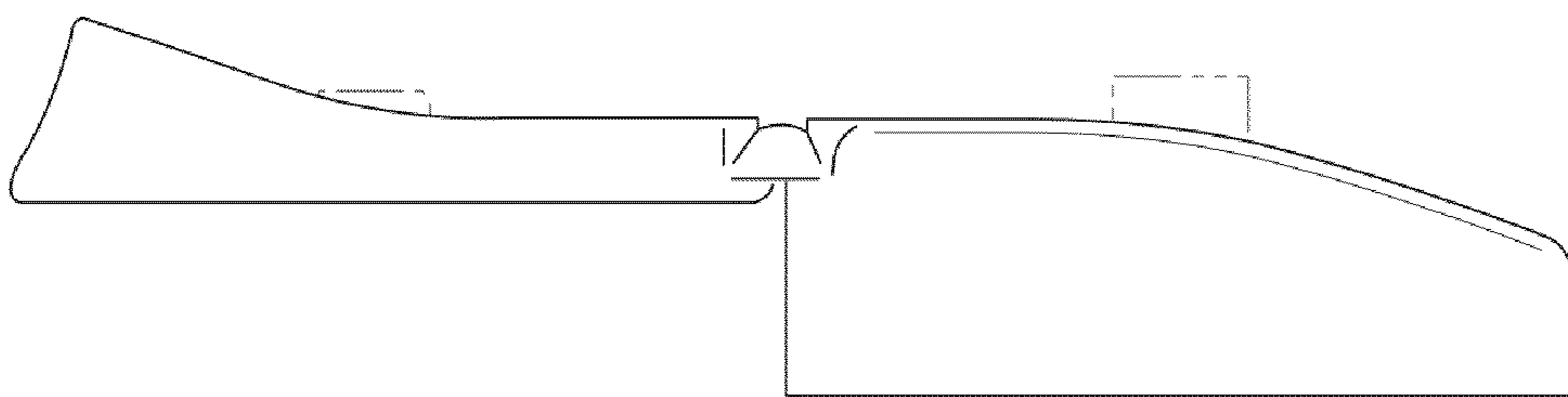


Fig. 8

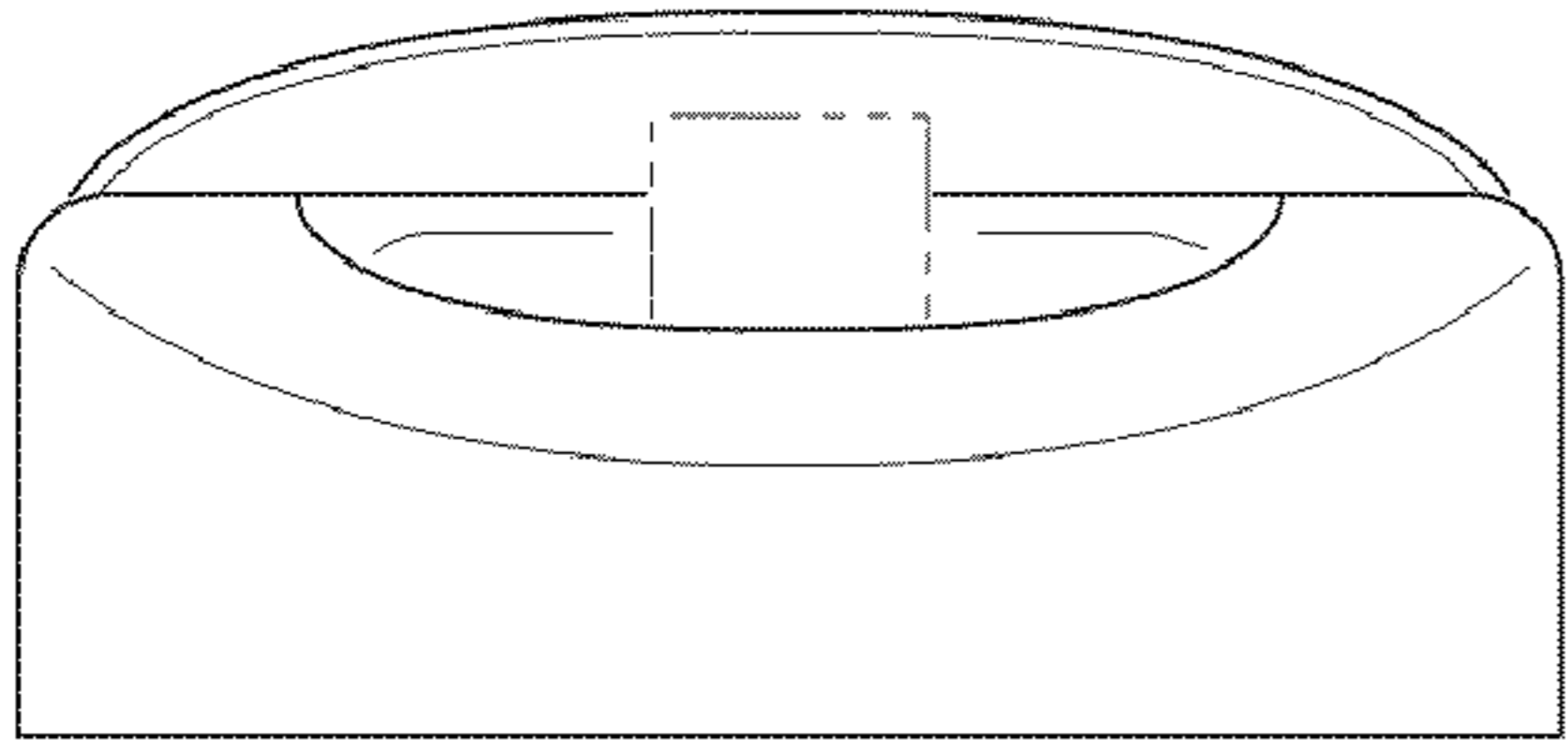


Fig. 9

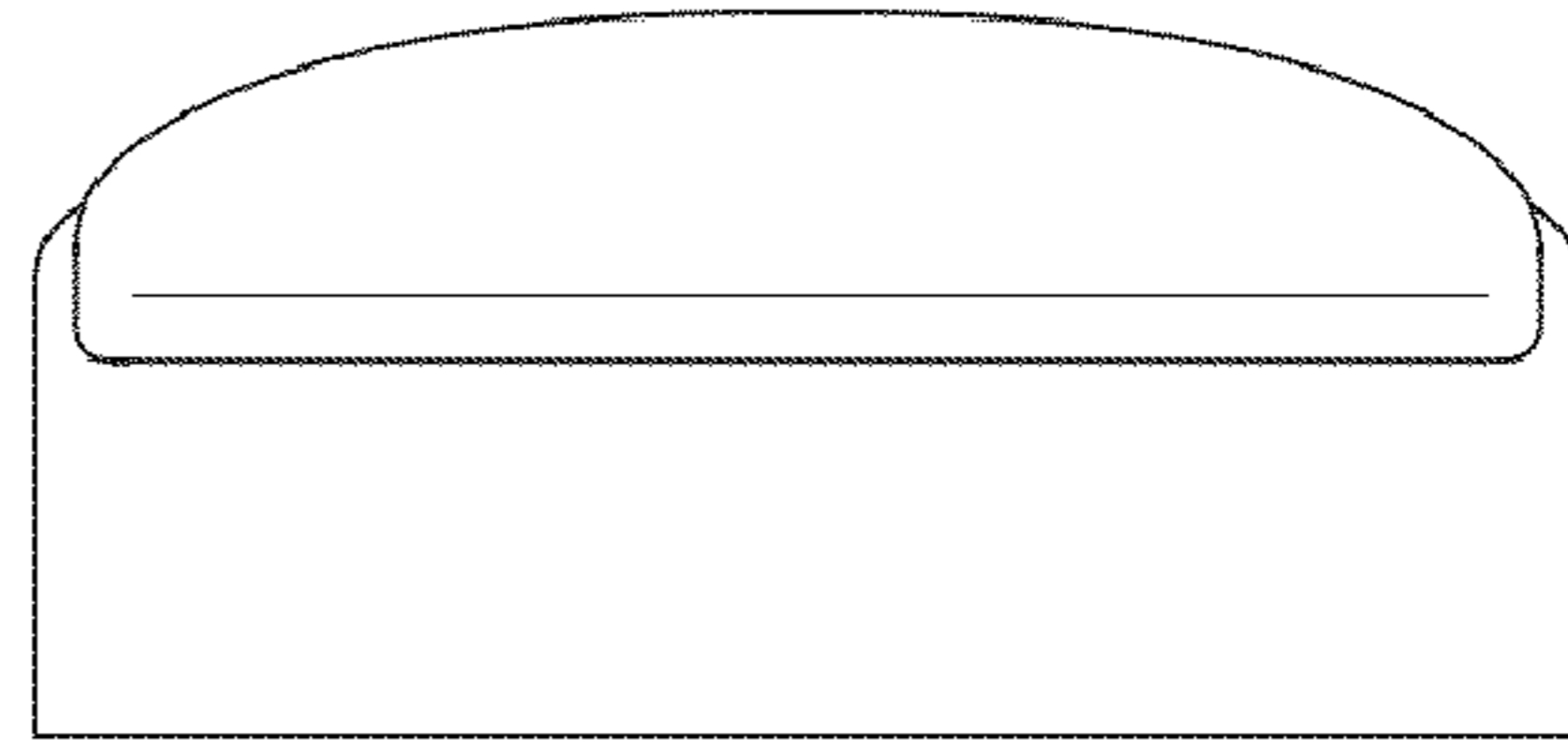


Fig. 10

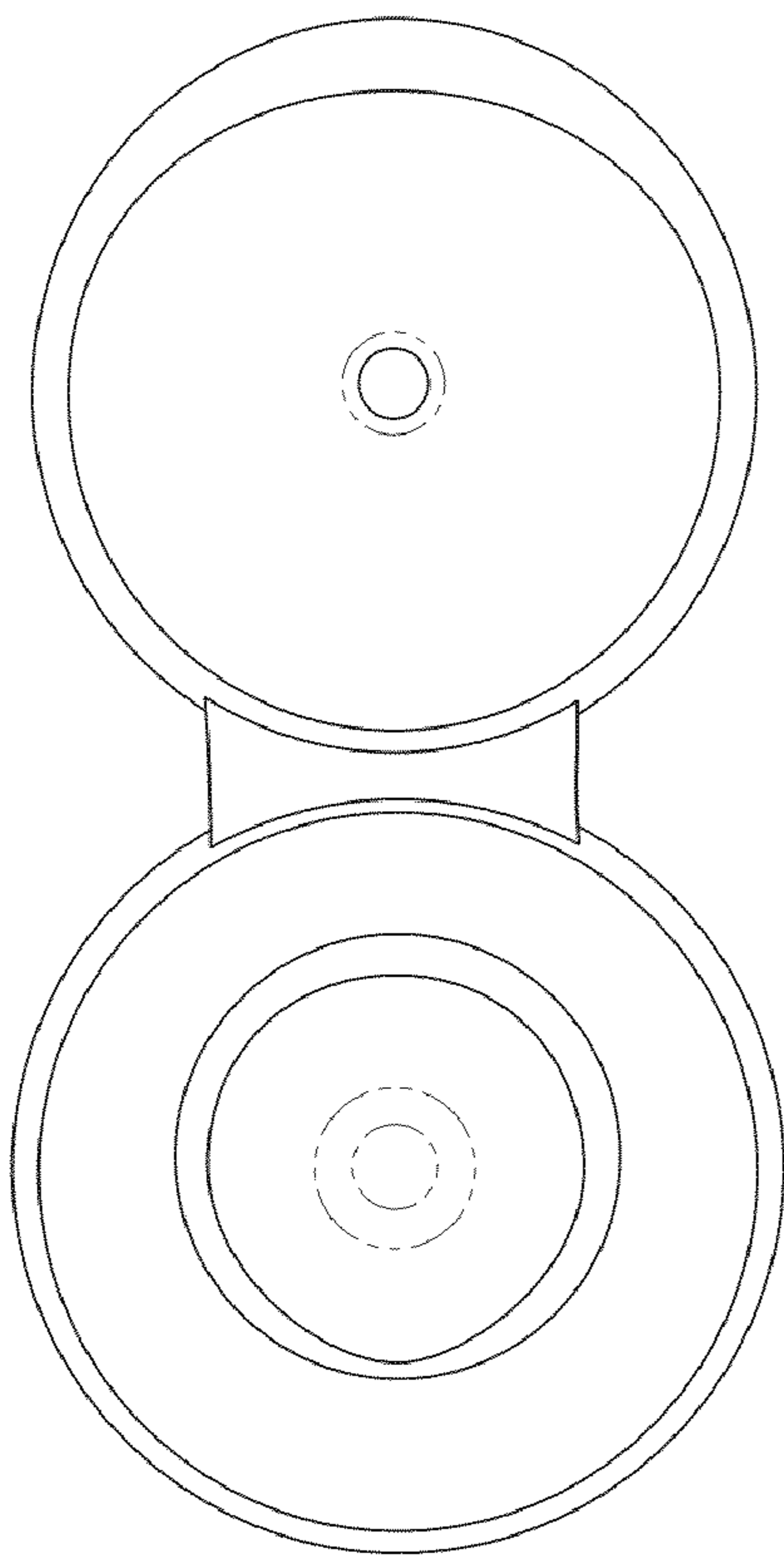


Fig. 11

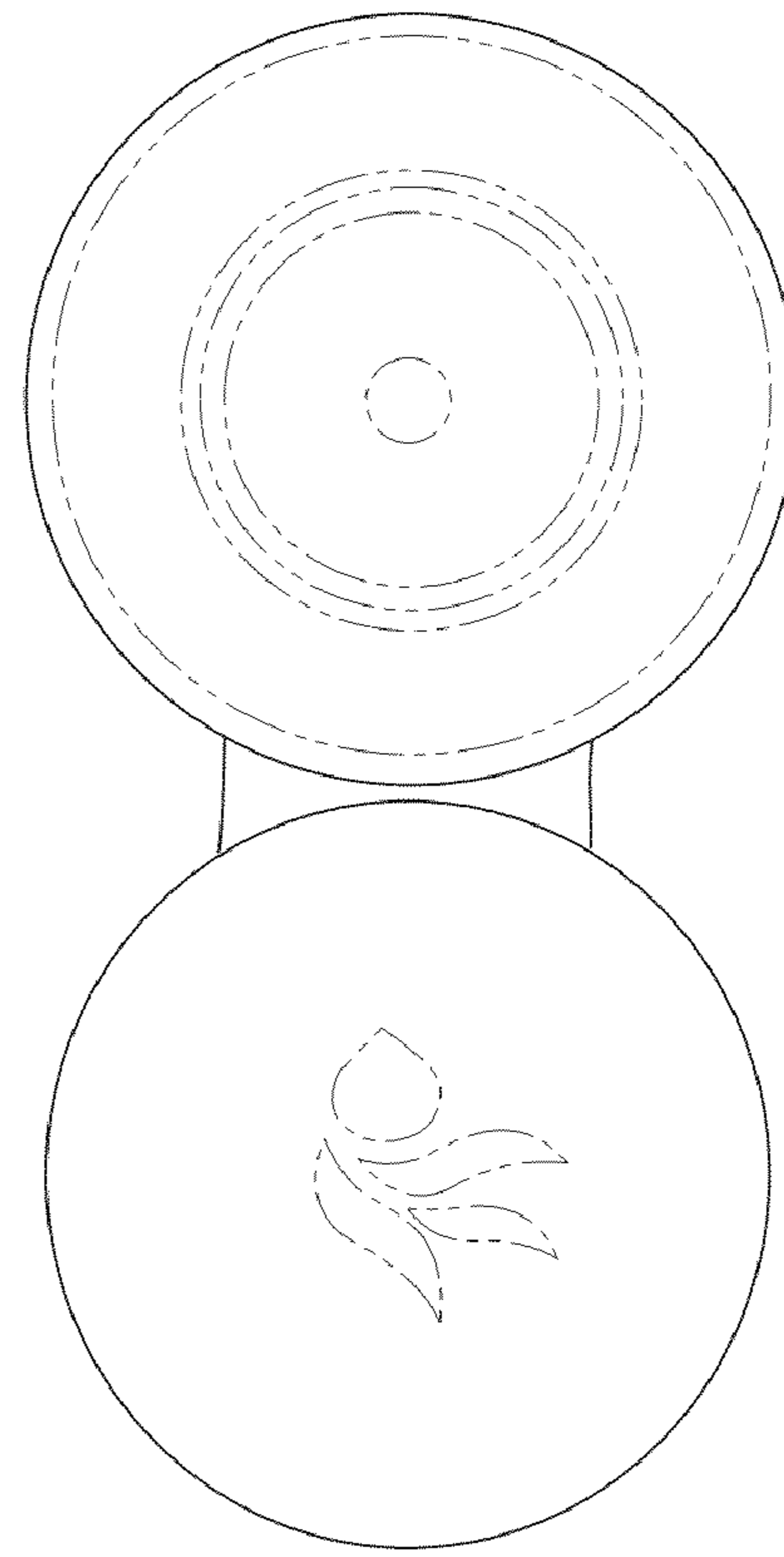


Fig. 12