



US00D679182S

(12) **United States Design Patent**
Papiernik

(10) **Patent No.:** **US D679,182 S**

(45) **Date of Patent:** **** Apr. 2, 2013**

(54) **CAP FOR PERFUME BOTTLE**

(75) Inventor: **Elie Papiernik**, Paris (FR)

(73) Assignee: **Cartier Creation Studio**, Geneva (CH)

(**) Term: **14 Years**

(21) Appl. No.: **29/373,622**

(22) Filed: **May 3, 2011**

(30) **Foreign Application Priority Data**

Nov. 3, 2010 (WO) DM/075 296

(51) **LOC (9) Cl.** **09-07**

(52) **U.S. Cl.** **D9/449**

(58) **Field of Classification Search** D9/529,
D9/503, 454, 453, 449, 447, 446, 442, 440,
D9/435; D7/392.1; 222/556, 521, 494, 492;
220/837, 835, 820, 811, 810, 375, 260, 254.7,
220/254.3; 215/322, 321, 306, 305, 237,
215/235; 206/540, 539, 538, 216

See application file for complete search history.

(56) **References Cited**

U.S. PATENT DOCUMENTS

D576,875 S * 9/2008 Steiger et al. D9/449

* cited by examiner

Primary Examiner — Susan Bennett Hattan

(74) *Attorney, Agent, or Firm* — Krieg DeVault LLP;
Clifford W. Browning

(57) **CLAIM**

The ornamental design for a cap for perfume bottle, as shown and described.

DESCRIPTION

FIG. 1 is a right side view of the cap for perfume bottle of the present invention.

FIG. 2 is a left side view of the cap for perfume bottle of FIG. 1.

FIG. 3 is a top view of the cap for perfume bottle of FIG. 2.

FIG. 4 is a bottom view of the cap for perfume bottle of FIG. 2.

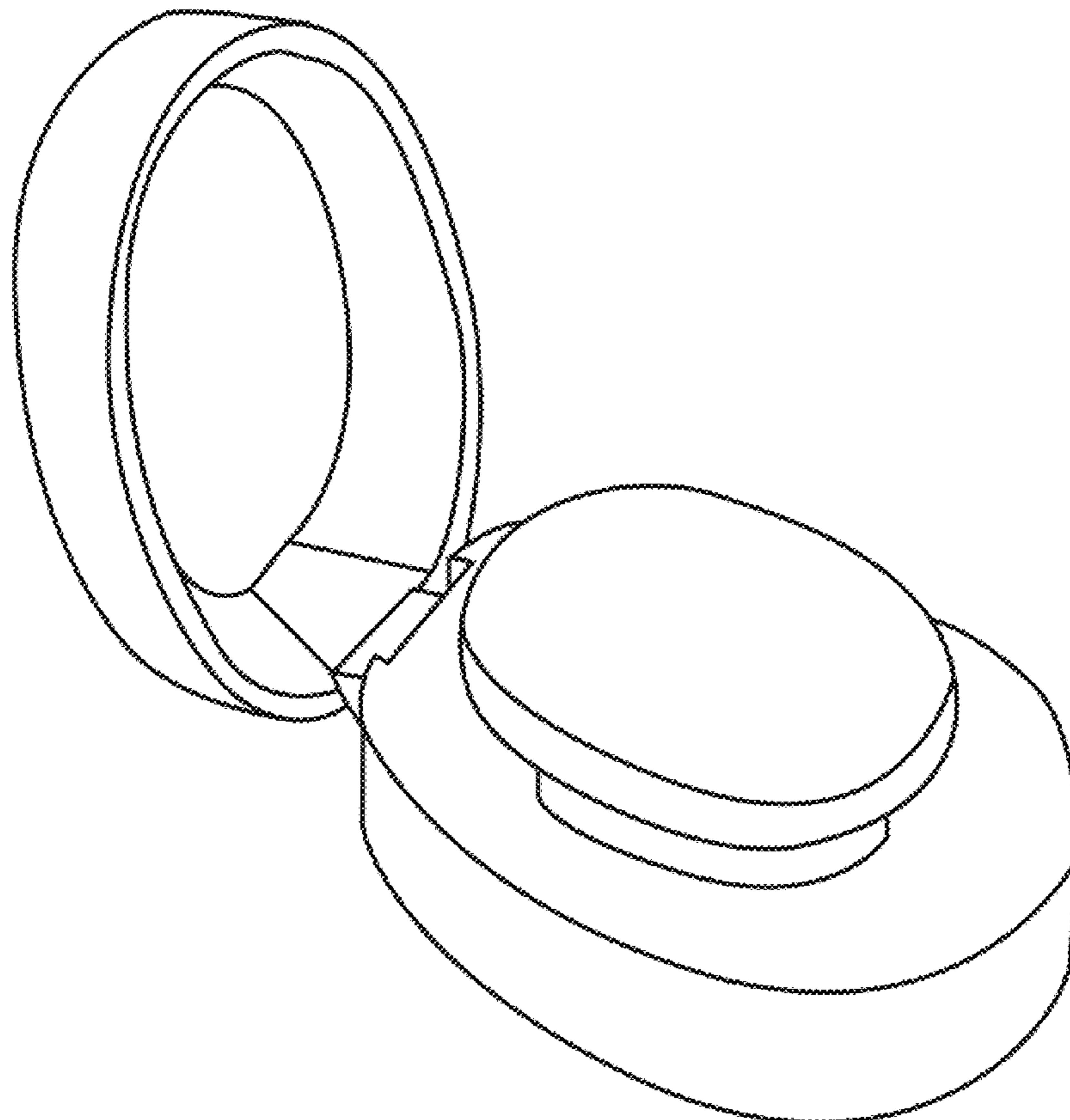
FIG. 5 is a front view of the cap for perfume bottle of FIG. 1.

FIG. 6 is a back view of the cap for perfume bottle of FIG. 1; and,

FIG. 7 is a perspective view of the cap for perfume bottle of FIG. 1.

The broken lines in the drawing depict environmental subject matter only and form no part of the claimed design.

1 Claim, 1 Drawing Sheet



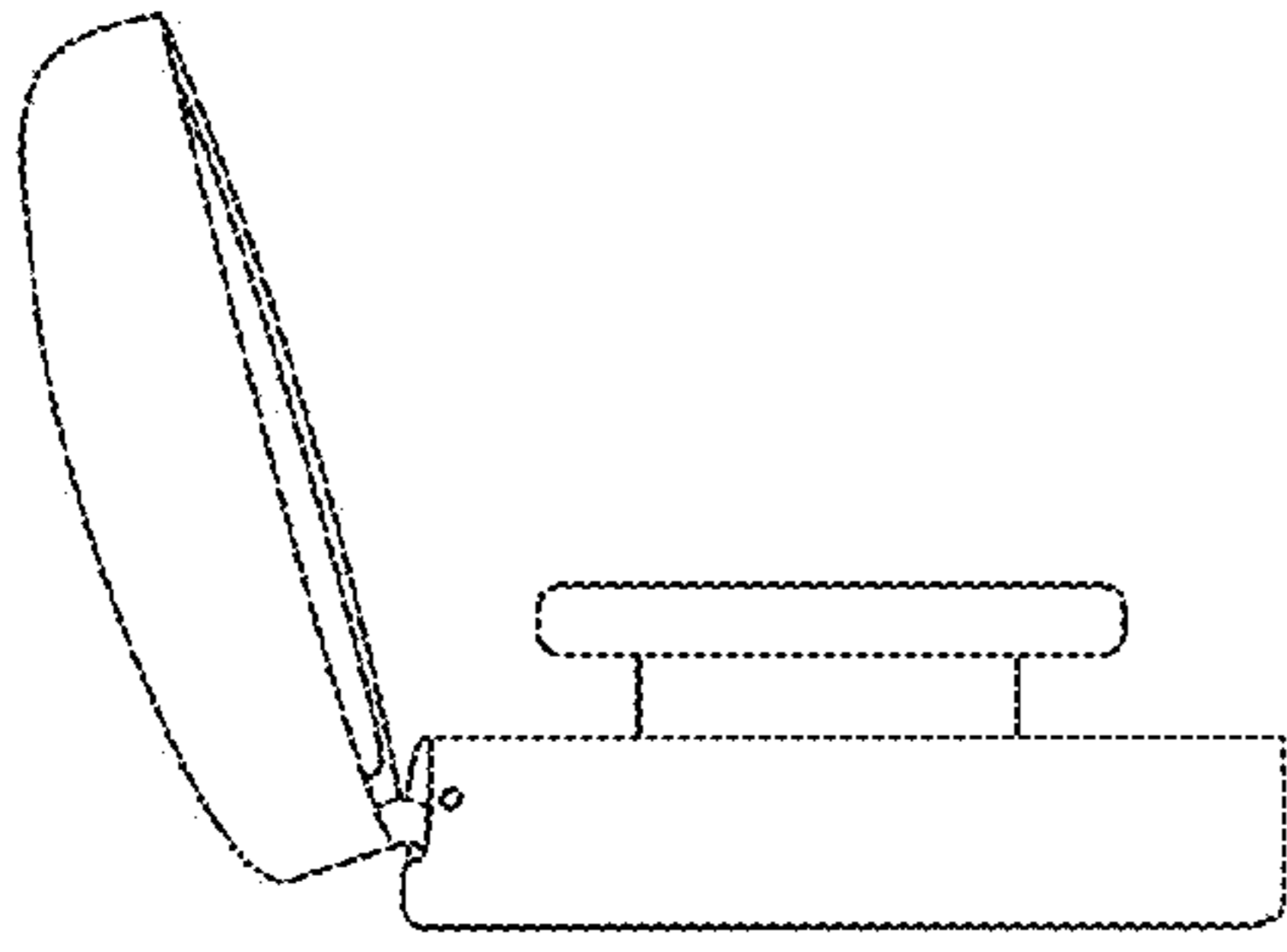


Fig. 1

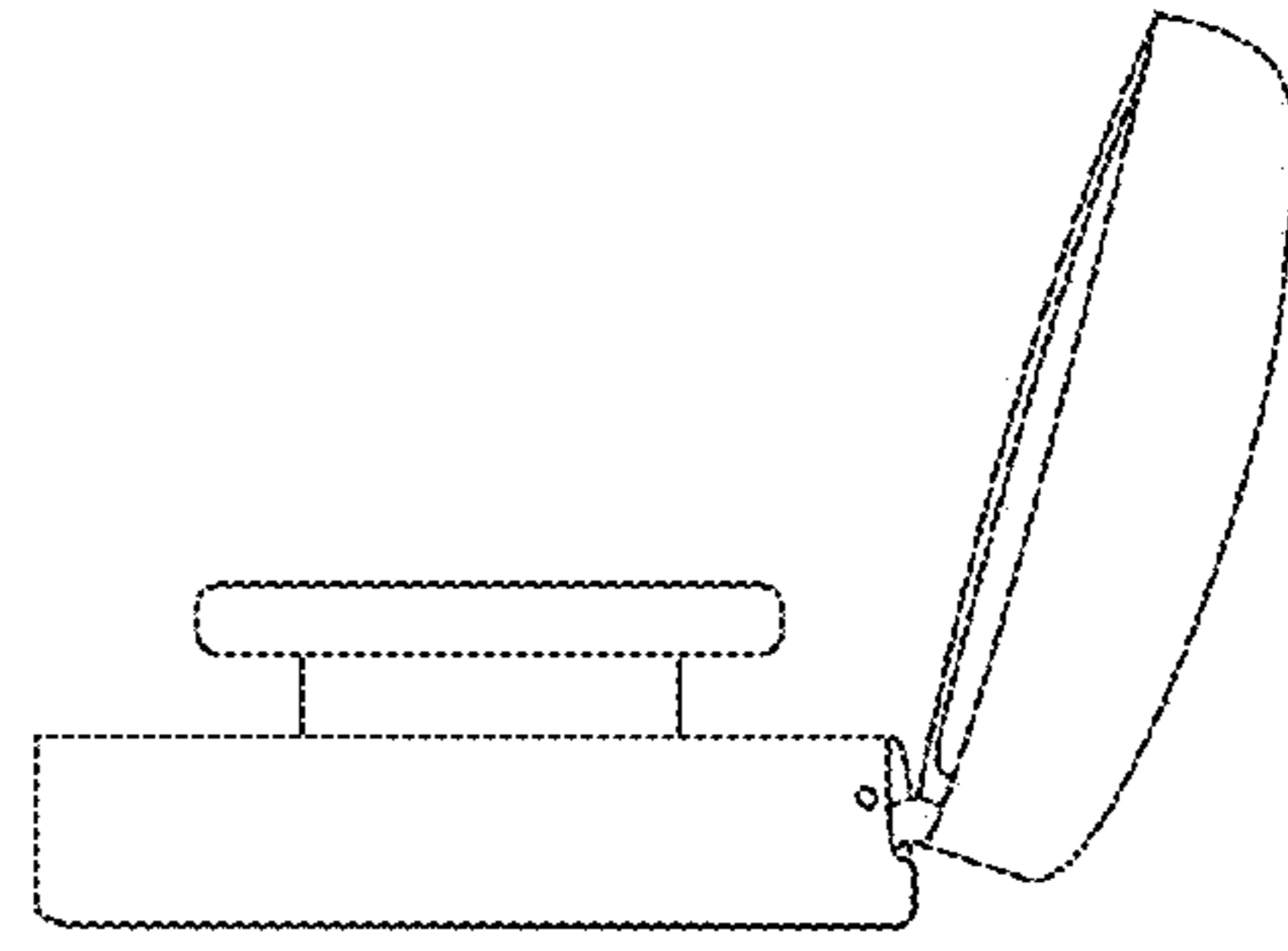


Fig. 2

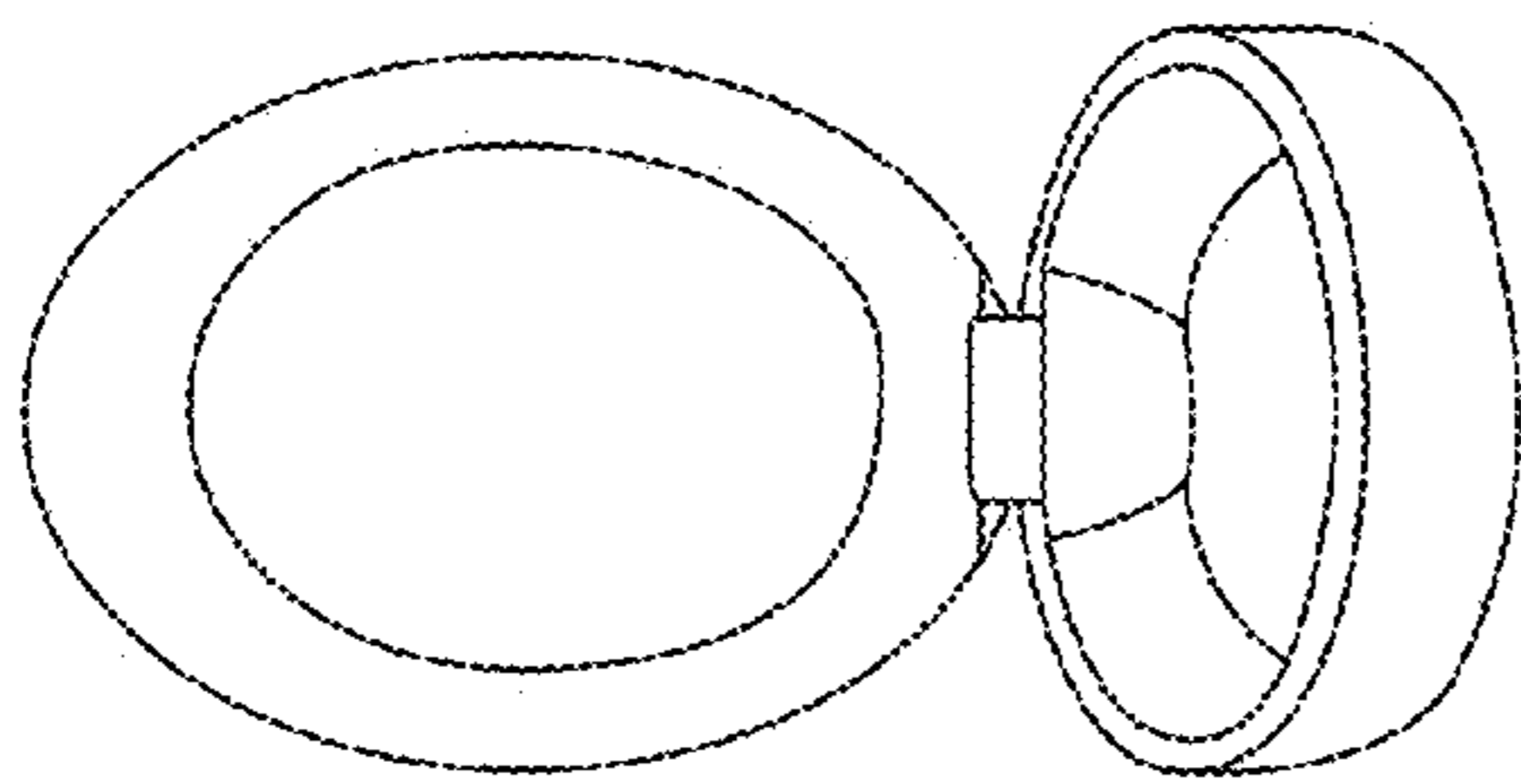


Fig. 3

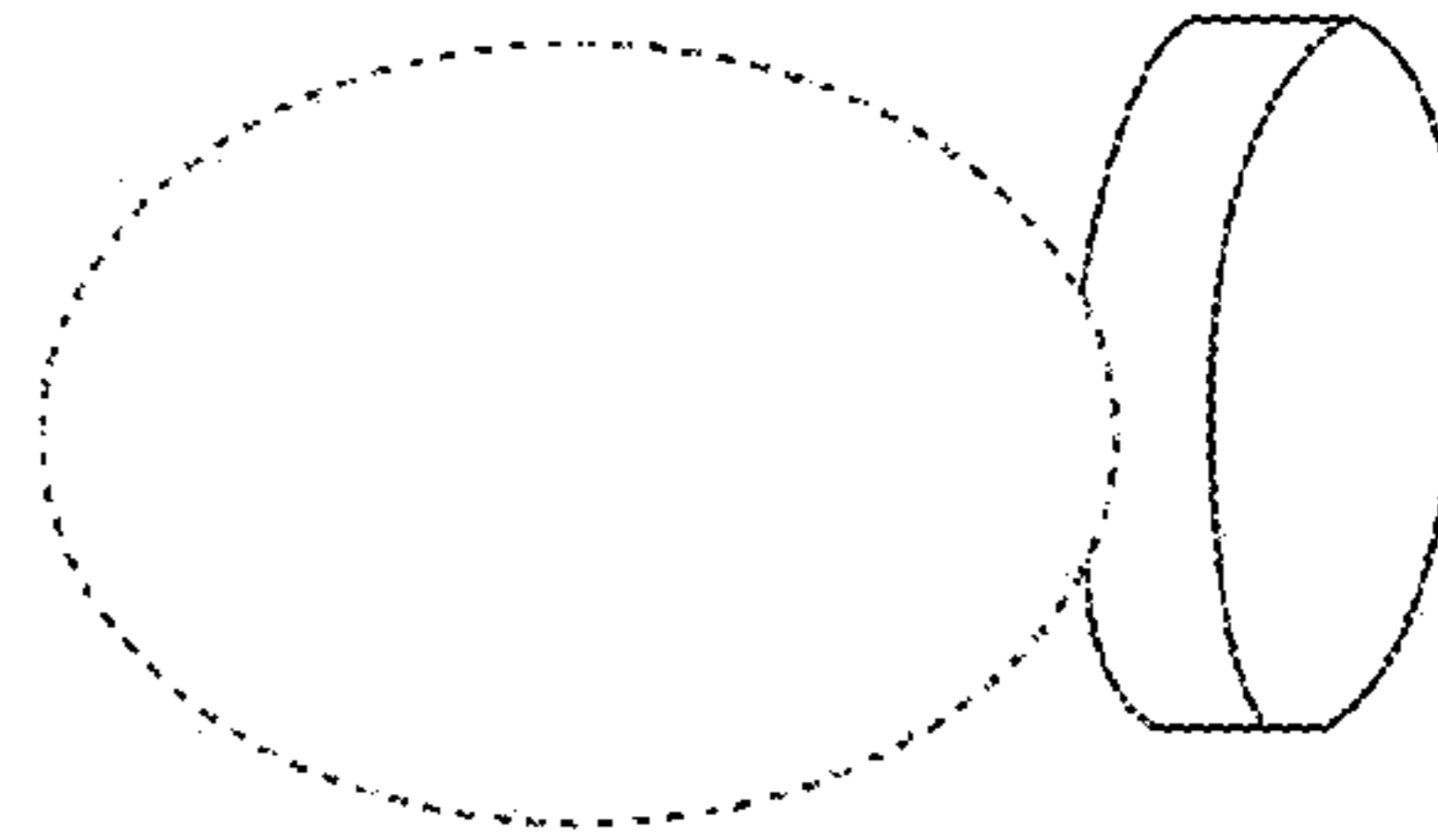


Fig. 4

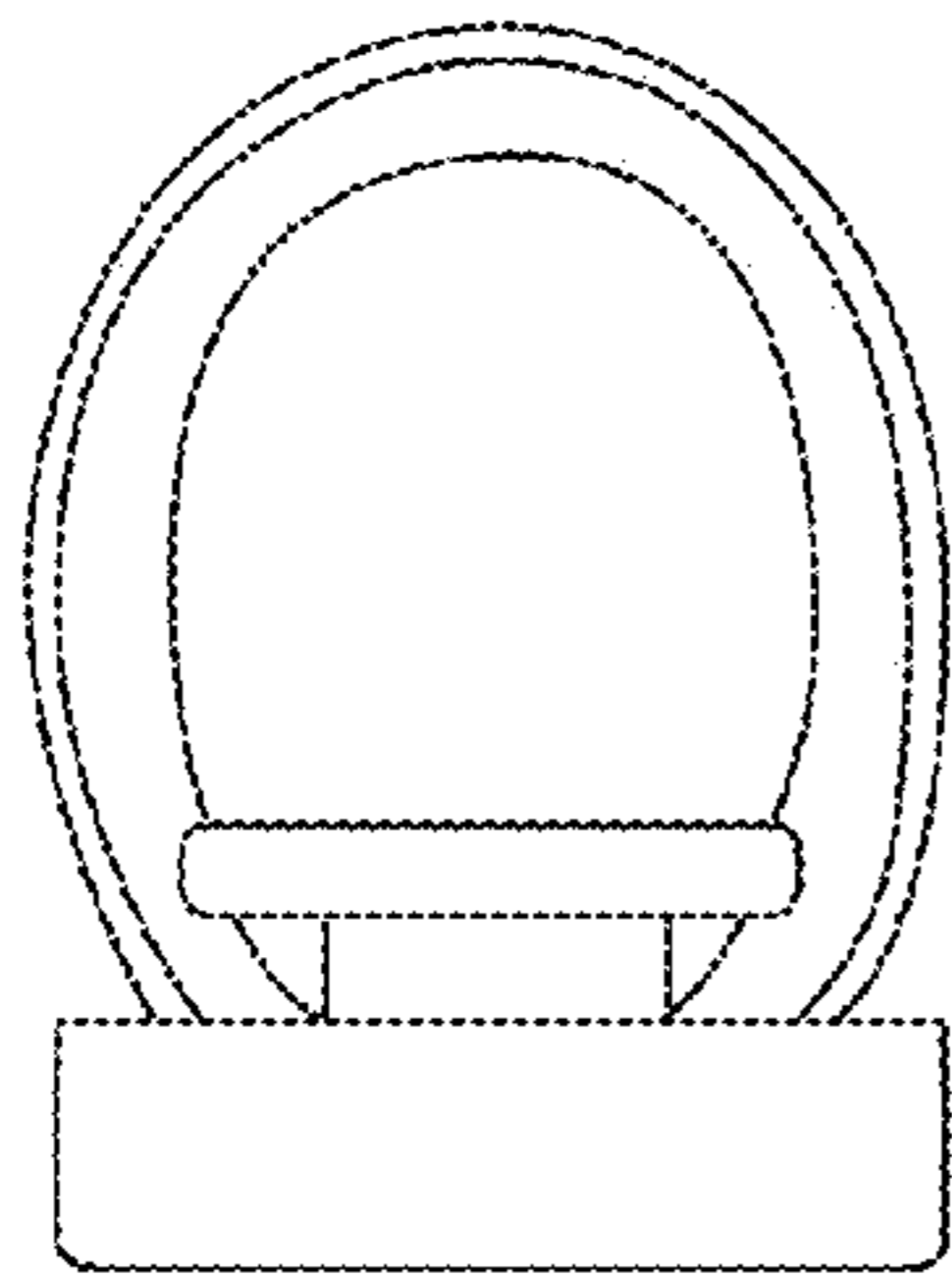


Fig. 5

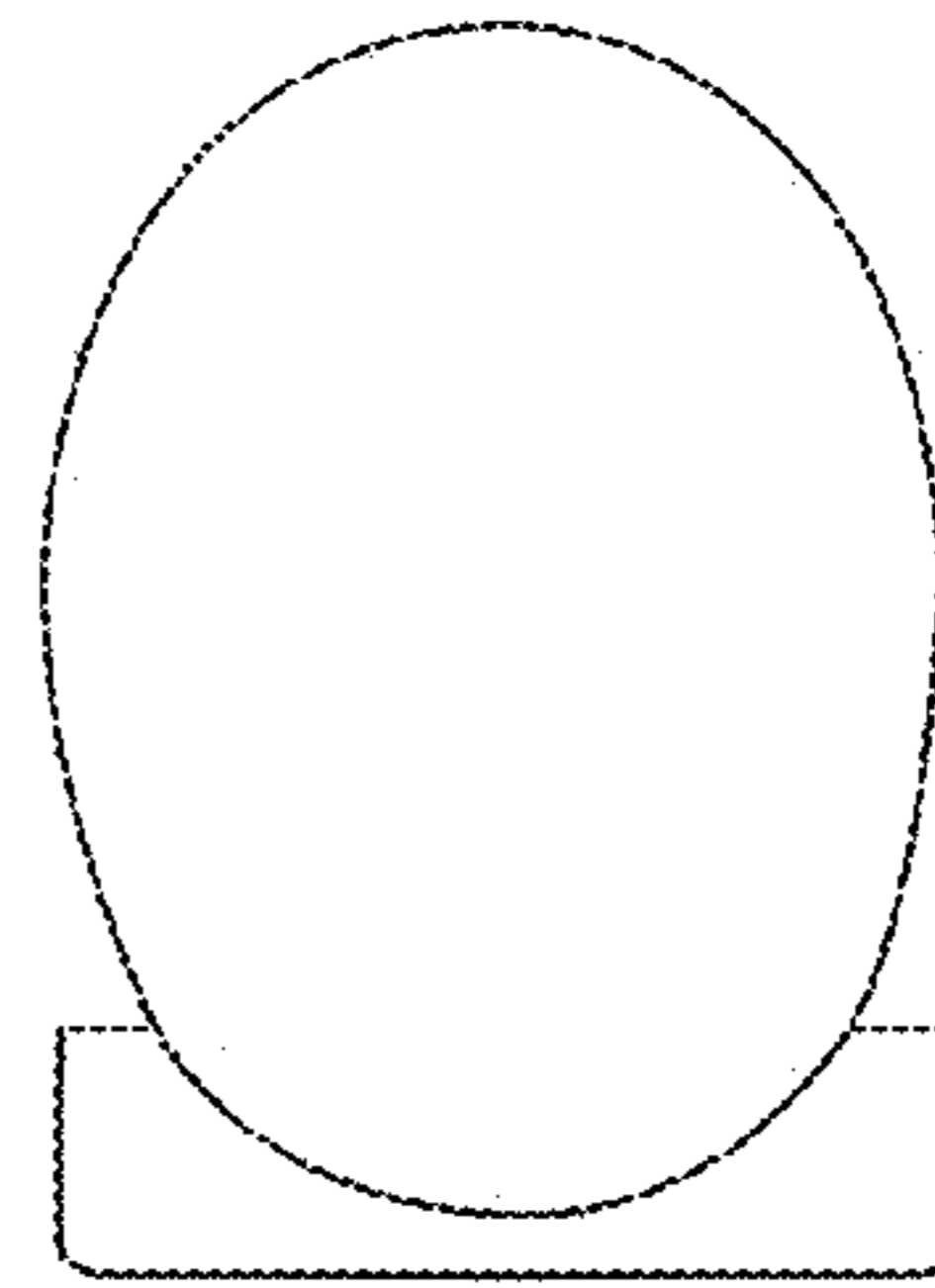


Fig. 6

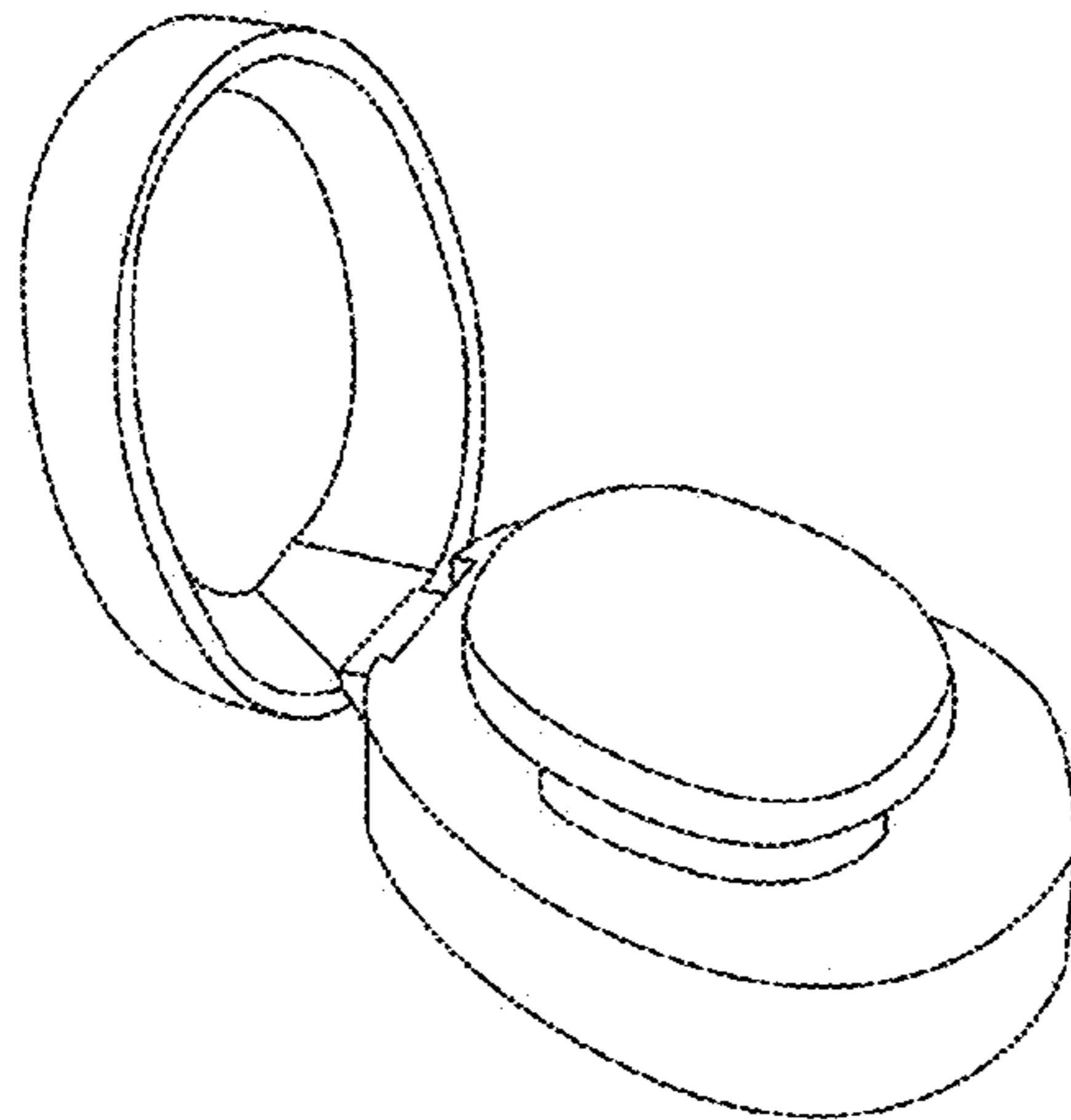


Fig. 7