



US00D679179S

(12) **United States Design Patent**
Ritter et al.

(10) **Patent No.:** **US D679,179 S**

(45) **Date of Patent:** **** Apr. 2, 2013**

(54) **RECLOSABLE PACKAGE**

(75) Inventors: **Timothy A. Ritter**, Mechanicsburg, PA (US); **James R. Breakey**, Mechanicsburg, PA (US); **Eric Zimmerman**, Potomac, MD (US)

(73) Assignee: **Stephen Gould Corporation**, Whippany, NJ (US)

(**) Term: **14 Years**

(21) Appl. No.: **29/420,330**

(22) Filed: **May 8, 2012**

(51) **LOC (9) Cl.** **09-03**

(52) **U.S. Cl.** **D9/424**

(58) **Field of Classification Search** D9/414, D9/415, 416, 423, 424, 425, 432, 439, 440, D9/455, 506, 518, 522, 523, 529, 530, 544, D9/545, 553, 564, 566, 763, 753, 757, 760, D9/761, 764, 772, 773, 776; 206/216, 232, 206/349, 365, 461, 462, 463, 467, 470, 471, 206/469, 539, 543, 557, 771, 806, 824; 220/4.22, 220/4.23, 254.1, 254.3

See application file for complete search history.

(56) **References Cited**

U.S. PATENT DOCUMENTS

4,408,693	A *	10/1983	Brewaeys et al.	206/461
D275,453	S *	9/1984	Bankier	D9/415
D291,064	S *	7/1987	Haber et al.	D9/415
4,687,129	A *	8/1987	Cugley	220/315
D420,905	S *	2/2000	Adkins	D9/415
D613,944	S *	4/2010	Molina	D3/294

D631,371	S *	1/2011	Borgheim et al.	D9/733
7,931,148	B2 *	4/2011	Hansen et al.	206/470
2005/0269232	A1 *	12/2005	Eisenbraun	206/461

* cited by examiner

Primary Examiner — Derrick Holland

Assistant Examiner — Lauren Calve

(74) *Attorney, Agent, or Firm* — Drinker, Biddle & Reath, LLP

(57) **CLAIM**

The ornamental design for a reclosable package, as shown and described.

DESCRIPTION

FIG. 1 is a top rear perspective view of a reclosable package, disclosing our new design;

FIG. 2 is a bottom rear perspective view thereof;

FIG. 3 is a front plan view thereof;

FIG. 4 is a rear plan view thereof;

FIG. 5 is a top plan view thereof;

FIG. 6 is a bottom plan view thereof;

FIG. 7 is top plan view thereof;

FIG. 8 is a bottom plan view thereof;

FIG. 9 is a sectioned view taken from FIG. 6;

FIG. 10 is a front bottom perspective view with cover half opened;

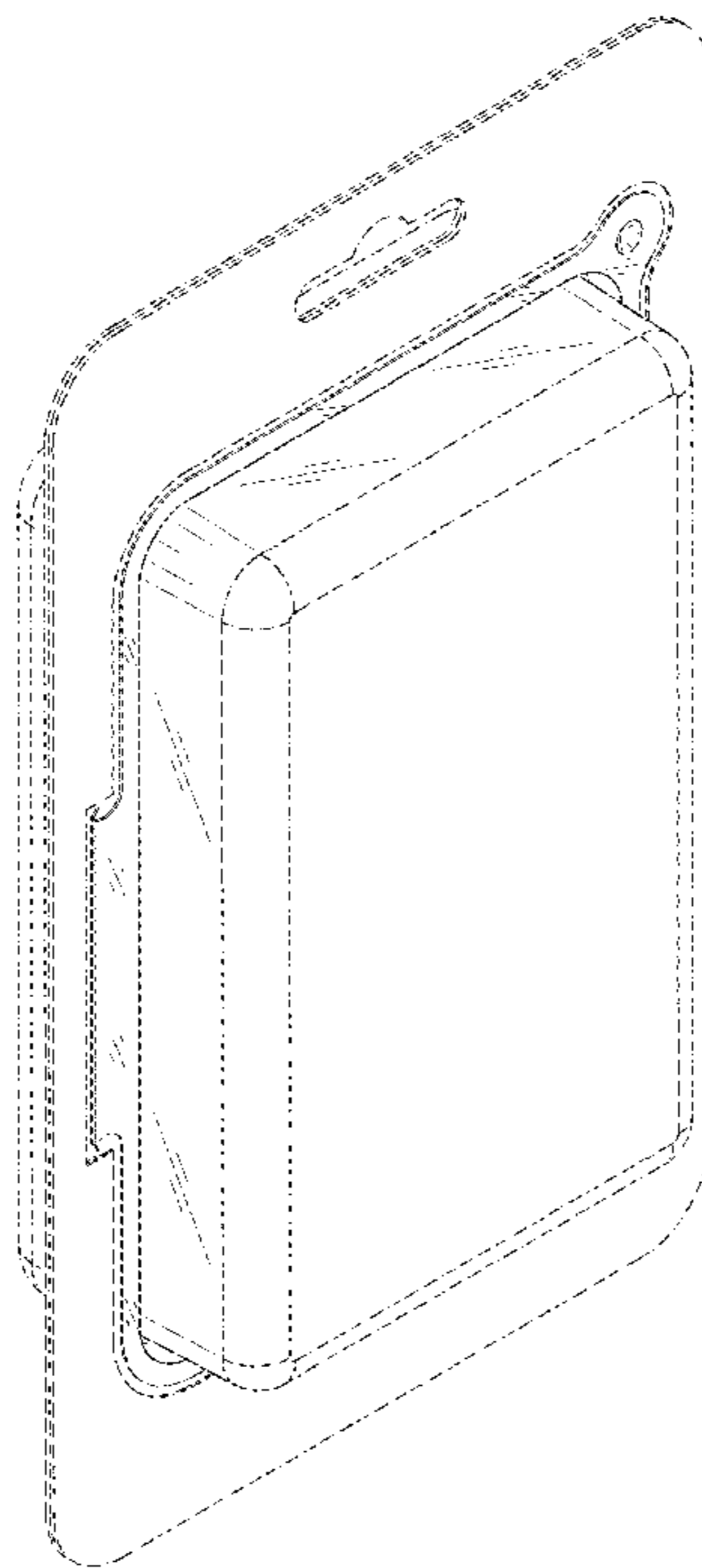
FIG. 11 is a rear top perspective view with the cover half-opened;

FIG. 12 is a front perspective view with the cover fully opened; and,

FIG. 13 is an enlarged fragmental portion of FIG. 4.

The portions of the package shown in broken lines form no part of the claimed design.

1 Claim, 9 Drawing Sheets



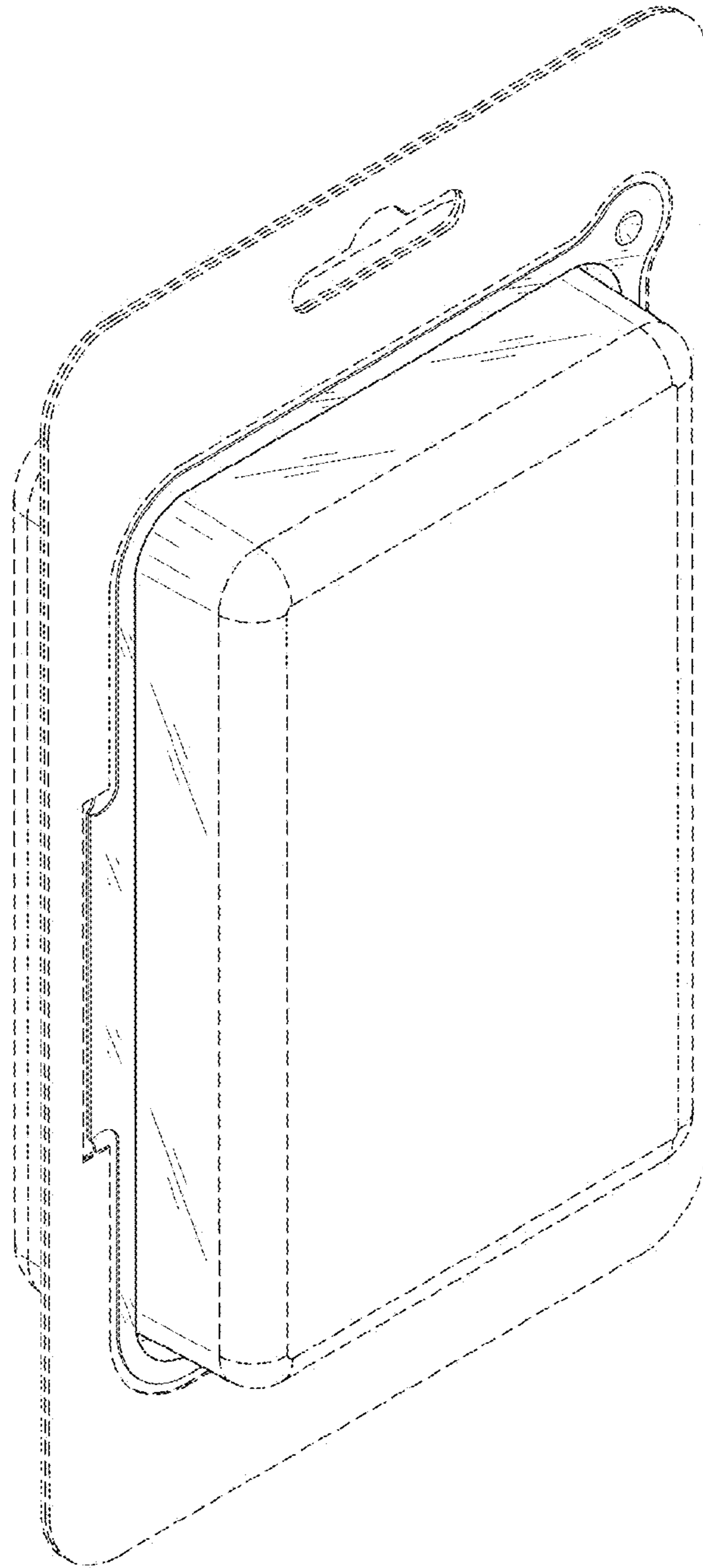


FIG-1

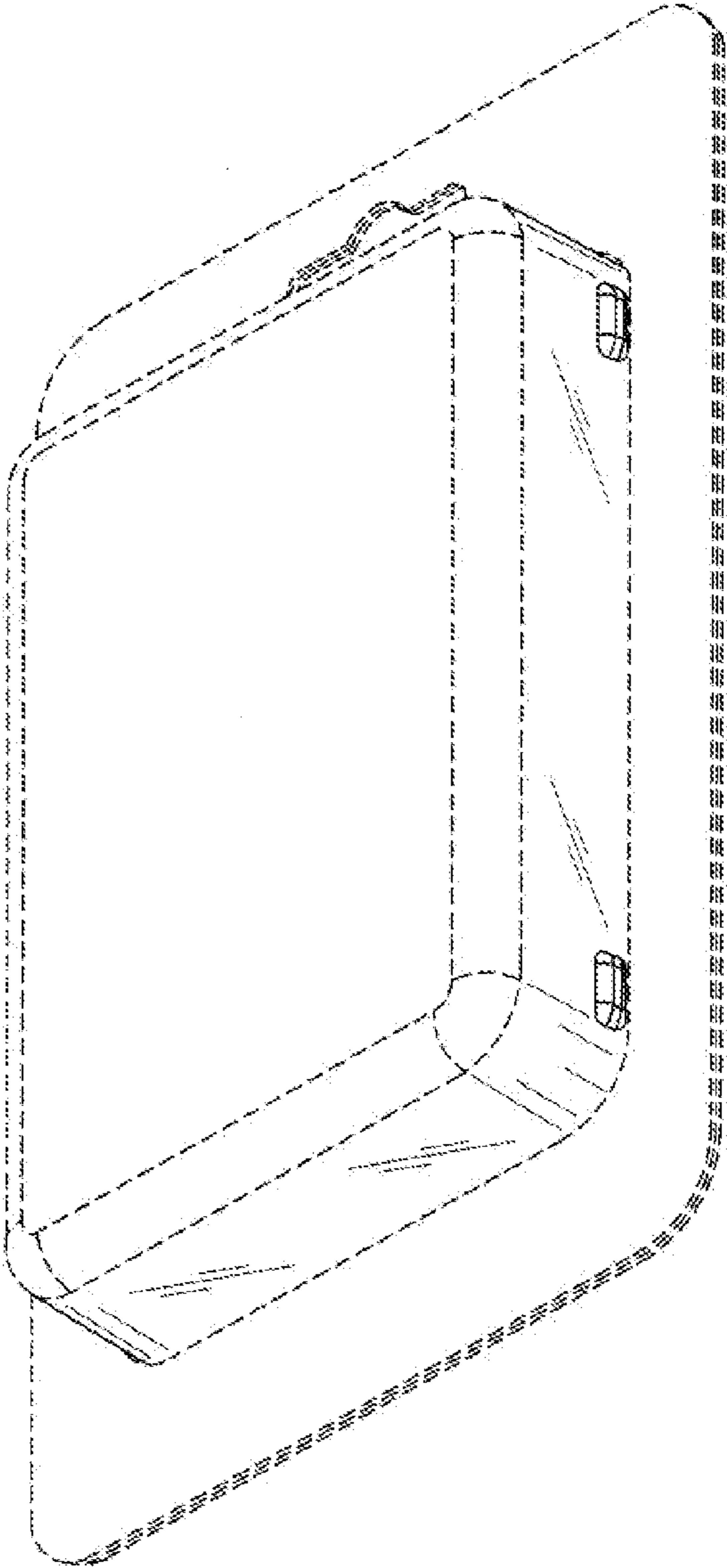


FIG. 2

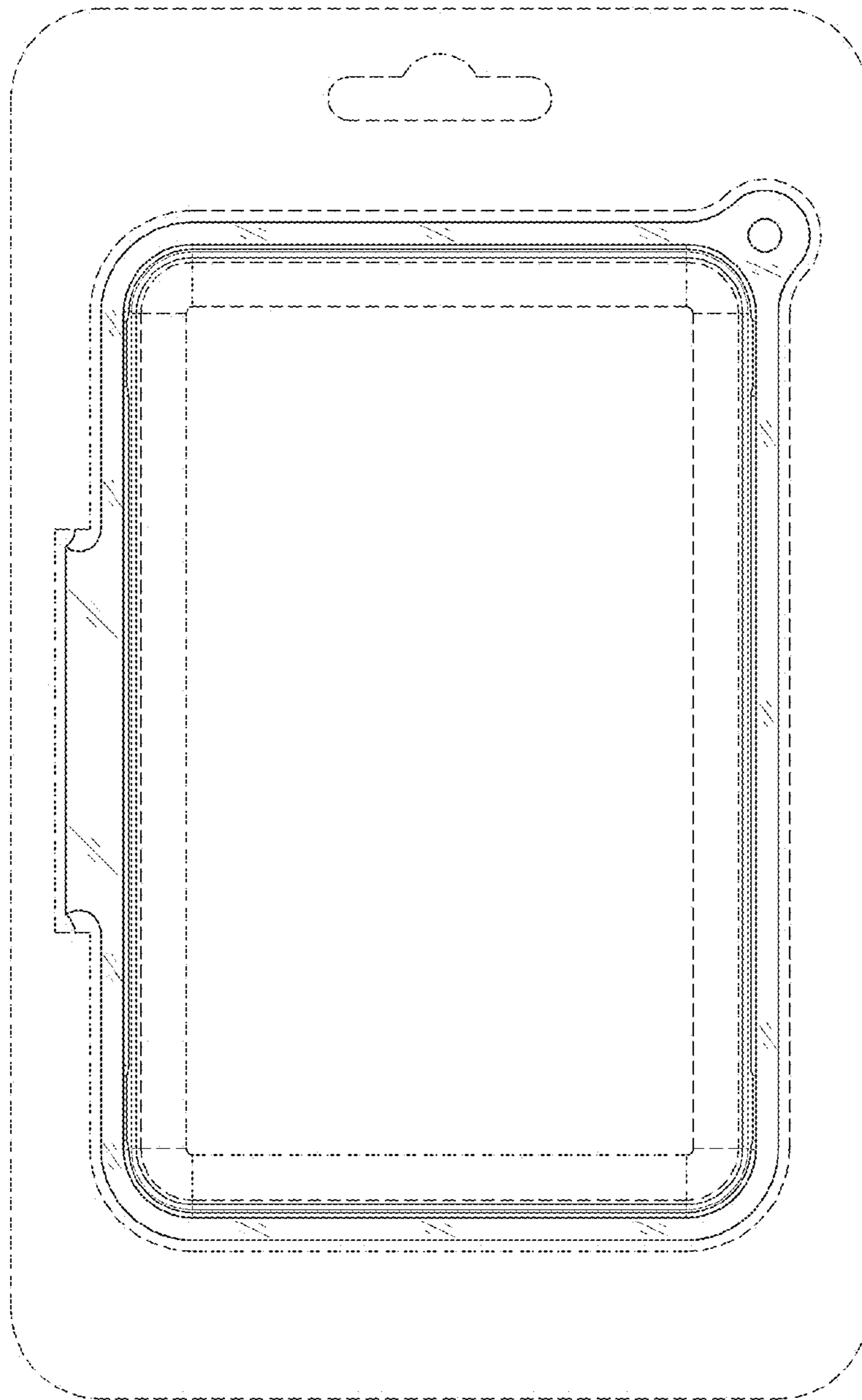


FIG-3

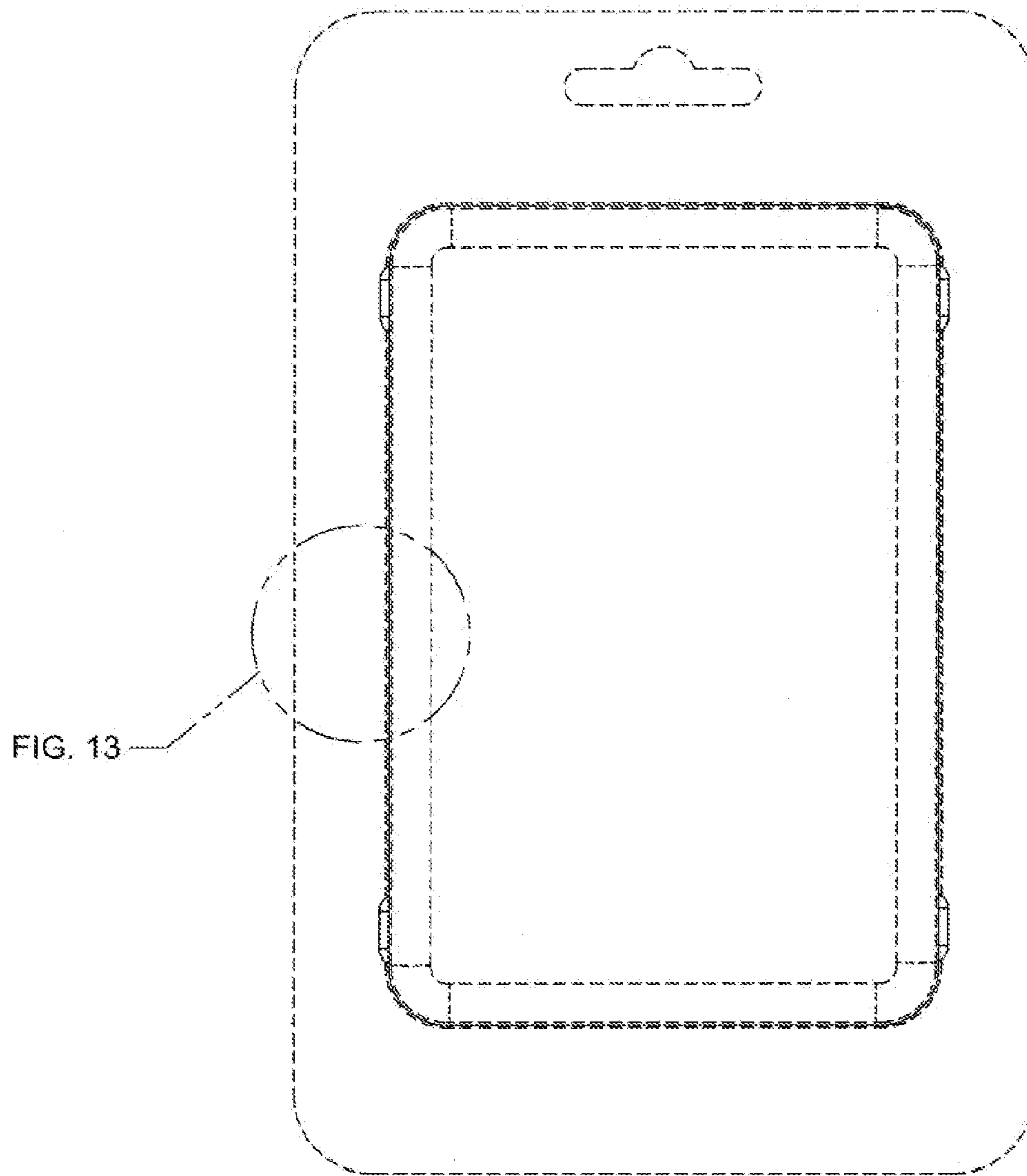


FIG. 13

FIG. 4

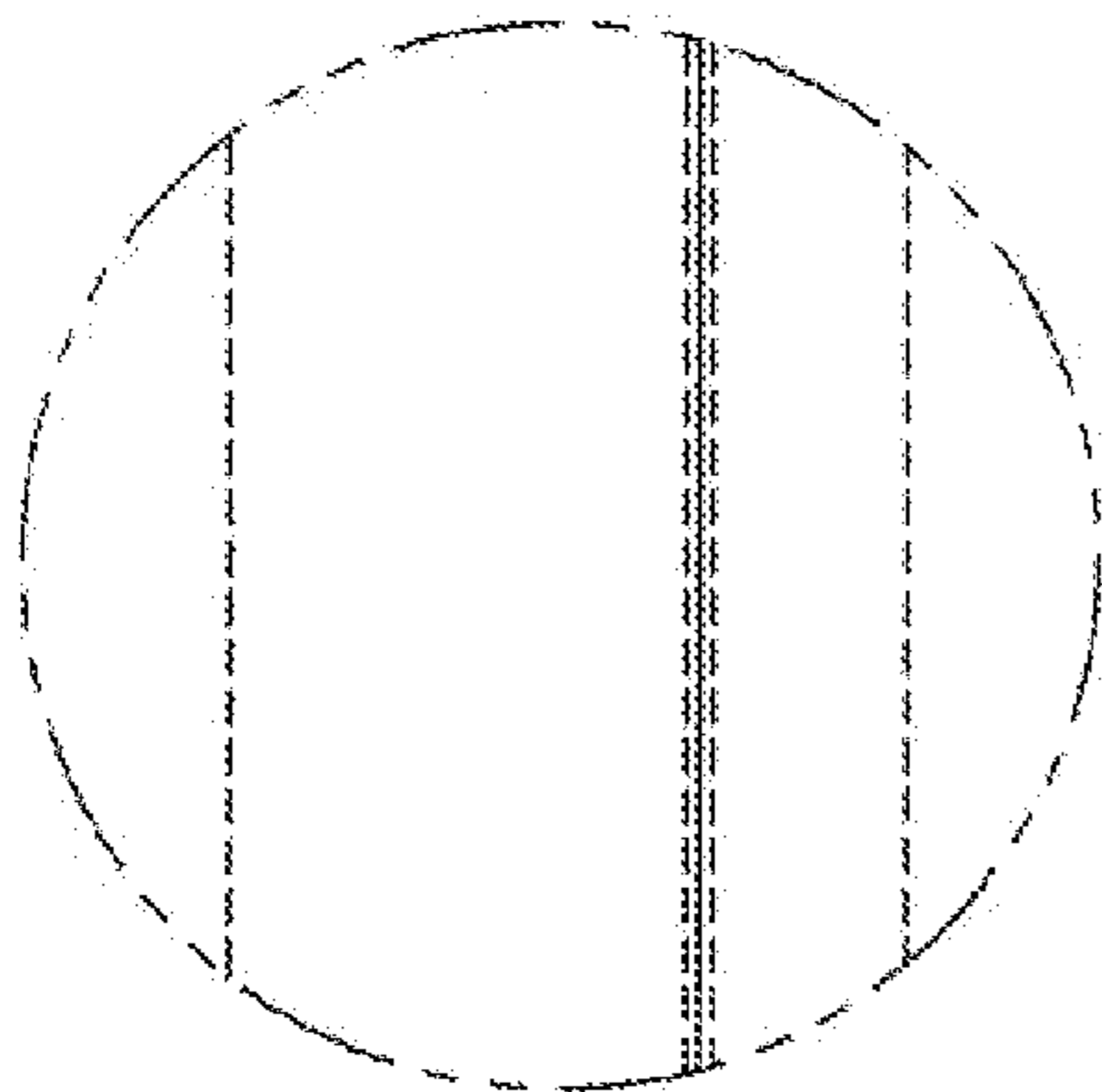


FIG. 13

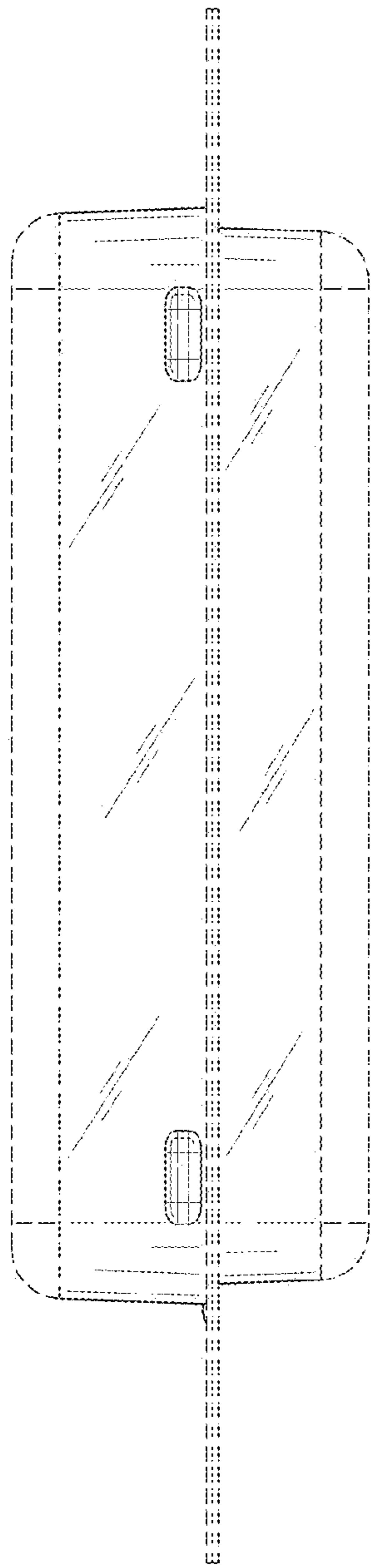


FIG-5

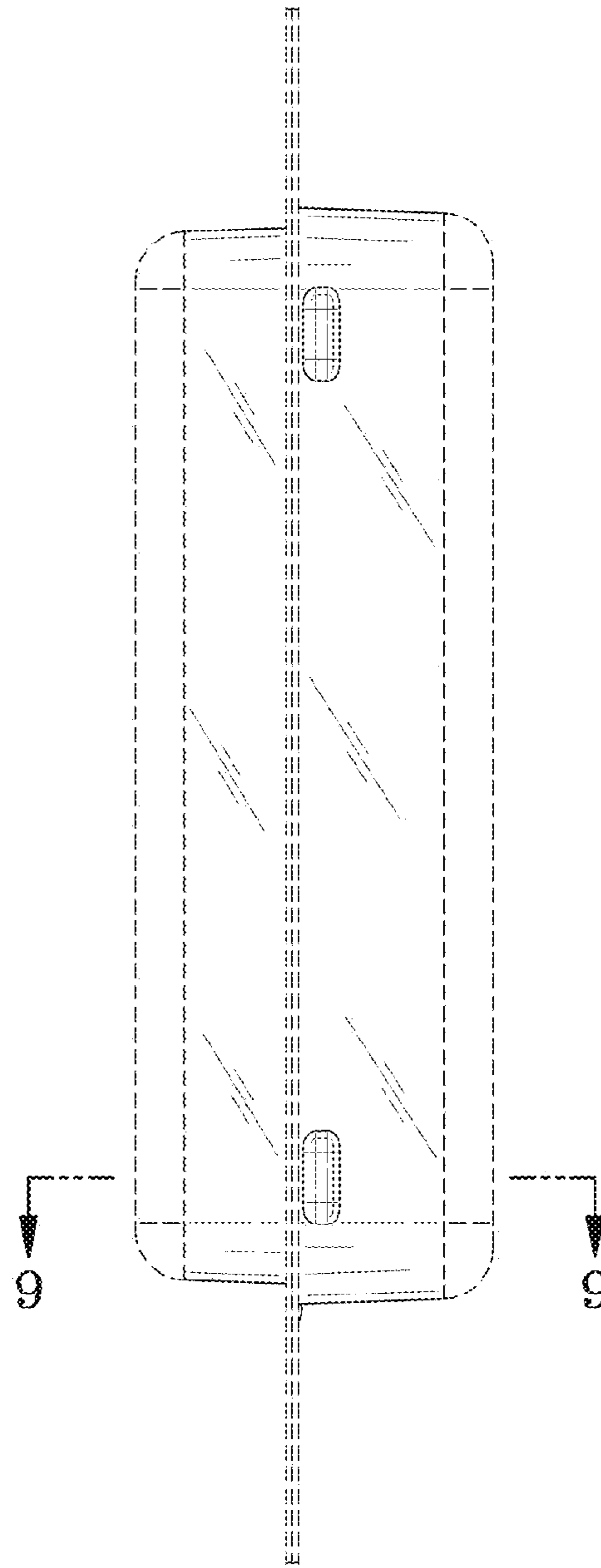


FIG-6

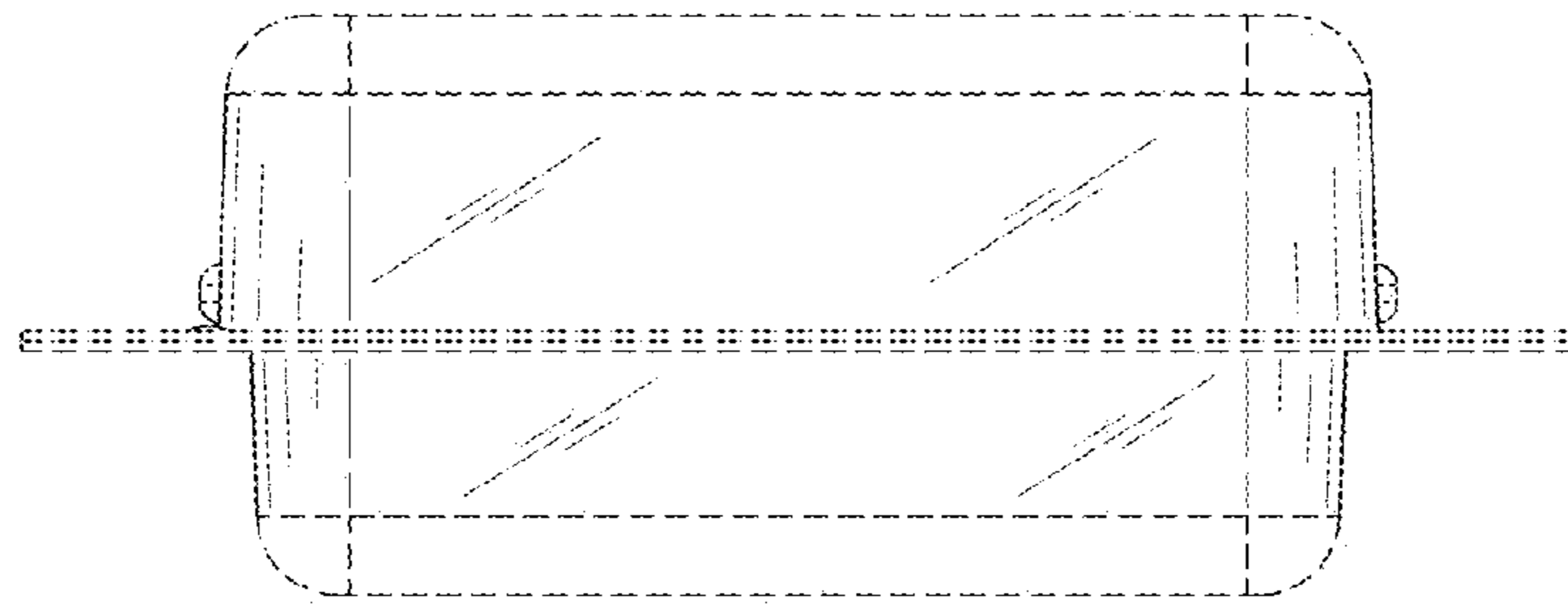


FIG-7

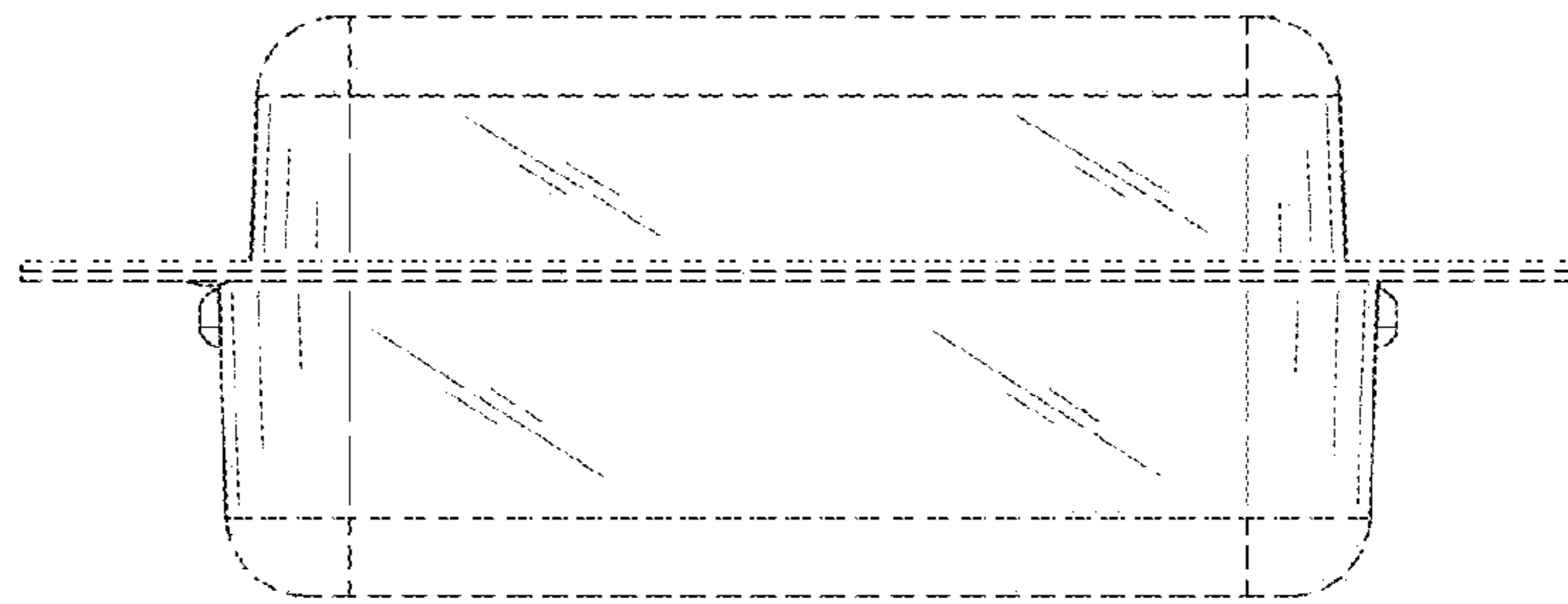


FIG-8

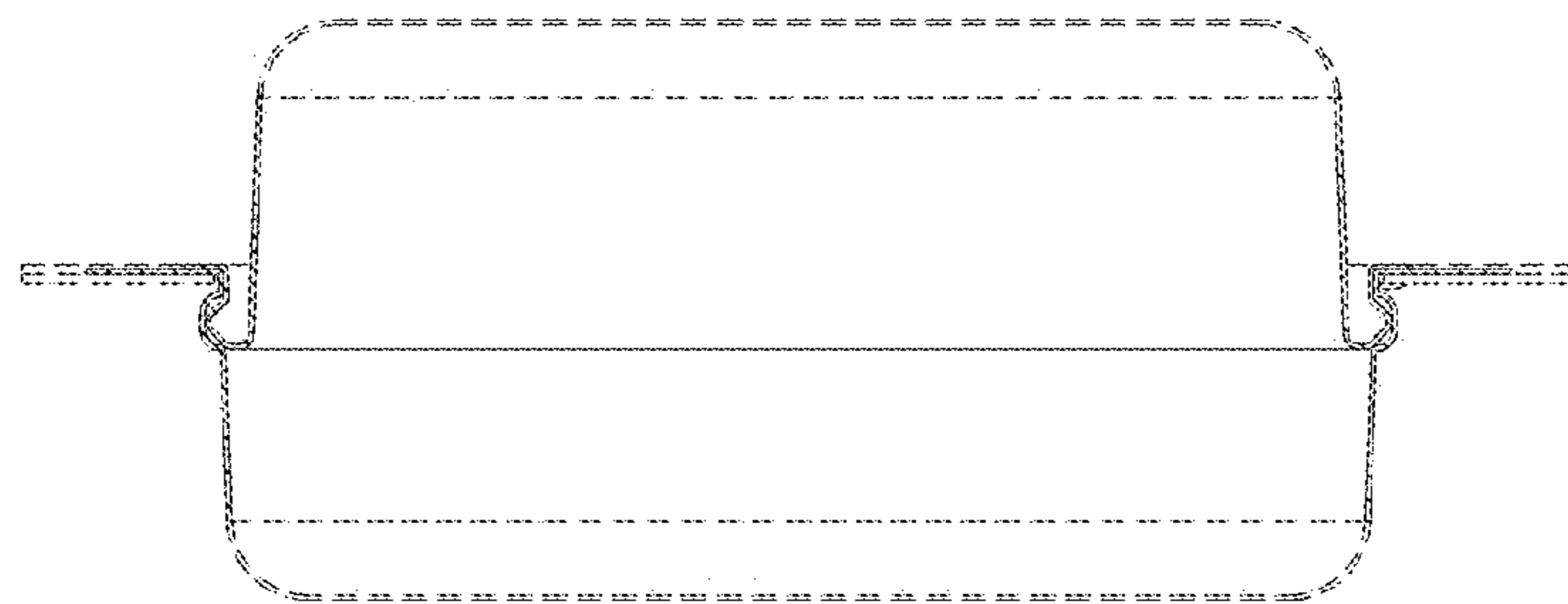


FIG-9

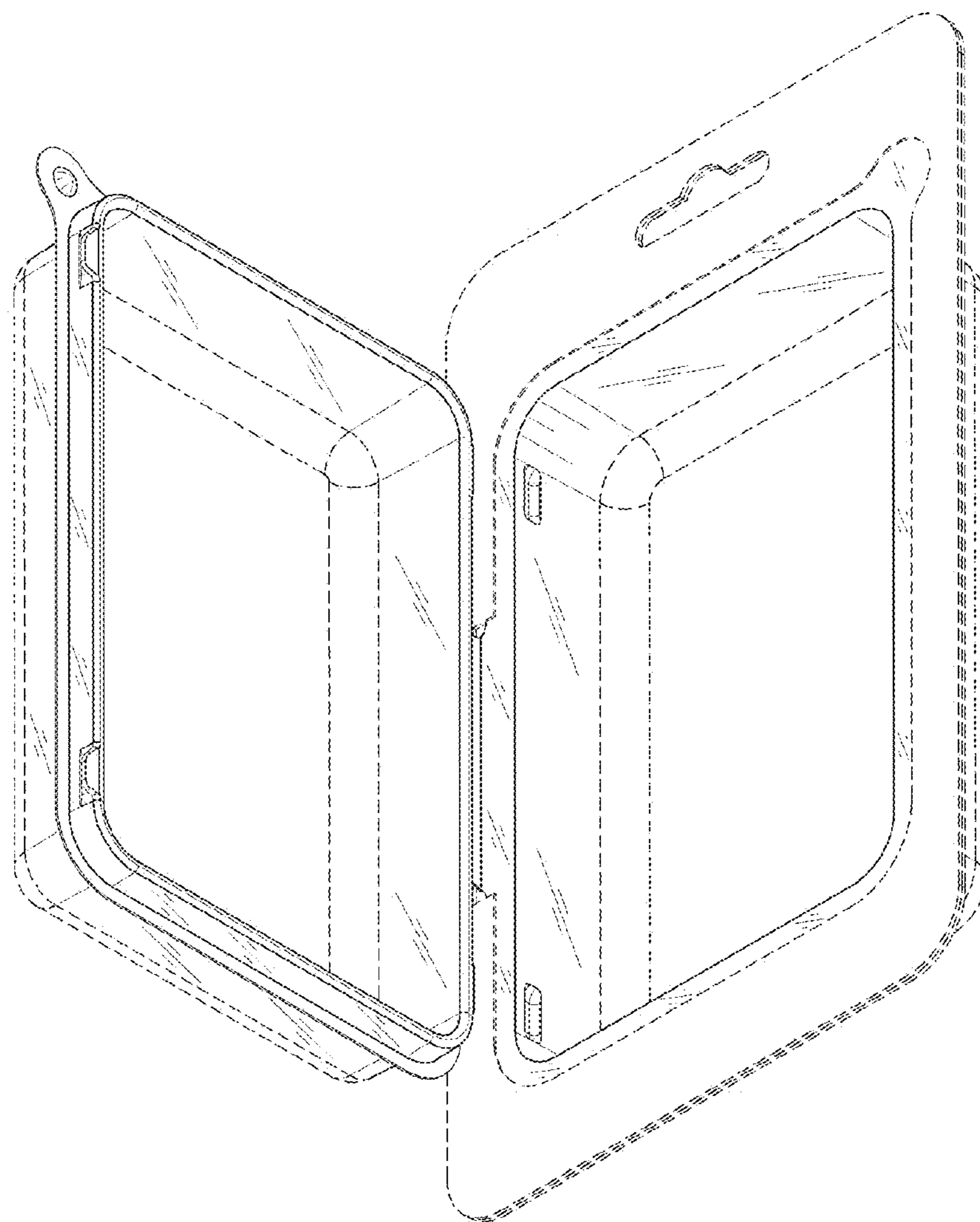


FIG-10

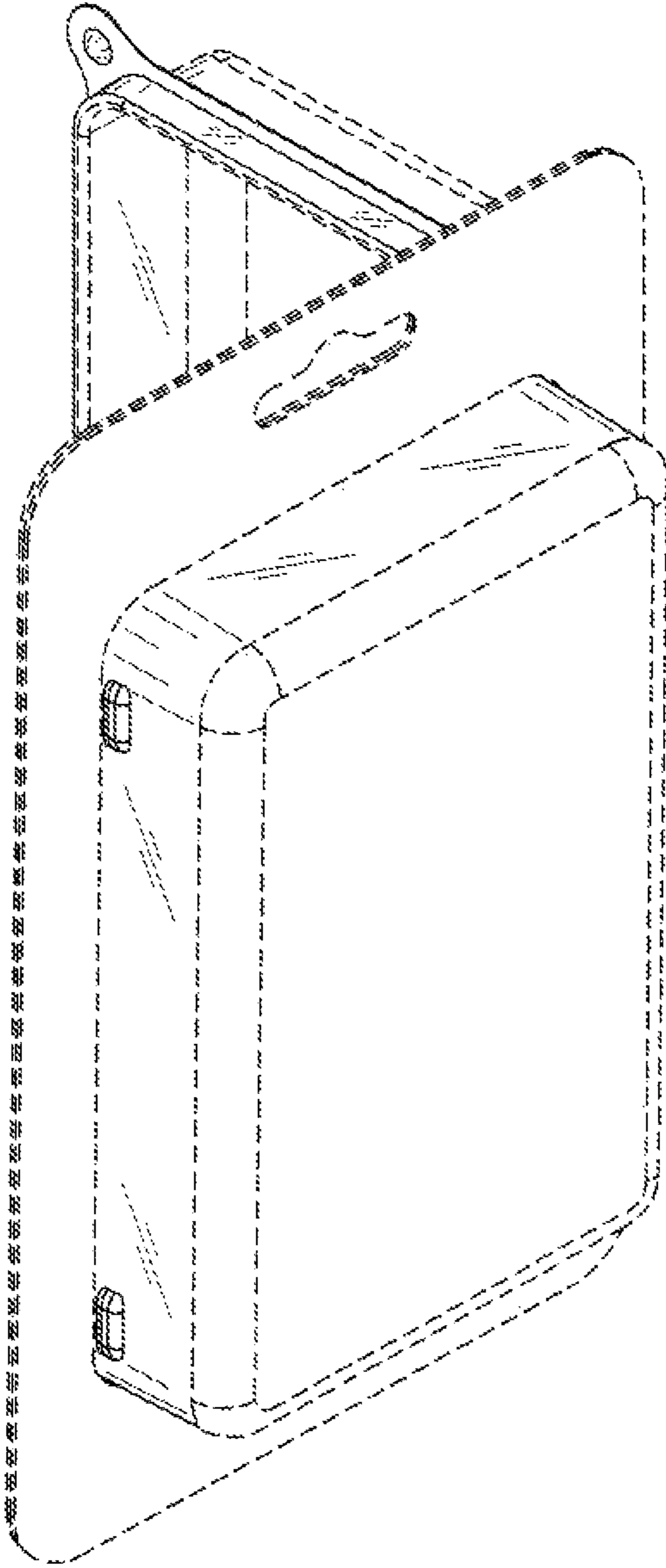


FIG. 11

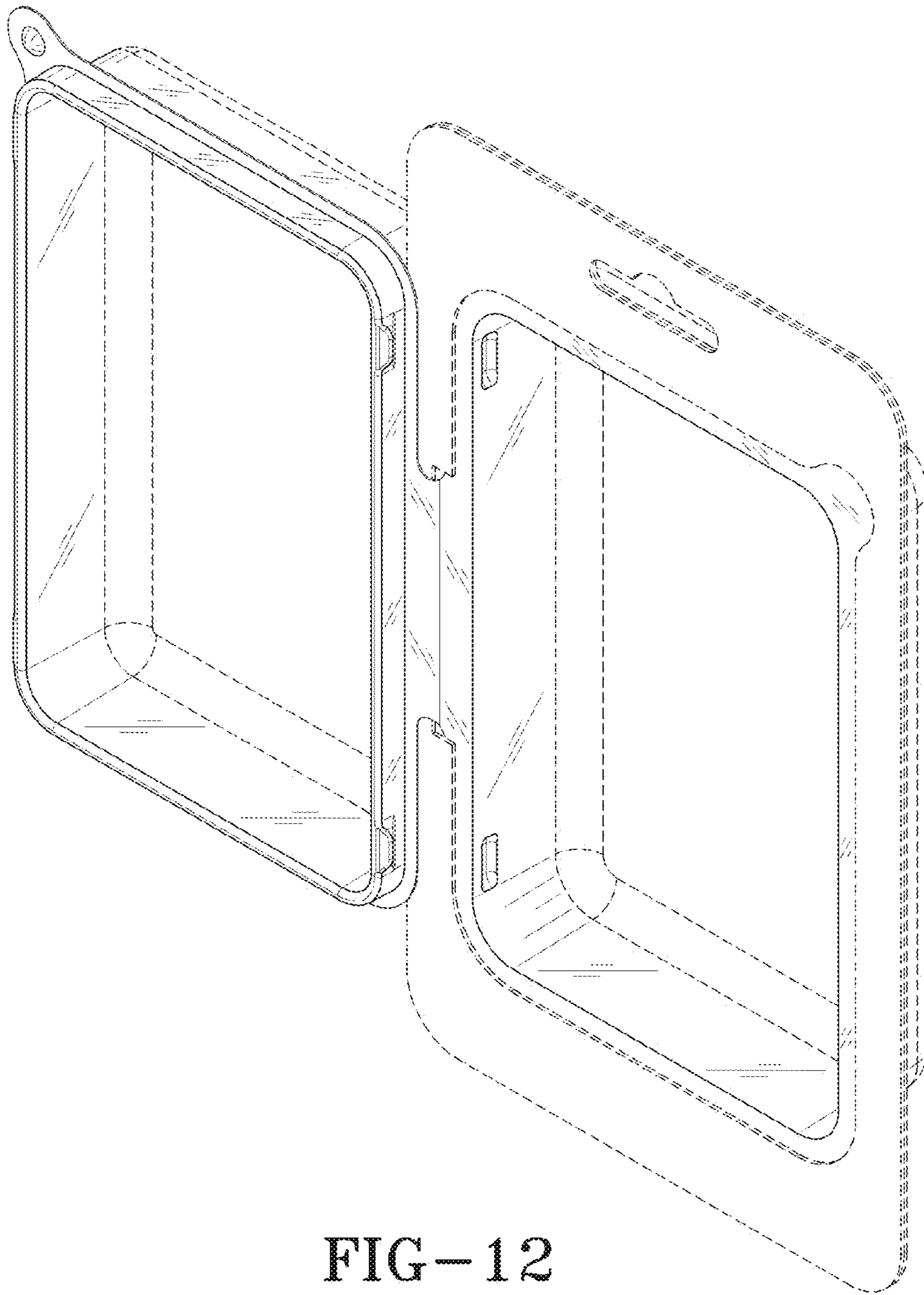


FIG-12