

US00D679178S

(12) **United States Design Patent**
Villiers et al.

(10) **Patent No.:** **US D679,178 S**
(45) **Date of Patent:** **** Apr. 2, 2013**

(54) **PACKAGE**

(75) Inventors: **David Robert Villiers**, London (GB);
Paul Hodges, London (GB)

(73) Assignee: **British American Tobacco (Holdings) Limited**, London (GB)

(**) Term: **14 Years**

(21) Appl. No.: **29/426,934**

(22) Filed: **Jul. 11, 2012**

Related U.S. Application Data

(62) Division of application No. 29/369,393, filed on Sep. 8, 2010.

Foreign Application Priority Data

(30) Mar. 20, 2010 (WO) DM/073 216

(51) **LOC (9) Cl.** **09-03**

(52) **U.S. Cl.** **D9/420; D9/431**

(58) **Field of Classification Search** D9/420,
D9/423, 431, 432, 433, 607; 206/242, 245,
206/265, 266, 268, 271, 273; 229/101, 125.21,
229/125.37, 145, 212, 225, 160.1; D27/186,
D27/189

See application file for complete search history.

(56) **References Cited**

U.S. PATENT DOCUMENTS

D7,109 S	1/1874	Whitman
205,273 A	6/1878	Jonas
516,024 A	3/1894	Schaefer
879,488 A	2/1908	Pitkin
1,574,566 A	2/1926	Fiske
1,669,139 A	5/1928	Martin
D101,608 S	10/1936	Ansehl
D120,557 S	5/1940	Schwarz
2,419,510 A	4/1947	Rosen
2,889,100 A	6/1959	Baker
3,327,887 A	6/1967	Walker
D219,957 S	2/1971	Spahr
3,944,066 A	3/1976	Niepmann

3,977,520 A	8/1976	Grimm
4,015,769 A	4/1977	Erlich
D250,748 S	1/1979	Leger
4,245,771 A	1/1981	Christian
D263,121 S	2/1982	Lowry
D283,310 S	4/1986	Sussman
D296,938 S	7/1988	Ameringen
4,850,482 A	7/1989	Campbell
4,948,038 A	8/1990	Moeller
D320,556 S	10/1991	Fairhurst
5,097,948 A	3/1992	Campbell
D328,427 S	8/1992	Serna
5,160,024 A	11/1992	Evers
D333,781 S	3/1993	Kobel
D347,169 S	5/1994	Bezzerrides et al.
D359,404 S	6/1995	Svee
D364,345 S	11/1995	Prins
5,487,468 A	1/1996	Sheahan

(Continued)

FOREIGN PATENT DOCUMENTS

CL	1364-02	10/2003
CL	1820-03	6/2004

(Continued)

OTHER PUBLICATIONS

<http://thesaurus.maths.org/mmkb/entry.html?jsessionid=16E5ACC94>, Downloaded From Internet Jul. 19, 2011.

(Continued)

Primary Examiner — Thomas Johannes
(74) *Attorney, Agent, or Firm* — Cooley LLP

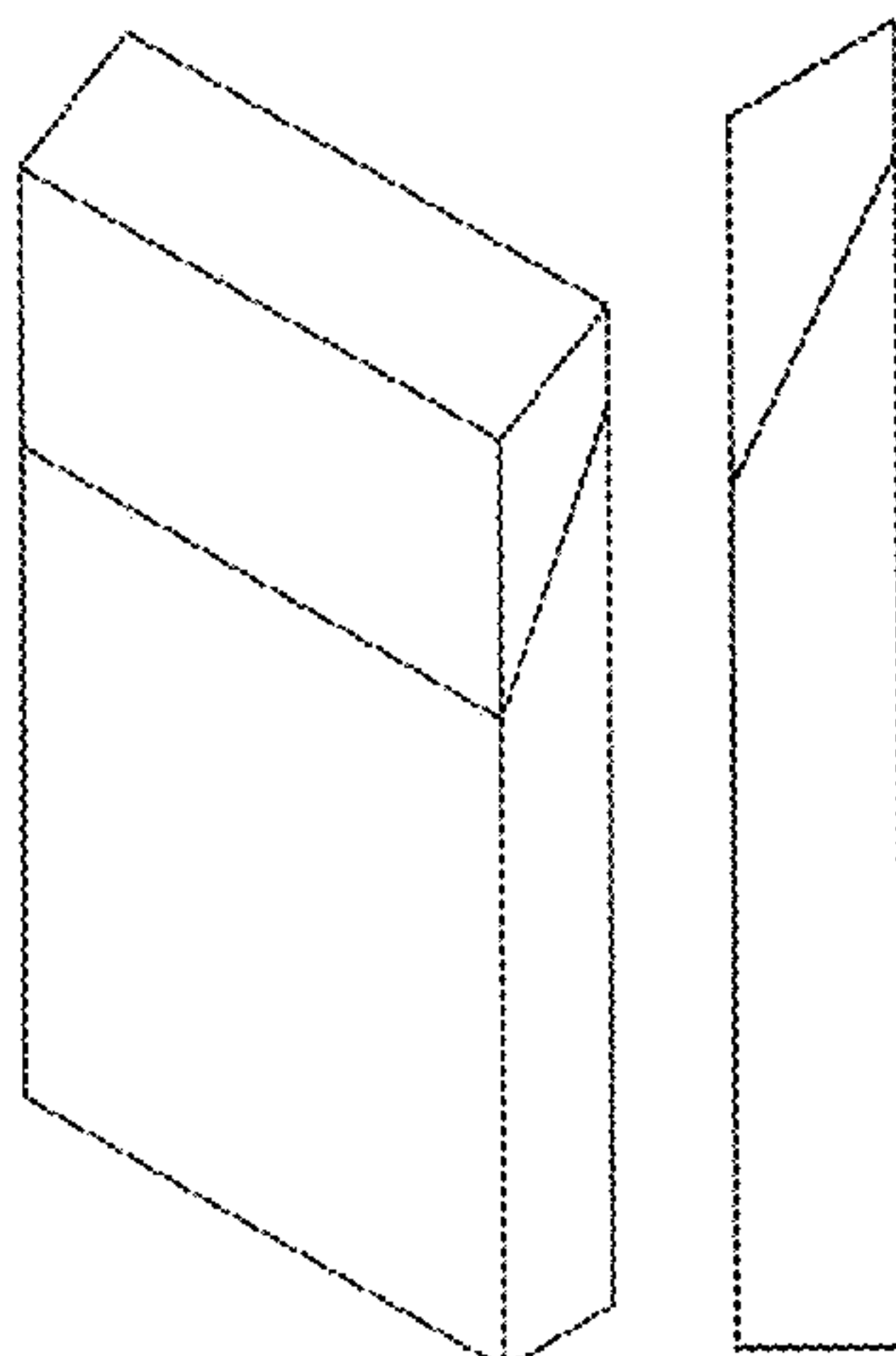
(57) **CLAIM**

The ornamental design for package, as shown and described.

DESCRIPTION

FIG. 1 is a right front top perspective view of a package showing our new design;
FIG. 2 is a front view thereof;
FIG. 3 is a rear view thereof;
FIG. 4 is a right side view thereof, the left side view being a mirror image thereof; and,
FIG. 5 is a top view thereof, the bottom view being a mirror image thereof.

1 Claim, 2 Drawing Sheets



US D679,178 S

Page 2

U.S. PATENT DOCUMENTS

D372,146	S	7/1996	Svee
D382,956	S	8/1997	Collins
D383,633	S	9/1997	Schweitzer
D386,079	S	11/1997	Harper
D393,924	S	4/1998	Wright
5,967,312	A	10/1999	Jacobs
D425,415	S	5/2000	Kumakura et al.
D429,462	S	8/2000	Kumakura et al.
D433,942	S	11/2000	Persson et al.
D454,494	S	3/2002	Bryan et al.
D462,807	S	9/2002	Draghetti
D470,049	S	2/2003	Gray, III
D493,107	S	7/2004	Bergne
D494,760	S	8/2004	Yuan
D494,860	S	8/2004	Bacon
D499,019	S	11/2004	Sagmeister et al.
D506,133	S	6/2005	Goodfellow et al.
D507,484	S	7/2005	Kumakura et al.
D562,126	S	2/2008	Kienemund-Paroll
7,370,756	B2	5/2008	Bray et al.
7,395,924	B2	7/2008	Tambo
D575,636	S	8/2008	Krautter
D579,325	S	10/2008	Bray et al.
7,455,177	B2	11/2008	Serafini et al.
D591,899	S	5/2009	Bray et al.
D593,406	S	6/2009	Verebelyi et al.
D601,747	S	10/2009	Tabrah
7,604,117	B2	10/2009	Bourgoin et al.
D607,316	S	1/2010	Verebelyi et al.
D617,636	S	6/2010	Vanhoutte
D629,684	S	12/2010	Drury
2012/0006823	A1	1/2012	Bertuzzi et al.

FOREIGN PATENT DOCUMENTS

CL	331-08	7/2008
EM	000174644	5/2004
EM	000360557-0001	8/2005
EM	1001465-01	9/2008
EM	1001465-02	9/2008
EM	1001465-03	9/2008
EM	000771928-02	2/2010
ES	1065608	10/2007
GB	2028197	1/1993
GB	2035379	11/1993
GB	2087212	10/1999
GB	2093322	11/1999
GB	3011563	3/2003
GB	3014108	8/2003
GB	4005385	11/2007
WO	DM/064817	12/2003

OTHER PUBLICATIONS

http://capsicum.me.utexas.edu/ChE386K/html/volume_unit_cell.htm, Downloaded From Internet Jul. 19, 2011.

Official Action, issued for Chilean Application No. 953-10, filed Sep. 8, 2010.

Official Action, issued for Chilean Application No. 954-10, filed Sep. 8, 2010.

Official Action, issued for Chilean Application No. 955-10, filed Sep. 8, 2010.

Official Action, issued for Chilean Application No. 956-10, filed Sep. 8, 2010.

Official Action, issued for Chilean Application No. 957-10, filed Sep. 8, 2010.

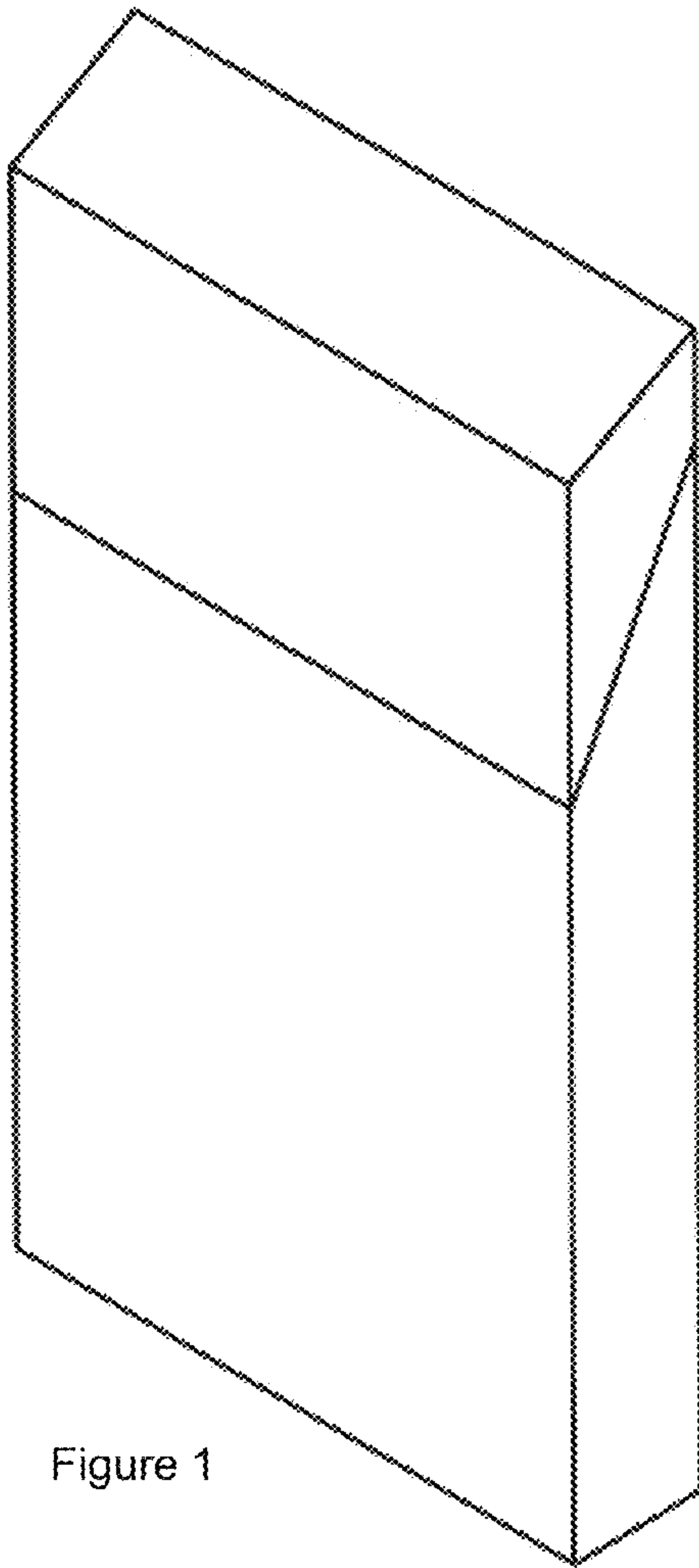


Figure 1

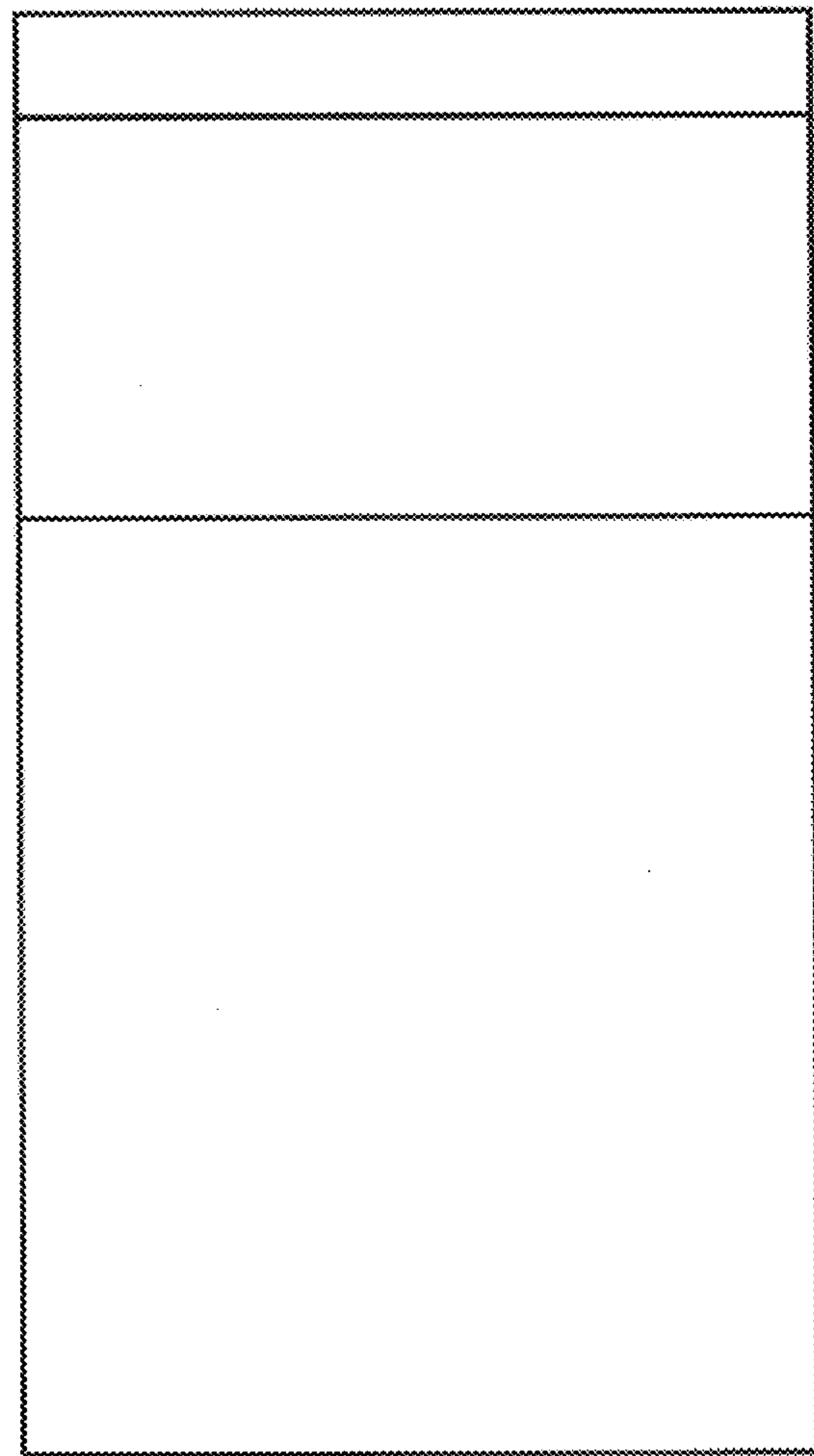


Figure 2

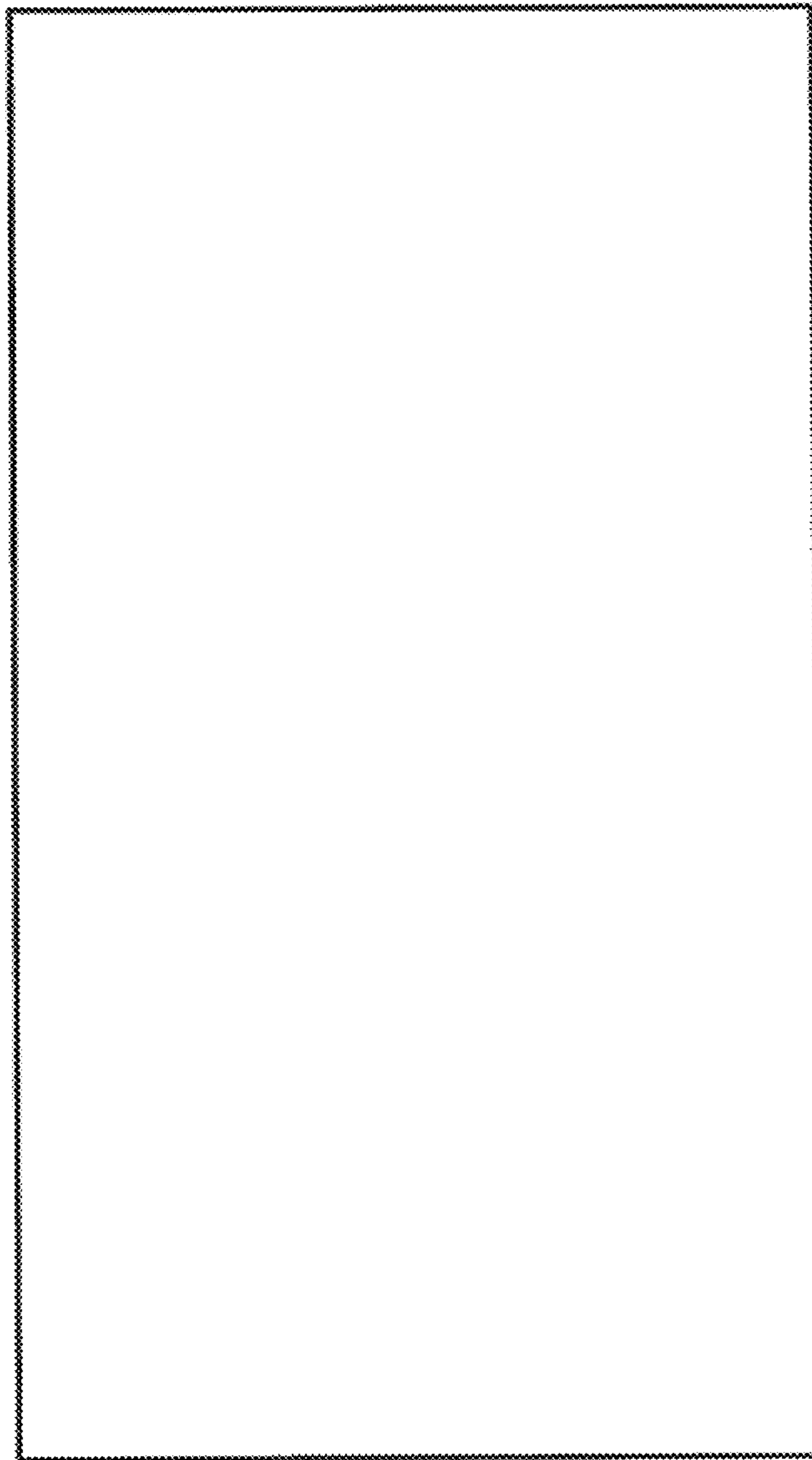


Figure 3



Figure 4



Figure 5

UNITED STATES PATENT AND TRADEMARK OFFICE
CERTIFICATE OF CORRECTION

PATENT NO. : D679,178 S
APPLICATION NO. : 29/426934
DATED : April 2, 2013
INVENTOR(S) : David Robert Villiers et al.

Page 1 of 1

It is certified that error appears in the above-identified patent and that said Letters Patent is hereby corrected as shown below:

On the title page:

Under “(30) Foreign Application Priority Data”

please delete “Mar. 20, 2010” and replace with -- Mar. 8, 2010 --

Signed and Sealed this
Twelfth Day of November, 2013



Teresa Stanek Rea
Deputy Director of the United States Patent and Trademark Office