



US00D679176S

(12) **United States Design Patent**
Tedesco et al.

(10) **Patent No.:** **US D679,176 S**

(45) **Date of Patent:** **** Apr. 2, 2013**

(54) **CLIP FOR SUSPENDED CEILING**

(75) Inventors: **Lee Matthew Tedesco**, Shorewood, IL (US); **James Joseph Lehane**, McHenry, IL (US)

(73) Assignee: **USG Interiors, LLC**, Chicago, IL (US)

(**) Term: **14 Years**

(21) Appl. No.: **29/420,527**

(22) Filed: **May 10, 2012**

(51) **LOC (9) Cl.** **08-08**

(52) **U.S. Cl.** **D8/394; D8/380**

(58) **Field of Classification Search** D8/356,
D8/371, 394-396, 380; 24/570; 248/74.2,
248/215, 227.1, 49, 300, 301, 316.7, 51,
248/489; D19/65, 56; 52/484, 489, 506.06,
52/506.07, 733.1; D23/133, 134
See application file for complete search history.

(56) **References Cited**

U.S. PATENT DOCUMENTS

2,611,160	A *	9/1952	Hanesse	403/237
4,932,173	A *	6/1990	Commins	52/92.2
D312,783	S *	12/1990	Sharp	D9/434
5,349,800	A *	9/1994	Peng	52/506.06
5,941,029	A *	8/1999	MacLeod	52/167.1
6,209,268	B1 *	4/2001	Schmidt	52/92.1
D479,797	S *	9/2003	Wall	D8/382
6,837,019	B2 *	1/2005	Collie	52/712
D606,379	S *	12/2009	Hughes	D8/72
D611,332	S *	3/2010	Tedesco et al.	D8/380
7,770,349	B2 *	8/2010	Tedesco et al.	52/506.08
D628,460	S *	12/2010	Seitz	D8/354
D637,899	S *	5/2011	Tedesco et al.	D8/394
D638,288	S *	5/2011	Tedesco et al.	D8/394

D638,289	S *	5/2011	Tedesco et al.	D8/394
D656,006	S *	3/2012	Underkoffler et al.	D8/394
D661,576	S *	6/2012	Mathur	D8/394
D662,404	S *	6/2012	Zhang et al.	D8/394
D662,405	S *	6/2012	Zhang et al.	D8/394
D662,406	S *	6/2012	Zhang et al.	D8/394
D662,407	S *	6/2012	Mathur	D8/394
D662,408	S *	6/2012	Mathur	D8/394
D662,809	S *	7/2012	Zhang et al.	D8/394
D664,029	S *	7/2012	Mathur	D8/394
D667,718	S *	9/2012	Preda	D8/354
D670,159	S *	11/2012	Bitarchas et al.	D8/394
2009/0223146	A1	9/2009	Platt		
2010/0005747	A1 *	1/2010	Tedesco et al.	52/506.08
2011/0146194	A1 *	6/2011	Tedesco et al.	52/665

FOREIGN PATENT DOCUMENTS

WO 2009086298 A1 7/2009

* cited by examiner

Primary Examiner — John Windmuller

(74) *Attorney, Agent, or Firm* — Pearne & Gordon LLP

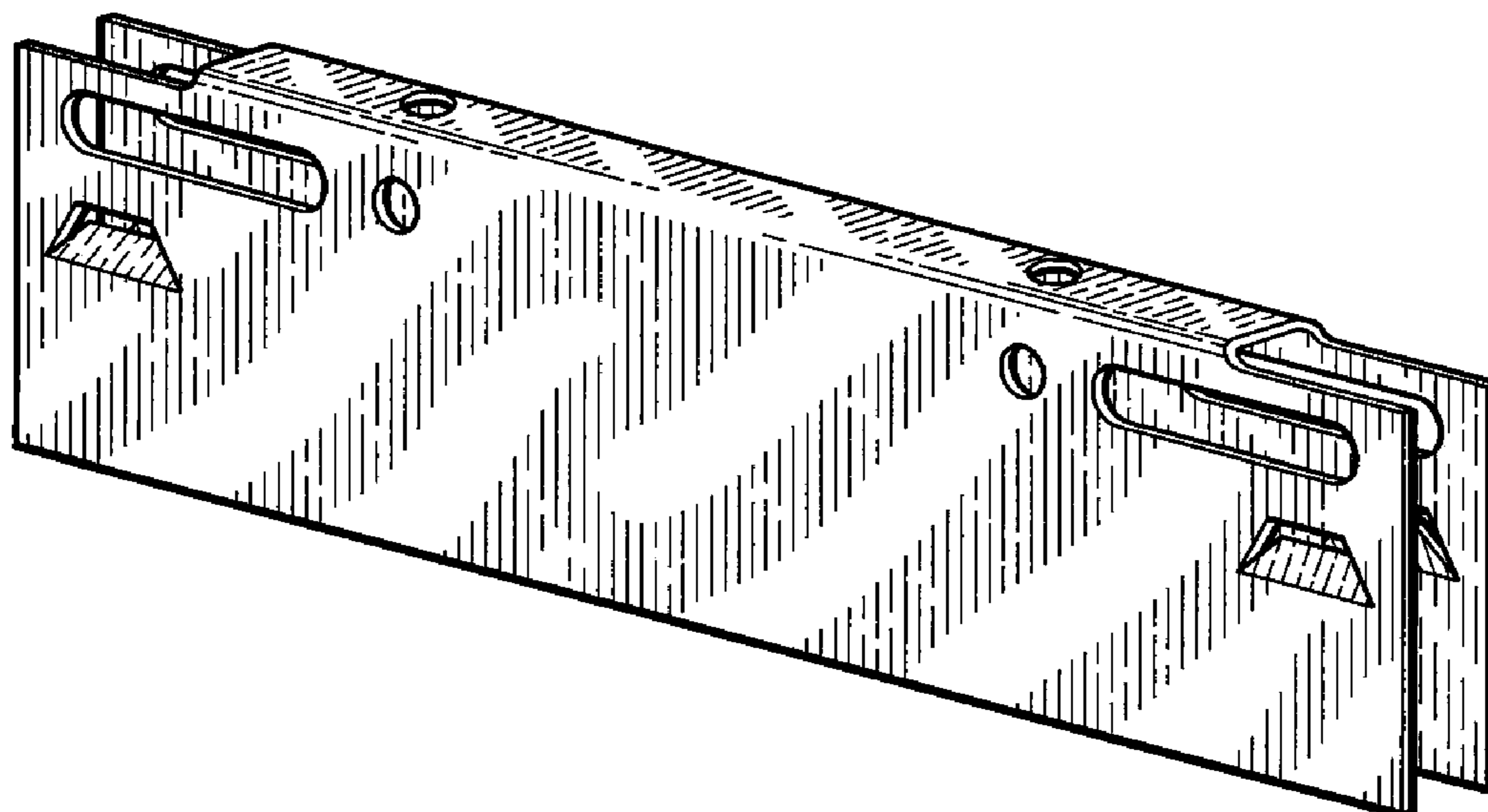
(57) **CLAIM**

The ornamental design for a clip for suspended ceilings, as shown and described.

DESCRIPTION

FIG. 1 is a top perspective view of a clip for suspended ceilings showing our new design; FIG. 2 is a left side view of same, which is symmetrical to the right side view; FIG. 3 is a front view of same, which is symmetrical to the back view; FIG. 4 is a top view of same; and, FIG. 5 is a bottom view of same.

1 Claim, 2 Drawing Sheets



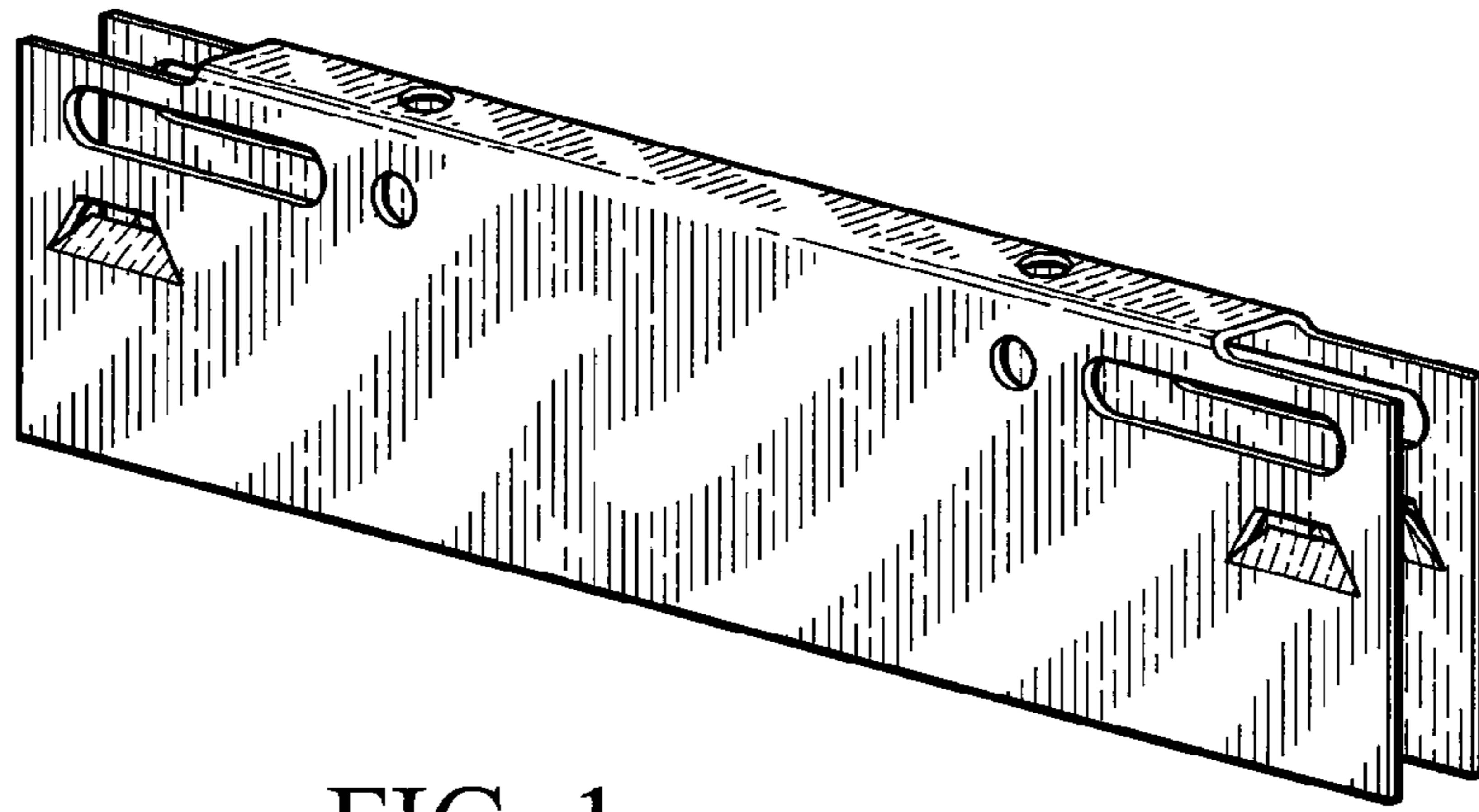


FIG. 1

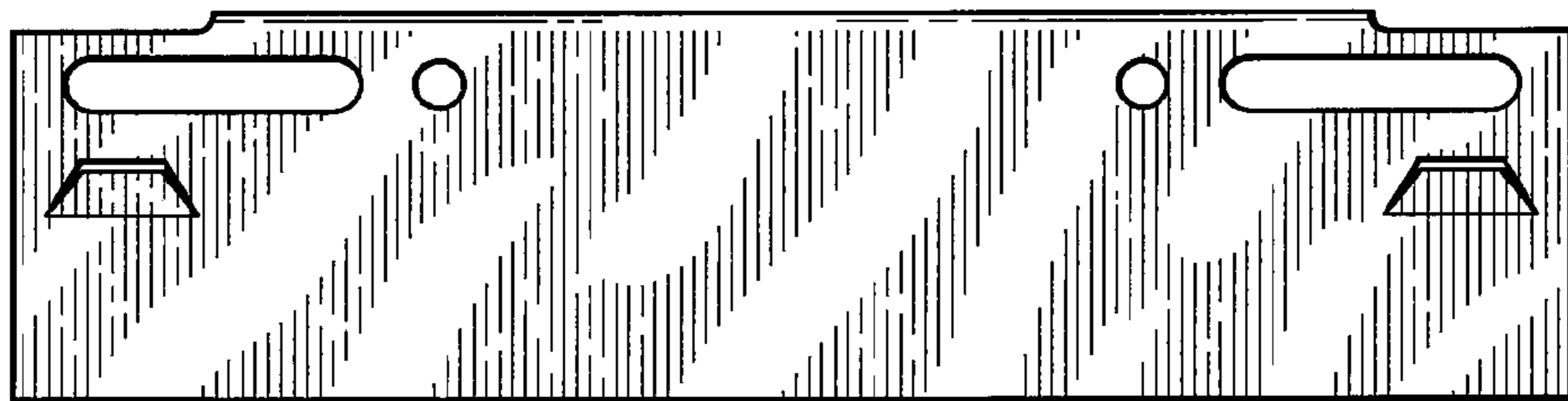


FIG. 2



FIG. 3



FIG. 4



FIG. 5